



US00D414276S

United States Patent [19]

Bruno et al.

[11] Patent Number: **Des. 414,276**

[45] Date of Patent: **** Sep. 21, 1999**

[54] **CONSTRUCTION UNIT**

[75] Inventors: **Sture Bruno, Rönninge; Birger Eliasson, Mörsil, both of Sweden**

[73] Assignee: **Global Float Systems AB, Stockholm, Sweden**

[**] Term: **14 Years**

[21] Appl. No.: **29/079,472**

[22] Filed: **Nov. 13, 1997**

[30] Foreign Application Priority Data

May 13, 1997 [SE] Sweden 97-1087

[51] **LOC (6) Cl.** **25-01**

[52] **U.S. Cl.** **D25/113; D21/488**

[58] **Field of Search** D21/108, 109, D21/59, 124, 125, 141; 446/85, 90, 93-96, 102-103, 105, 108, 111, 120, 121, 124-125, 128; D25/113-118; 52/592.1, 592.2-592.6, 604, 608, 609

[56] References Cited

U.S. PATENT DOCUMENTS

D. 196,362 9/1963 Bassetti D25/116
D. 214,745 7/1969 Walker D21/108
D. 307,792 5/1990 Poulsen D25/117

D. 324,704 3/1992 Lawson et al. D21/108
D. 370,503 6/1996 Burns D21/108
D. 392,749 3/1998 Murray et al. D25/113
2,902,821 9/1959 Kelly, Jr. 446/120
3,310,906 3/1967 Glukes 446/95
3,834,182 9/1974 Trask D21/108
5,073,138 12/1991 Klitsner et al. 446/103
5,137,485 8/1992 Penner 446/126
5,653,621 8/1997 Yao 446/128

Primary Examiner—Raphael Barkai
Attorney, Agent, or Firm—Young & Thompson

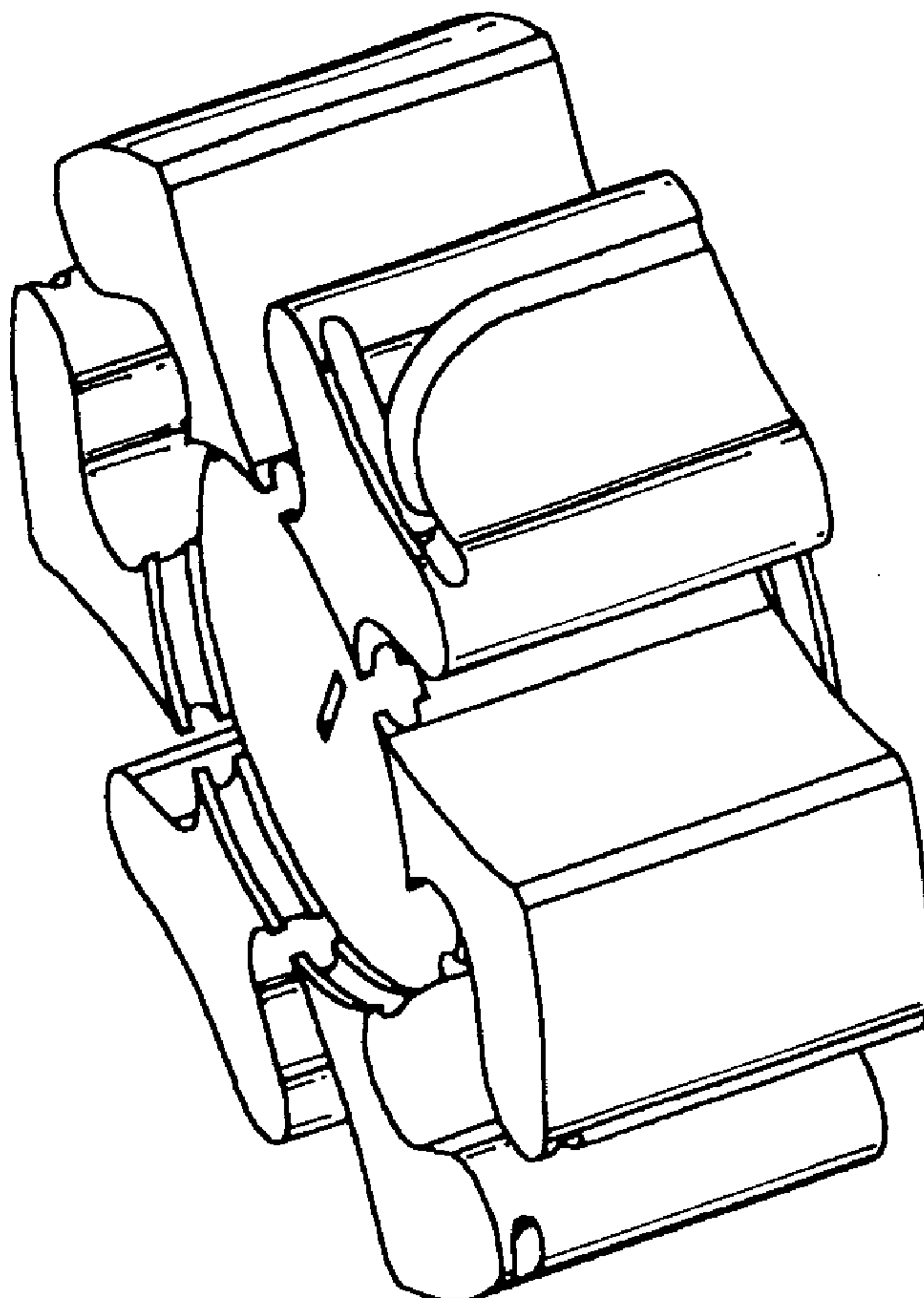
[57] CLAIM

The ornamental design for a construction unit, as shown and described.

DESCRIPTION

FIG. 1 is a side and bottom perspective view of a construction unit, showing our new design;
FIG. 2 is a side and top perspective view thereof;
FIG. 3 is a bottom plan view thereof;
FIG. 4 is a side elevational view thereof;
FIG. 5 is a side elevational view thereof;
FIG. 6 is a top plan view thereof;
FIG. 7 is a side elevational view thereof, seen from the side opposite that shown in FIG. 5; and,
FIG. 8 is a side elevational view, seen from the side opposite that shown in FIG. 4.

1 Claim, 1 Drawing Sheet



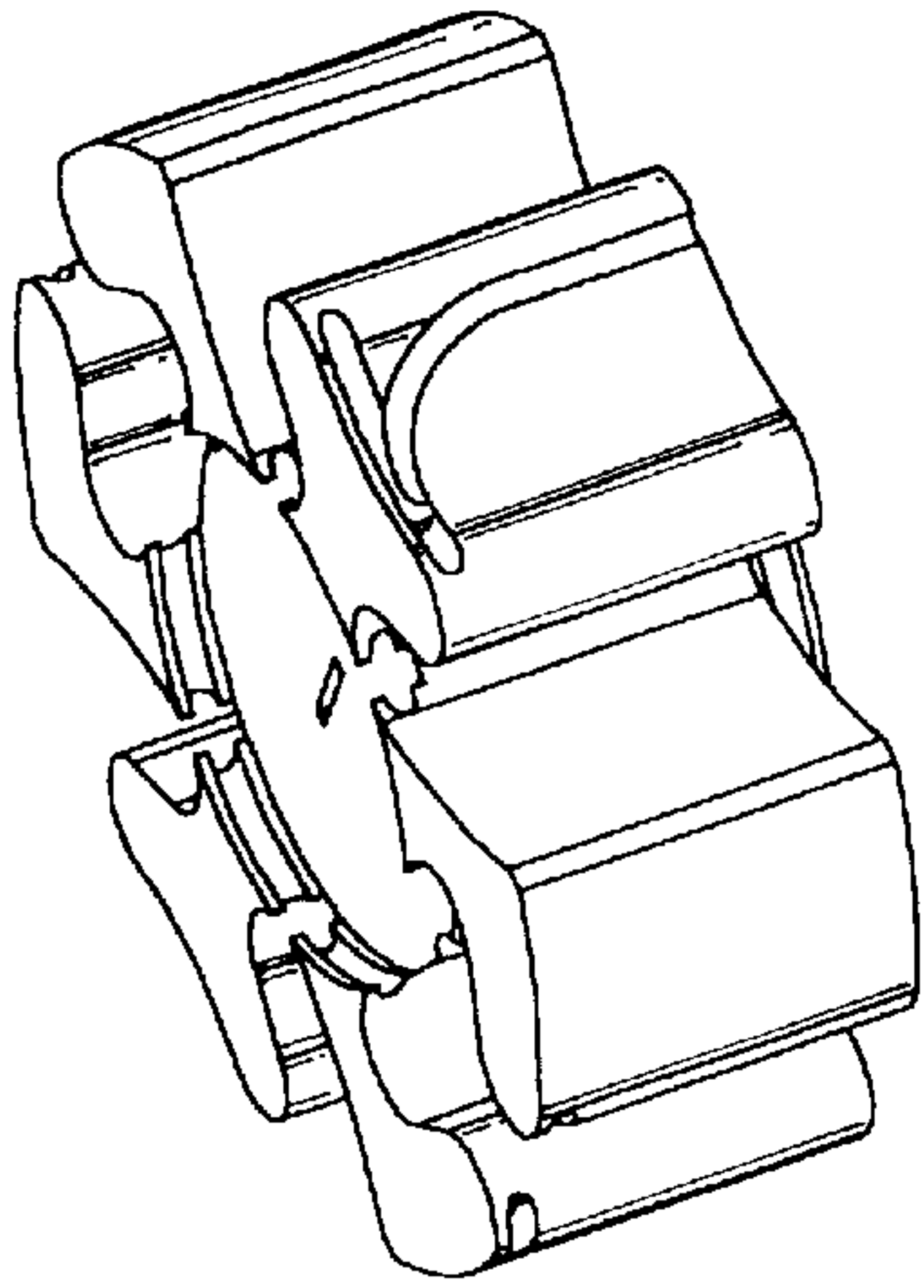


FIG. 1

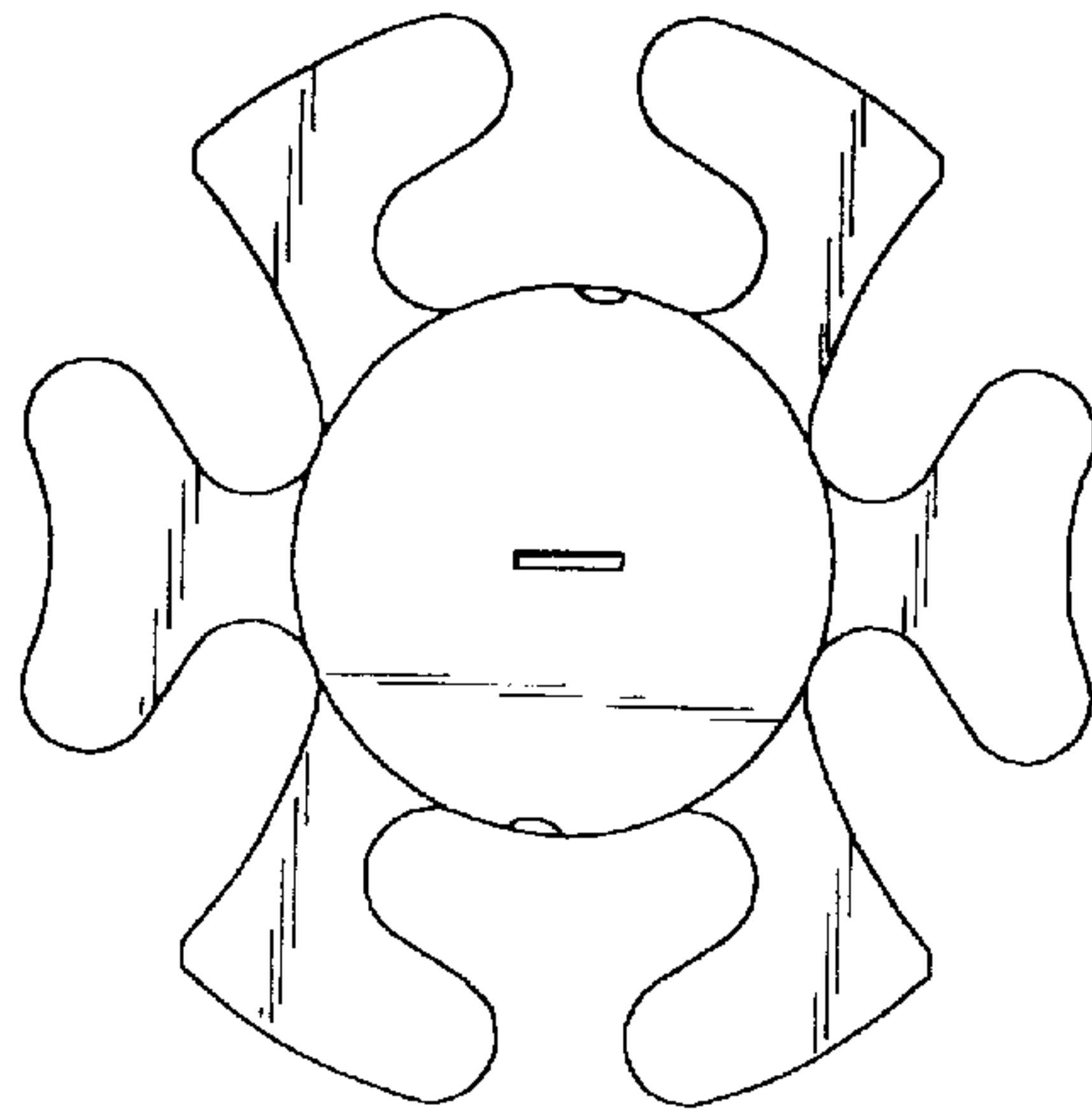


FIG. 3

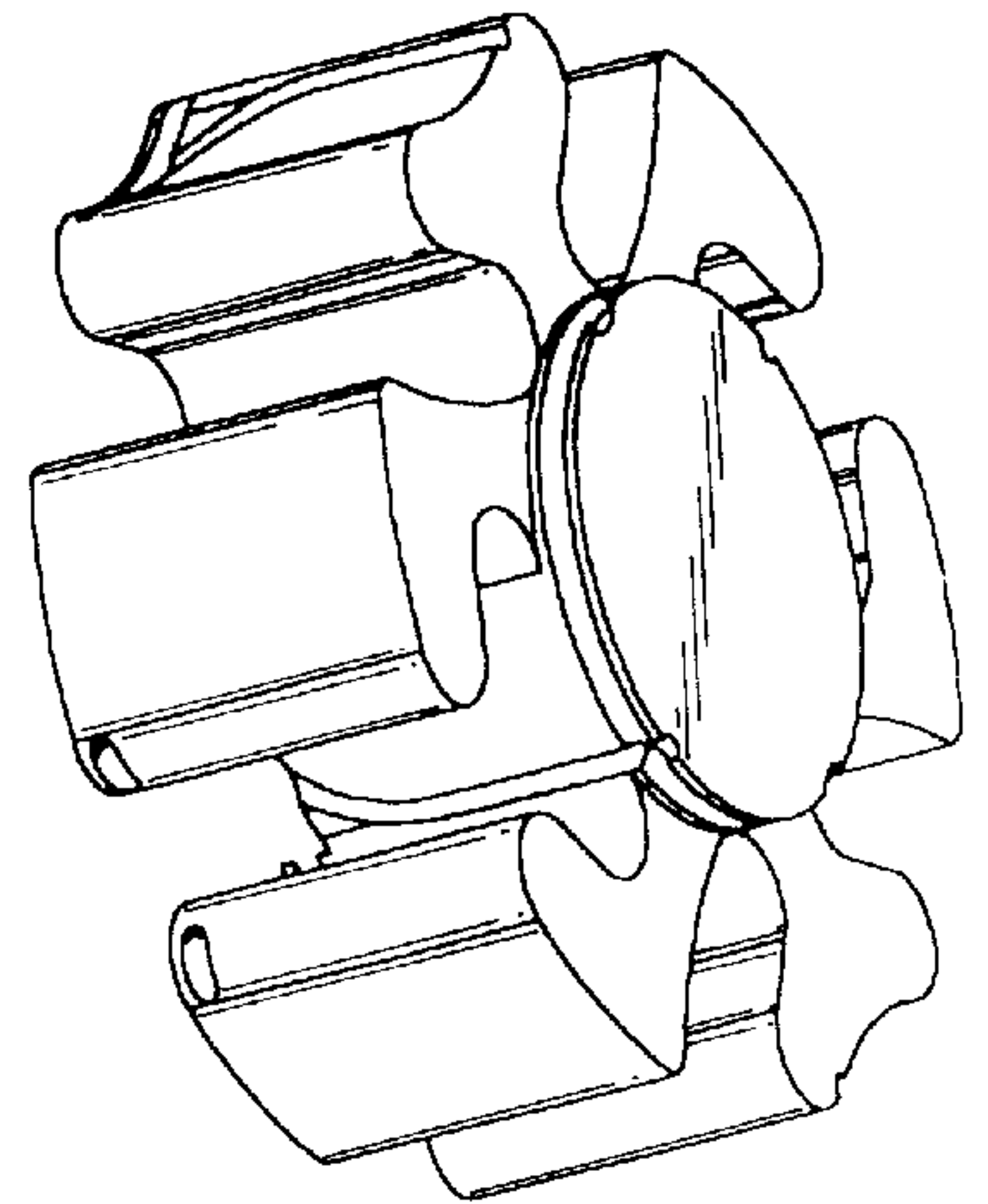


FIG. 2

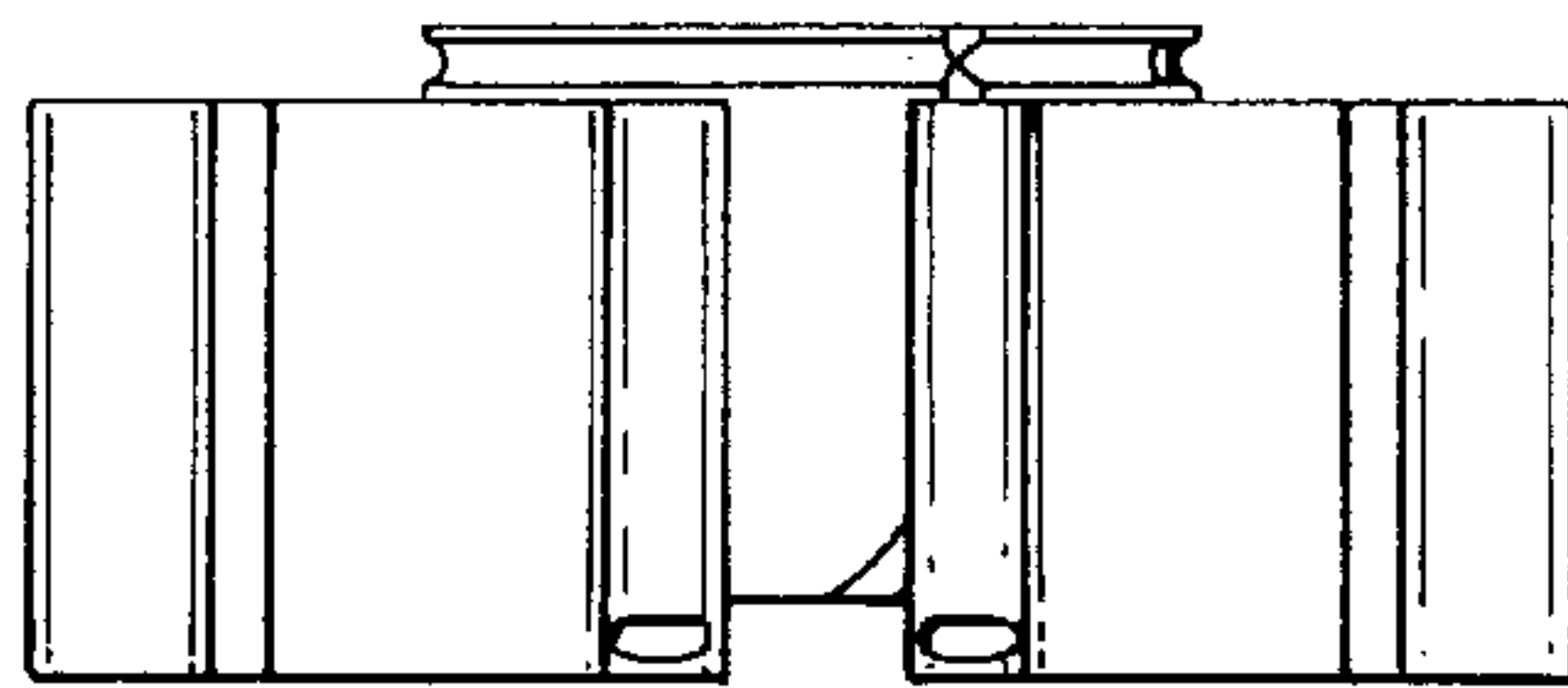


FIG. 4

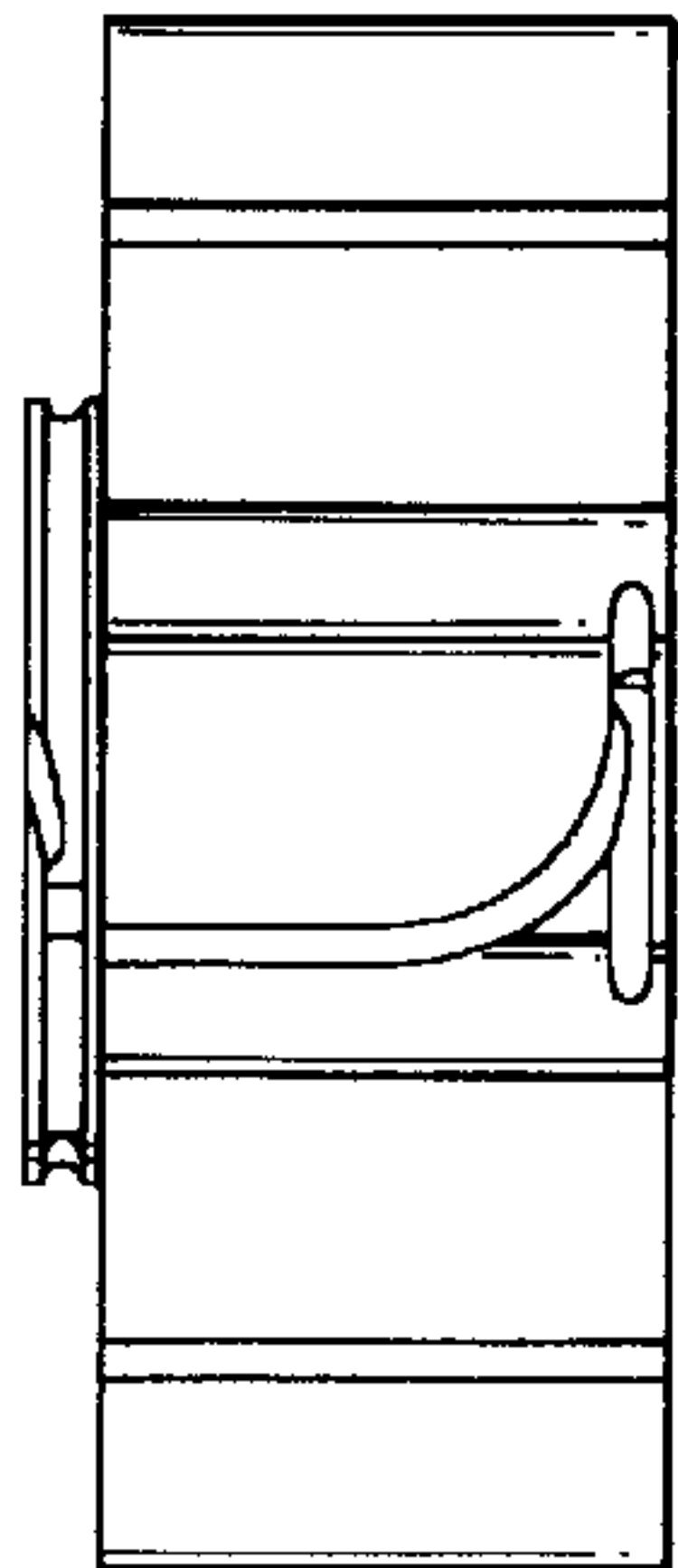


FIG. 5

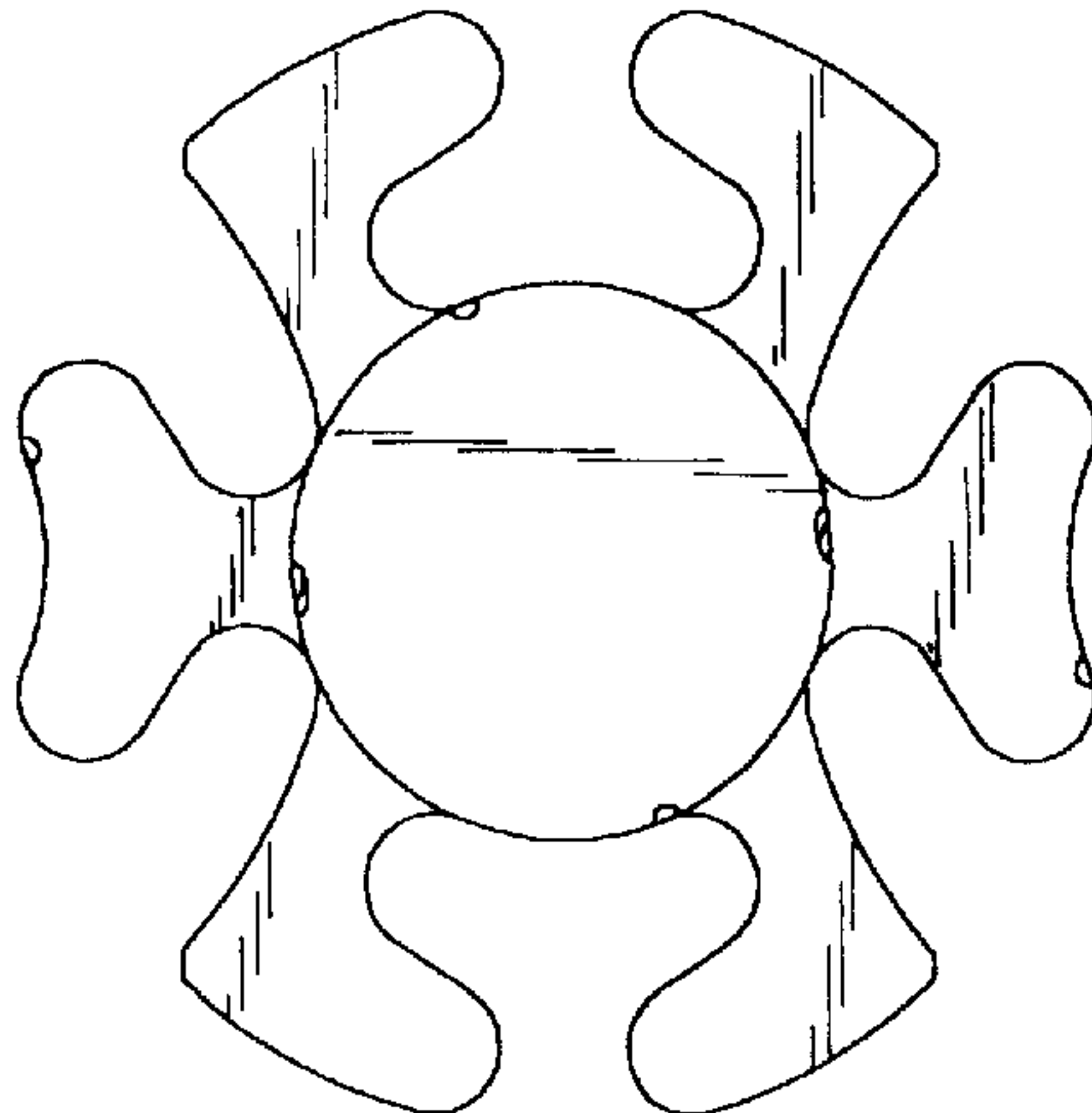


FIG. 6

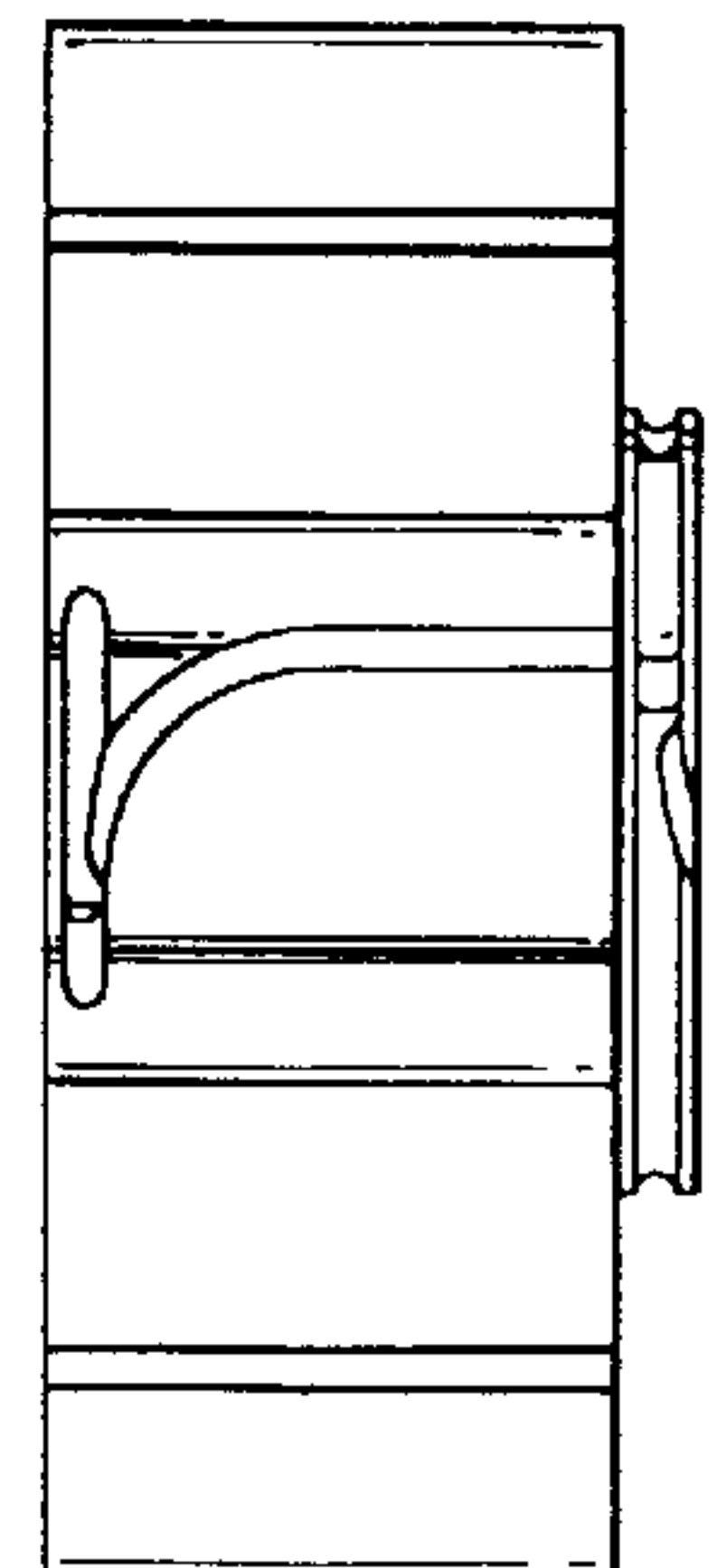


FIG. 7

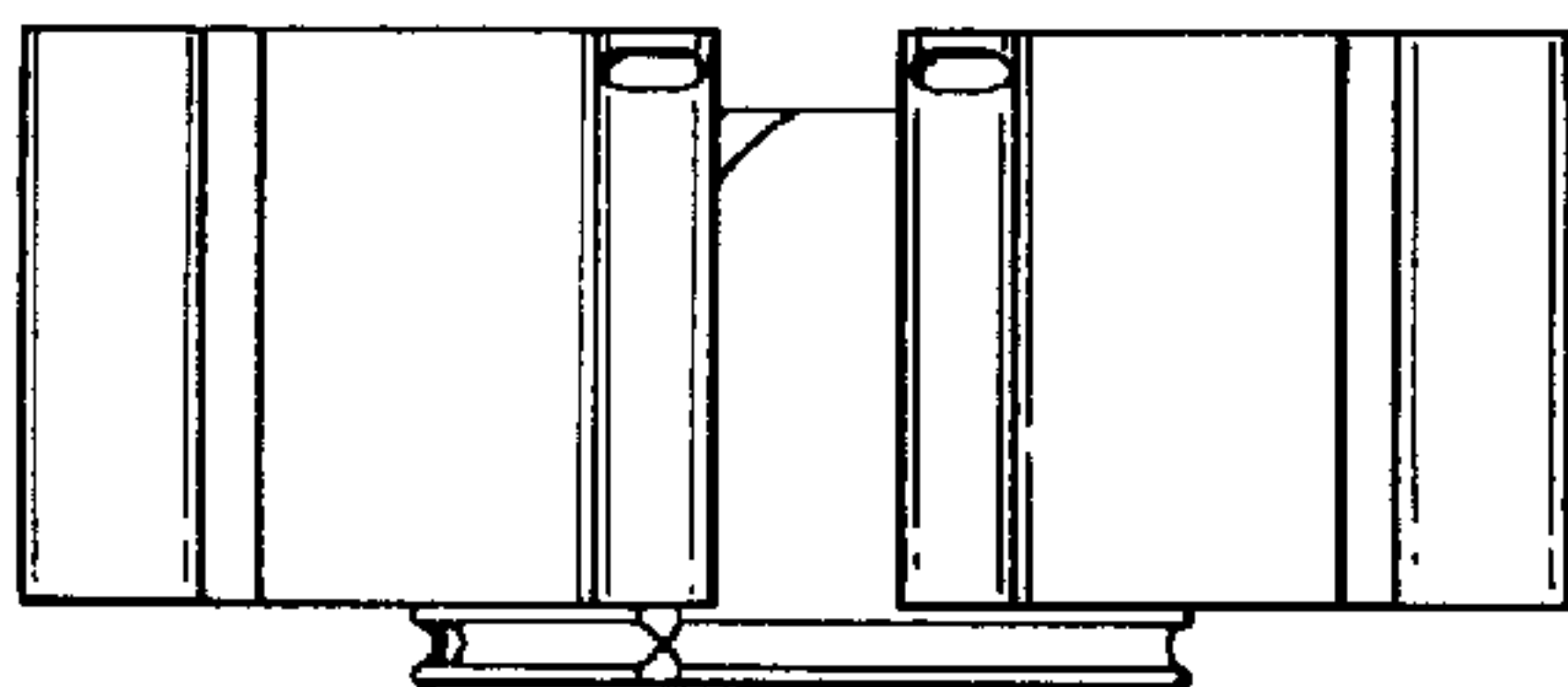


FIG. 8