



US00D414271S

United States Patent [19]
Mendoza

[11] **Patent Number: Des. 414,271**
[45] **Date of Patent: ** Sep. 21, 1999**

[54] **REACTION VESSEL FOR COMBINING CHEMICALS**

[75] Inventor: **Jose S. Mendoza**, Durham, N.C.

[73] Assignee: **Eli Lilly and Company**, Indianapolis, Ind.

[**] Term: **14 Years**

[21] Appl. No.: **29/066,044**

[22] Filed: **Feb. 3, 1997**

[51] **LOC (6) Cl.** **24-02**

[52] **U.S. Cl.** **D24/224; D24/227; D24/230**

[58] **Field of Search** D24/216, 223, D24/224, 227, 229, 230; 422/102, 104; D9/341; 211/73, 60.1, 74; 435/809

[56] **References Cited**

U.S. PATENT DOCUMENTS

D. 276,271	11/1984	Boris	D24/226
D. 283,162	3/1986	Godsey	D24/226
D. 302,207	7/1989	Matkovitch	D24/226
D. 369,415	4/1996	Boulton et al.	D24/224
4,154,795	5/1979	Thorne	422/102
4,761,378	8/1988	Godsey	422/102
5,487,872	1/1996	Hafeman et al.	422/102
5,494,830	2/1996	Hubscher	422/102
5,679,310	10/1997	Manns	422/102

OTHER PUBLICATIONS

Beckman Bulletin No. 9200, *The Beckman Plus Science Support Solutions* (1992-93), p. 15.

The Fischer Scientific Company catalog. p. 1698 Straight-Sided Shell Vial with Plain Top (bottom left of page), Dec. 1994.

Primary Examiner—Louis S. Zarfes
Assistant Examiner—Gregory Andoll
Attorney, Agent, or Firm—Baker & Daniels

[57] **CLAIM**

The ornamental design for a reaction vessel for combining chemicals, as shown and described.

DESCRIPTION

FIG. 1 is a perspective view of the reaction vessel for combining chemicals showing my new design;

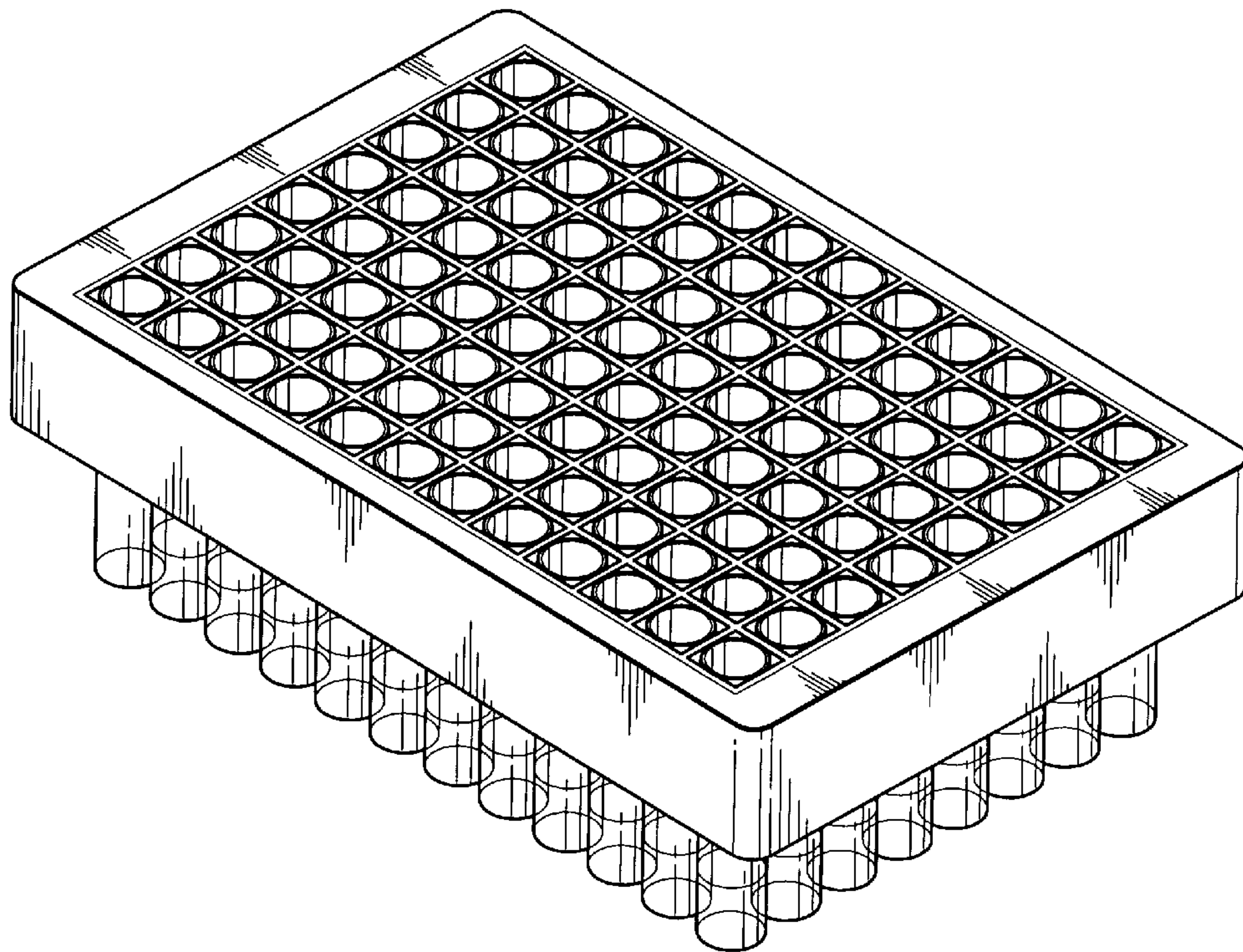
FIG. 2 is a top view of the reaction vessel for combining chemicals shown in FIG. 1;

FIG. 3 is a bottom view of the reaction vessel for combining chemicals shown in FIG. 1;

FIG. 4 is a front view of the reaction vessel for combining chemicals shown in FIG. 1, and further is a rear view of the reaction vessel for combining chemicals shown in FIG. 1; and,

FIG. 5 is a right side view of the reaction vessel for combining chemicals shown in FIG. 1, and further is a left side view of the reaction vessel for combining chemicals shown in FIG. 1.

1 Claim, 3 Drawing Sheets



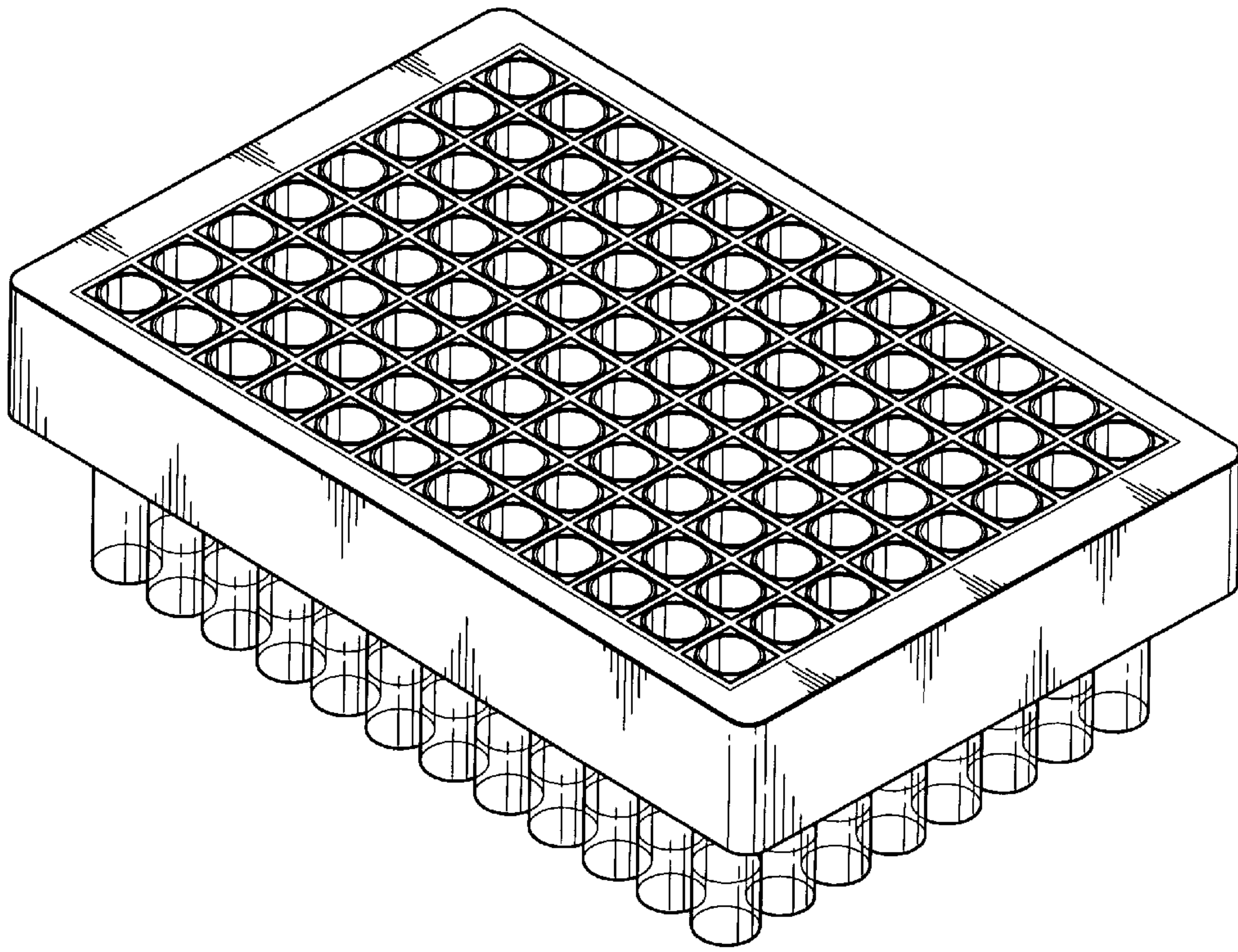


Fig. 1

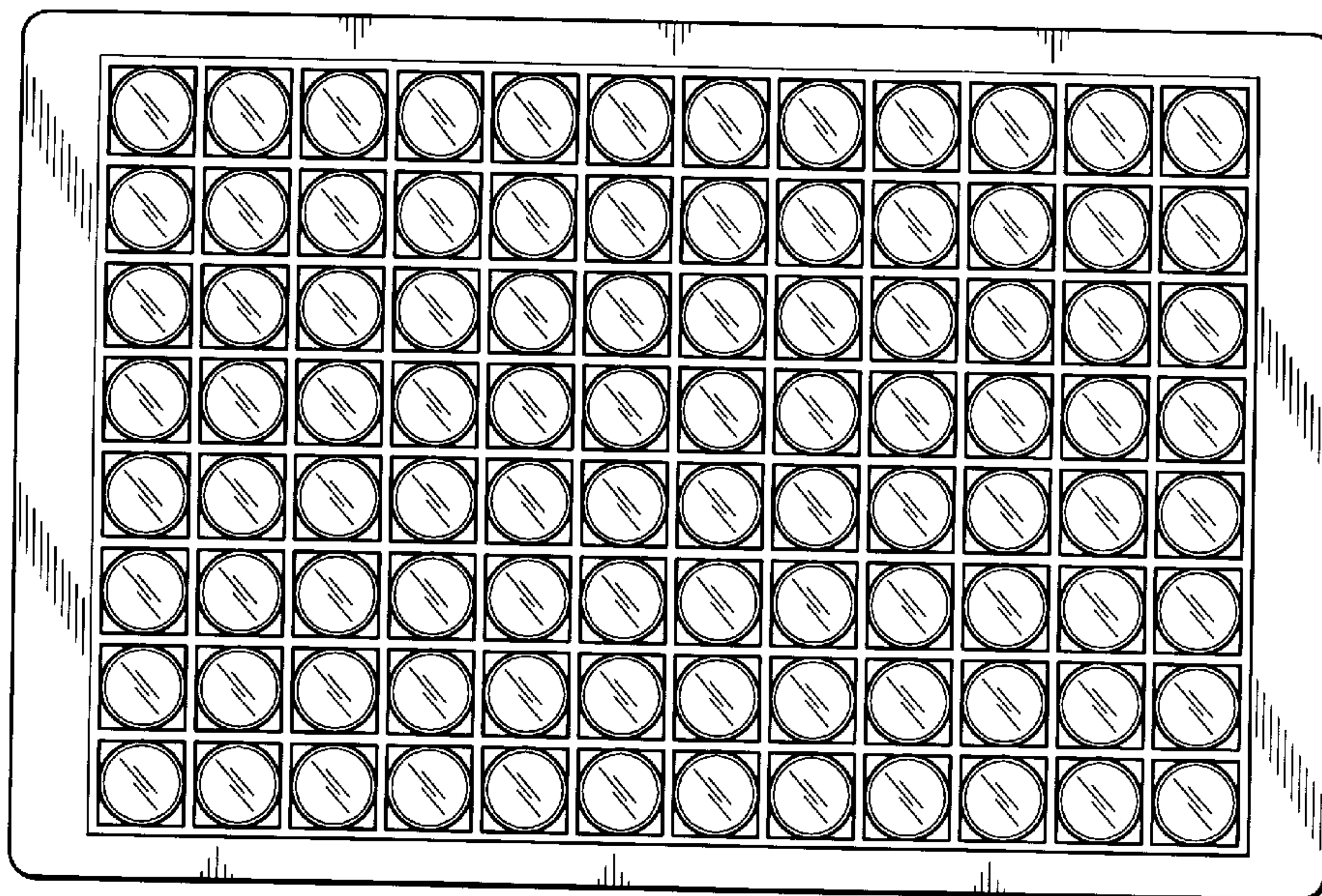


Fig. 2

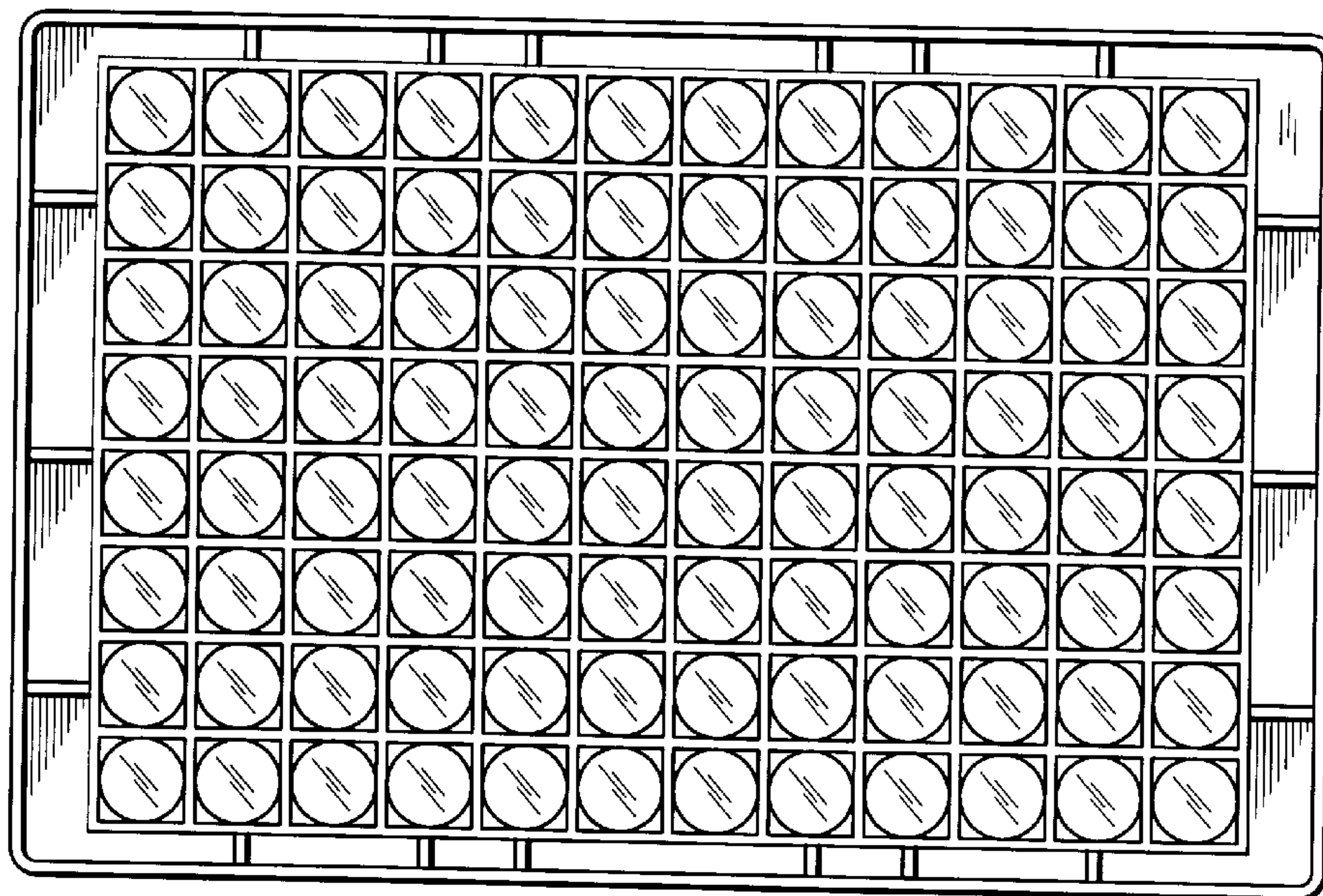


Fig. 3

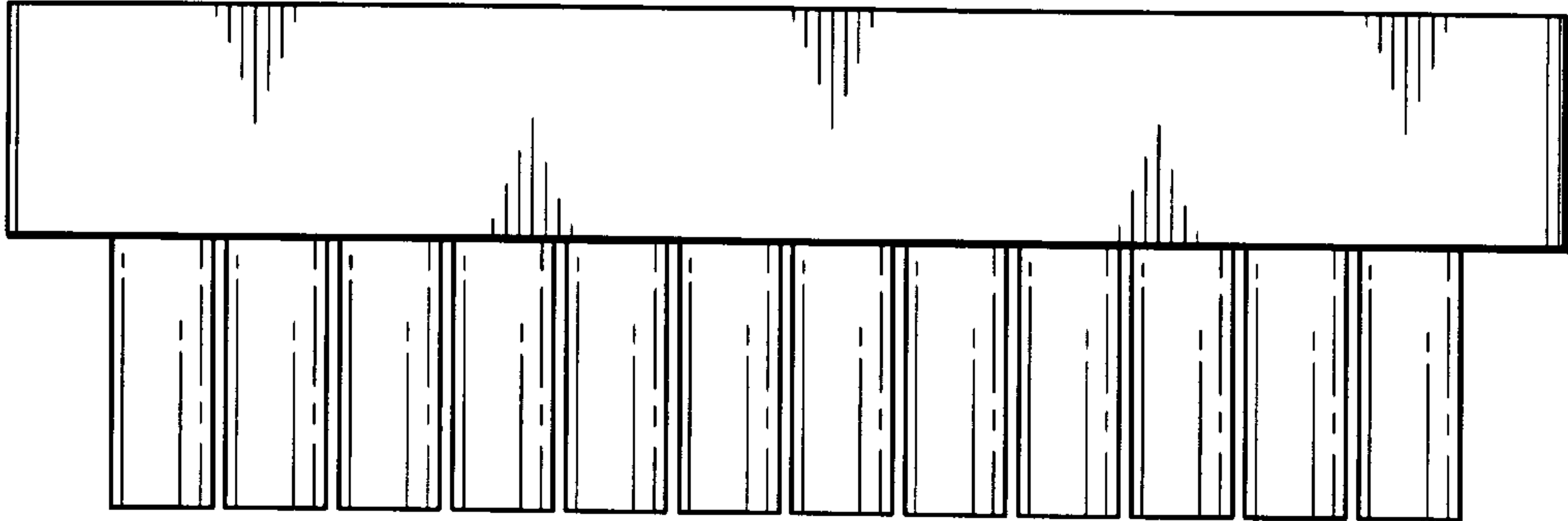


Fig. 4

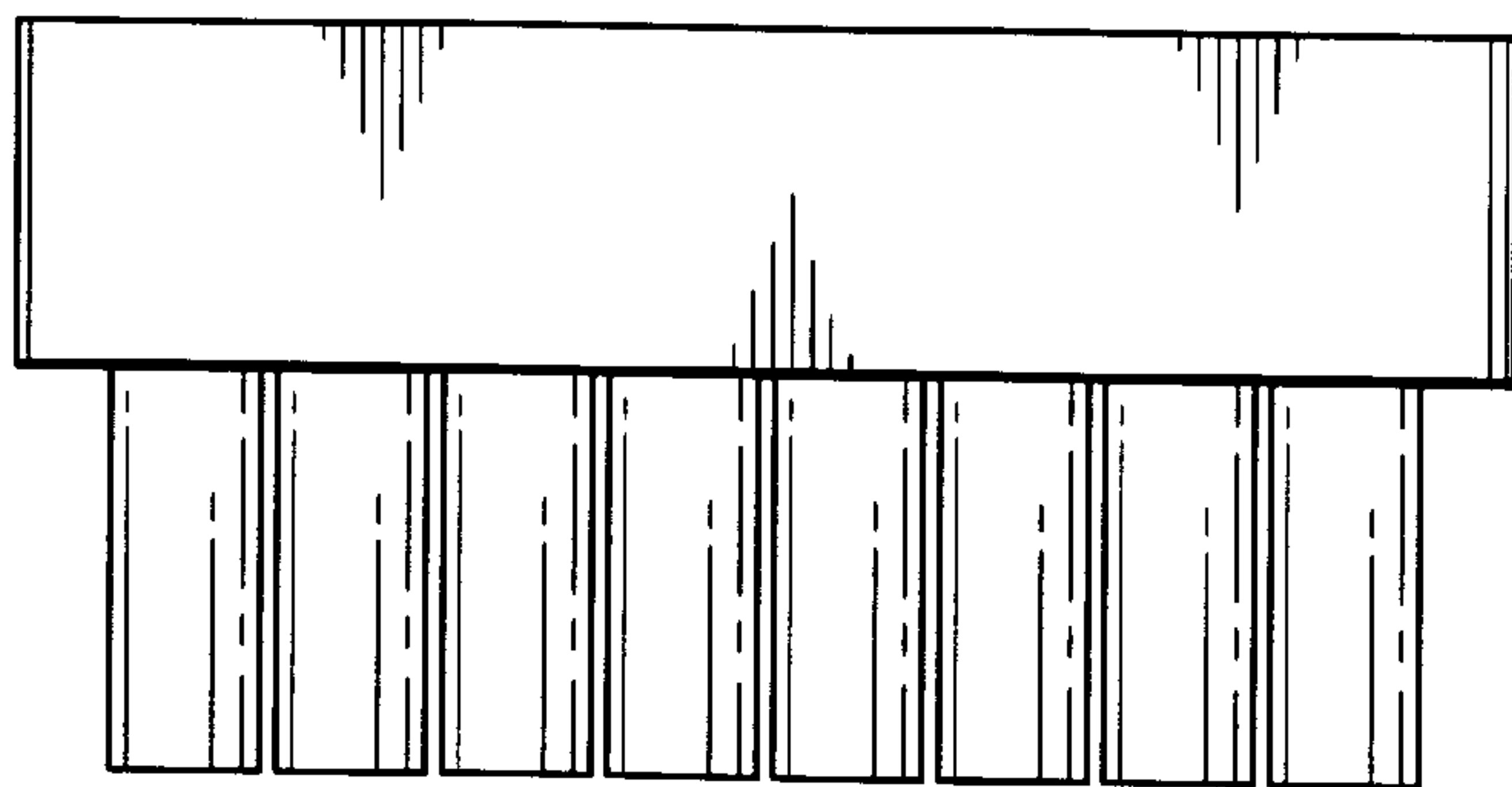


Fig. 5