



US00D414270S

United States Patent [19]
Escoffier

[11] **Patent Number: Des. 414,270**

[45] **Date of Patent: ** Sep. 21, 1999**

[54] **MODULE FOR A DEVICE FOR BIOLOGICAL TESTS**

[75] Inventor: **Jacques Escoffier**, Thonon-Les-Bains, France

[73] Assignee: **Medigis Societe Anonyme**, Paris, France

[**] Term: **14 Years**

[21] Appl. No.: **29/067,133**

[22] Filed: **Feb. 26, 1997**

[30] **Foreign Application Priority Data**

Aug. 27, 1996 [FR] France 96 4860

[51] **LOC (6) Cl.** **24-01**

[52] **U.S. Cl.** **D24/216; D24/223; D24/224**

[58] **Field of Search** D24/216, 220, D24/223, 224, 227, 229, 231, 232; 422/44, 48, 104; 211/71.01, 74, 85.18, 85.13; 604/7; 356/246

[56] **References Cited**

U.S. PATENT DOCUMENTS

D. 215,774 10/1969 Crane D24/223

D. 234,088 1/1975 Granados D24/229
D. 264,504 5/1982 Weber et al. D24/232
D. 367,714 3/1996 Pennicook D24/223
D. 382,346 8/1997 Buhler et al. D24/227
4,227,810 10/1980 Sandrock et al. 356/246
4,531,941 7/1985 Zaswa 422/46
4,982,850 1/1991 Mears 211/74

Primary Examiner—Louis S. Zarfaz
Assistant Examiner—G. Andoll
Attorney, Agent, or Firm—Susan L. Preston

[57] **CLAIM**

The ornamental design for a module for a device for biological tests, as shown and described.

DESCRIPTION

FIG. 1 is a front elevational view of the module for a device for biological tests, showing my new design;
FIG. 2 is a top view of FIG. 1;
FIG. 3 is a rear elevational view of FIG. 1;
FIG. 4 is a perspective view from the rear, right and top of FIG. 1;
FIG. 5 is a perspective view from the bottom, rear and right of FIG. 1;
FIG. 6 is a left elevational view of FIG. 1; and,
FIG. 7 is a right elevational view of FIG. 1.

1 Claim, 2 Drawing Sheets

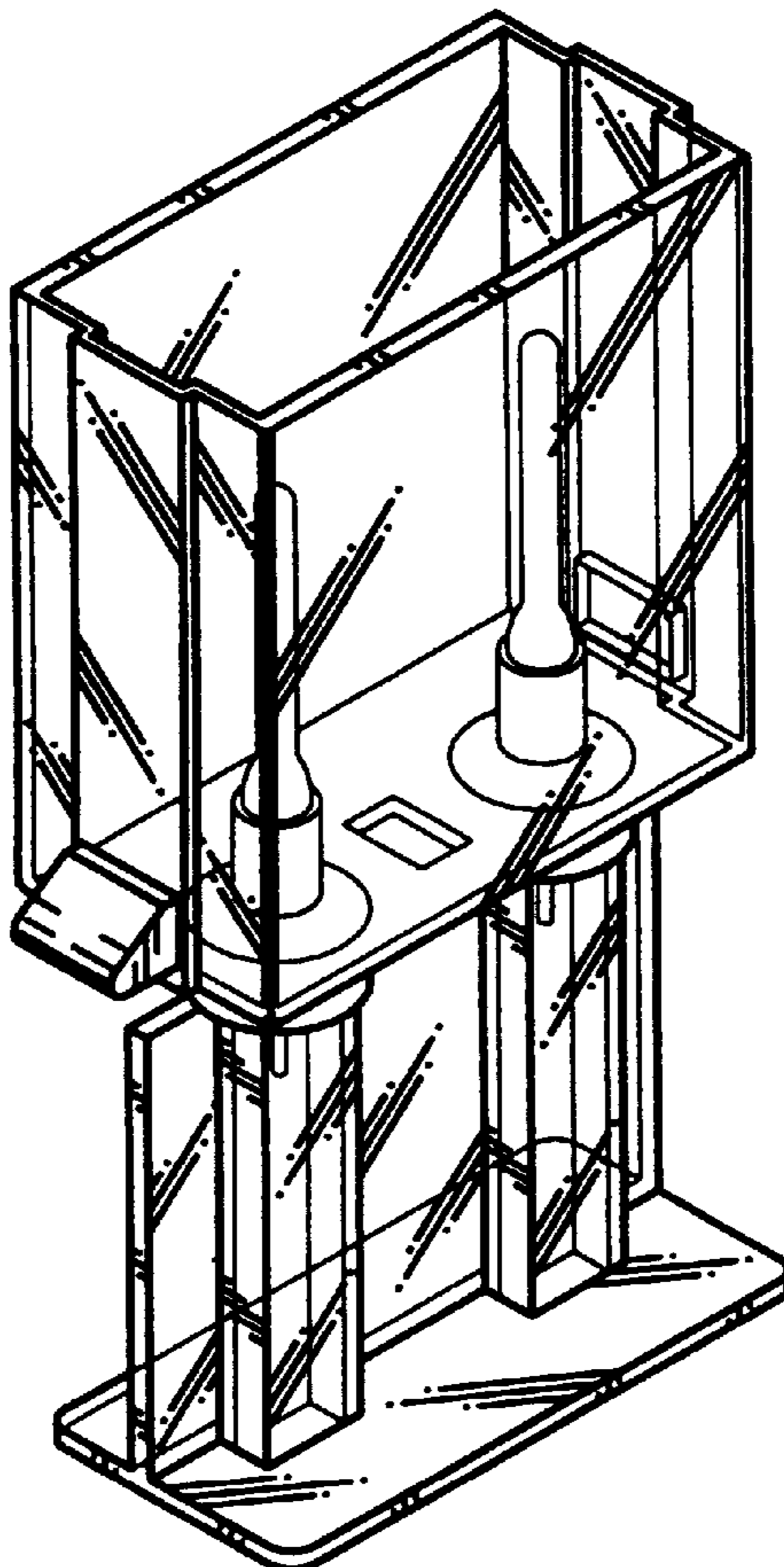


FIG. 1

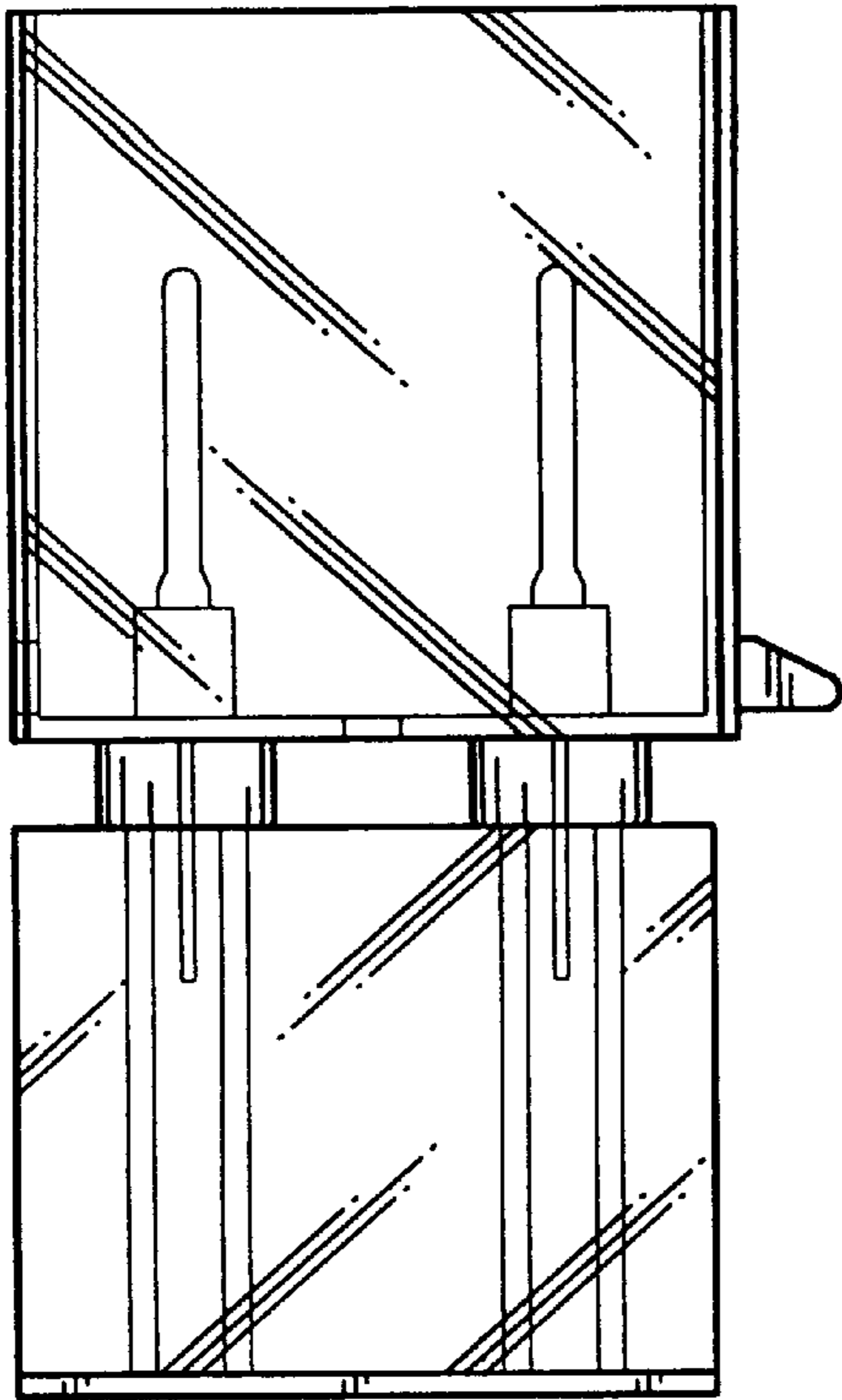


FIG. 2

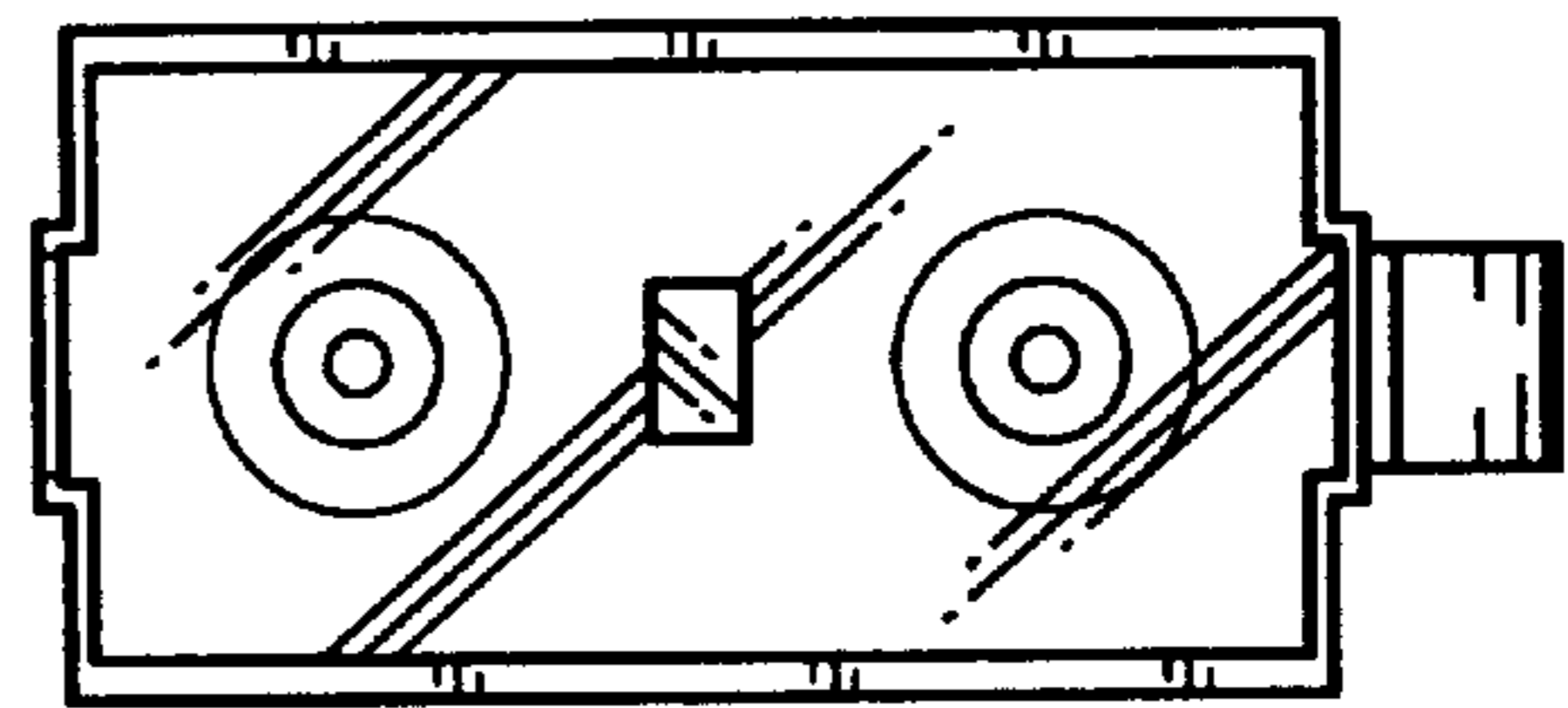


FIG. 3

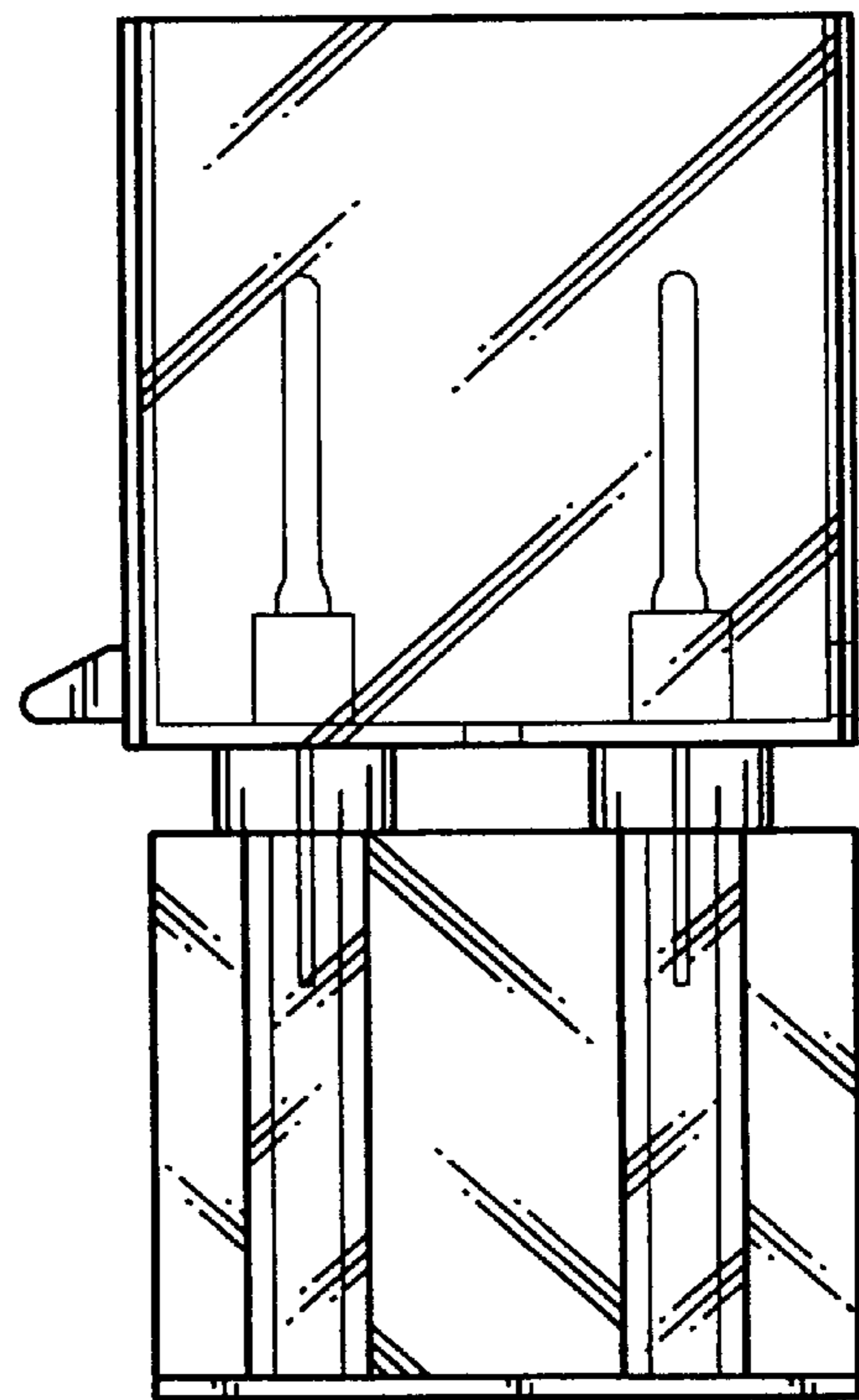


FIG. 5

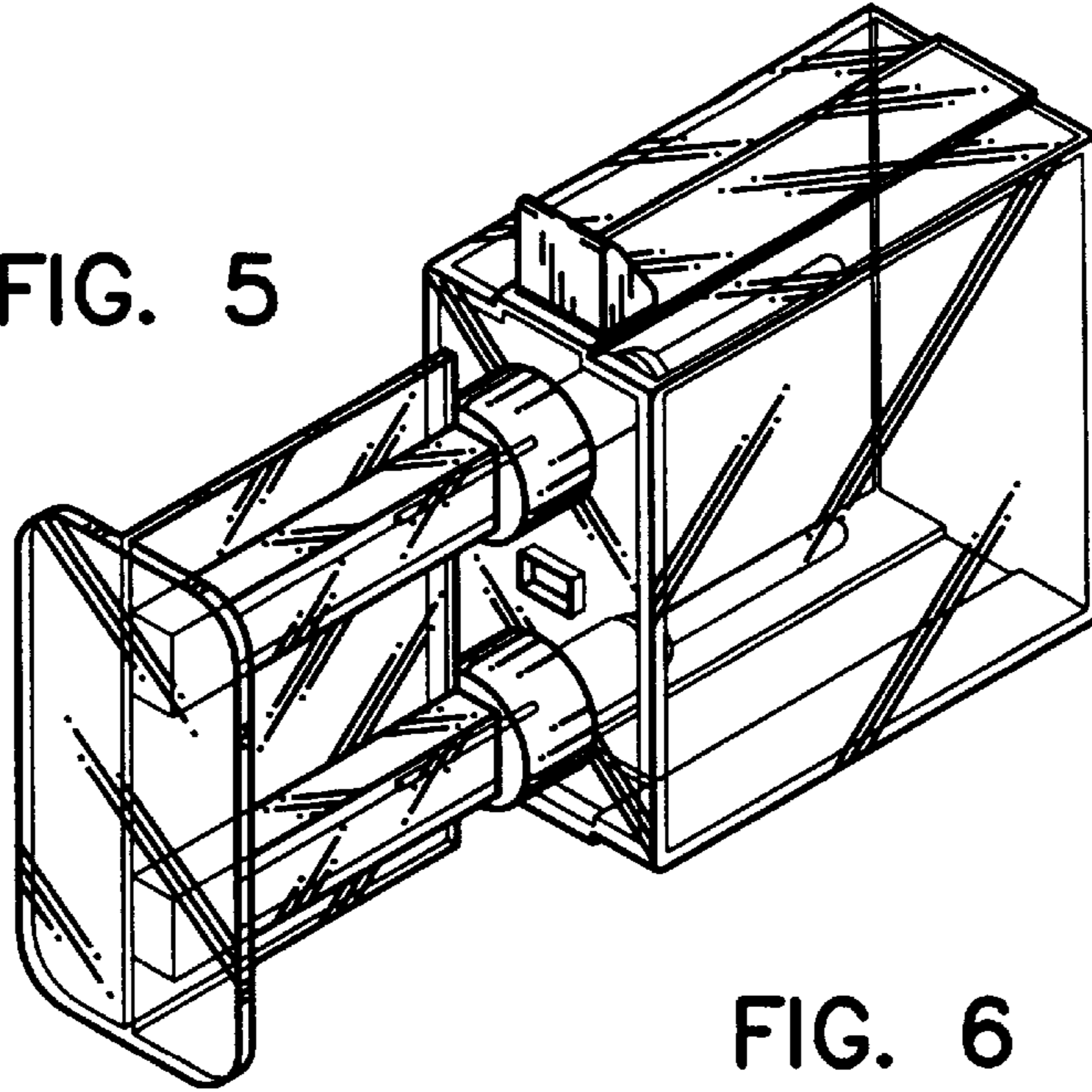


FIG. 6

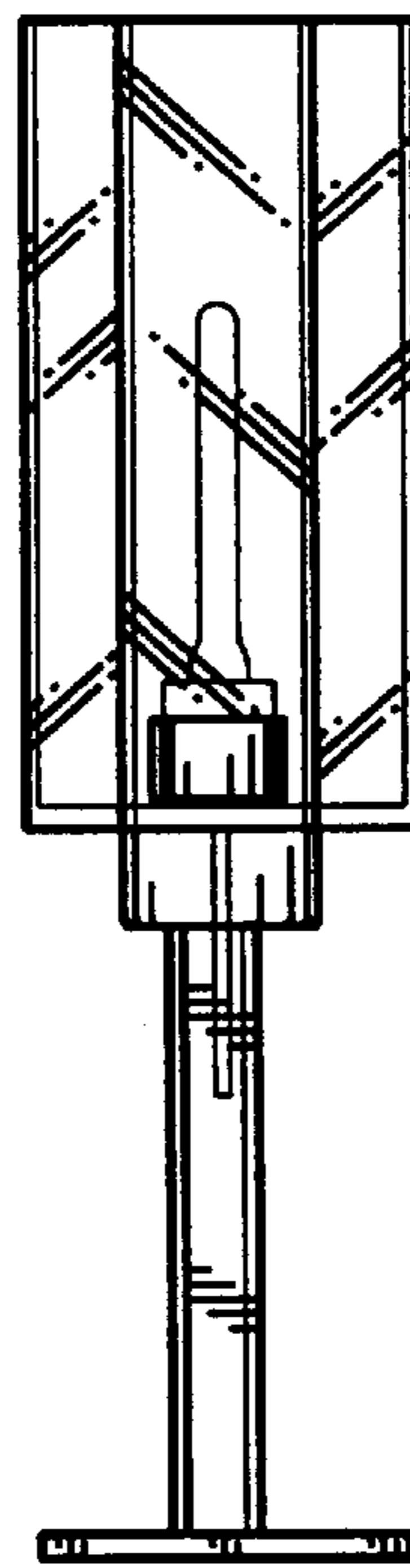


FIG. 7

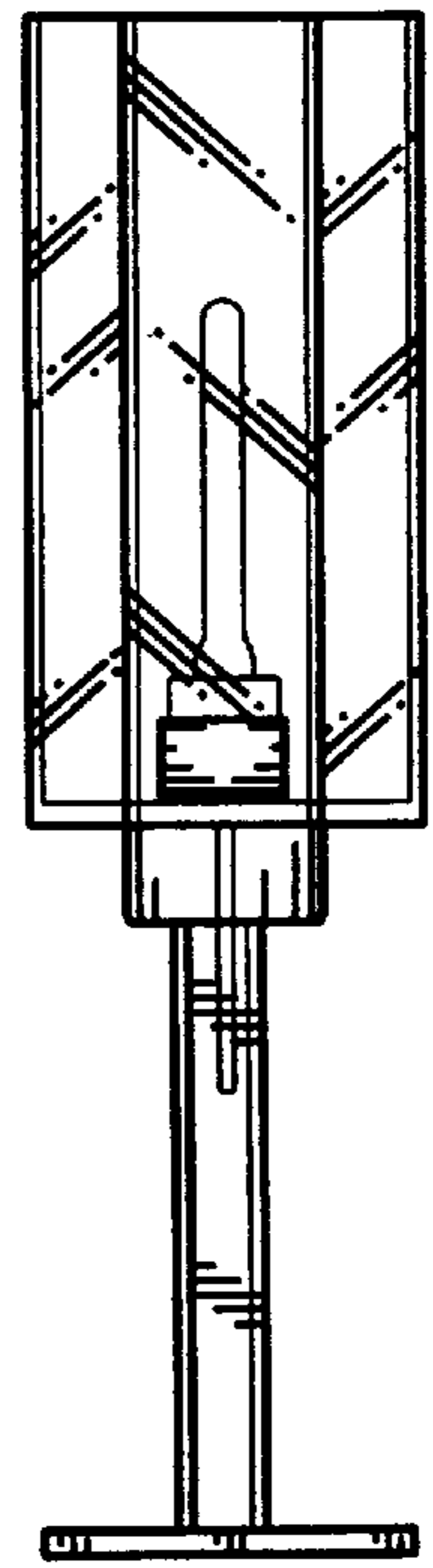


FIG. 4

