



US00D414268S

**United States Patent** [19]  
**Shaw et al.**

[11] **Patent Number: Des. 414,268**

[45] **Date of Patent: \*\* \*Sep. 21, 1999**

[54] **NURSING BOTTLE HOLDER**

5,551,583 9/1996 Sachathamakul et al. .  
5,588,548 12/1996 Brankley .

[75] Inventors: **Robert W. Shaw**, Piscataway, N.J.;  
**Paul Dowd**, Bronxville, N.Y.

**FOREIGN PATENT DOCUMENTS**

[73] Assignee: **Johnson & Johnson Consumer Products, Inc.**, Skillman, N.J.

0 061 868 A1 10/1982 European Pat. Off. .  
0 414 673B1 3/1994 European Pat. Off. .  
2 109 247 6/1983 United Kingdom .  
2 277 452 11/1994 United Kingdom .  
WO 91/03225 3/1991 WIPO .  
WO 92/01435 2/1992 WIPO .  
WO 92/14437 9/1992 WIPO .

[\*] Notice: This patent is subject to a terminal disclaimer.

[\*\*] Term: **14 Years**

*Primary Examiner*—Stella Reid  
*Attorney, Agent, or Firm*—Michele G. Mangini

[21] Appl. No.: **29/073,808**

[22] Filed: **Jul. 17, 1997**

[57] **CLAIM**

[51] **LOC (6) Cl.** ..... **07-01**

[52] **U.S. Cl.** ..... **D24/199**

[58] **Field of Search** ..... D24/199; 248/102,  
248/103, 104, 105, 106, 107; 215/11.1–11.6

The ornamental design for a nursing bottle holder, as shown and described.

**DESCRIPTION**

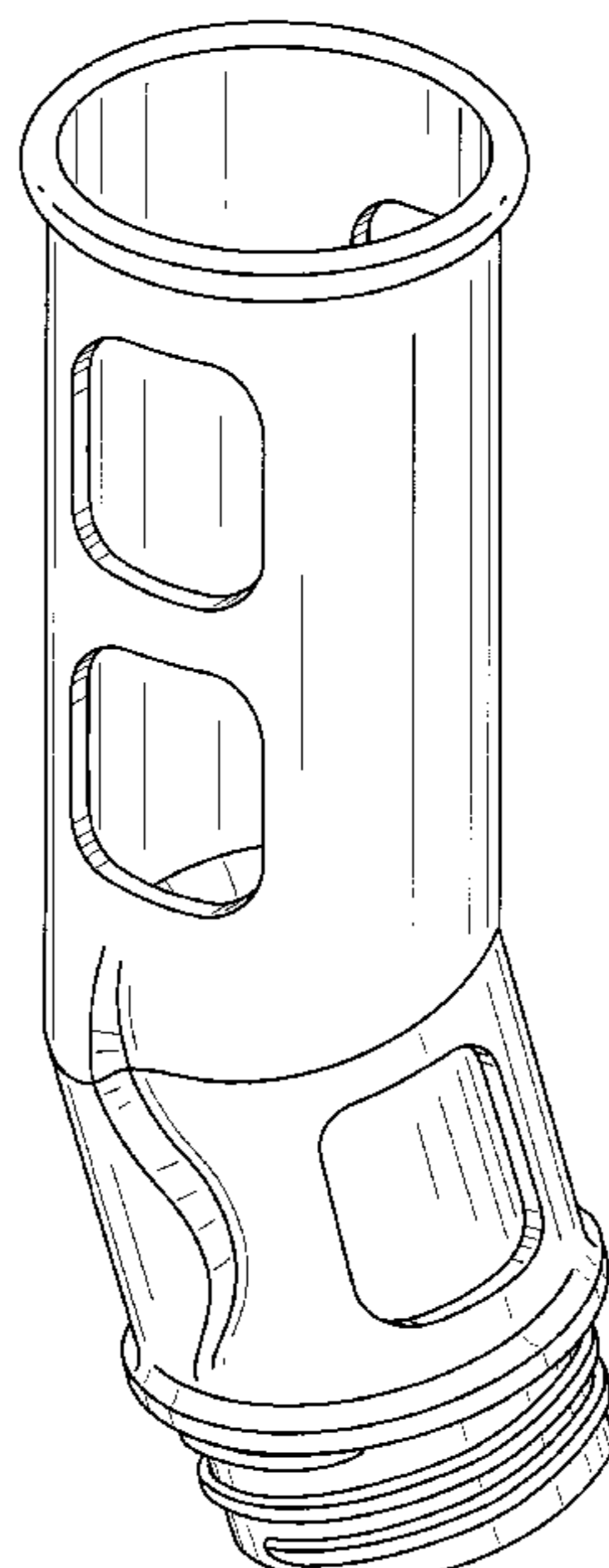
[56] **References Cited**

**U.S. PATENT DOCUMENTS**

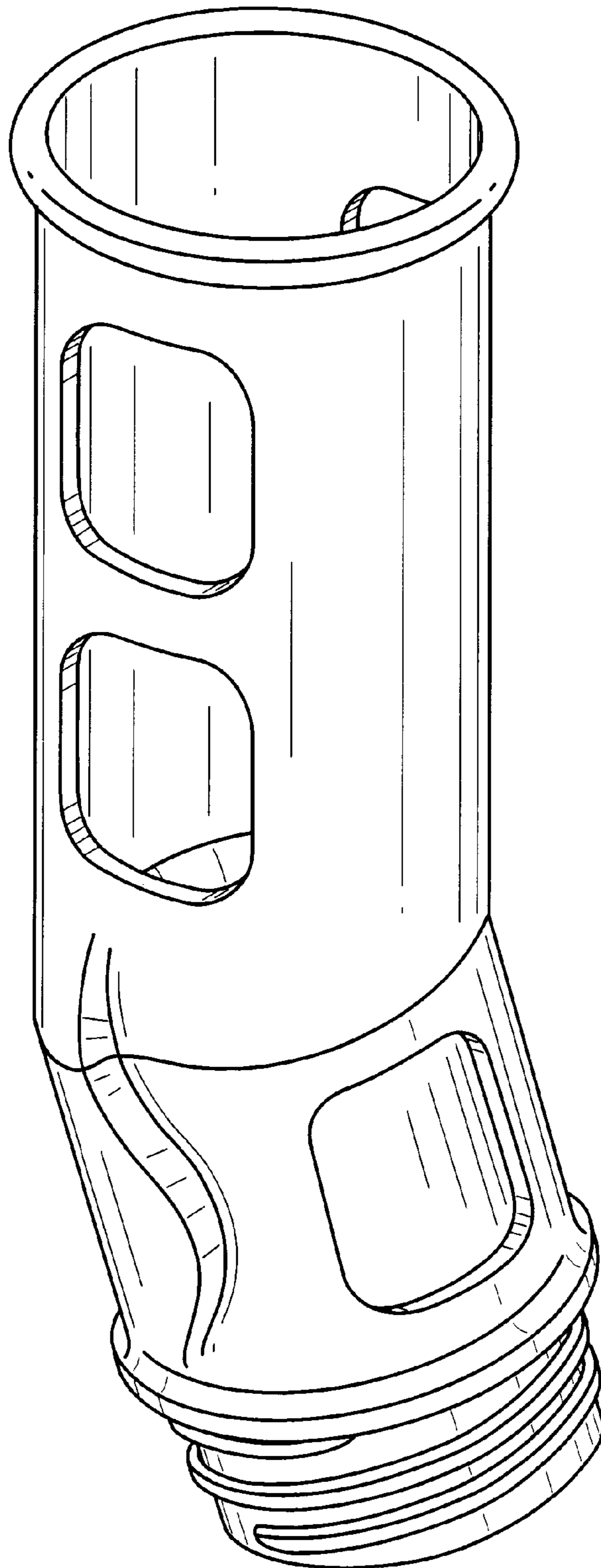
D. 138,925	9/1944	Ostrin et al. .	
D. 298,970	12/1988	Dirks .....	D24/199
D. 300,560	4/1989	Losito .....	D24/199
D. 310,417	9/1990	Herritz .....	D24/199
D. 315,959	4/1991	Bilangi .....	D24/199
D. 325,973	5/1992	Chen et al. ....	D24/197
D. 326,523	5/1992	Chen et al. ....	D24/197
D. 371,849	7/1996	Thom .	
D. 376,430	12/1996	Humphrey et al. .	
3,061,129	10/1962	FitzGerald .	
3,071,272	1/1963	Doner .	
3,145,867	8/1964	Roberts et al. .	
3,762,542	10/1973	Grimes .	
4,676,387	6/1987	Stphenson et al. .	
4,813,556	3/1989	Lawrence .	
4,925,042	5/1990	Chong .	
5,509,549	4/1996	Marandola .	
5,540,341	7/1996	Hadley et al. .	

FIG. 1 is a perspective view of a nursing bottle holder showing our new design in a bent orientation; FIG. 2 is a front elevational view thereof; FIG. 3 is a side elevational view thereof, the opposite side being a mirror image; FIG. 4 is a rear elevational view thereof; FIG. 5 is a top plan view thereof; FIG. 6 is a bottom plan view thereof; FIG. 7 is a perspective view similar to FIG. 1; however, the broken line showing of the liner and cap is for illustrative purposes only and forms no part of the claimed design; FIG. 8 is a perspective view of the nursing bottle holder in FIG. 1 but in a straight orientation; FIG. 9 is a front elevational view thereof; FIG. 10 is a side elevational view thereof; the opposite side being a mirror image; FIG. 11 is a rear elevational view thereof; FIG. 12 is a top plan view thereof; and, FIG. 13 is a bottom plan view thereof.

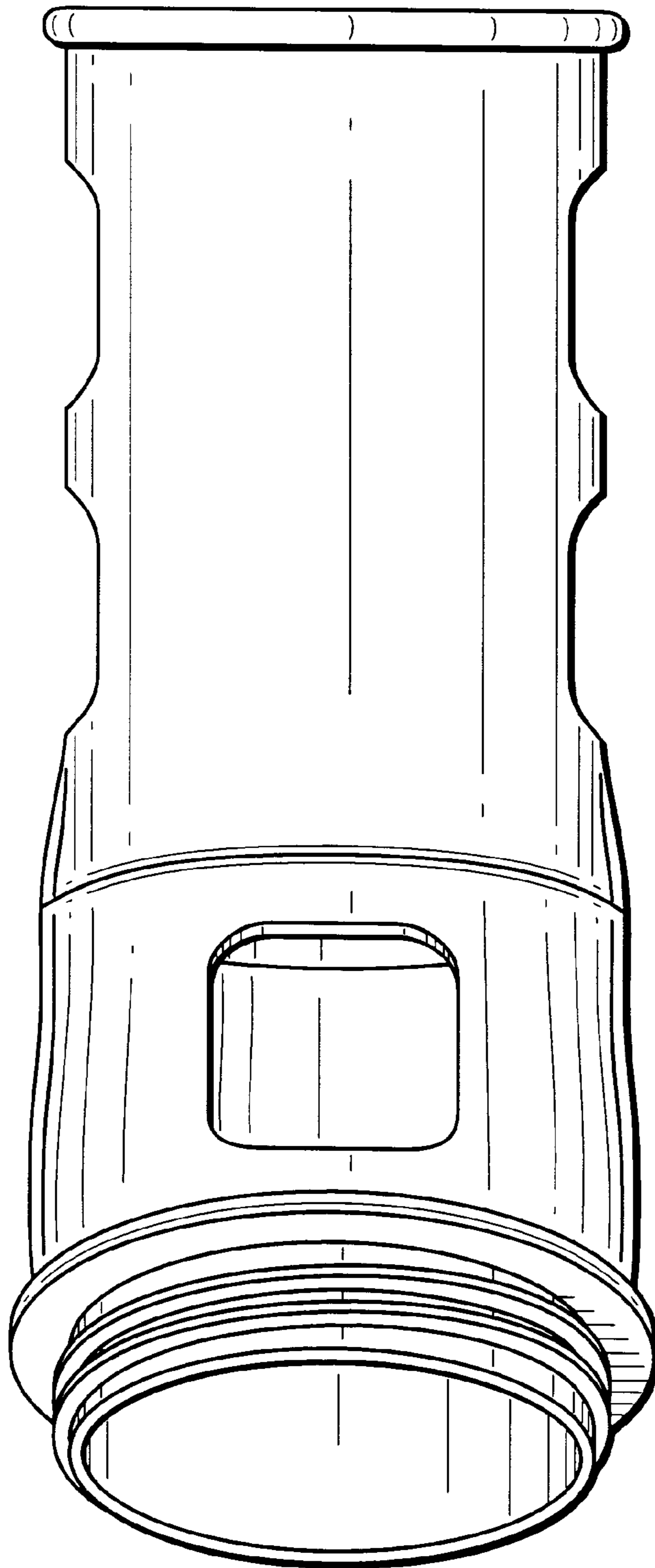
**1 Claim, 11 Drawing Sheets**



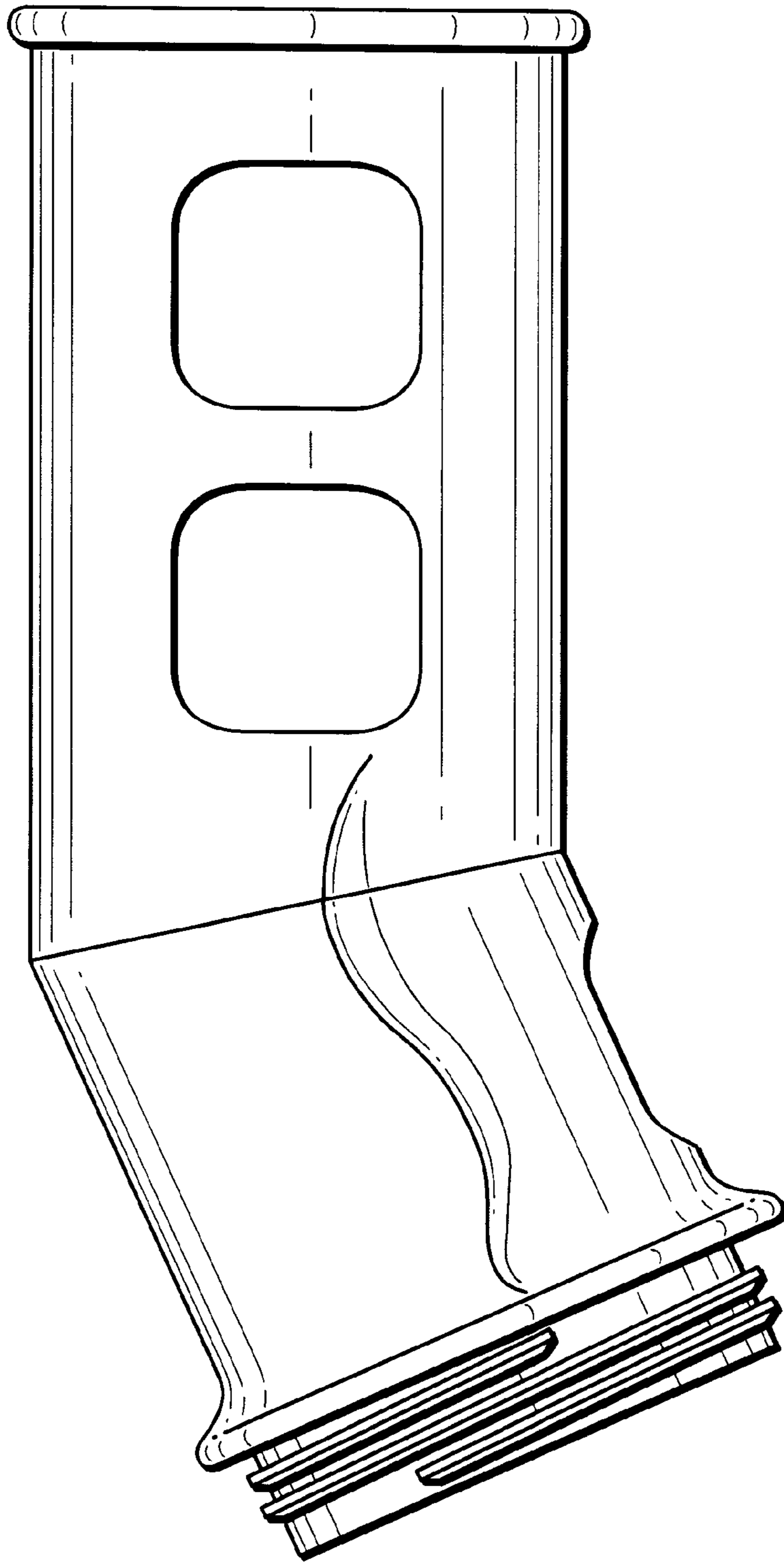
**FIG. 1**



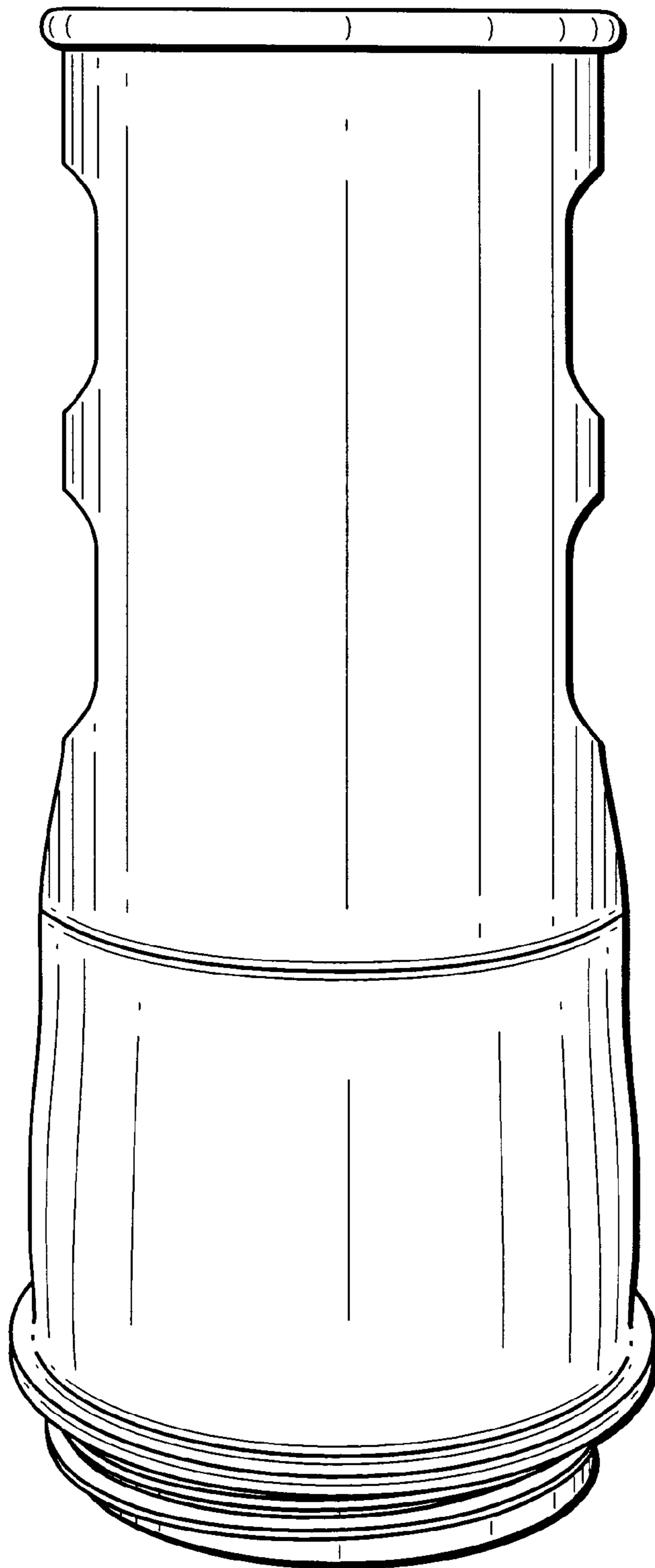
**FIG. 2**



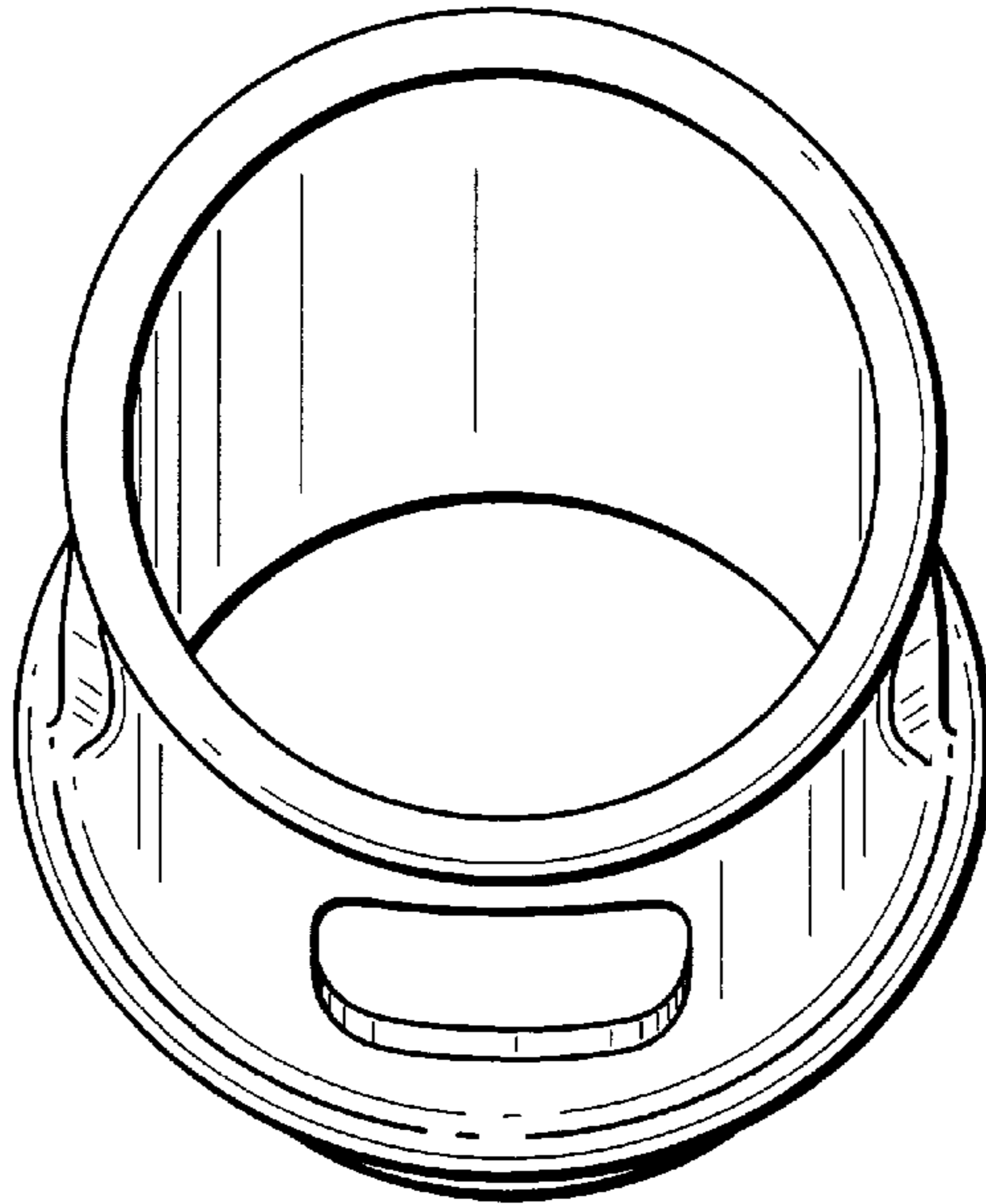
**FIG. 3**



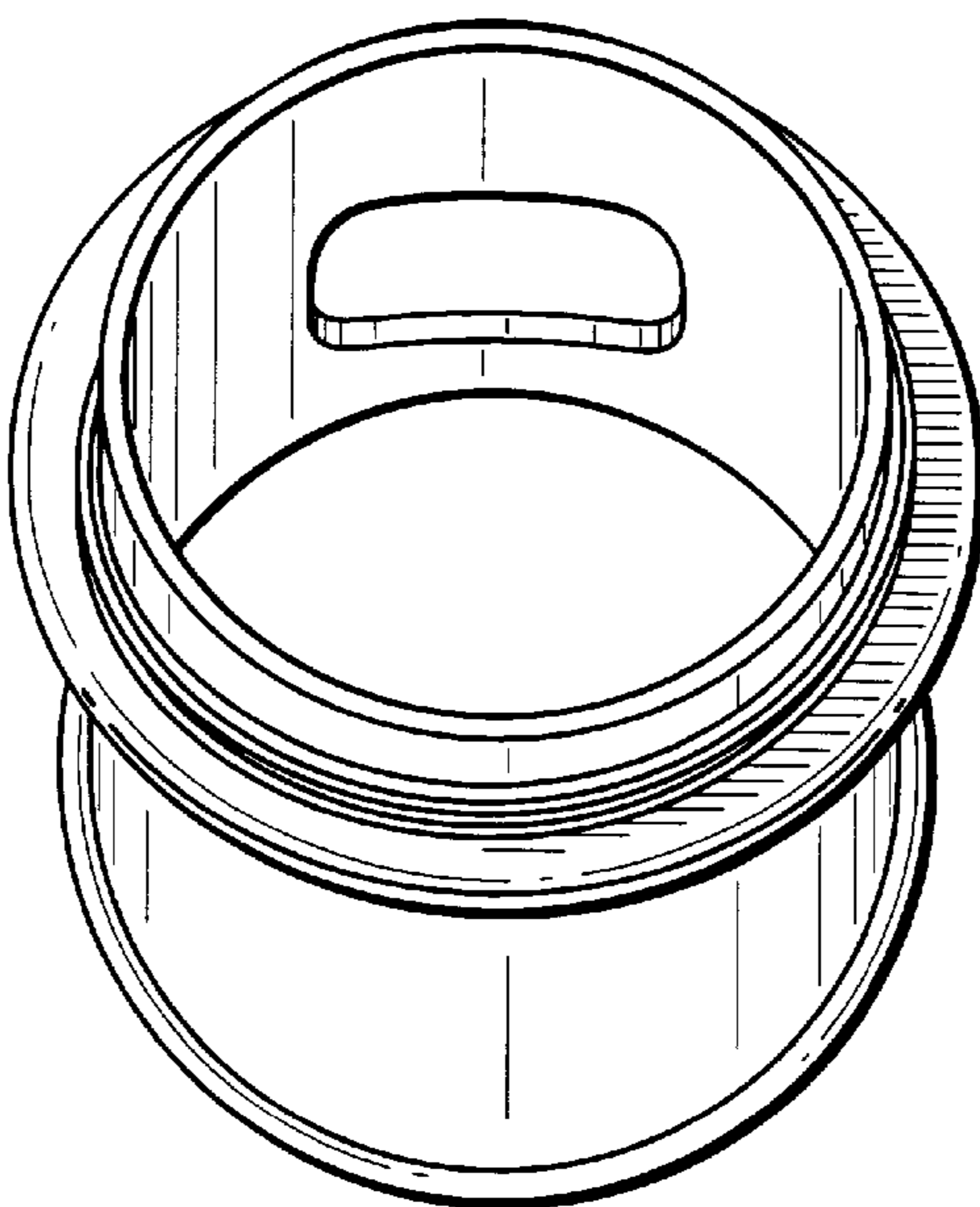
**FIG. 4**



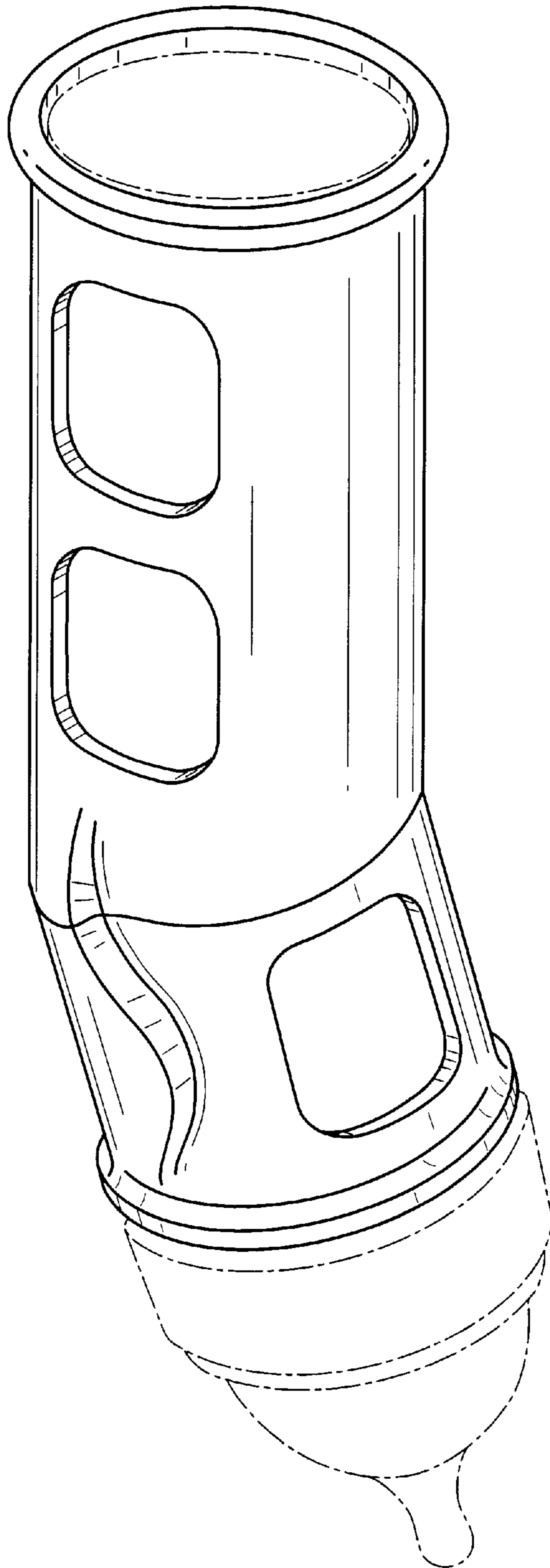
**FIG. 5**



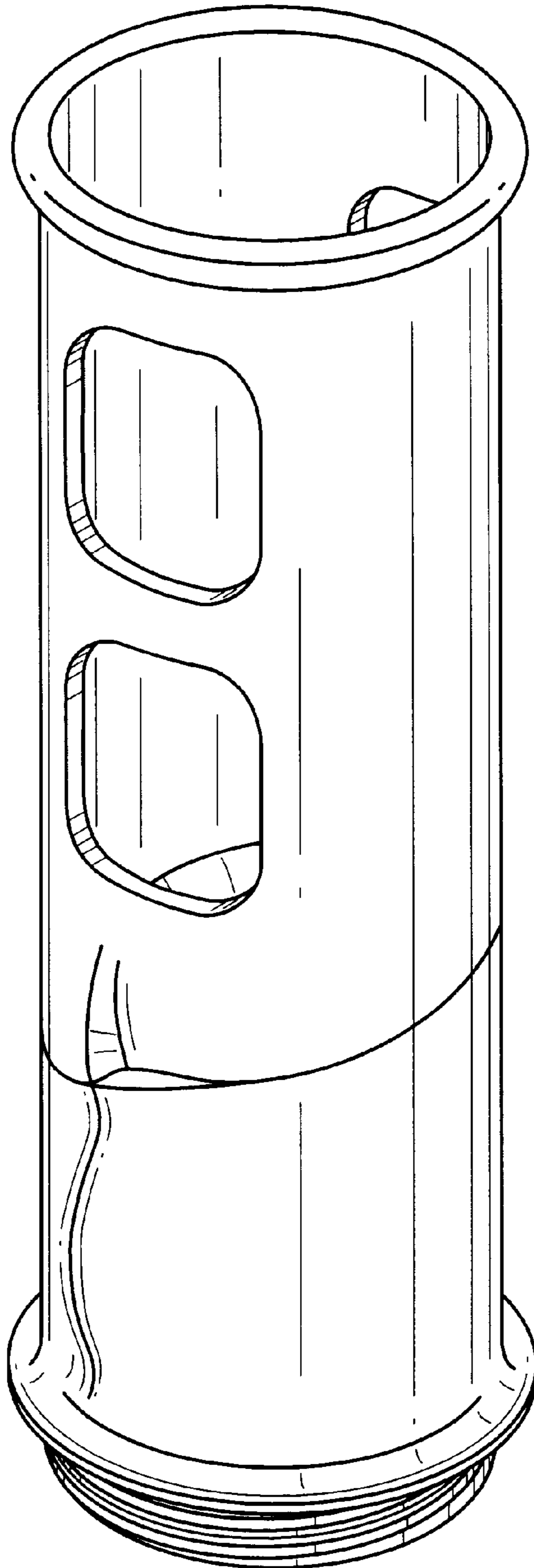
**FIG. 6**



**FIG. 7**

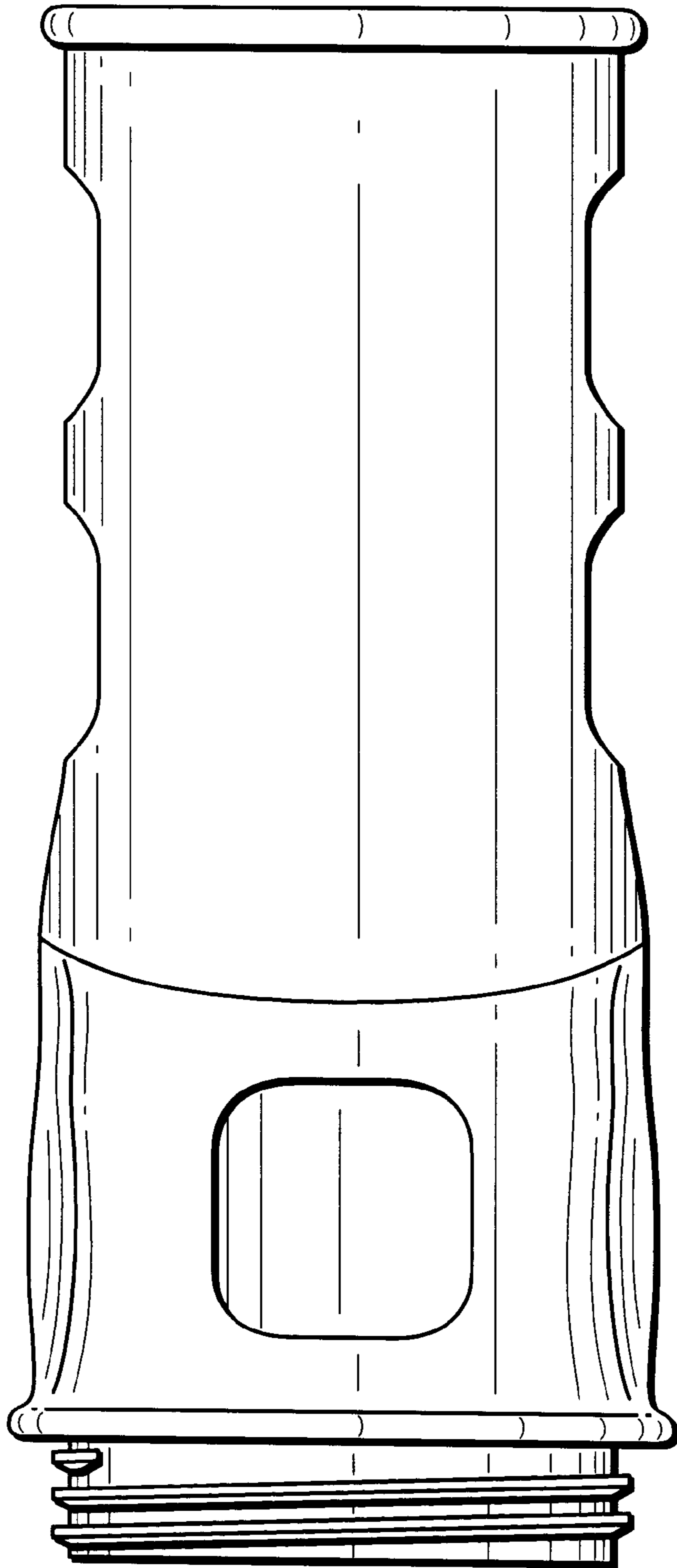


**FIG. 8**

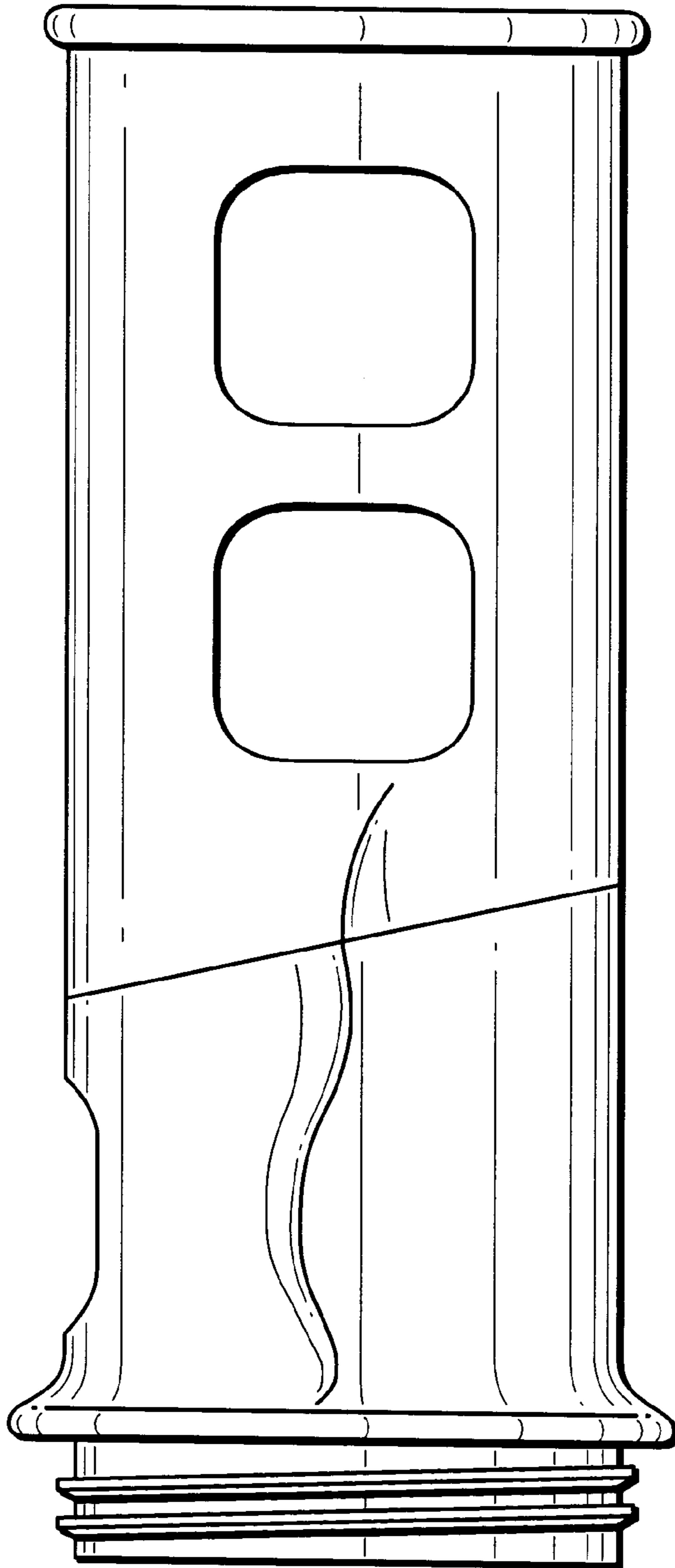




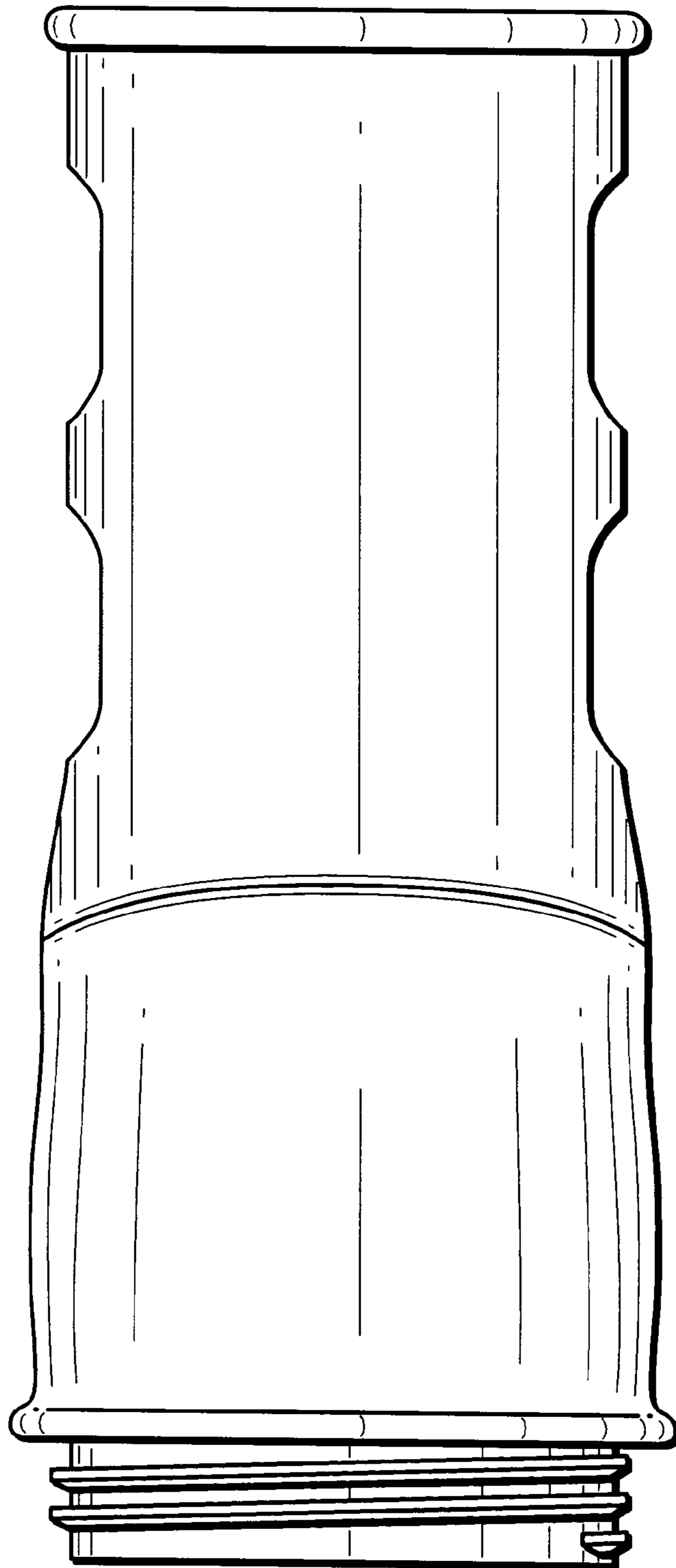
**FIG. 9**



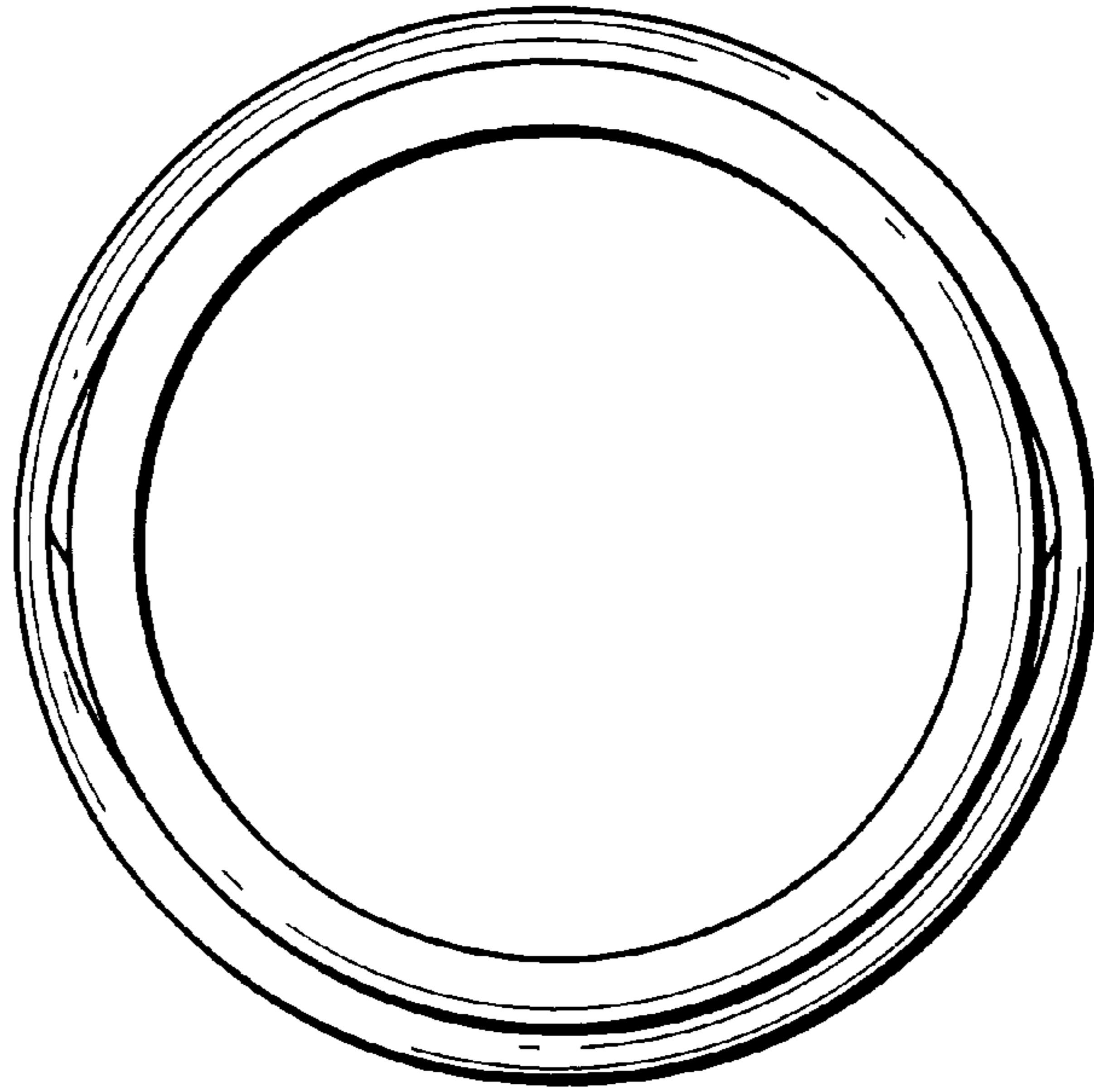
**FIG. 10**



**FIG. 11**



***FIG. 12***



***FIG. 13***

