



US00D414265S

United States Patent [19]

Austin et al.

[11] Patent Number: Des. 414,265

[45] Date of Patent: ** Sep. 21, 1999

[54] TISSUE RETRACTOR RETENTION BAND

[75] Inventors: Gary Austin, Euclid; J. Timothy Austin, Concord; George J. Picha, Independence, all of Ohio

[73] Assignee: Applied Medical Technology, Inc., Cleveland, Ohio

[**] Term: 14 Years

[21] Appl. No.: 29/096,289

[22] Filed: Nov. 9, 1998

[51] LOC (6) Cl. 24-02

[52] U.S. Cl. D24/135

[58] Field of Search D24/135, 143; 600/217, 216, 215, 228, 201, 206, 210, 229, 220, 231, 232, 233

[56] References Cited

U.S. PATENT DOCUMENTS

- Re. 32,021 11/1985 Scott, Jr. .
- 2,384,304 9/1945 Helfrick .
- 2,845,925 8/1958 Jayle .
- 3,038,468 6/1962 Raeuchle .
- 3,515,129 6/1970 Truhan .
- 3,522,800 8/1970 Lesser .
- 3,542,015 11/1970 Steinman .
- 3,762,401 10/1973 Tupper .
- 3,823,709 7/1974 McGuire .
- 3,857,386 12/1974 Ashbell .
- 3,882,855 5/1975 Schulte et al. .
- 4,274,398 6/1981 Scott, Jr. .
- 4,430,991 2/1984 Darnell .
- 4,434,791 3/1984 Darnell .

- 4,610,243 9/1986 Ray .
- 5,174,279 12/1992 Cobo et al. .
- 5,514,076 5/1996 Ley .
- 5,638,584 6/1997 De Anfrasio .
- 5,709,646 1/1998 Lange .
- 5,769,783 6/1998 Fowler .
- 5,785,649 6/1998 Fowler, Jr. .

FOREIGN PATENT DOCUMENTS

003234875 3/1984 Germany 600/217

OTHER PUBLICATIONS

A. Kh. Izmailov and B.L. Elyashevich, "Universal Retractor for Cavity Surgery", Jul. 10, 1973, p. 320.

Primary Examiner—Stella Reid
Assistant Examiner—I Simmons
Attorney, Agent, or Firm—Pearne, Gordon, McCoy & Granger LLP

[57] CLAIM

The ornamental design for a tissue retractor retention band, as shown and described.

DESCRIPTION

FIG. 1 is a perspective view of a tissue retractor retention band, showing our new design;
FIG. 2 is a front elevational view, the rear view being a mirror image thereof;
FIG. 3 is a right end view thereof;
FIG. 4 is a top view thereof;
FIG. 5 is a left end view thereof; and,
FIG. 6 is a bottom view.

1 Claim, 2 Drawing Sheets

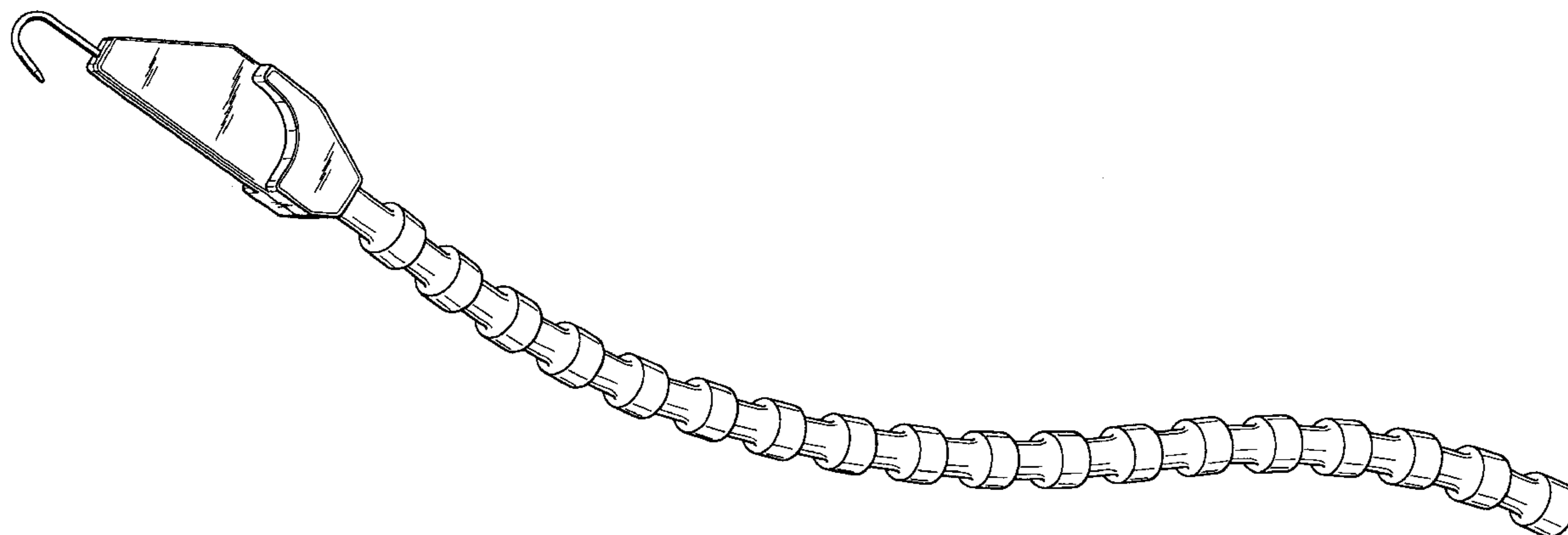


FIG. 1

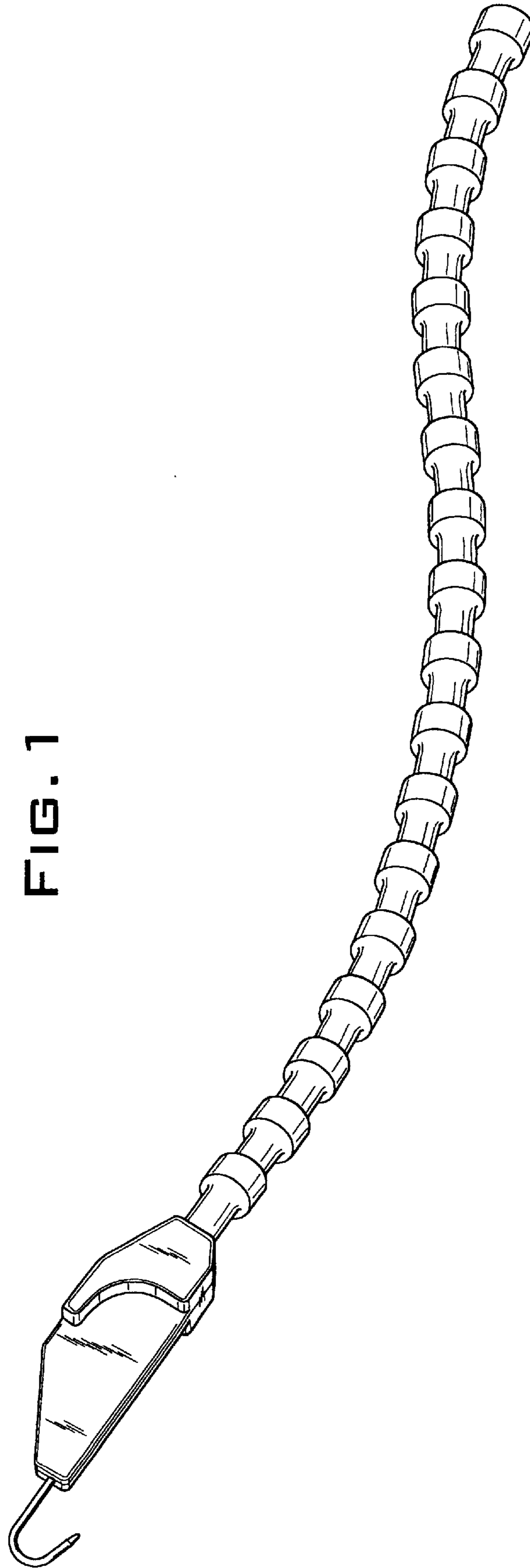




FIG. 4

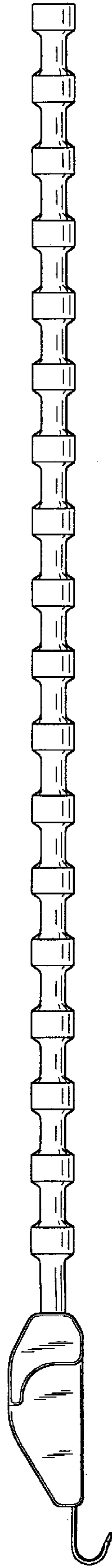


FIG. 2

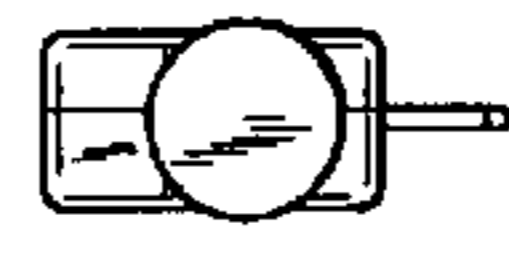


FIG. 3



FIG. 5



FIG. 6