



US00D414264S

# United States Patent [19]

Weller et al.

[11] **Patent Number: Des. 414,264**

[45] **Date of Patent: \*\* Sep. 21, 1999**

[54] **CONDOM RETENTION DEVICE WITH A RETAINING STRAP**

[75] Inventors: **James M. Weller**, Blaine; **John C. Field**, St. Paul, both of Minn.

[73] Assignee: **Gain, Incorporated**, St. Paul, Minn.

[\*\*] Term: **14 Years**

[21] Appl. No.: **29/075,903**

[22] Filed: **Aug. 27, 1997**

### Related U.S. Application Data

[63] Continuation-in-part of application No. 29/053,742, Apr. 29, 1996, abandoned.

[51] **LOC (6) Cl.** ..... **24-02**

[52] **U.S. Cl.** ..... **D24/133; D24/105; D24/155**

[58] **Field of Search** ..... **D24/143, 133, D24/105, 140, 127, 128; 600/39**

### References Cited

#### U.S. PATENT DOCUMENTS

D. 32,153	1/1900	Pund	.....	D24/140
D. 394,504	5/1998	Weller et al.	.....	D24/155
5,667,471	9/1997	Weller et al.	.....	600/39

### FOREIGN PATENT DOCUMENTS

002012289 5/1994 Russian Federation ..... 600/39

*Primary Examiner*—Stella Reid  
*Assistant Examiner*—I Simmons  
*Attorney, Agent, or Firm*—Merchant & Gould P.C.

[57] **CLAIM**

The ornamental design for a condom retention device with a retaining strap, as shown and described.

### DESCRIPTION

FIG. 1 is a perspective view of the condom retention device with a retaining strap according to the present invention. FIG. 2 is a an end elevational view of the condom retention device with a retaining strap according to the present invention. FIG. 3 is an opposite end elevational view of the condom retention device with a retaining strap of FIG. 1. FIG. 4 is a side elevational view of the condom retention device with a retaining strap shown in FIG. 1. FIG. 5 is an opposite side elevational view to that shown in FIG. 4. FIG. 6 is a top plan view of the condom retention device with a retaining strap shown in FIG. 1; and, FIG. 7 is a bottom plan view of the condom retention device with a retaining strap shown in FIG. 1.

**1 Claim, 3 Drawing Sheets**

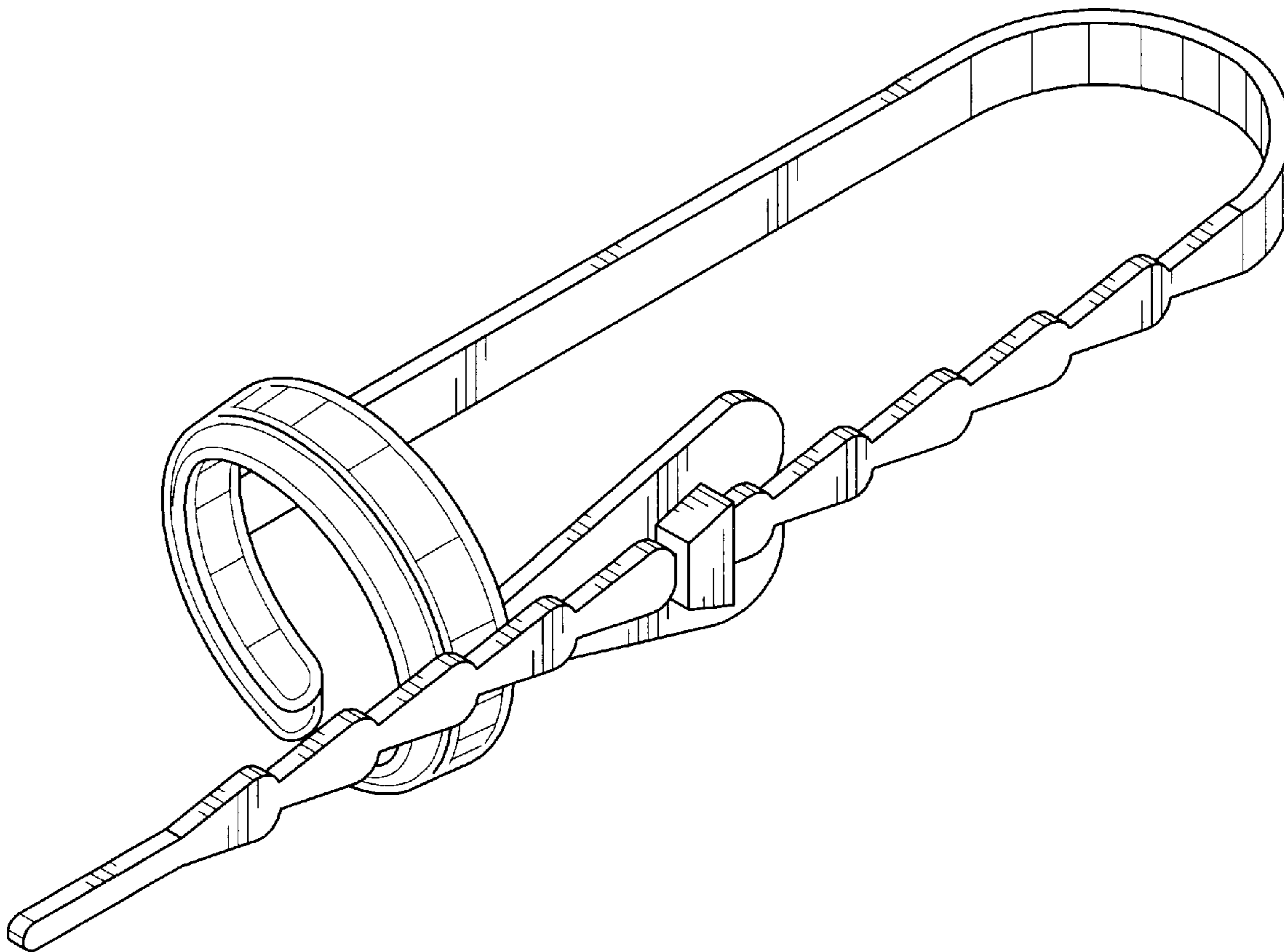


FIG. 1

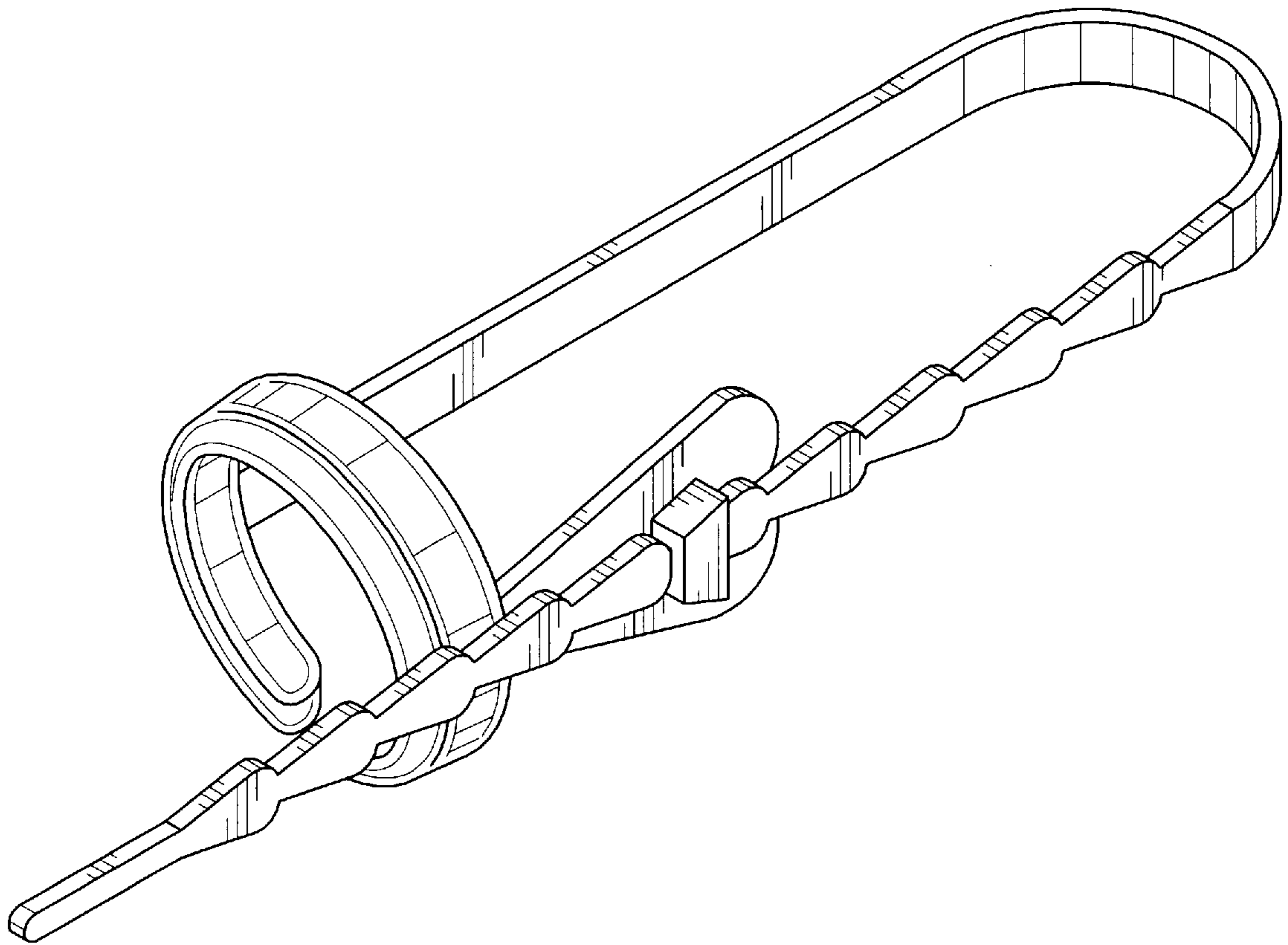


FIG. 2

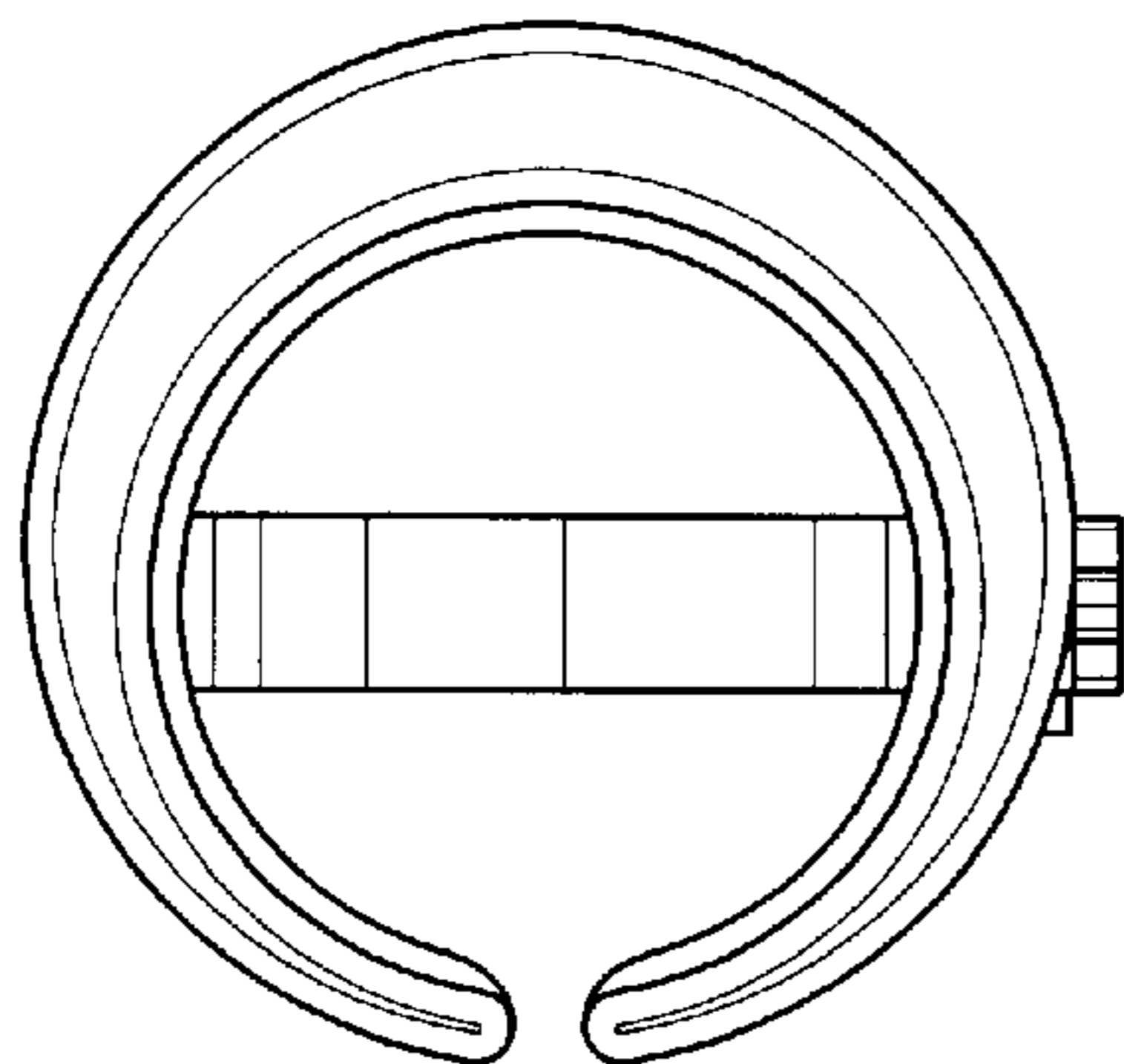


FIG. 3

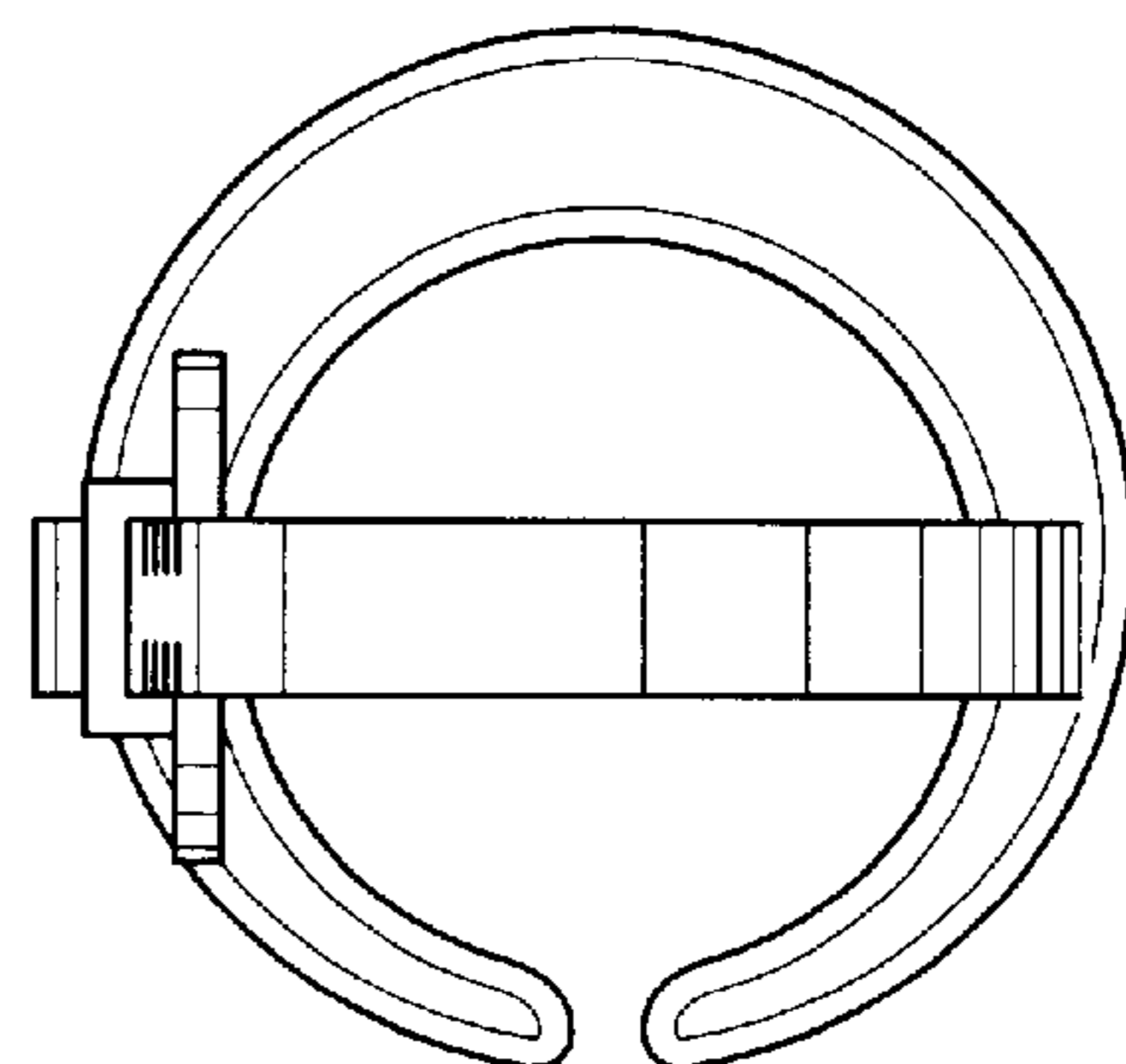


FIG. 4

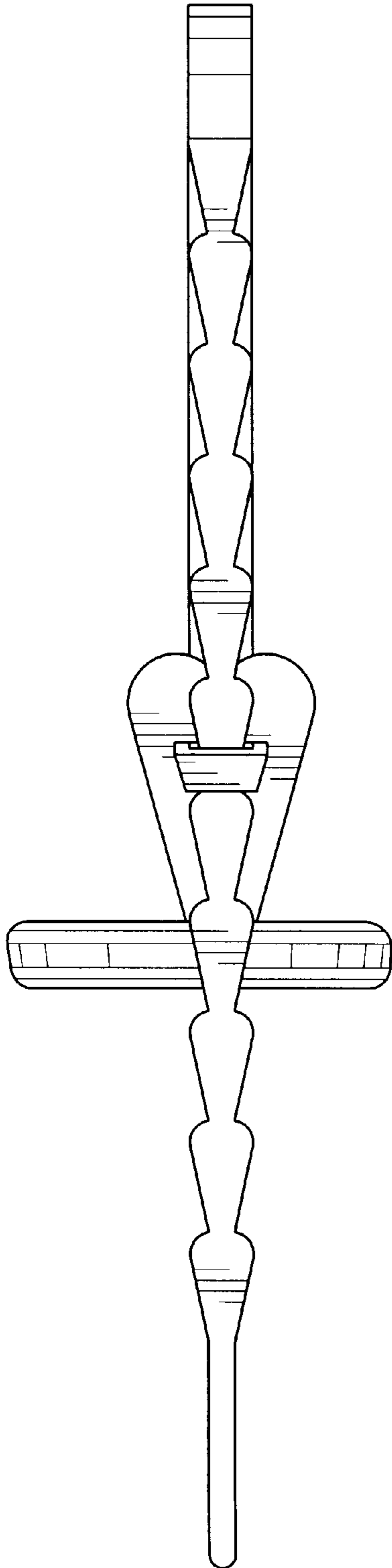


FIG. 5

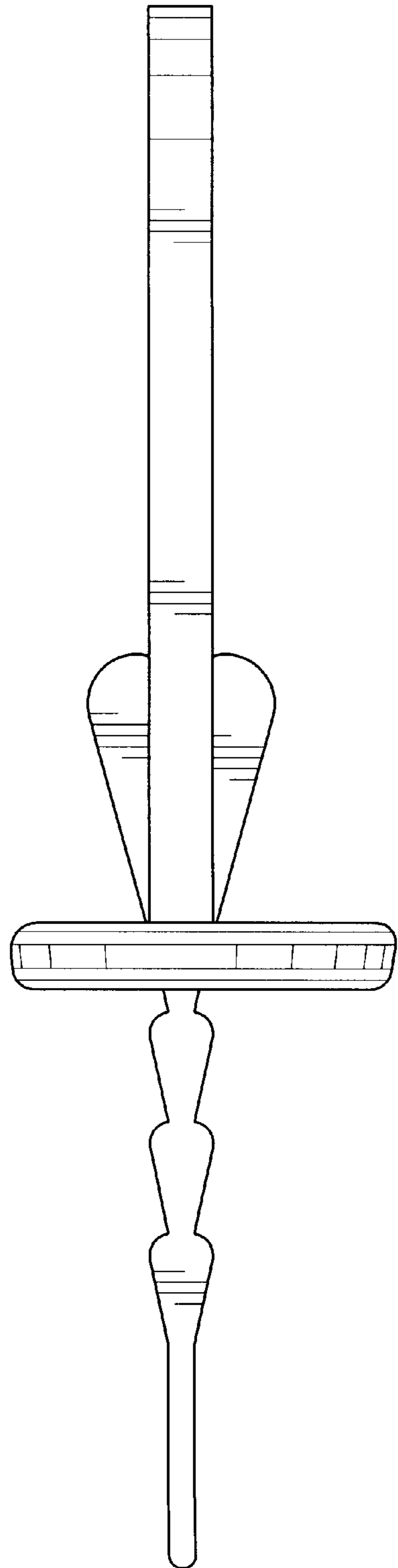


FIG. 6

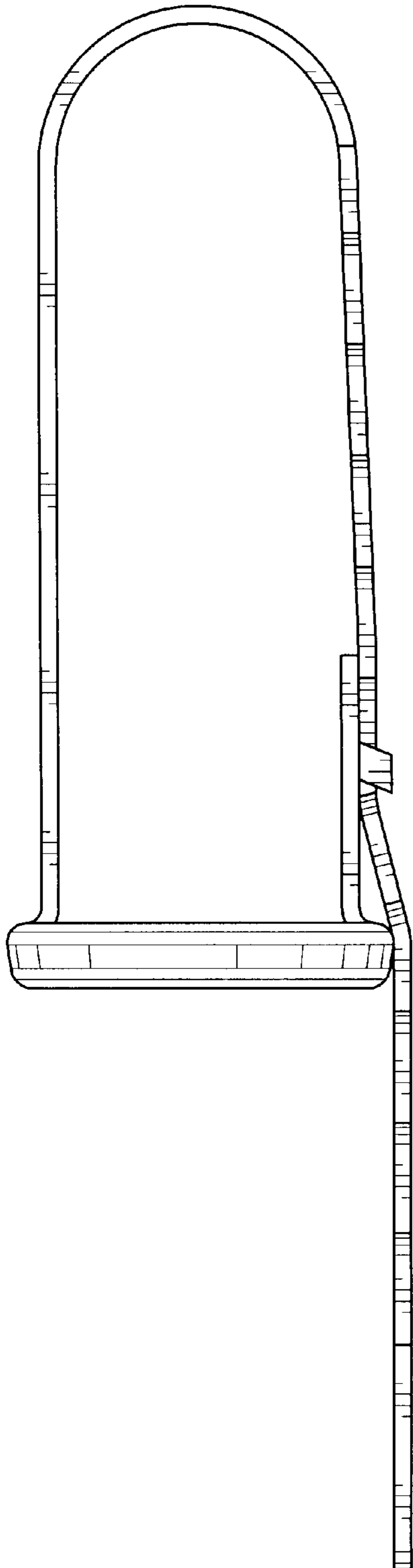


FIG. 7

