



US00D414261S

United States Patent [19]
Ritsche

[11] **Patent Number: Des. 414,261**

[45] **Date of Patent: ** Sep. 21, 1999**

[54] **COMBINED PHARMACEUTICAL
DISCHARGE APPARATUS AND LID**

5,289,818 3/1994 Citterio et al. 128/200.14
5,427,280 6/1995 Fuchs 222/320
5,511,698 4/1996 Solignac 222/162

[75] Inventor: **Stefan Ritsche**, Radolfzell, Germany

Primary Examiner—Stella Reid
Attorney, Agent, or Firm—Quarles & Brady

[73] Assignee: **Ing. Erich Pfeiffer GmbH**, Germany

[**] Term: **14 Years**

[57] **CLAIM**

[21] Appl. No.: **29/095,769**

The ornamental design for a combined pharmaceutical discharge apparatus and lid, as shown and described.

[22] Filed: **Oct. 29, 1998**

DESCRIPTION

Related U.S. Application Data

[62] Division of application No. 29/069,952, Apr. 18, 1997.

FIG. 1 is a front elevational view of a combined pharmaceutical discharge apparatus and lid, showing my new design with the lid removed;

[30] **Foreign Application Priority Data**

Oct. 23, 1996 [DE] Germany M9609369

FIG. 2 is a side elevational view thereof;

[51] **LOC (6) Cl.** **24-04**

[52] **U.S. Cl.** **D24/110**

[58] **Field of Search** D24/110, 110.5;
222/320, 321.1, 383.1, 385; 128/200.23,
200.21, 200.14

FIG. 3 is an opposite side elevational view thereof;

FIG. 4 is a top plan view thereof;

FIG. 5 is a bottom plan view thereof;

FIG. 6 is an opposite front perspective view thereof;

FIG. 7 is a front elevational view thereof with the lid attached;

FIG. 8 is a side elevational view thereof;

FIG. 9 is an opposite side elevational view thereof;

FIG. 10 is a top plan view thereof;

FIG. 11 is a bottom plan view thereof;

FIG. 12 is an opposite front perspective view thereof; and,

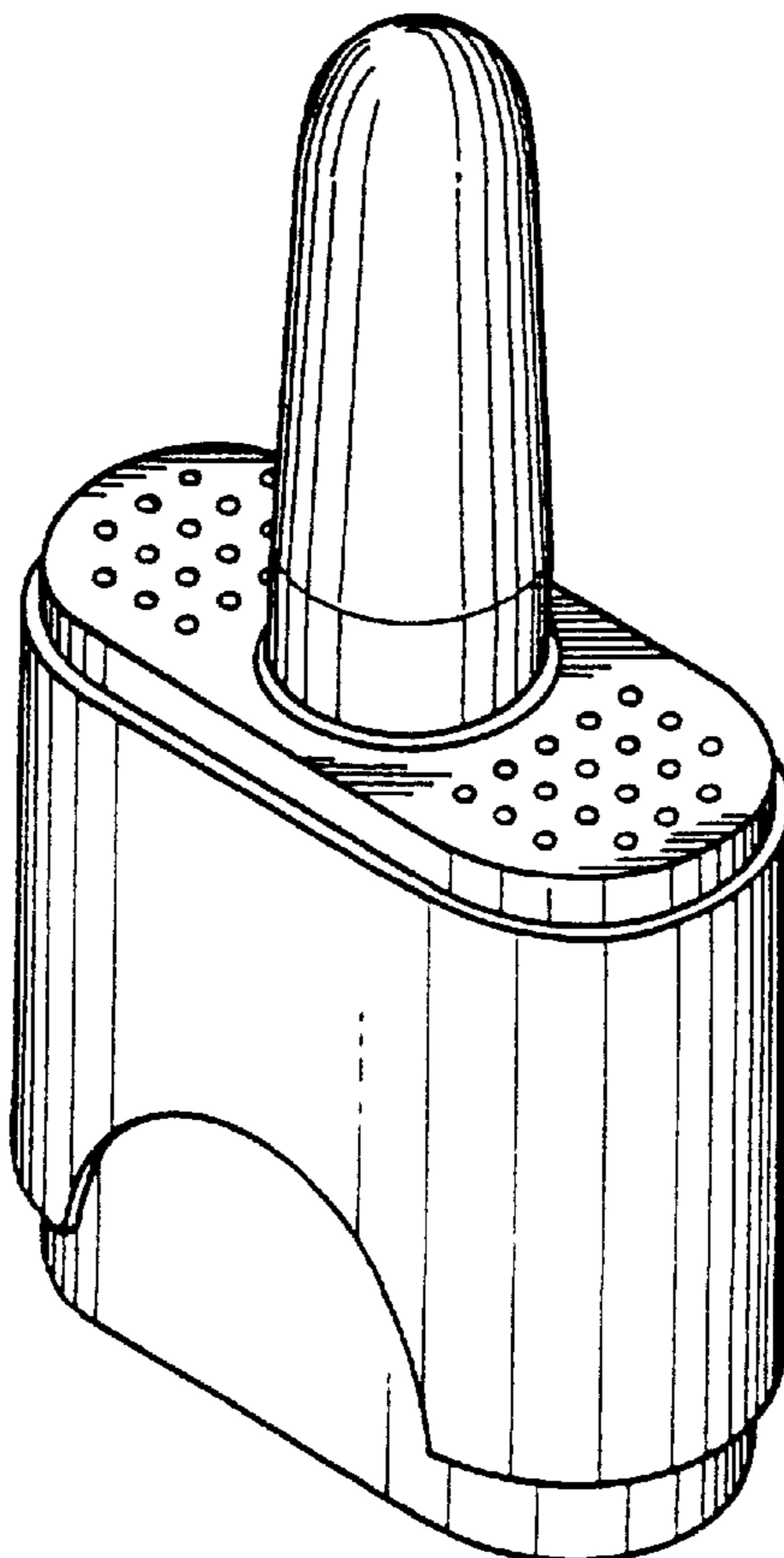
FIG. 13 is another front perspective view thereof, with the lid in separated condition.

[56] **References Cited**

U.S. PATENT DOCUMENTS

D. 237,017 9/1975 Beaufour D24/110
D. 359,555 6/1995 Funai et al. D24/110
4,946,069 8/1990 Fuchs 222/321.1 X

1 Claim, 3 Drawing Sheets



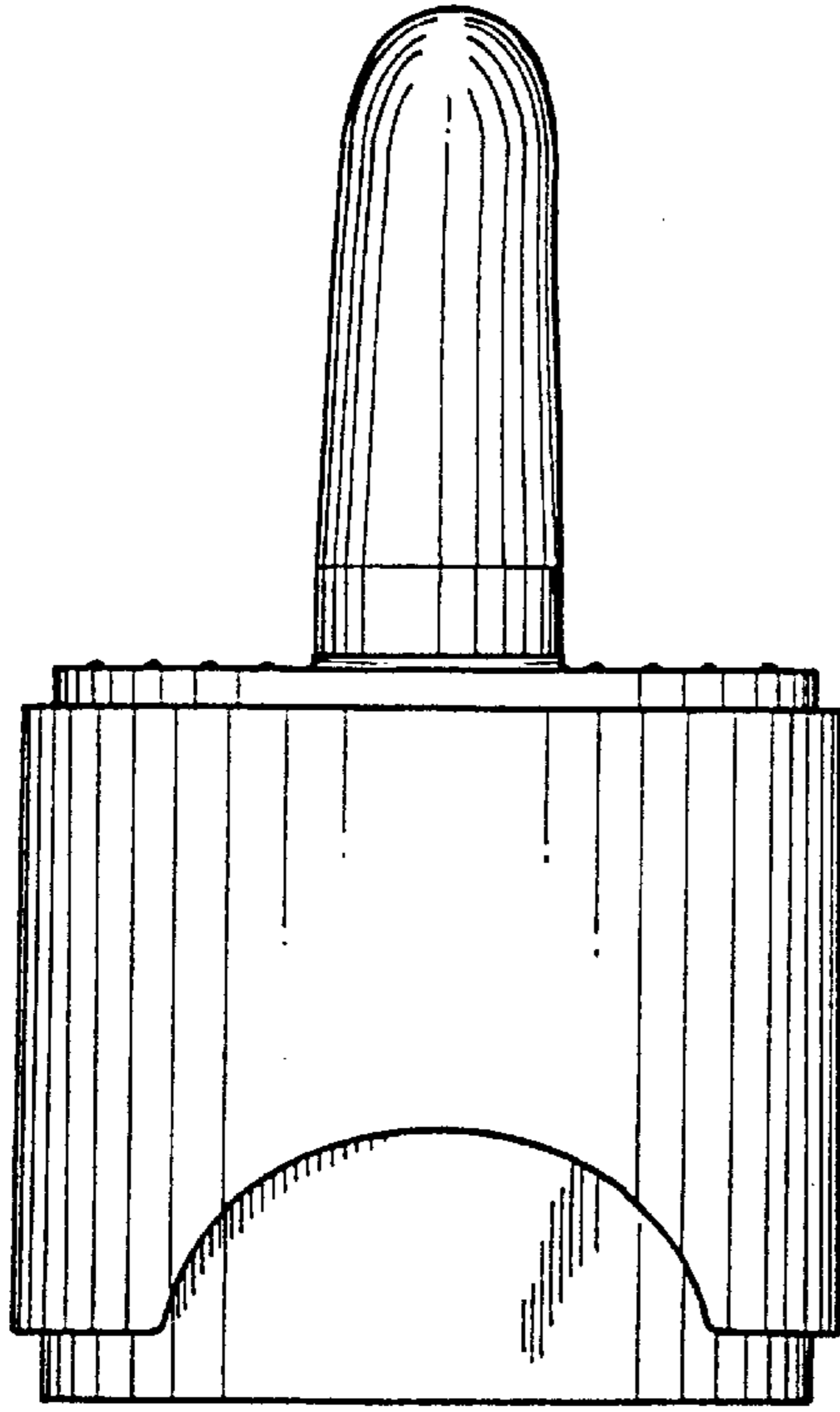


Fig. 1

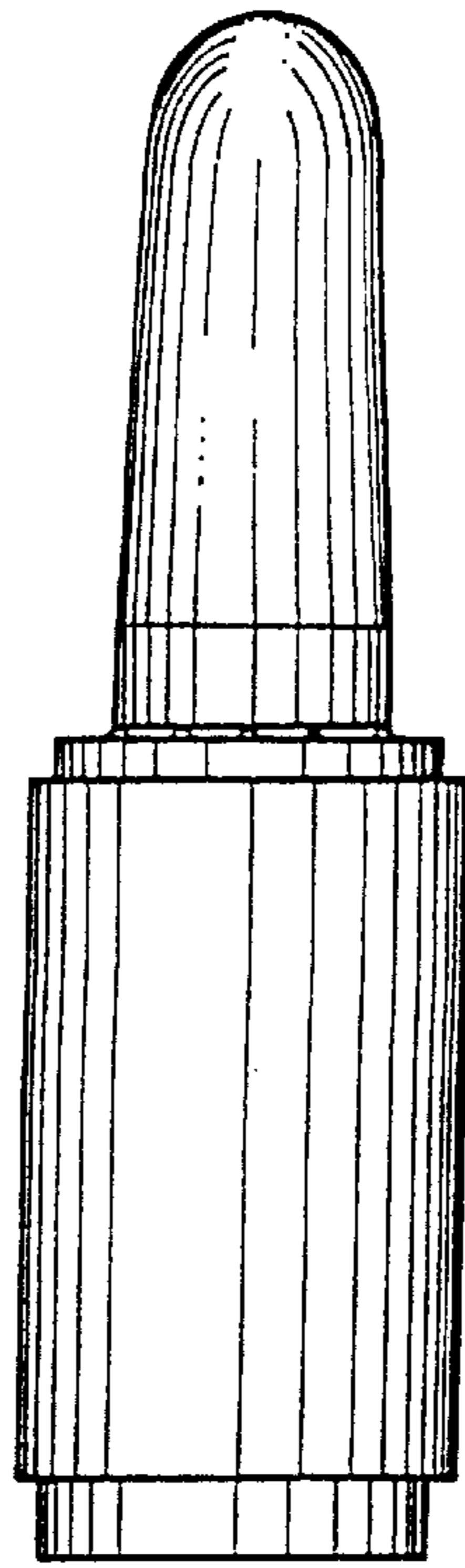


Fig. 2

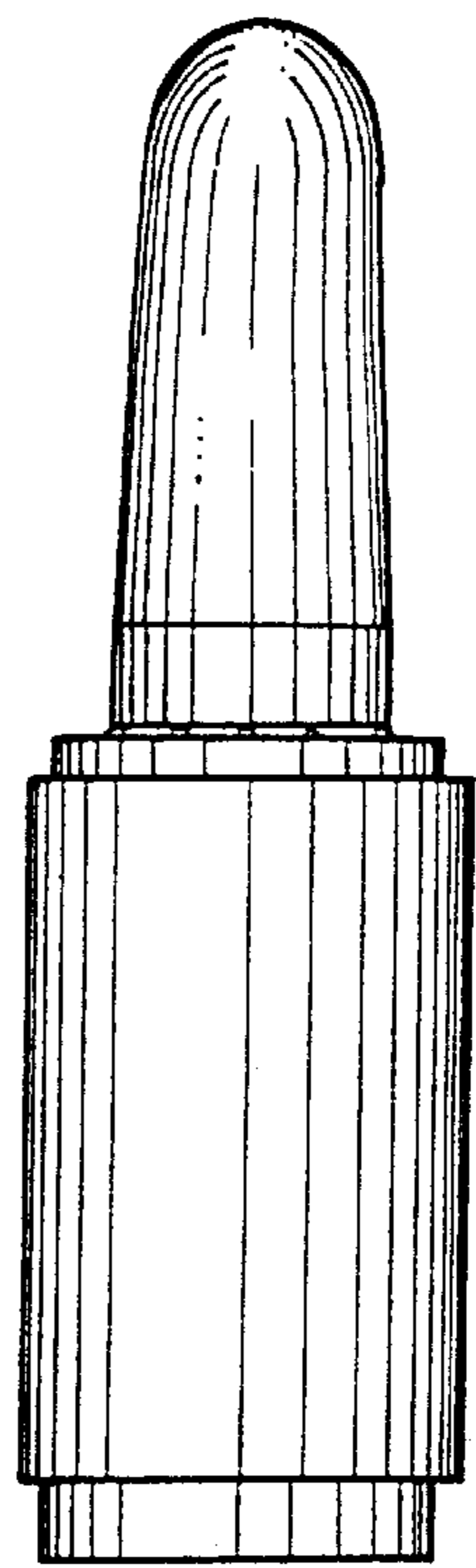


Fig. 3

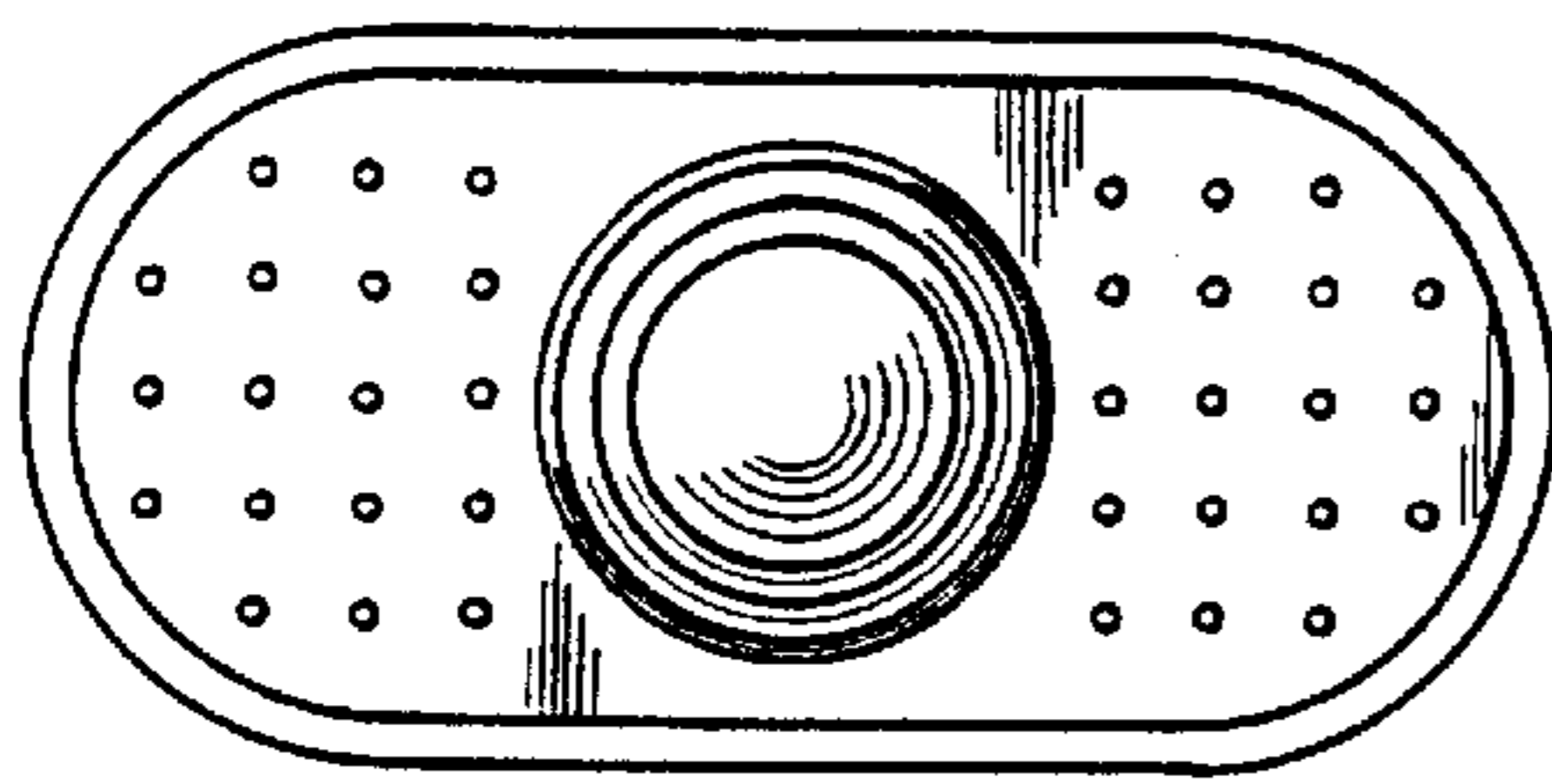


Fig. 4

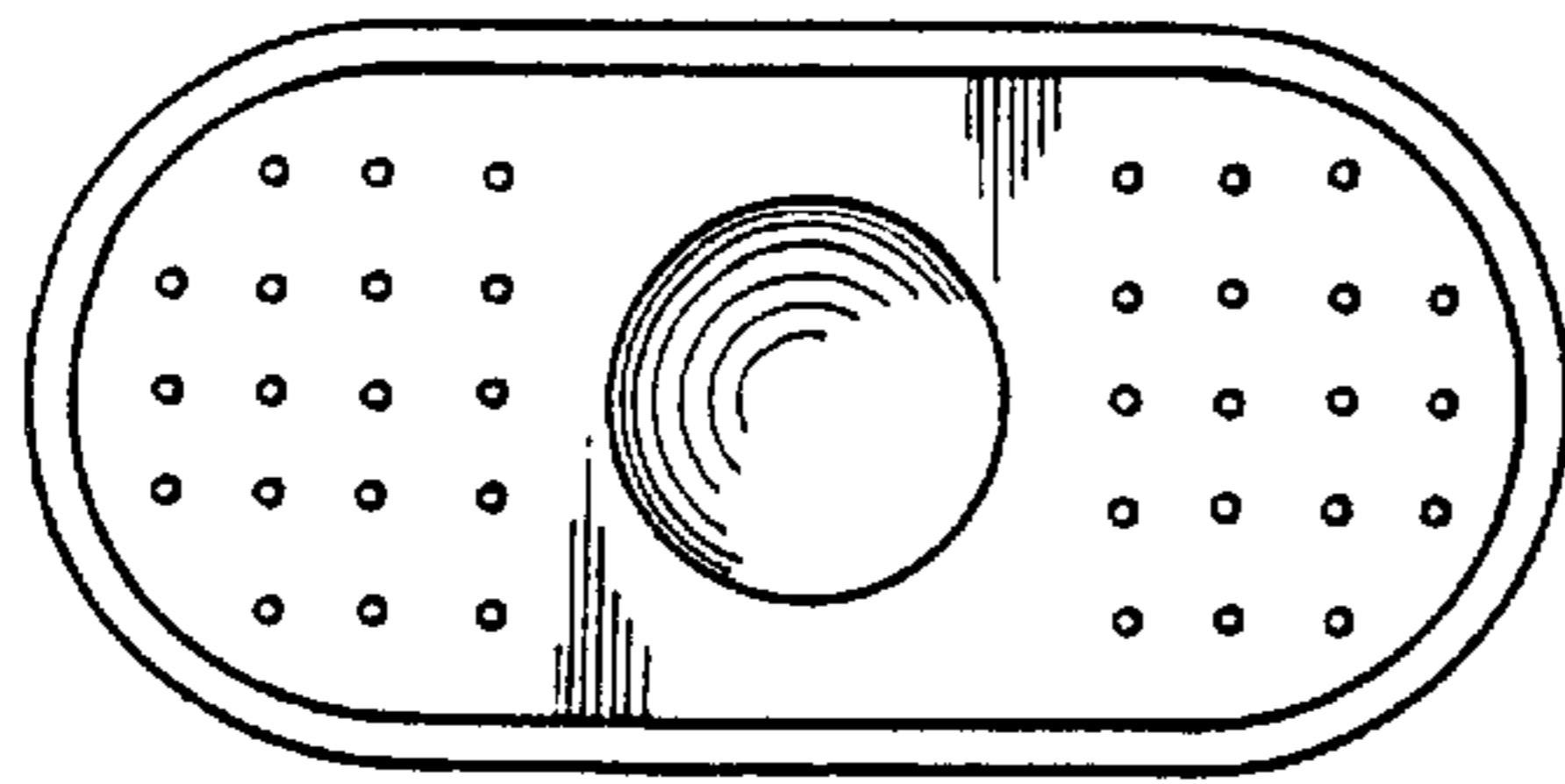


Fig. 5

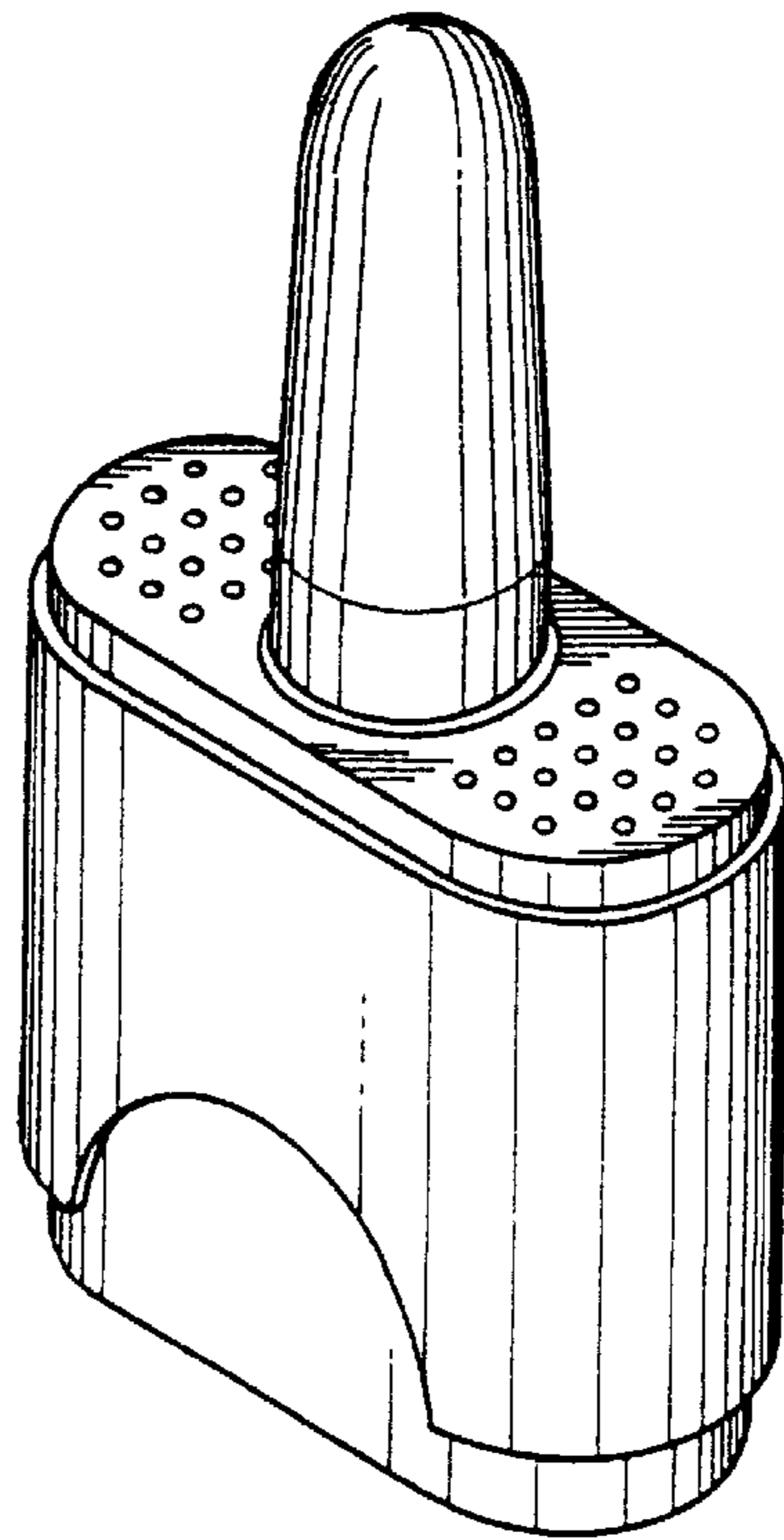


Fig. 6

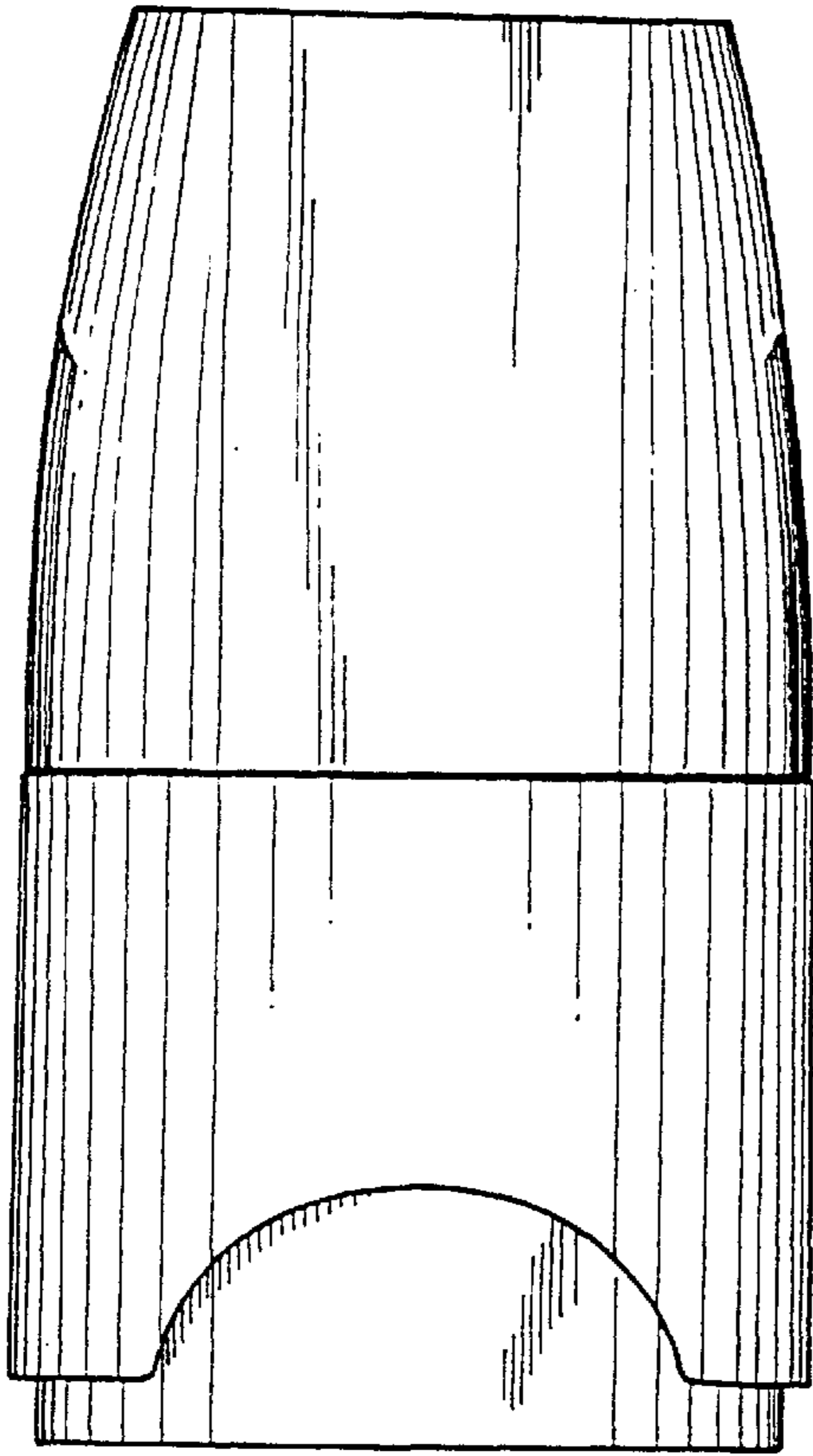


Fig. 7

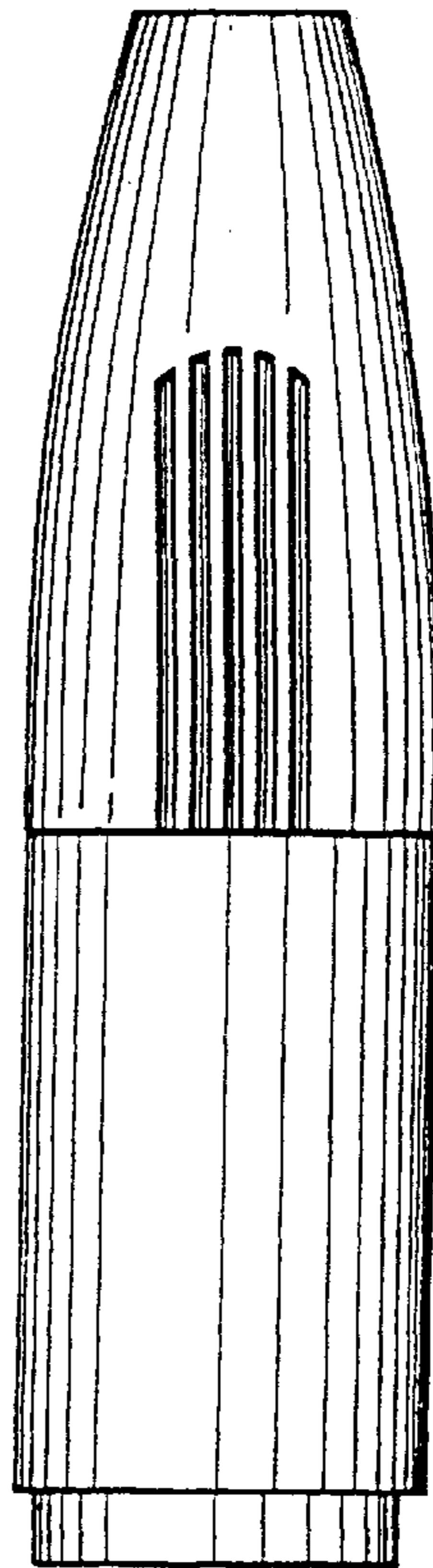


Fig. 8

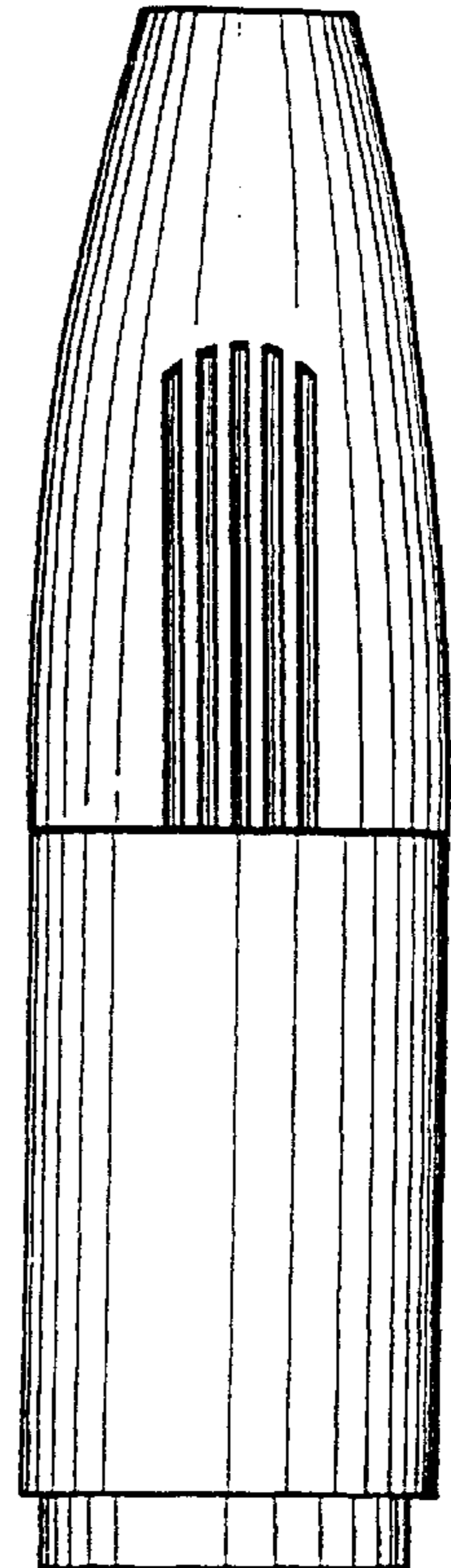


Fig. 9

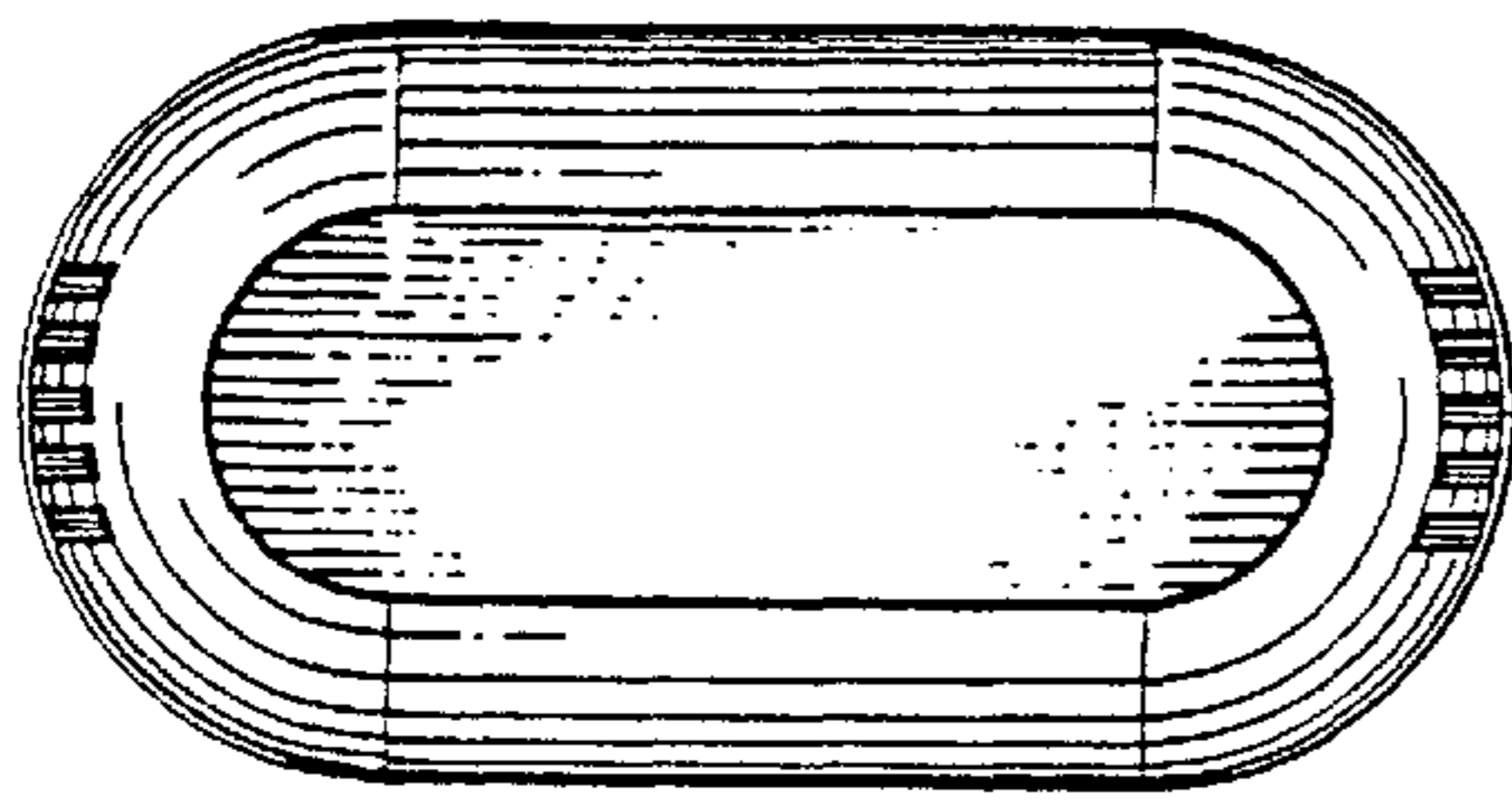


Fig. 10

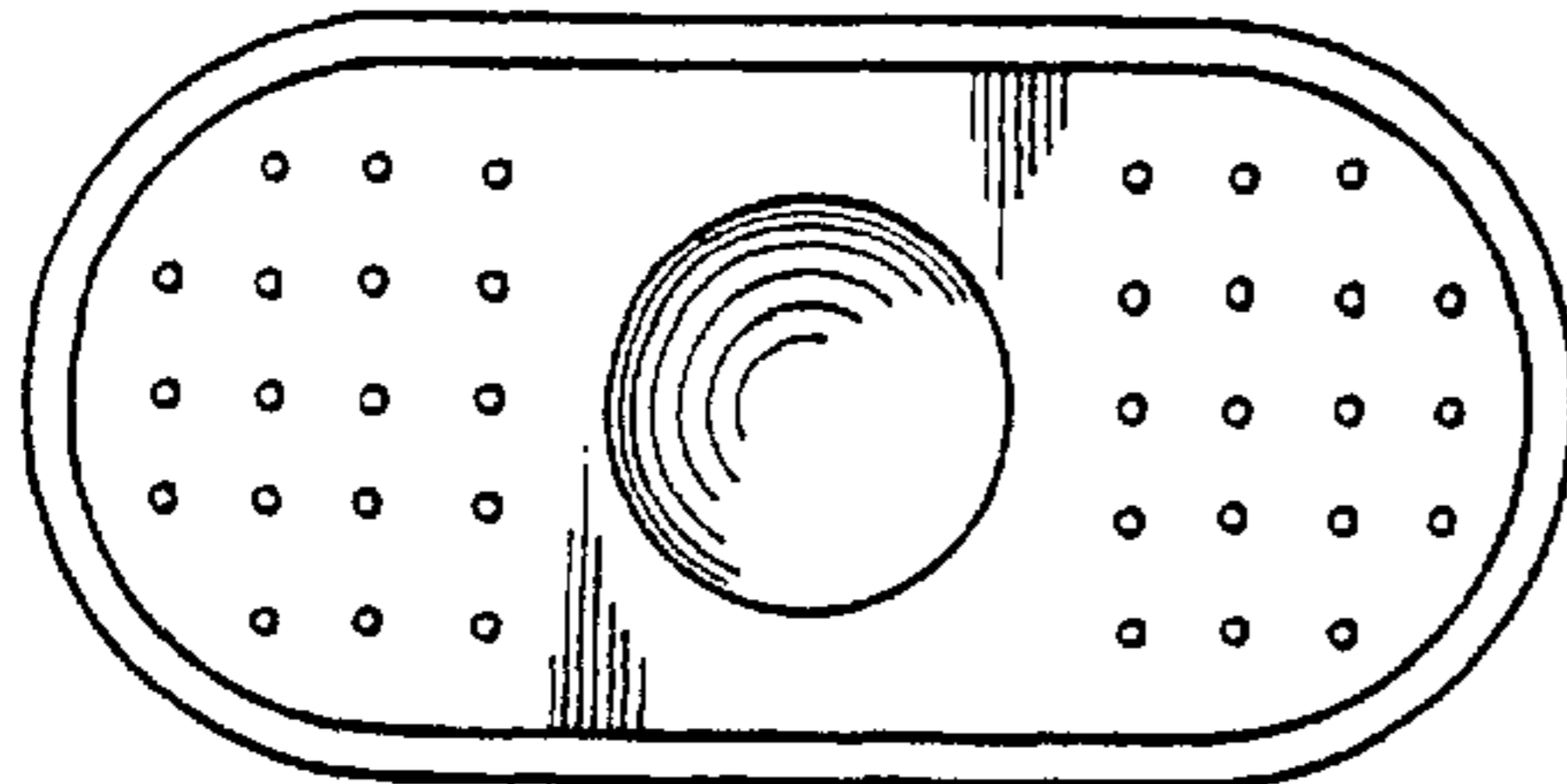


Fig. 11

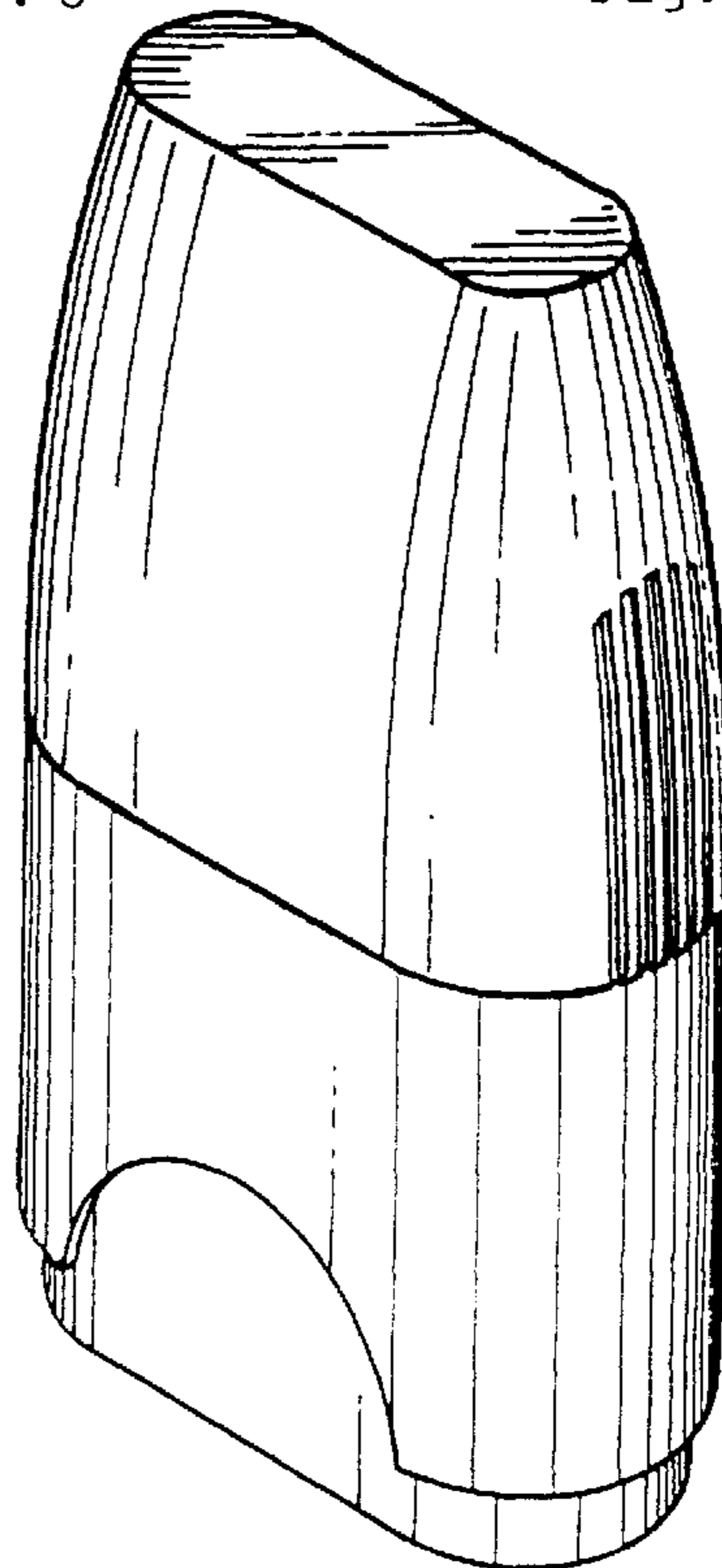


Fig. 12

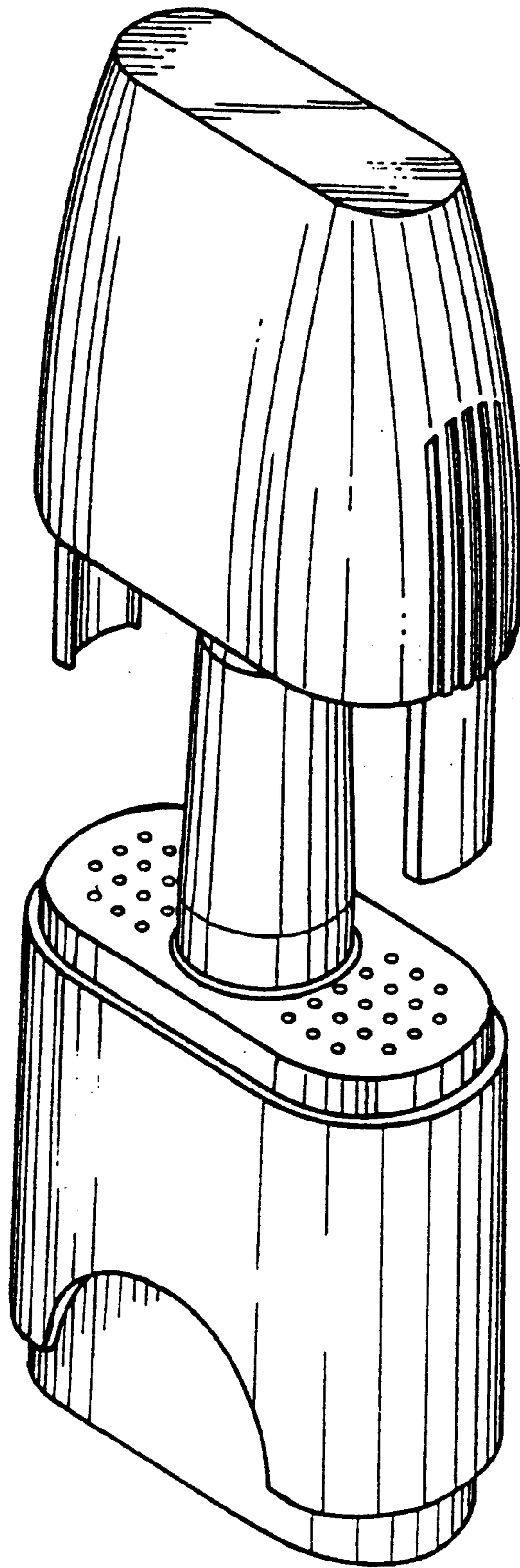


Fig. 13