



US00D414260S

# United States Patent [19] Conner

[11] Patent Number: Des. 414,260

[45] Date of Patent: \*\* Sep. 21, 1999

[54] EARPLUG

D. 372,776 8/1996 Leight ..... D24/106  
4,936,411 6/1990 Leonard ..... 128/864 X

[75] Inventor: Dennis Frederick Conner,  
Bexhill-on-Sea, United Kingdom

Primary Examiner—Stella Reid  
Assistant Examiner—I Simmons  
Attorney, Agent, or Firm—Watson Cole Grindle Watson,  
P.L.L.C.

[73] Assignee: CK European Limited, East Sussex,  
United Kingdom

[\*\*] Term: 14 Years

### [57] CLAIM

[21] Appl. No.: 29/079,114

The ornamental design for an earplug, as shown and described.

[22] Filed: Nov. 10, 1997

### DESCRIPTION

[51] LOC (6) Cl. .... 24-04

[52] U.S. Cl. .... D24/106

[58] Field of Search ..... D24/106; 181/124,  
181/130; 128/864, 865

FIG. 1 is a front elevation view of the earplug showing my new design;

FIG. 2 is a top plan view thereof;

FIG. 3 is a sectional view taken along line 3—3 of FIG. 1;

FIG. 4 is a sectional view taken along line 4—4 of FIG. 1; and,

FIG. 5 is a bottom plan view thereof.

### [56] References Cited

#### U.S. PATENT DOCUMENTS

D. 298,356 11/1988 Falco ..... D24/106  
D. 330,761 11/1992 Falco ..... D24/106

1 Claim, 1 Drawing Sheet

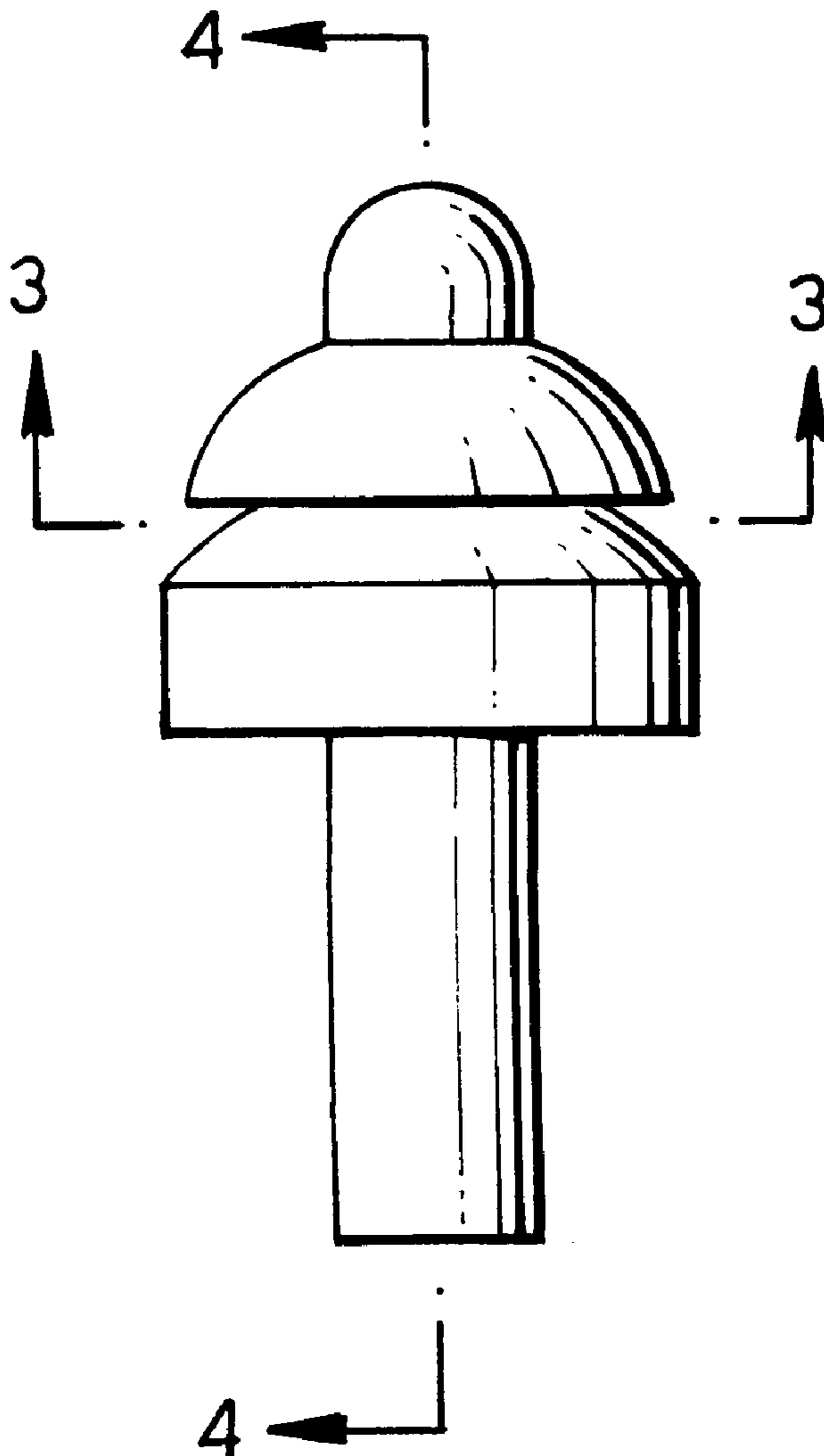


Fig.1.

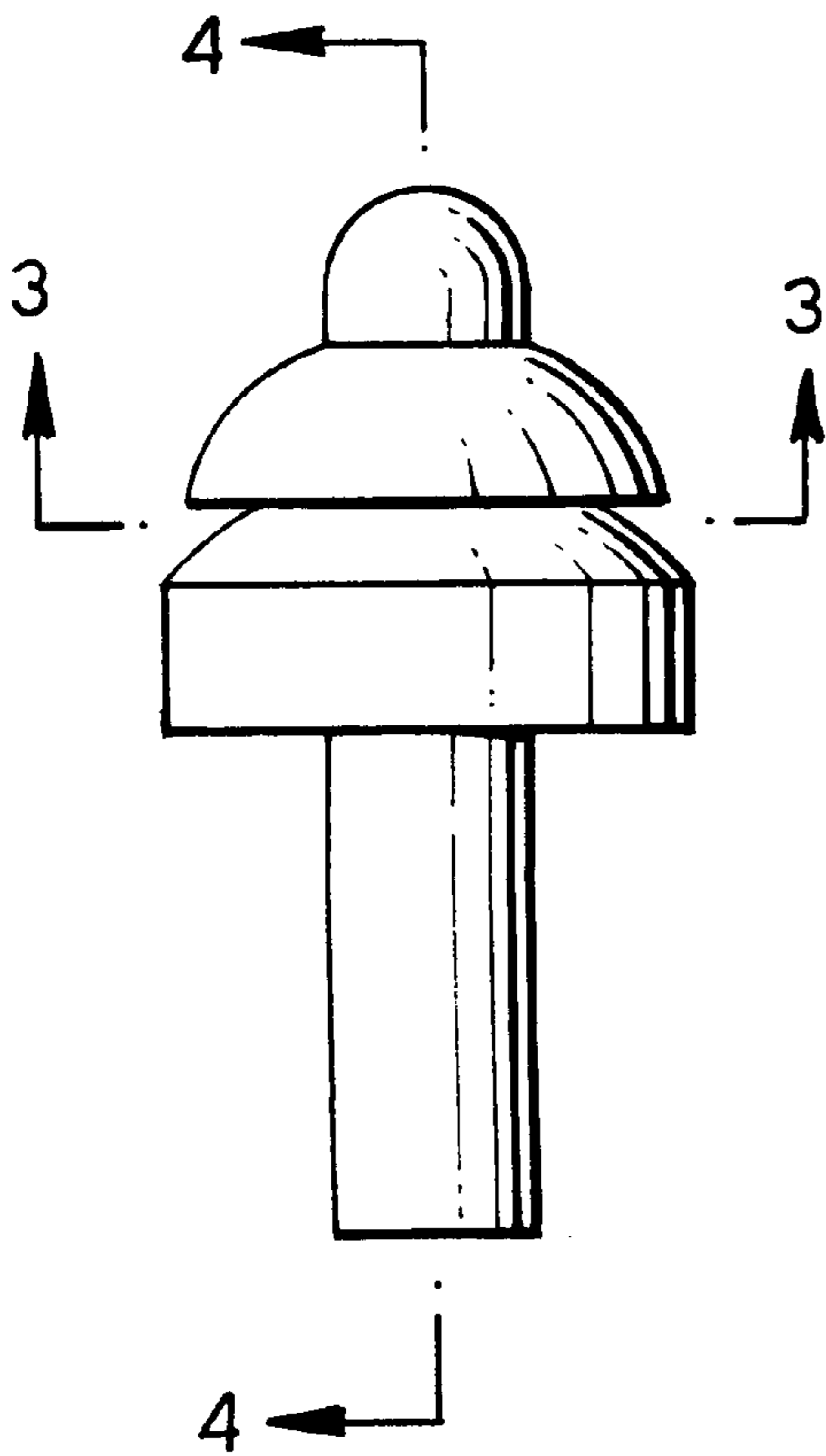


Fig.2.

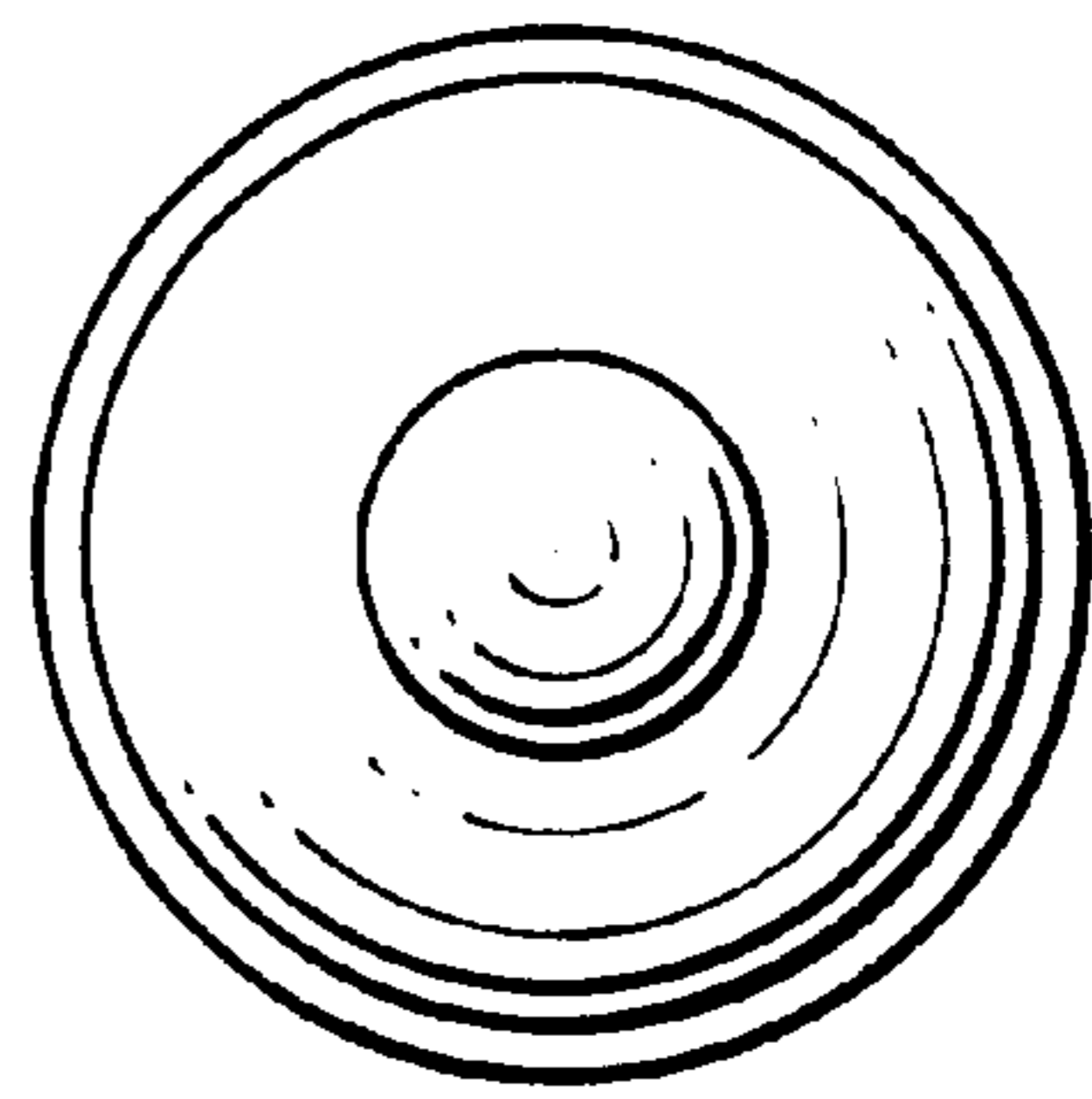


Fig.3.

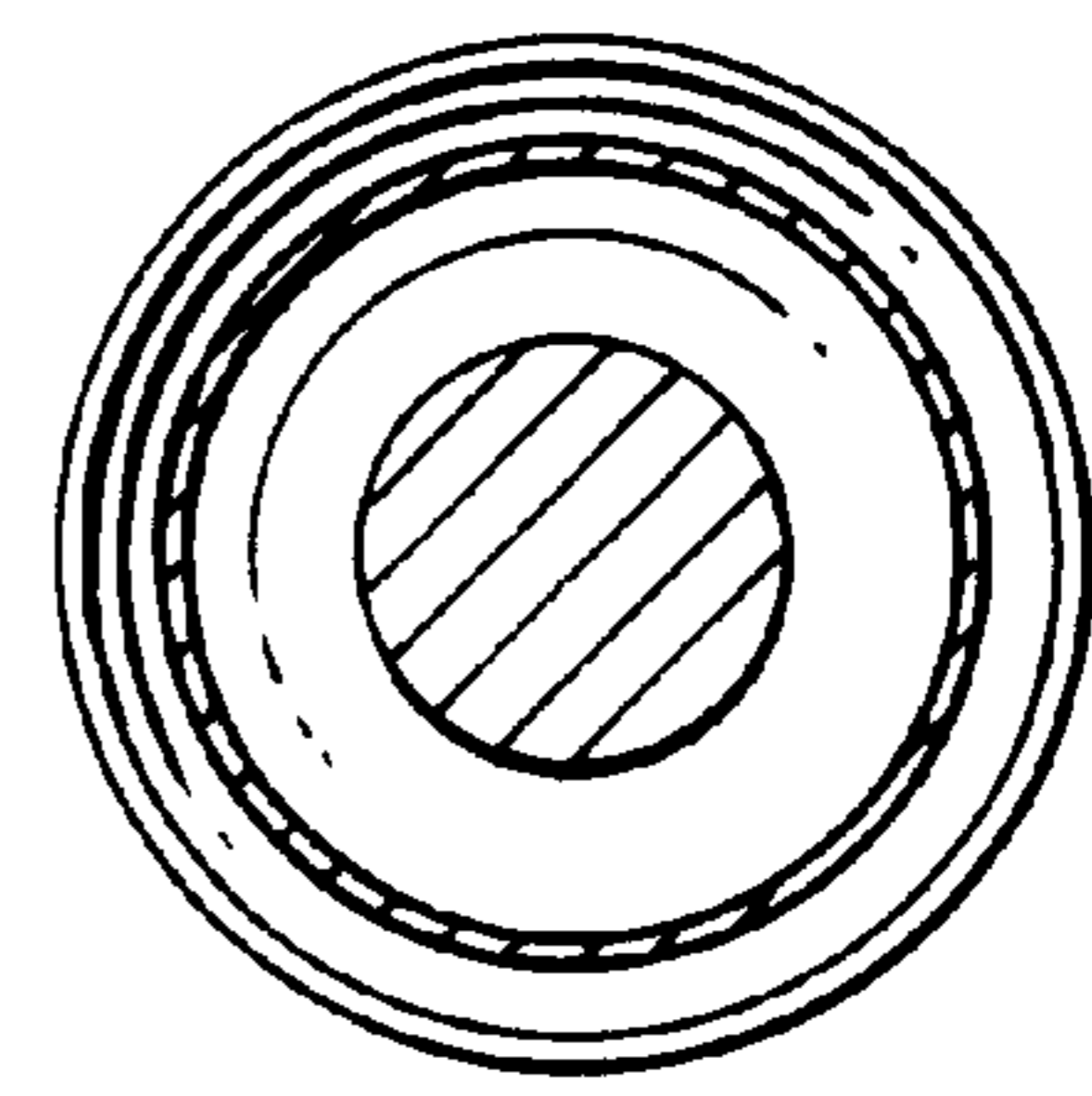


Fig.4.

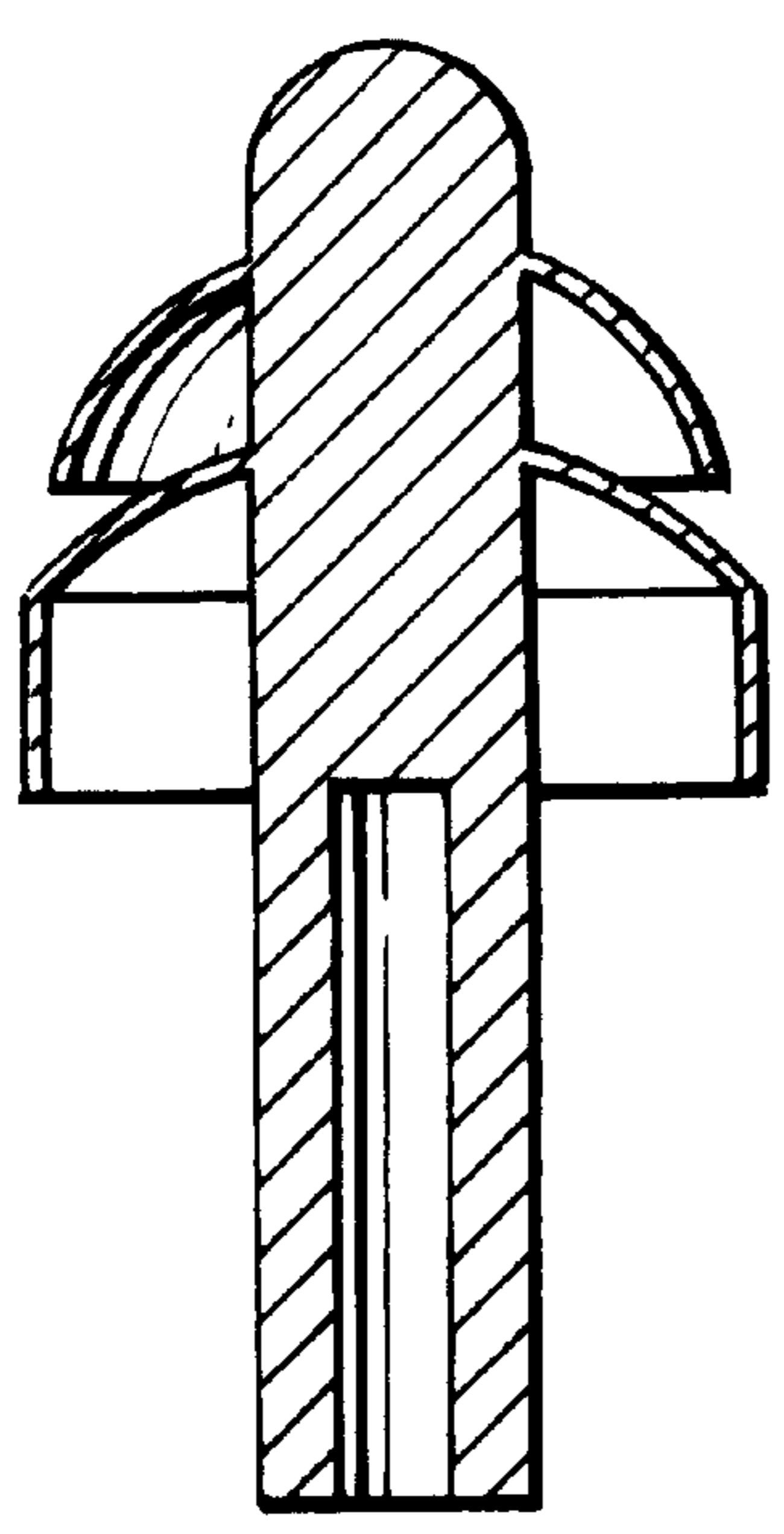


Fig.5.

