



US00D414257S

United States Patent [19] Estrada

[11] Patent Number: **Des. 414,257**

[45] Date of Patent: **** Sep. 21, 1999**

- [54] **FLUE PIPE HEAT EXCHANGER**
- [76] Inventor: **Rosalio Estrada**, 735 W. Rose St., Stockton, Calif. 95202
- [**] Term: **14 Years**
- [21] Appl. No.: **29/090,197**
- [22] Filed: **Jul. 2, 1998**
- [51] **LOC (6) Cl.** **23-99**
- [52] **U.S. Cl.** **D23/393; D21/386**
- [58] **Field of Search** **D23/342-350, D23/386-393, 403; 126/4-6, 58, 60-66, 120, 121, 123, 126, 531; 34/169**

5,357,686 10/1994 Jensen 34/169

Primary Examiner—Mitchell Siegel
Attorney, Agent, or Firm—Lothrop & West

[57] CLAIM

The ornamental design for a flue pipe heat exchanger, as shown and described.

DESCRIPTION

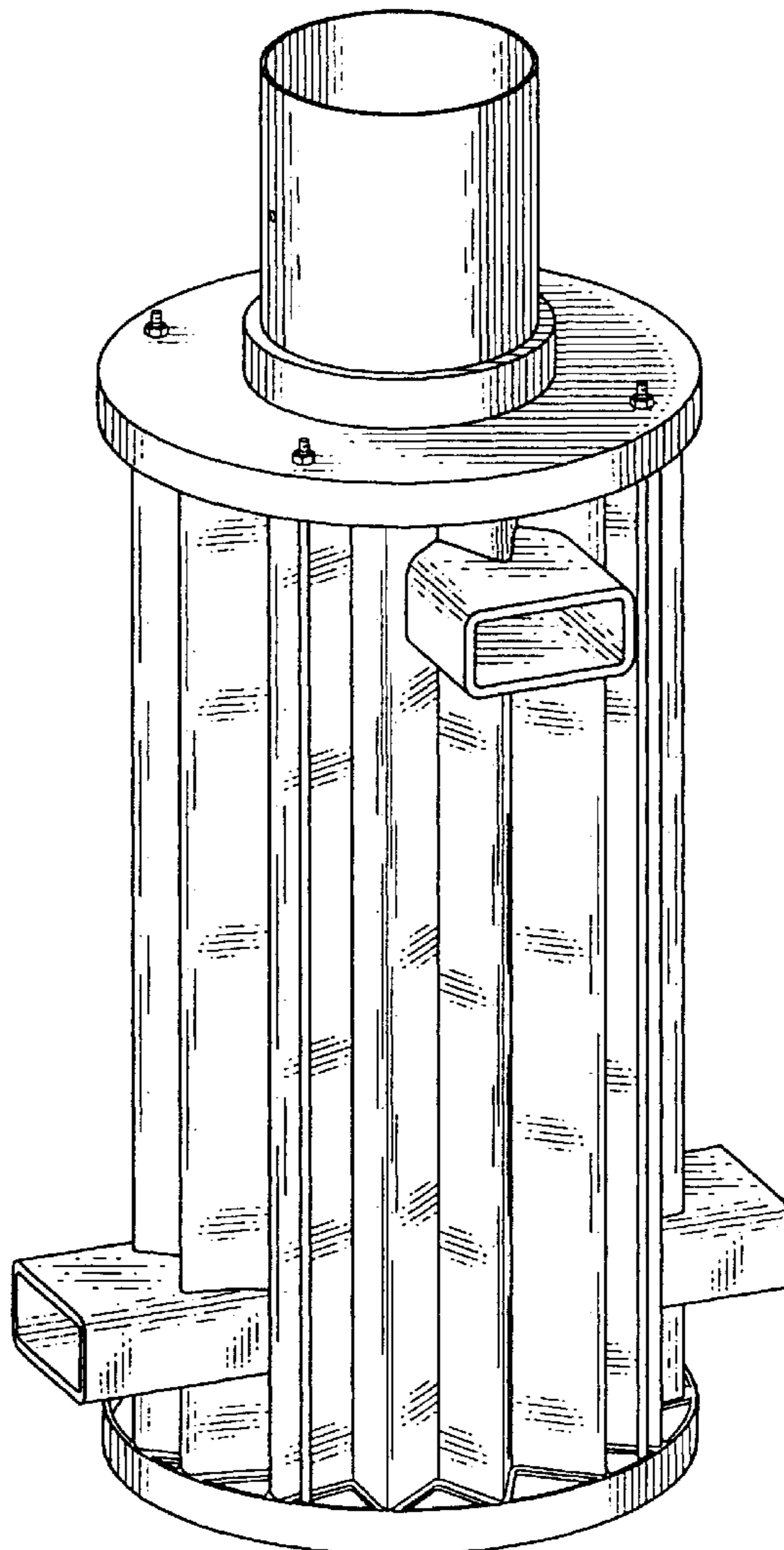
FIG. 1 is a perspective view of a flue pipe heat exchanger, showing my new design;
 FIG. 2 is a front elevational view, the rear elevational view being substantially identical thereto;
 FIG. 3 is a top plan view, thereof;
 FIG. 4 is an elevational view of one side, the opposite side view being substantially identical thereto;
 FIG. 5 is a bottom plan view; and,
 FIG. 6 is a perspective view as FIG. 1, but taken to a reduced scale, the broken line representation of the flue damper handle and the stove being included solely for illustrative purposes, forming no part of the claimed design.

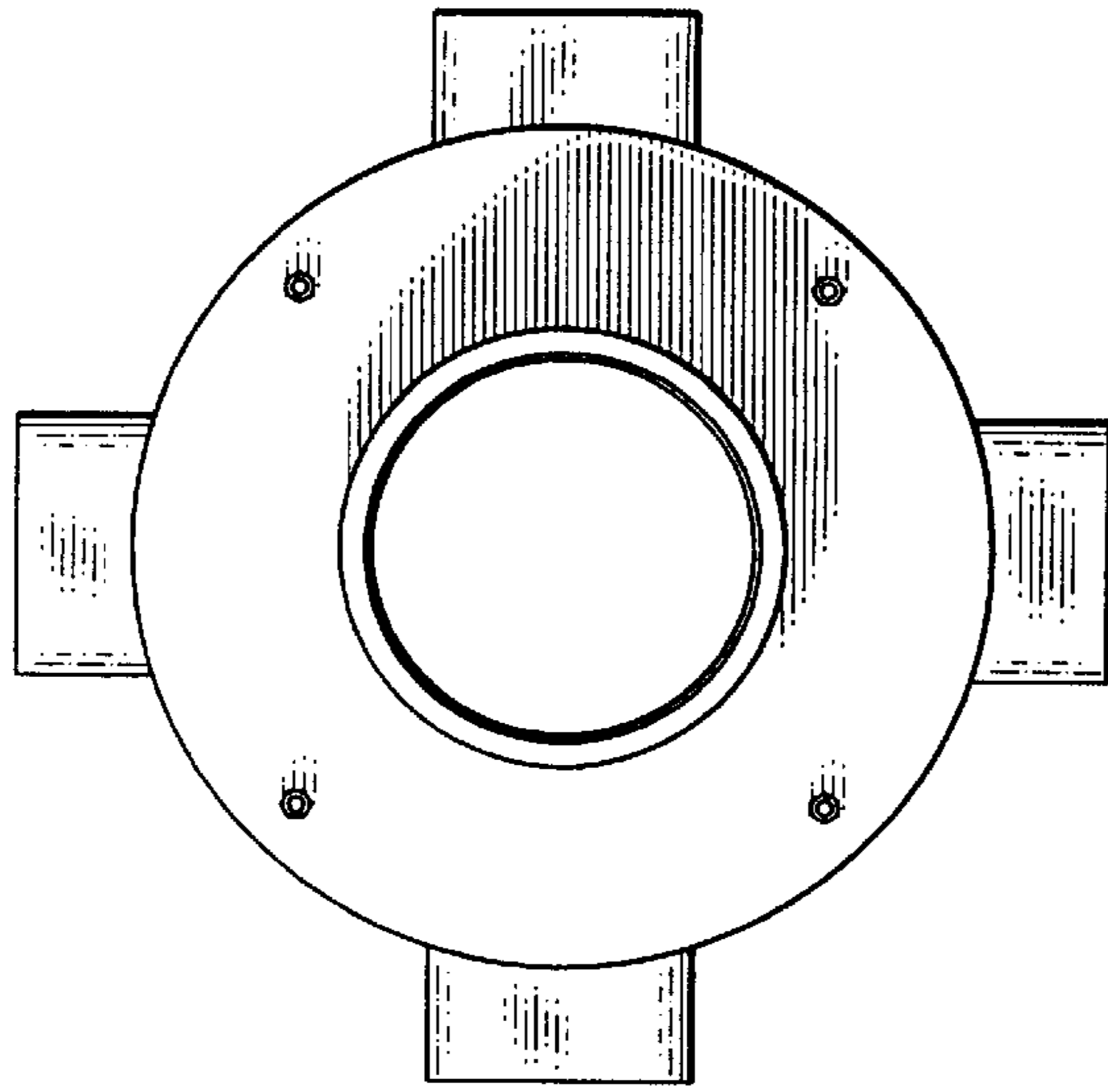
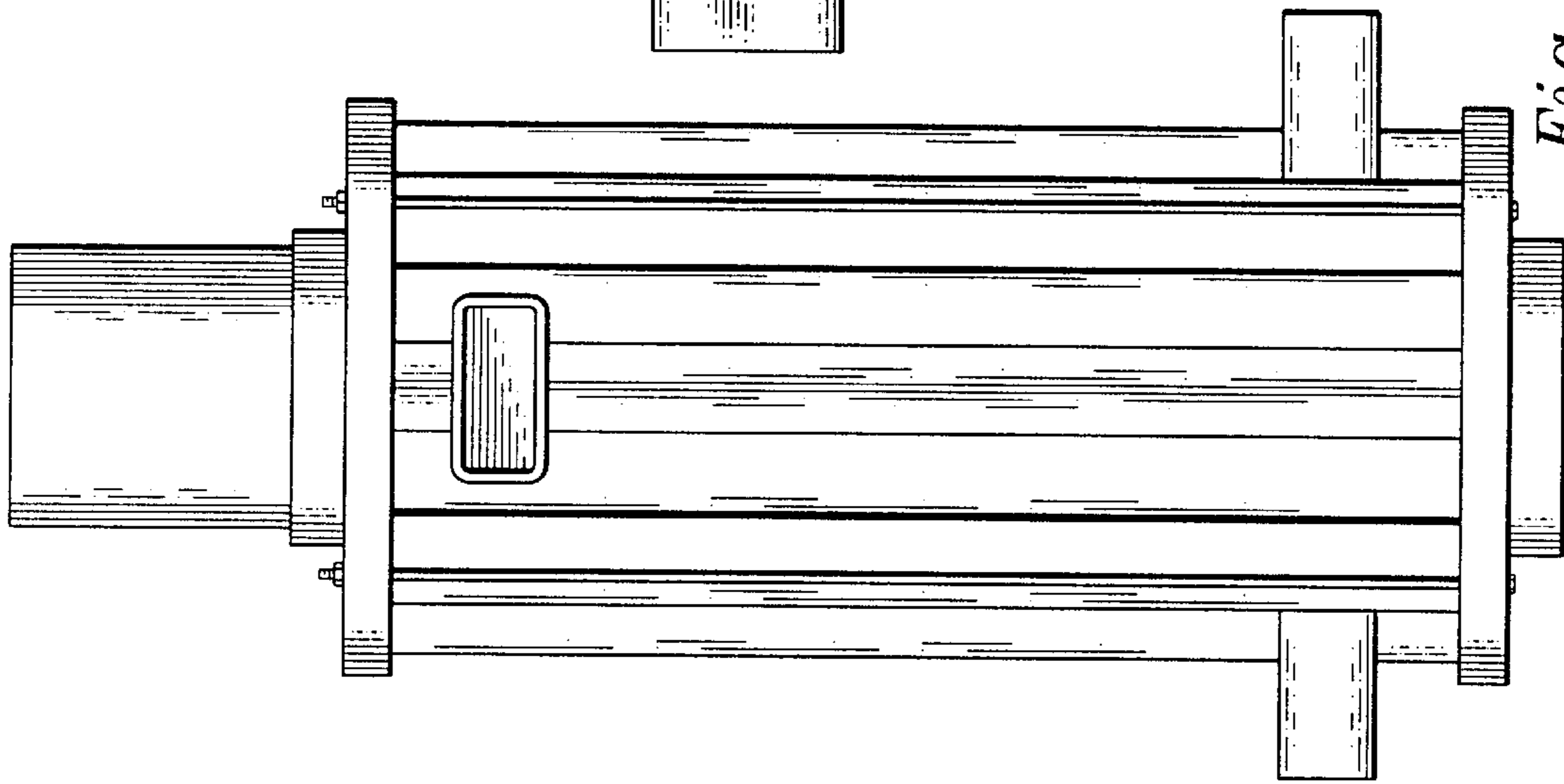
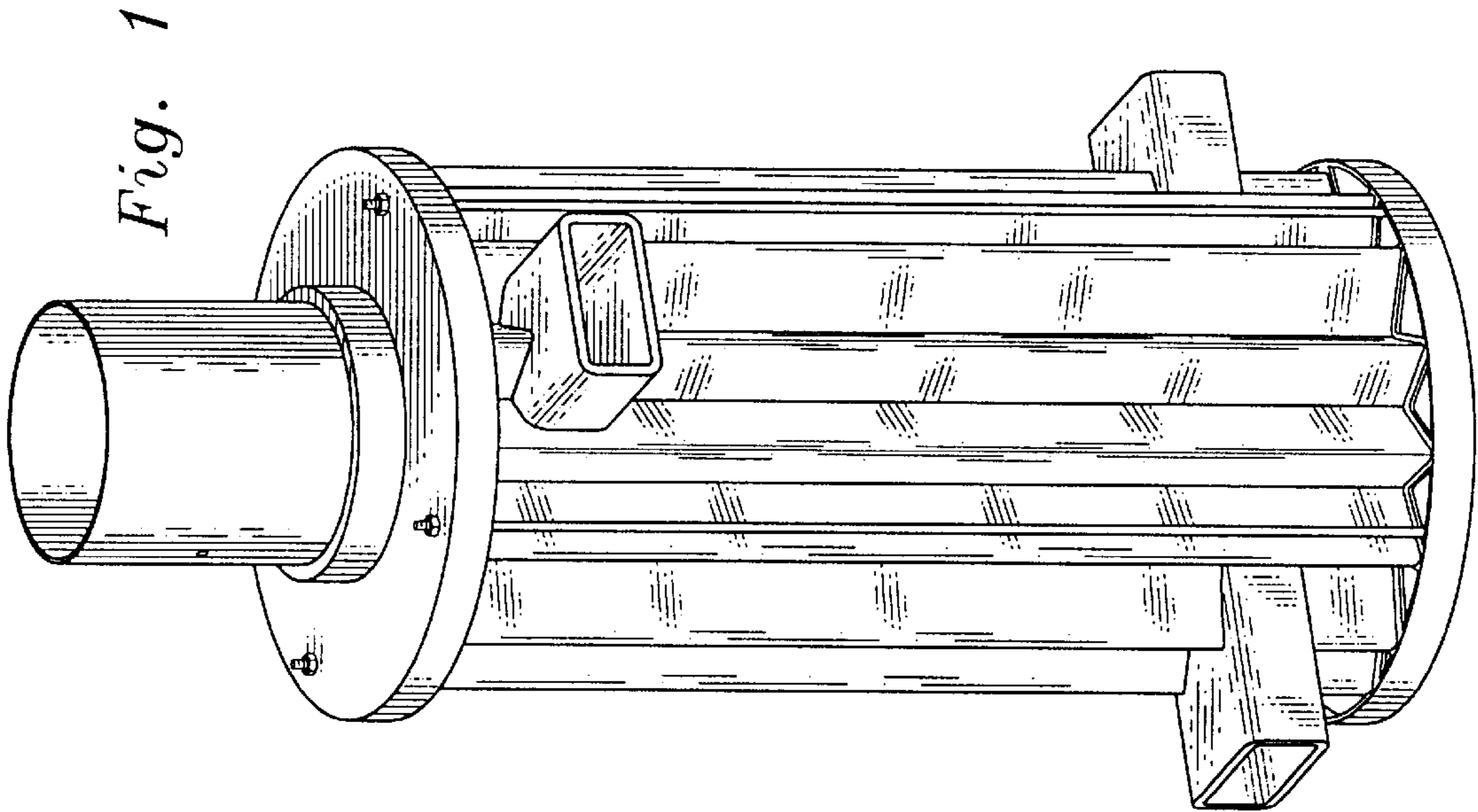
[56] References Cited

U.S. PATENT DOCUMENTS

D. 264,499	5/1982	Lundy	D23/350
D. 271,238	11/1983	Valencia	D23/386
D. 300,076	2/1989	Evans	D23/403
D. 346,020	4/1994	Kellogg et al.	D23/387
D. 358,204	5/1995	Ferrier	D23/314

1 Claim, 3 Drawing Sheets





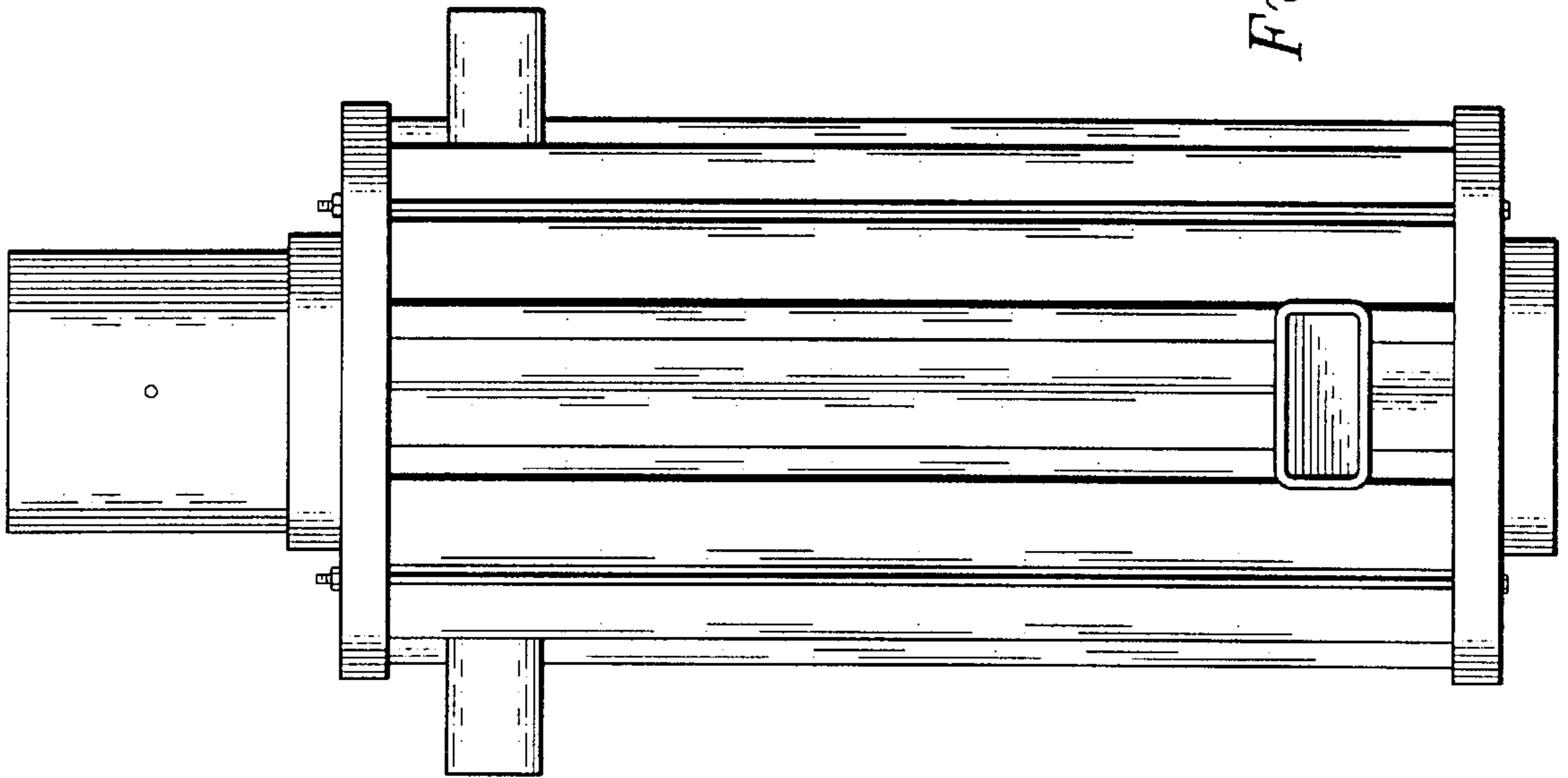


Fig. 4

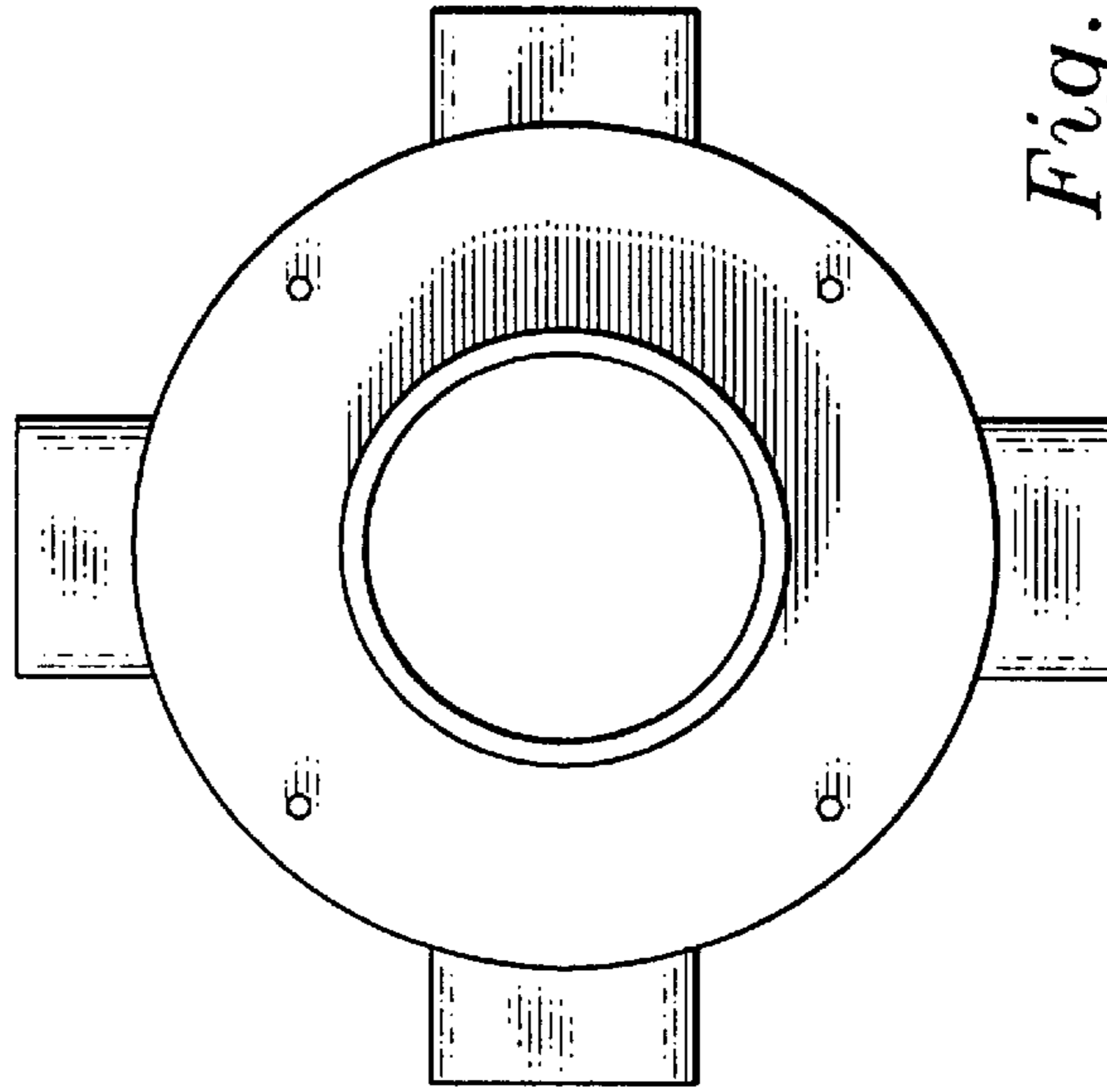


Fig. 5

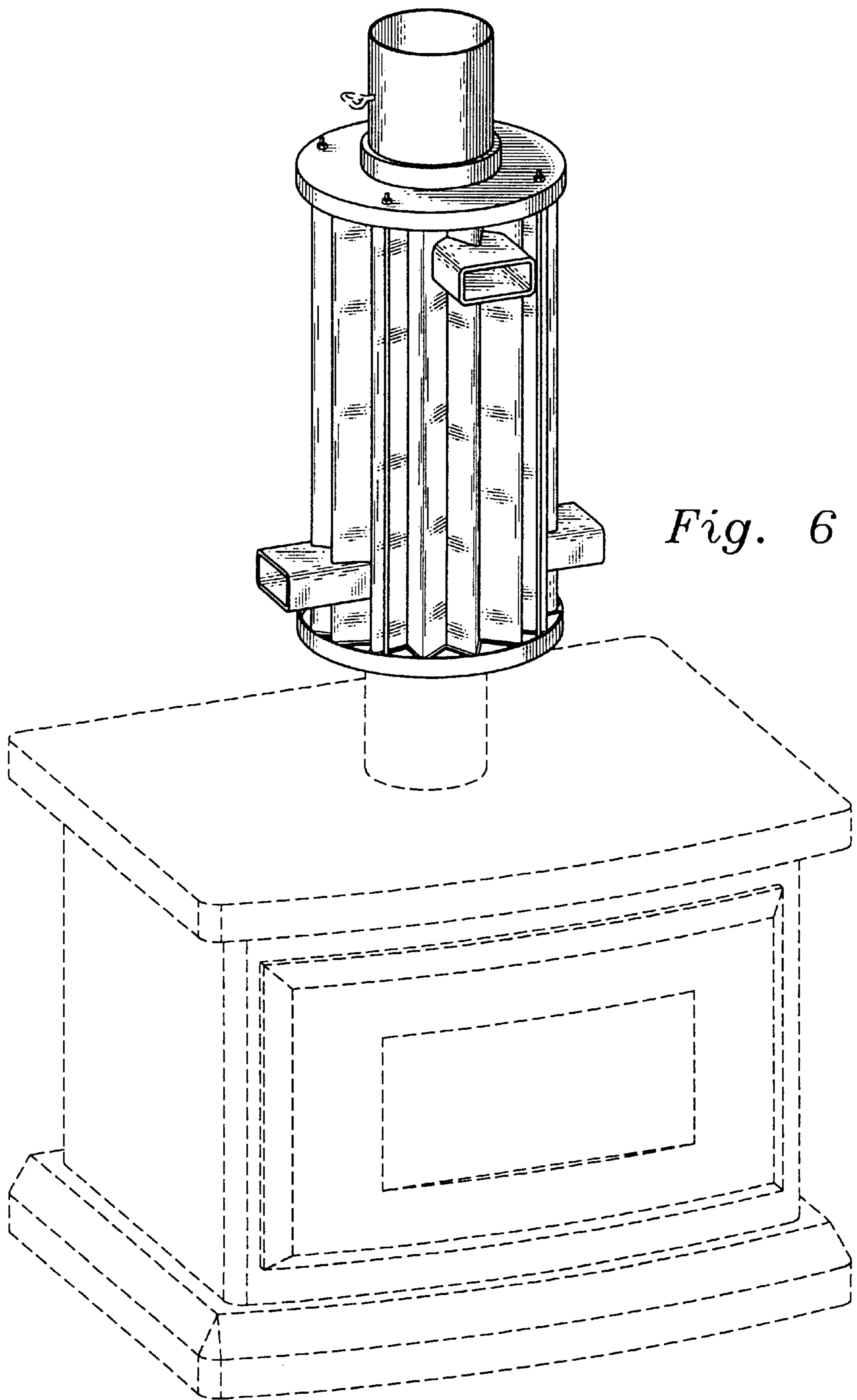


Fig. 6