



US00D414255S

United States Patent [19]
Wu

[11] **Patent Number: Des. 414,255**

[45] **Date of Patent: ** Sep. 21, 1999**

[54] **ROOM DEODORANT DISPENSER**

D. 390,941 2/1998 Mei .

[75] Inventor: **Henry Wu**, West Hartford, Conn.

Primary Examiner—Lisa Lichtenstein
Attorney, Agent, or Firm—Ira S. Dorman

[73] Assignee: **Aromate Industries Co., Ltd.**, Taiwan

[**] Term: **14 Years**

[57] **CLAIM**

[21] Appl. No.: **29/096,849**

The ornamental design for a room deodorant dispenser, as shown and described.

[22] Filed: **Nov. 20, 1998**

DESCRIPTION

[51] **LOC (6) Cl.** **23-04**

FIG. 1 is a perspective view of a room deodorant dispenser embodying the present invention;

[52] **U.S. Cl.** **D23/367**; D12/327; D21/442;
D23/366

FIG. 2 is a front view of the dispenser;

[58] **Field of Search** D23/366-369;
D21/430, 442; D12/327; 239/211, 34, 57,
55, 58, 60, 56; 261/DIG. 65; 422/305, 120

FIG. 3 is a rear view of the dispenser;

FIG. 4 is a top view of the dispenser;

FIG. 5 is a bottom view of the dispenser; and,

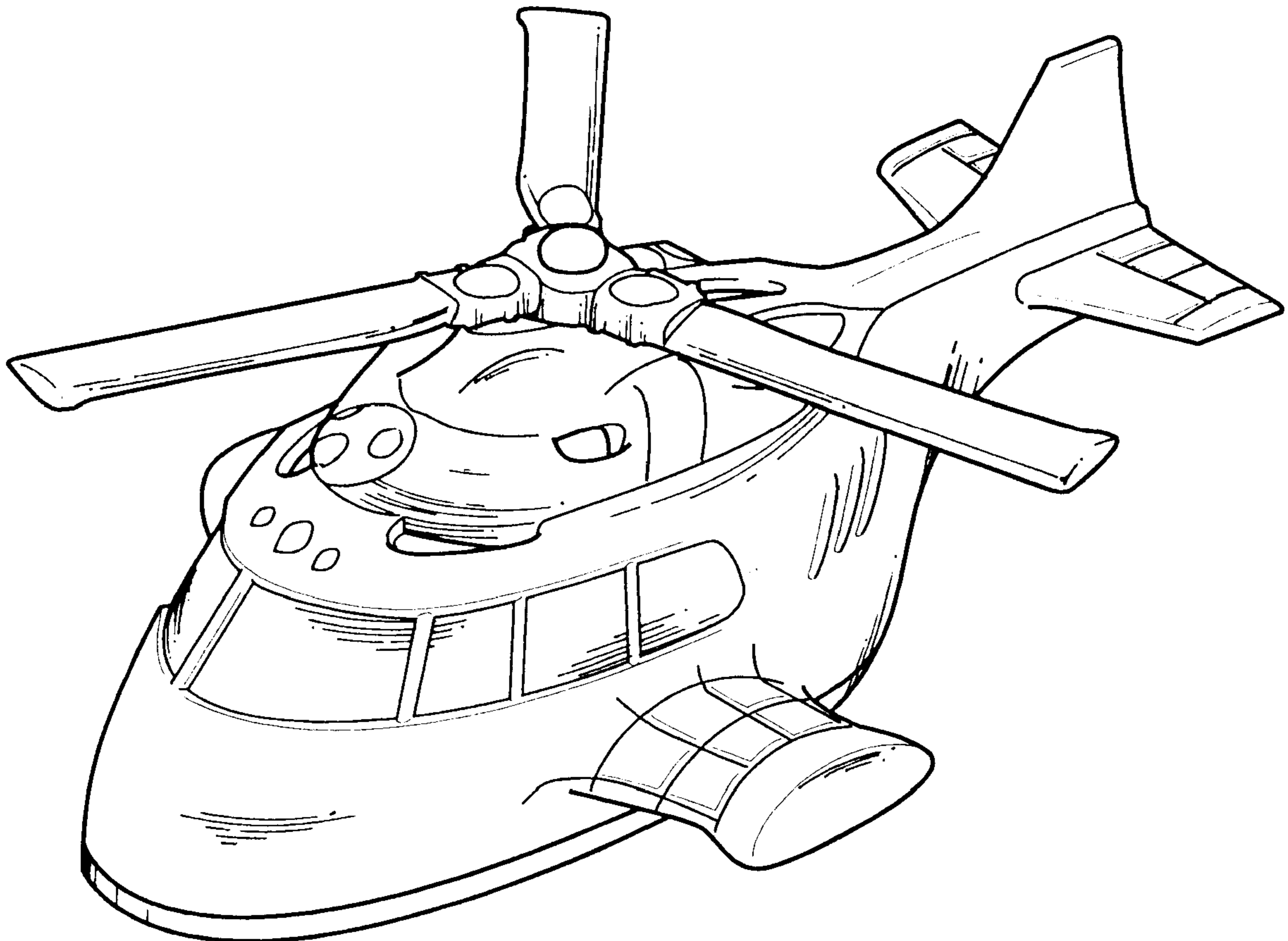
FIG. 6 is a view of one side of the dispenser, the opposite side being a mirror image thereof.

[56] **References Cited**

U.S. PATENT DOCUMENTS

D. 372,741 8/1996 Tsai D21/442

1 Claim, 4 Drawing Sheets



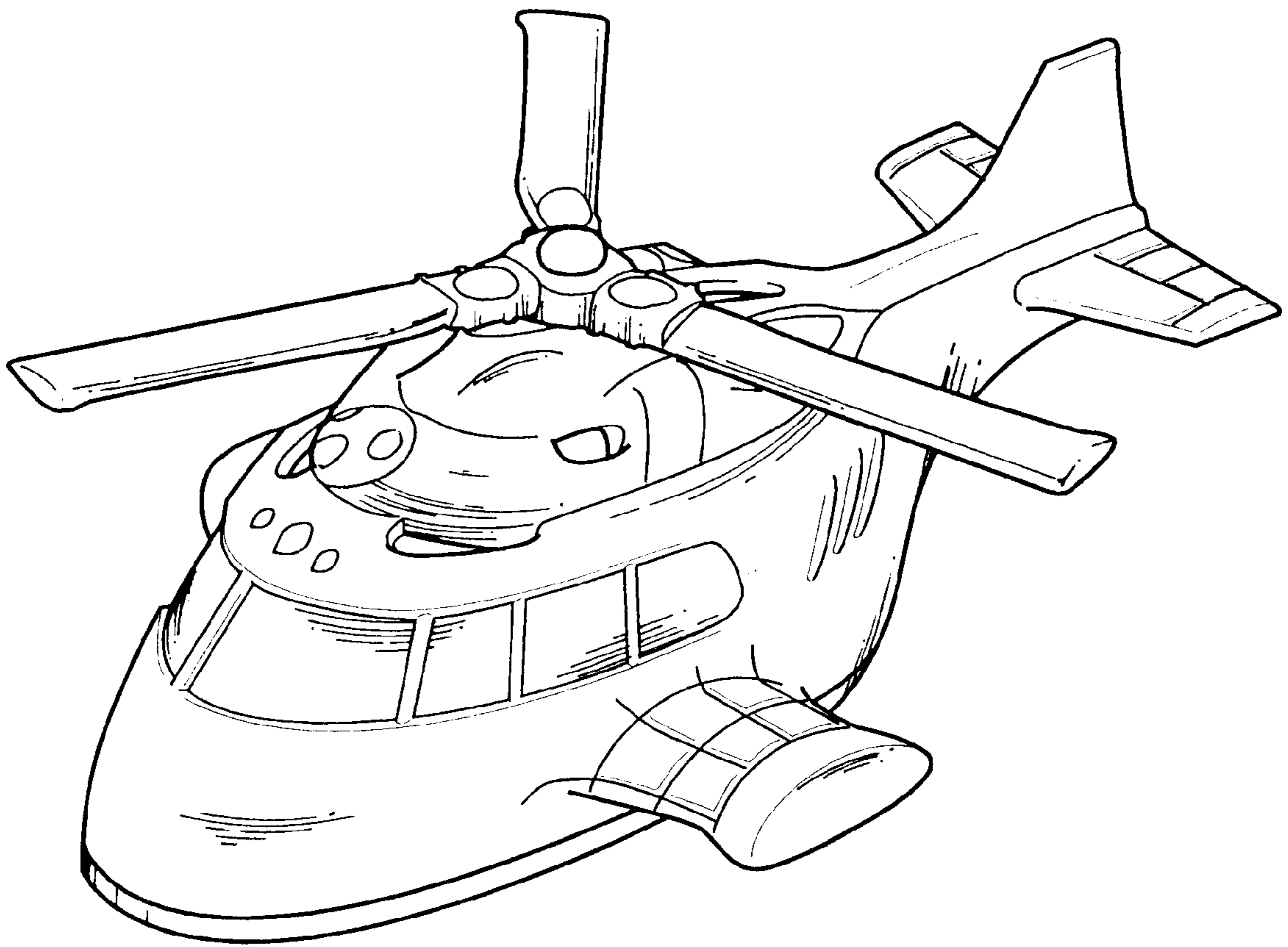


FIG. 1

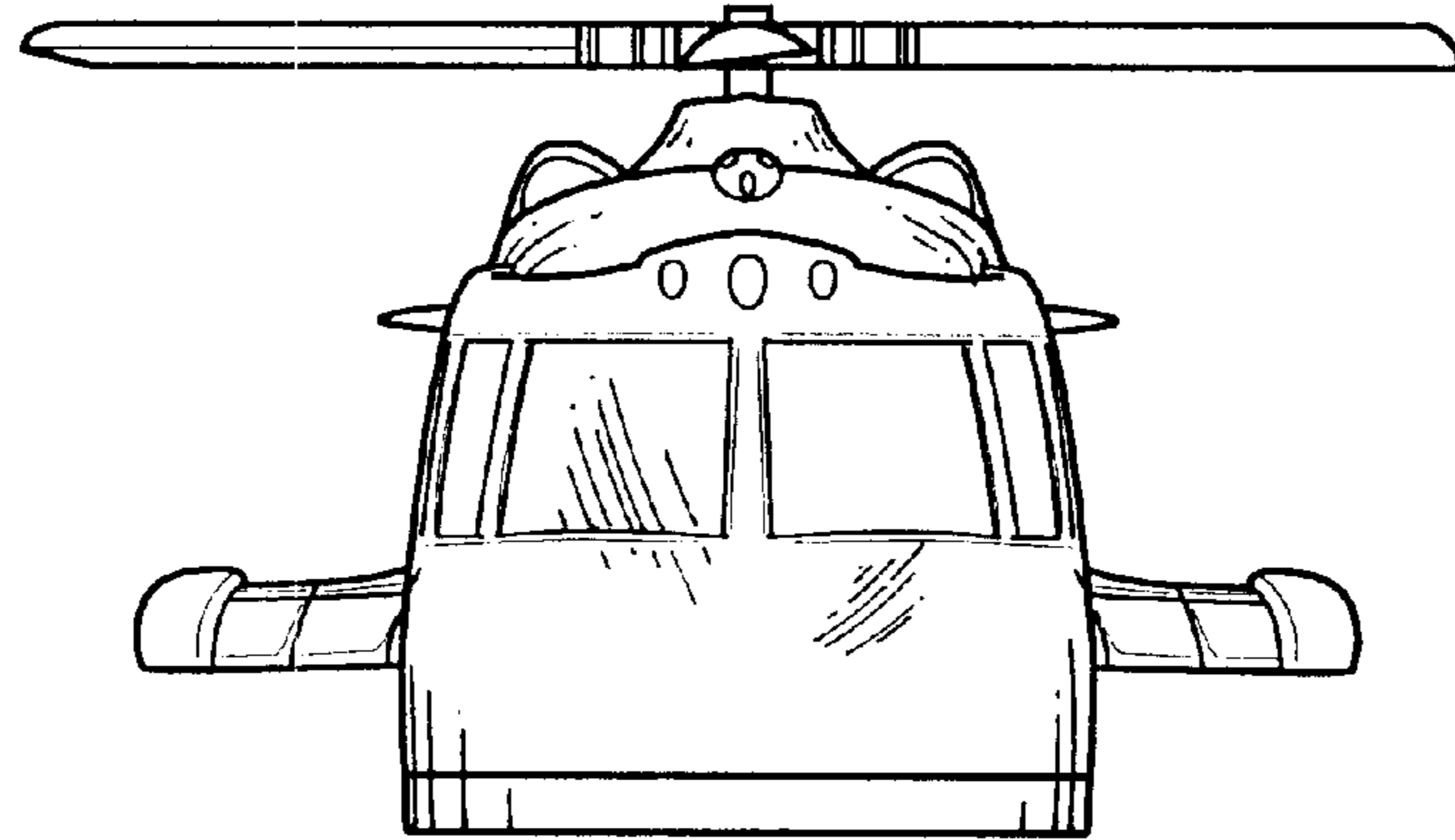


FIG. 2

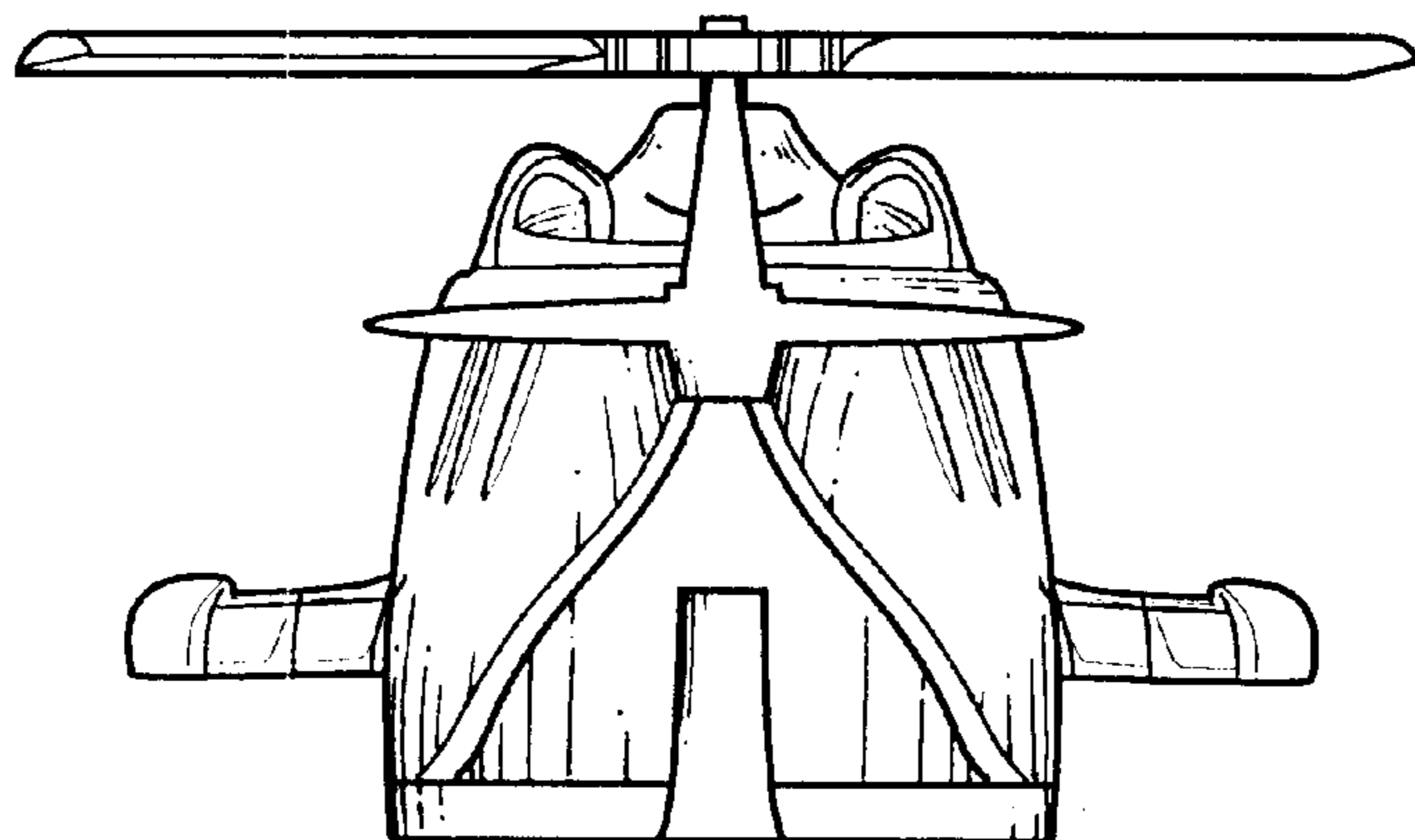


FIG. 3

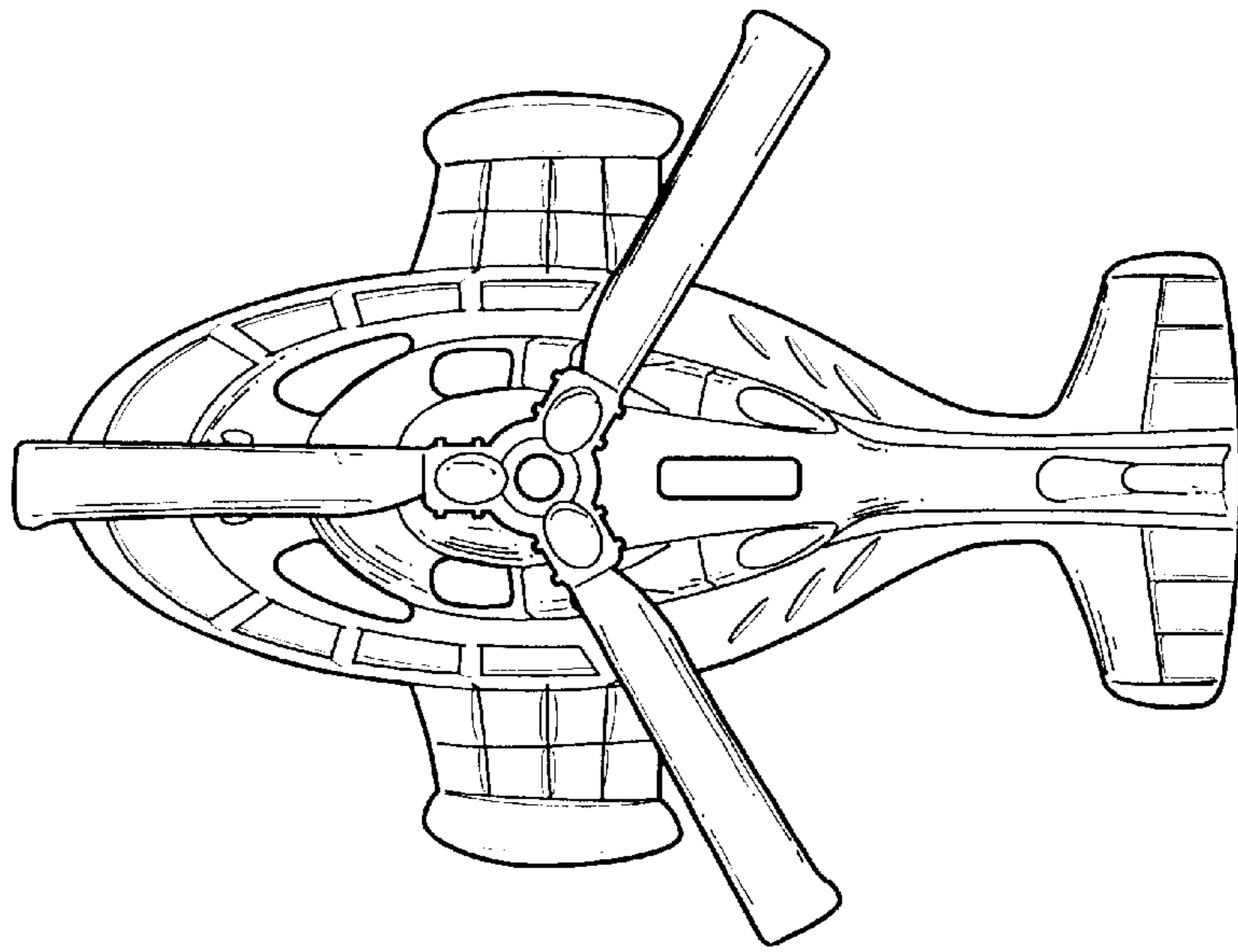


FIG. 4

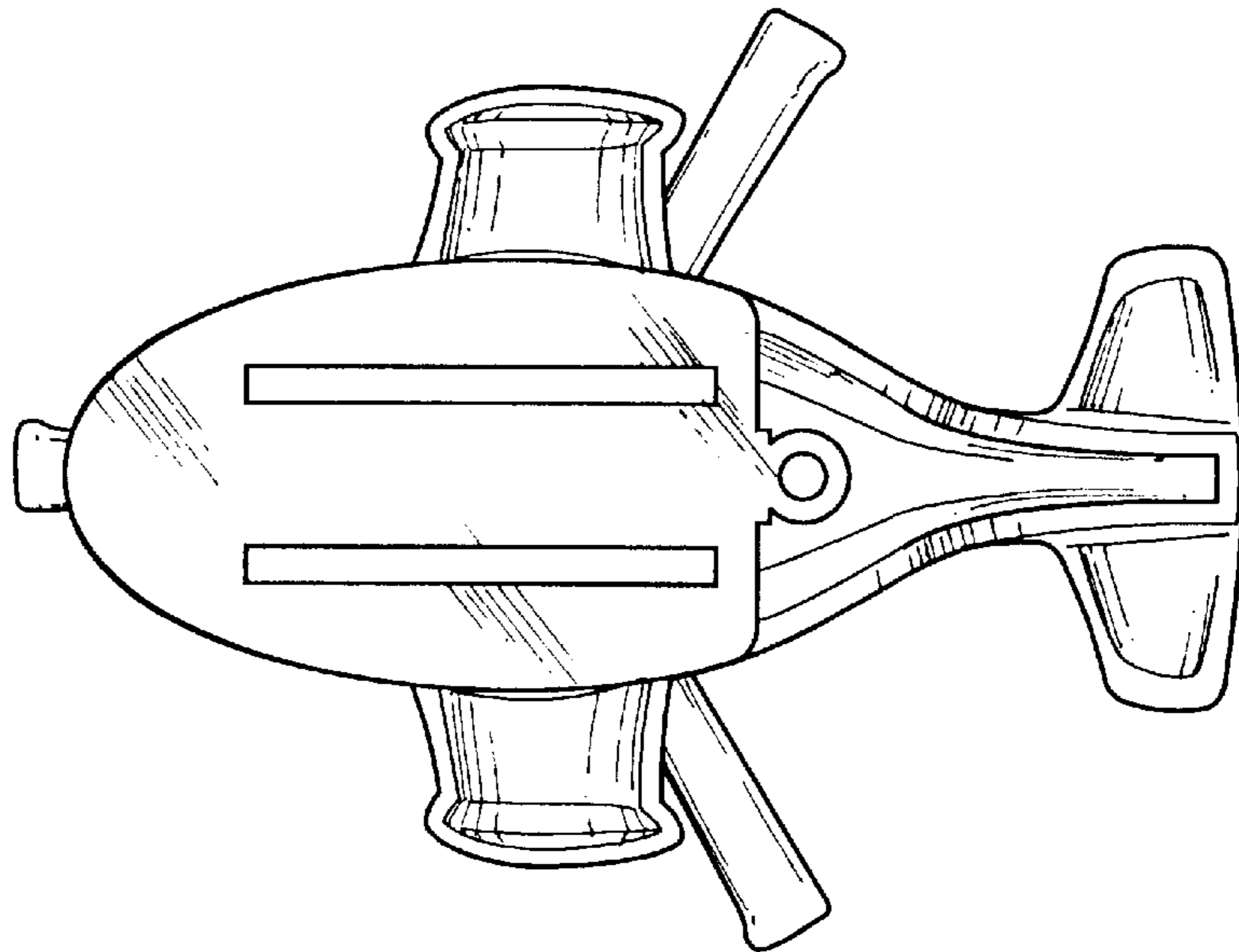


FIG. 5

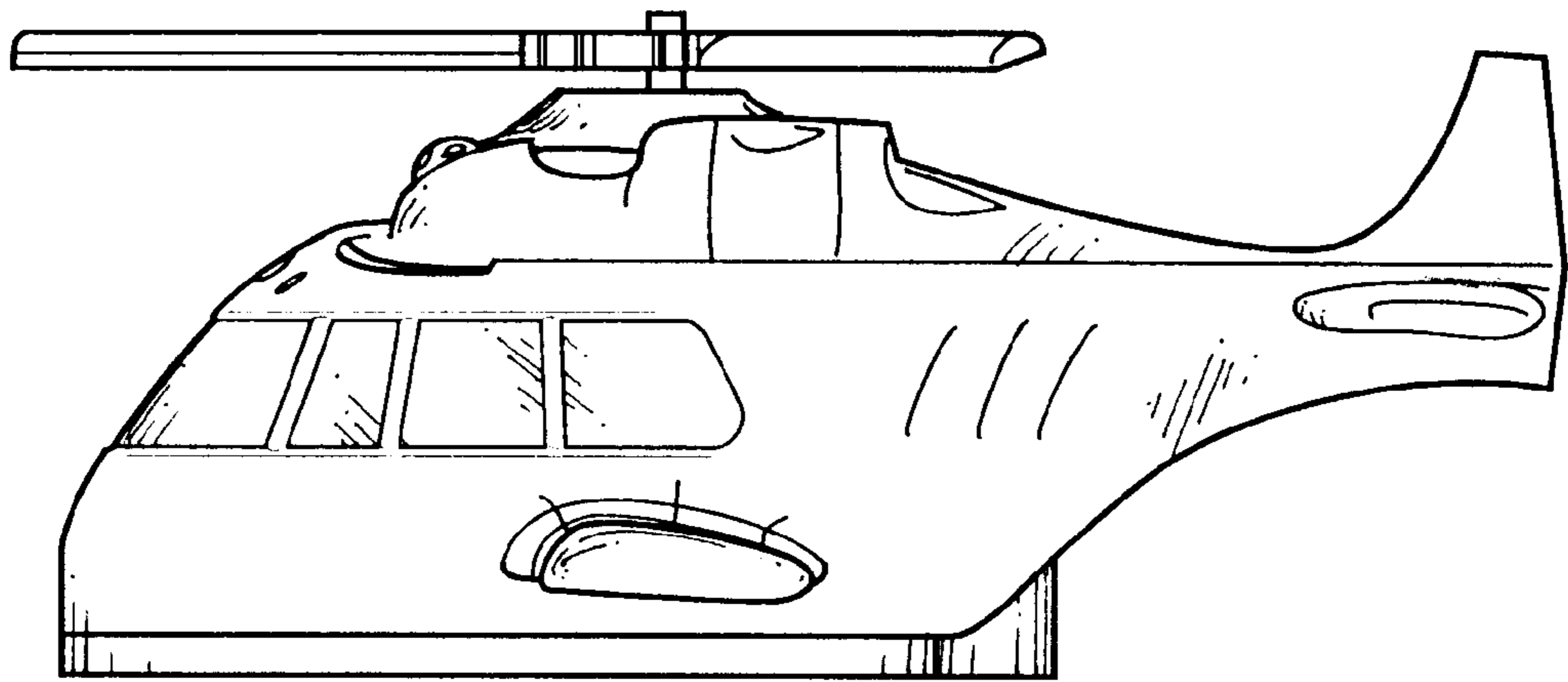


FIG. 6