



US00D414254S

United States Patent [19]
Wu

[11] **Patent Number: Des. 414,254**

[45] **Date of Patent: ** Sep. 21, 1999**

[54] **PORTABLE AIR CHARGE-DISCHARGE MACHINE**

[75] Inventor: **Hsin-Tsai Wu**, Taipei, Taiwan

[73] Assignee: **Bulton Enterprises Co., Ltd.**, Taiwan

[**] Term: **14 Years**

[21] Appl. No.: **29/088,463**

[22] Filed: **May 22, 1998**

[51] **LOC (6) Cl.** **23-04**

[52] **U.S. Cl.** **D23/355**

[58] **Field of Search** **D23/364, 355;**
55/357; 96/97

[56] **References Cited**

U.S. PATENT DOCUMENTS

- 2,986,765 6/1961 Wolf et al. .
- 3,816,983 6/1974 Sawada et al. .
- 4,636,230 1/1987 Fan .

Primary Examiner—Lisa Lichtenstein
Attorney, Agent, or Firm—Brinks Hofer Gilson & Lione

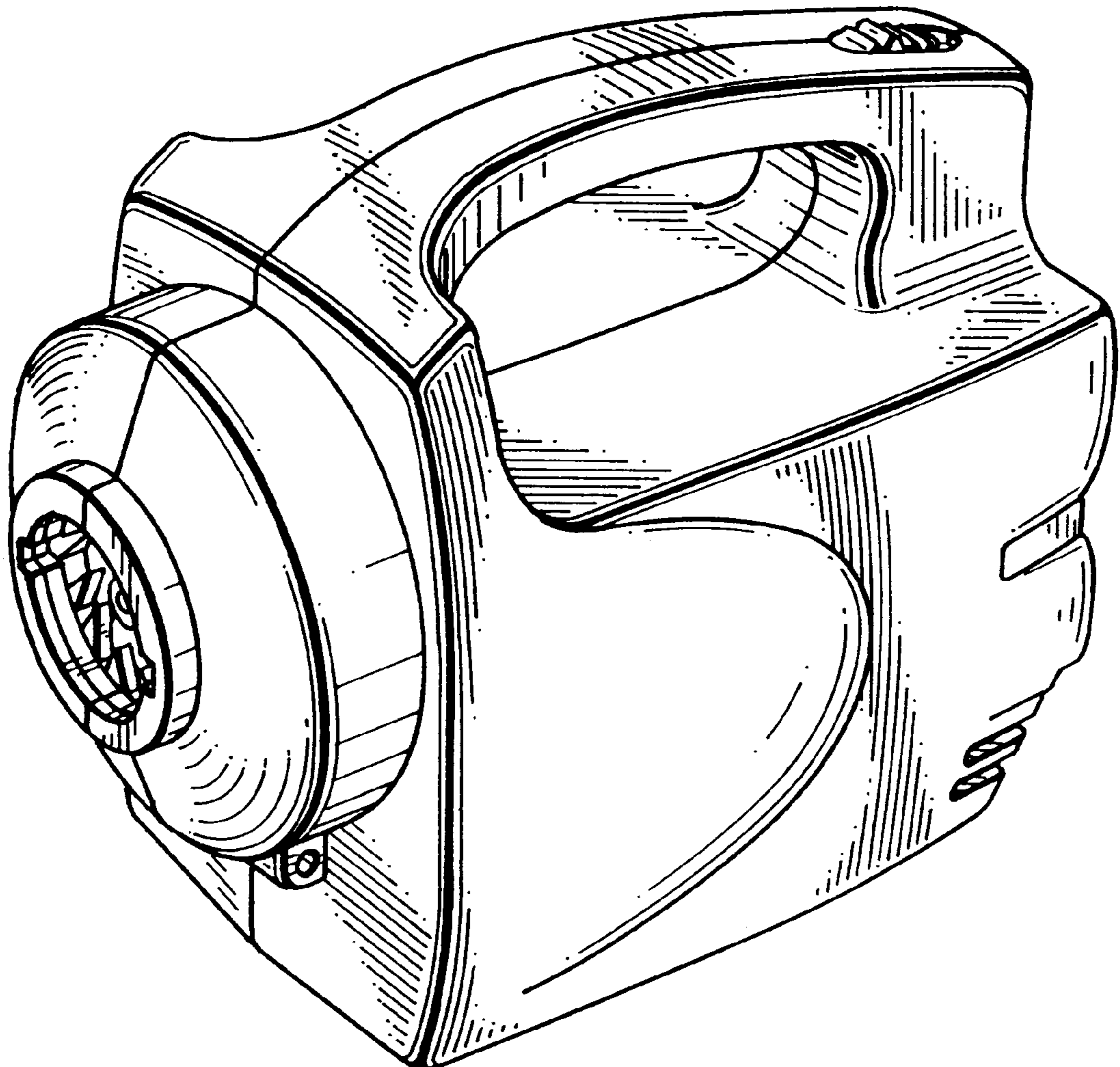
[57] **CLAIM**

The ornamental design for a portable air charge-discharge machine, as shown and described.

DESCRIPTION

FIG. 1 is a perspective view of portable air charge-discharge machine showing my new design;
FIG. 2 is a front elevational view thereof;
FIG. 3 is a rear elevational view thereof;
FIG. 4 is a left side elevational view thereof;
FIG. 5 is a right side elevational view thereof;
FIG. 6 is a top plan view thereof;
FIG. 7 is a bottom plan view thereof;
FIG. 8 is a perspective view thereof when in use; and,
FIG. 9 is an exploded perspective view thereof when in use.
The broken-line showing of environmental structure in FIGS. 8 and 9 is for illustrative purposes only and forms no part of the claimed design.

1 Claim, 6 Drawing Sheets



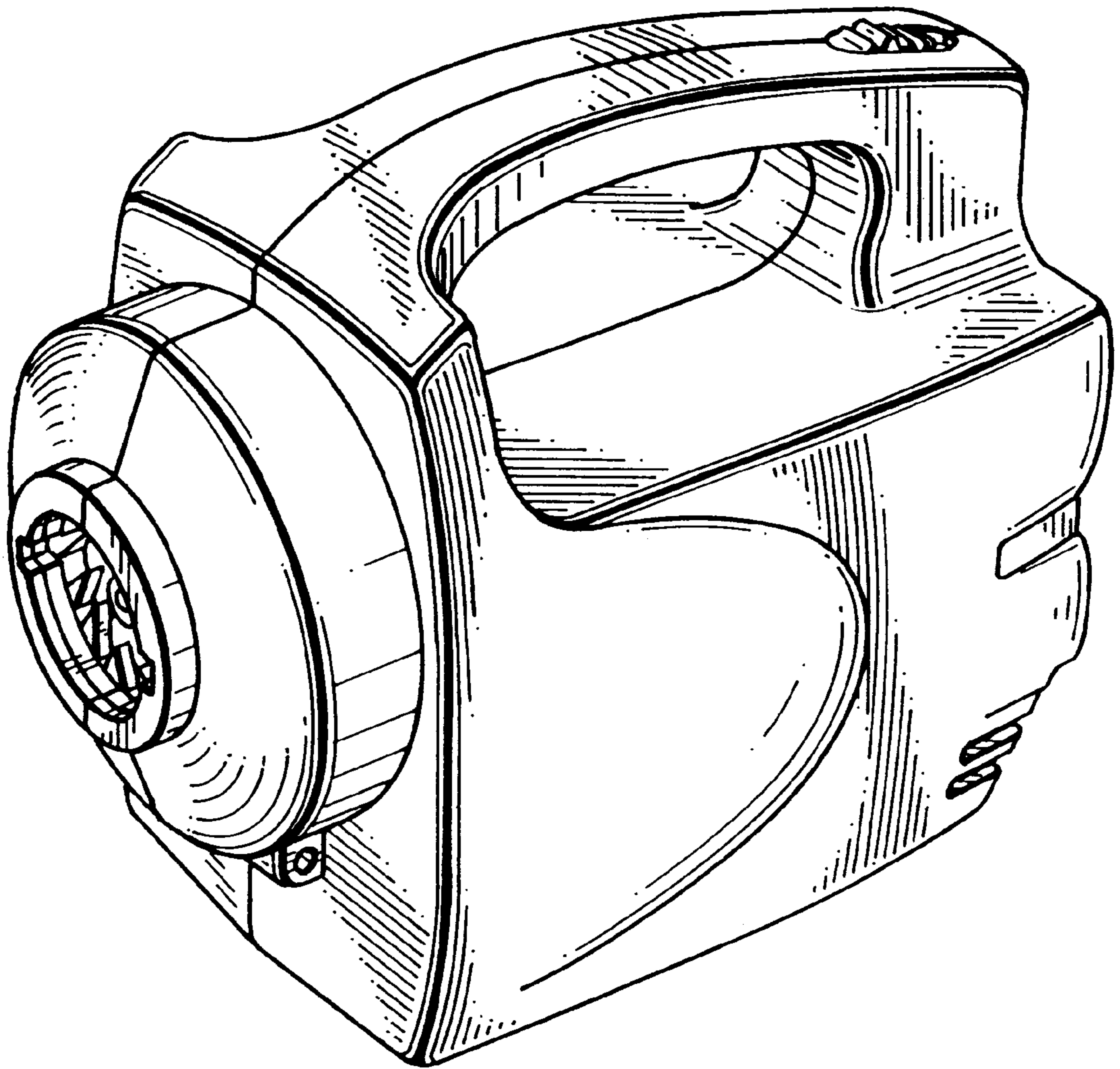


FIG. 1

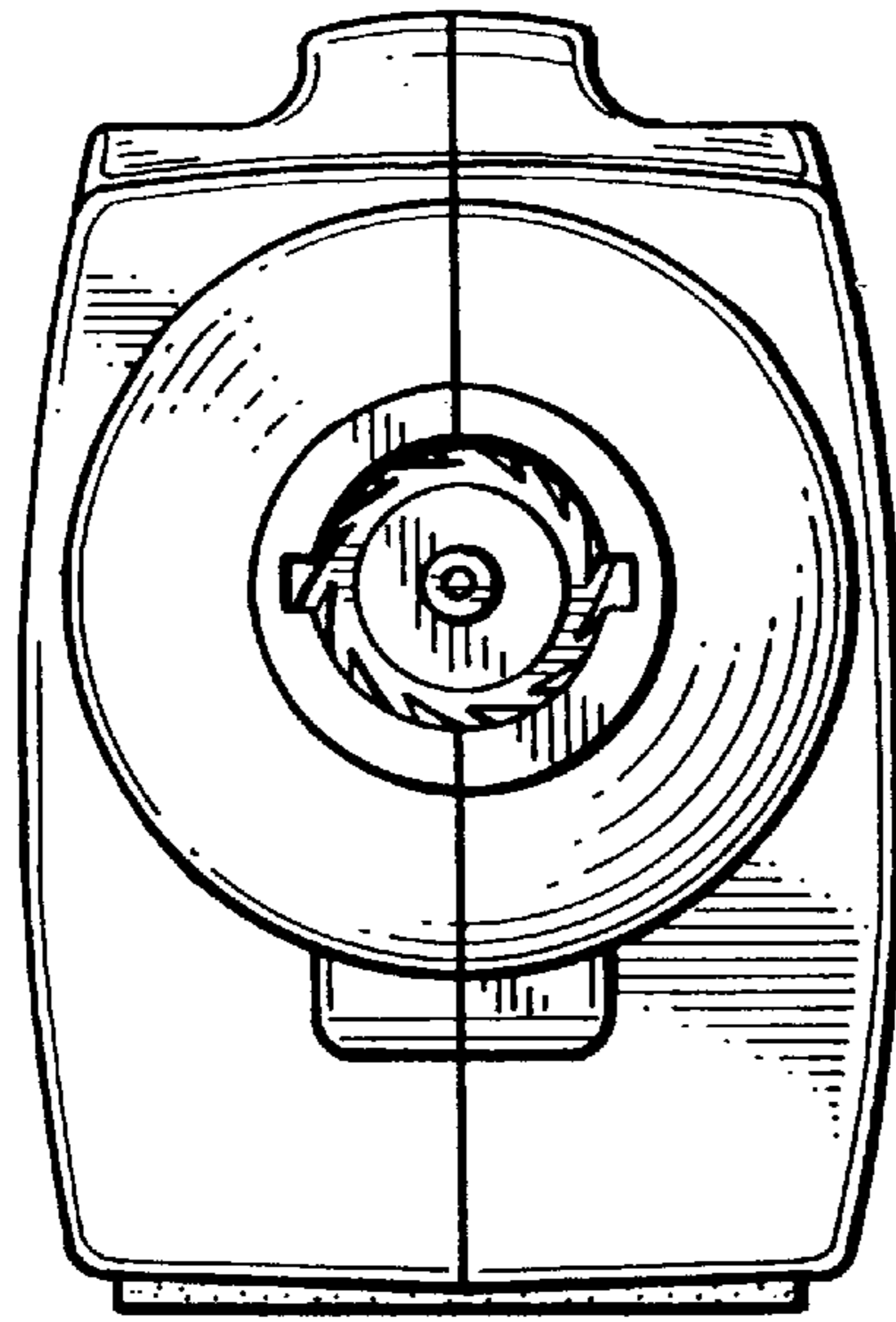


FIG. 2

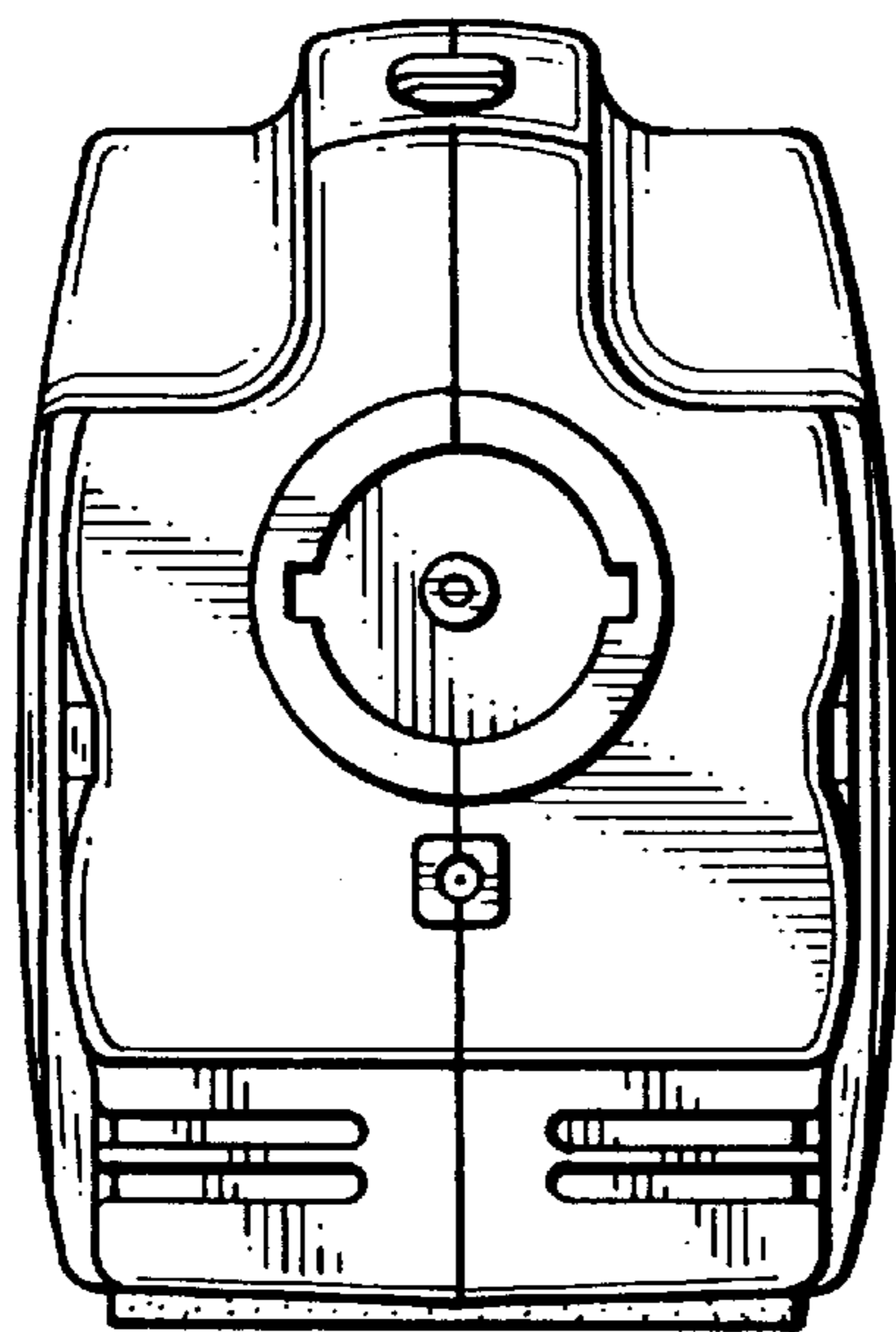


FIG. 3

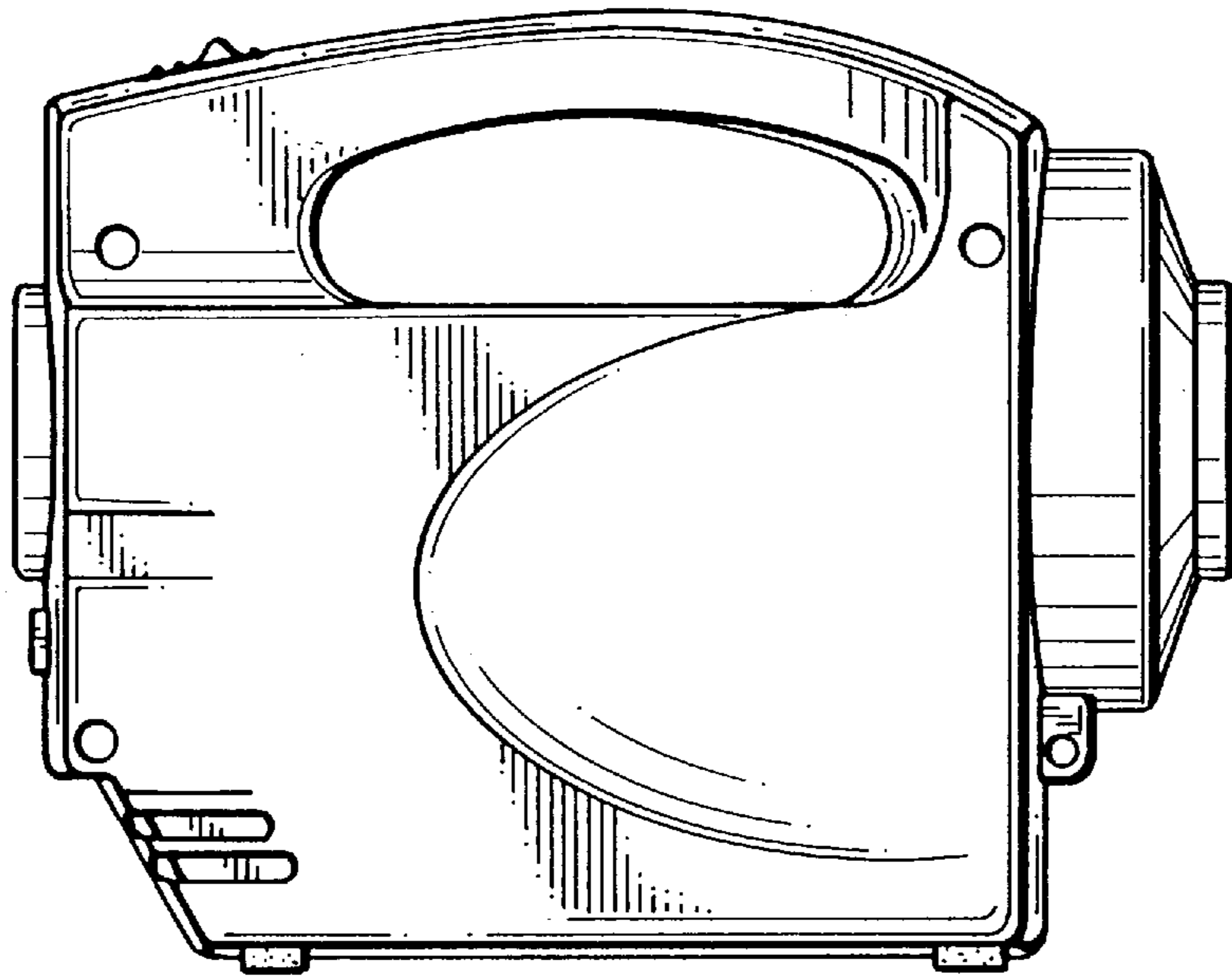


FIG. 4

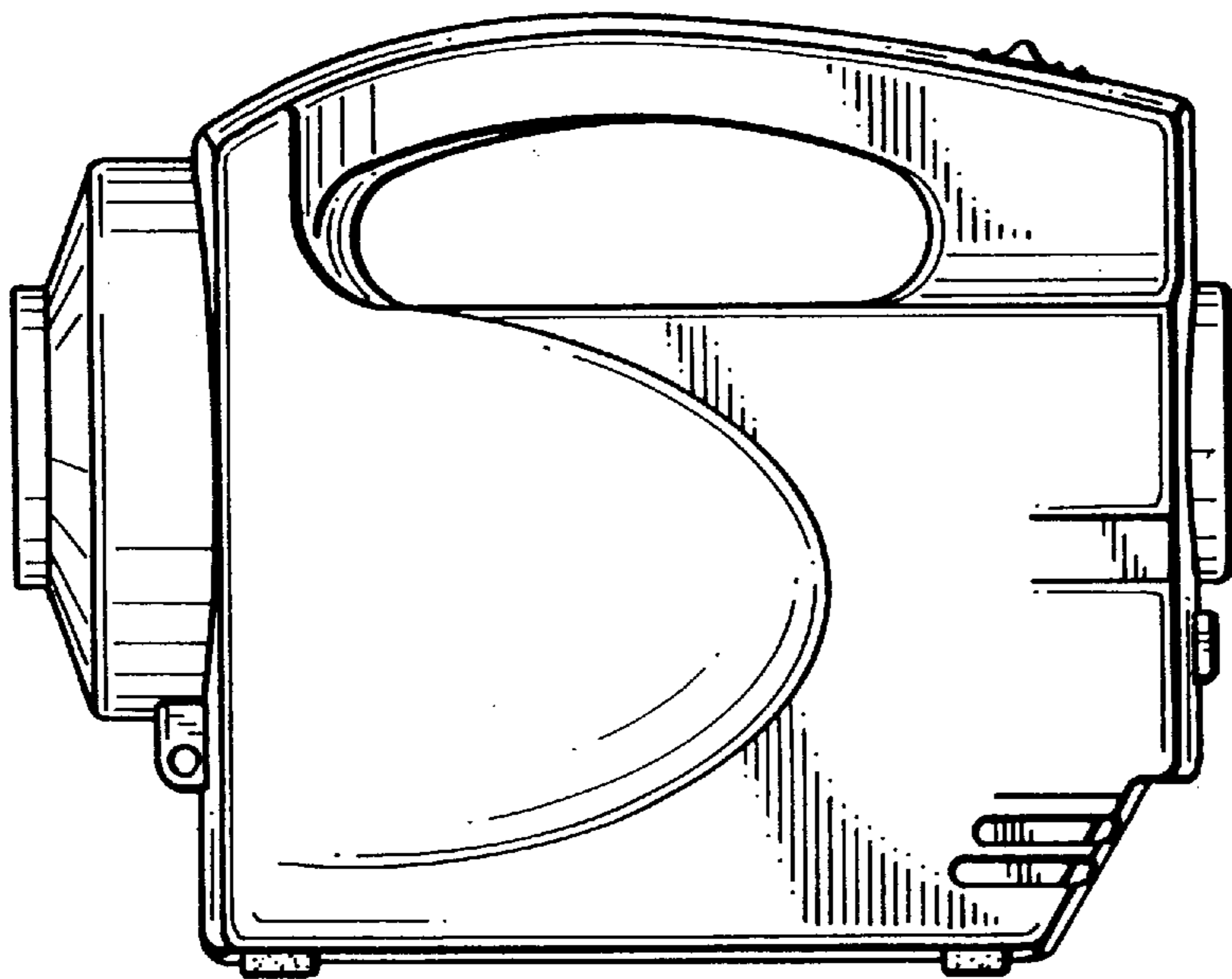


FIG. 5

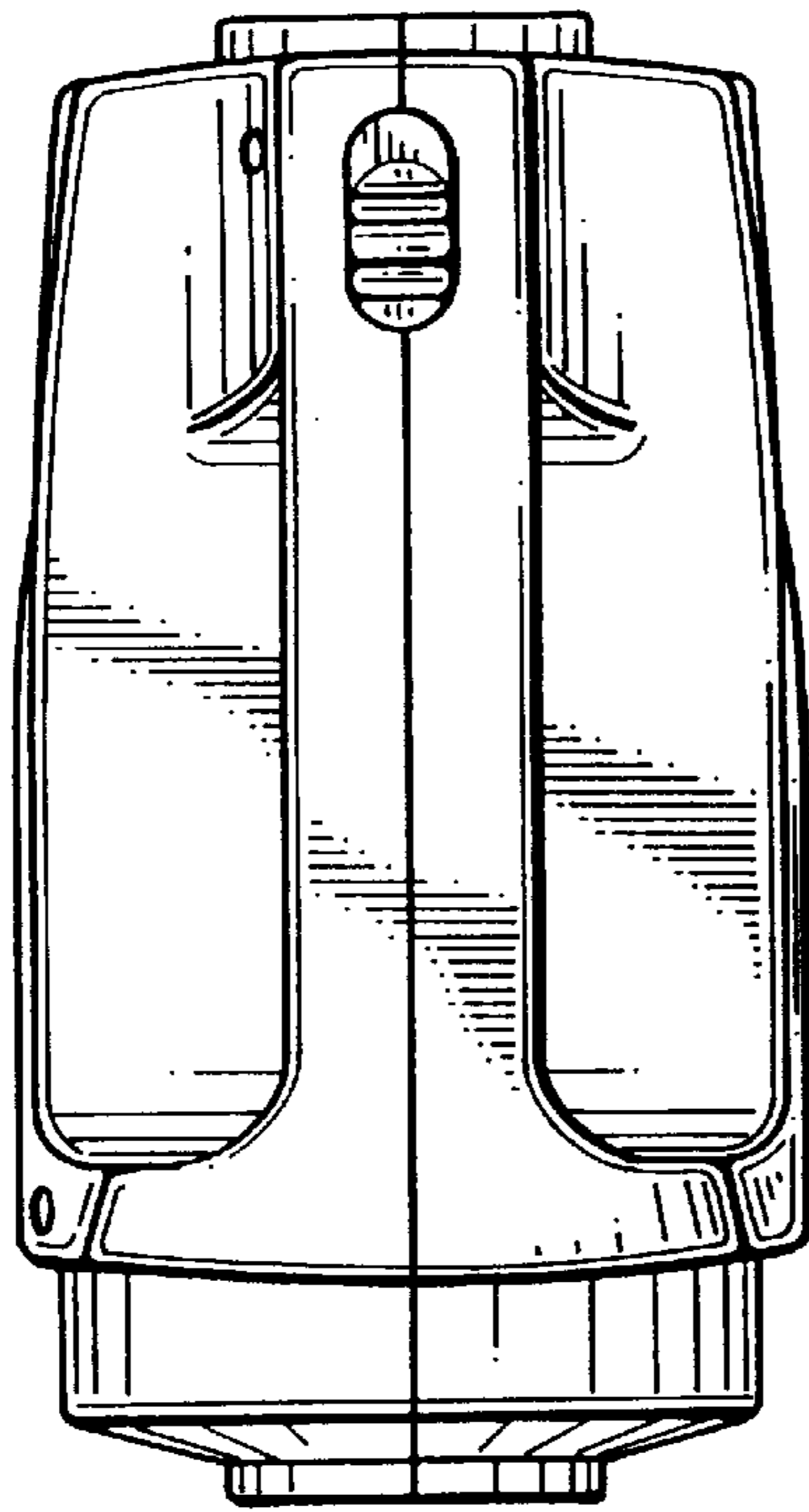


FIG. 6

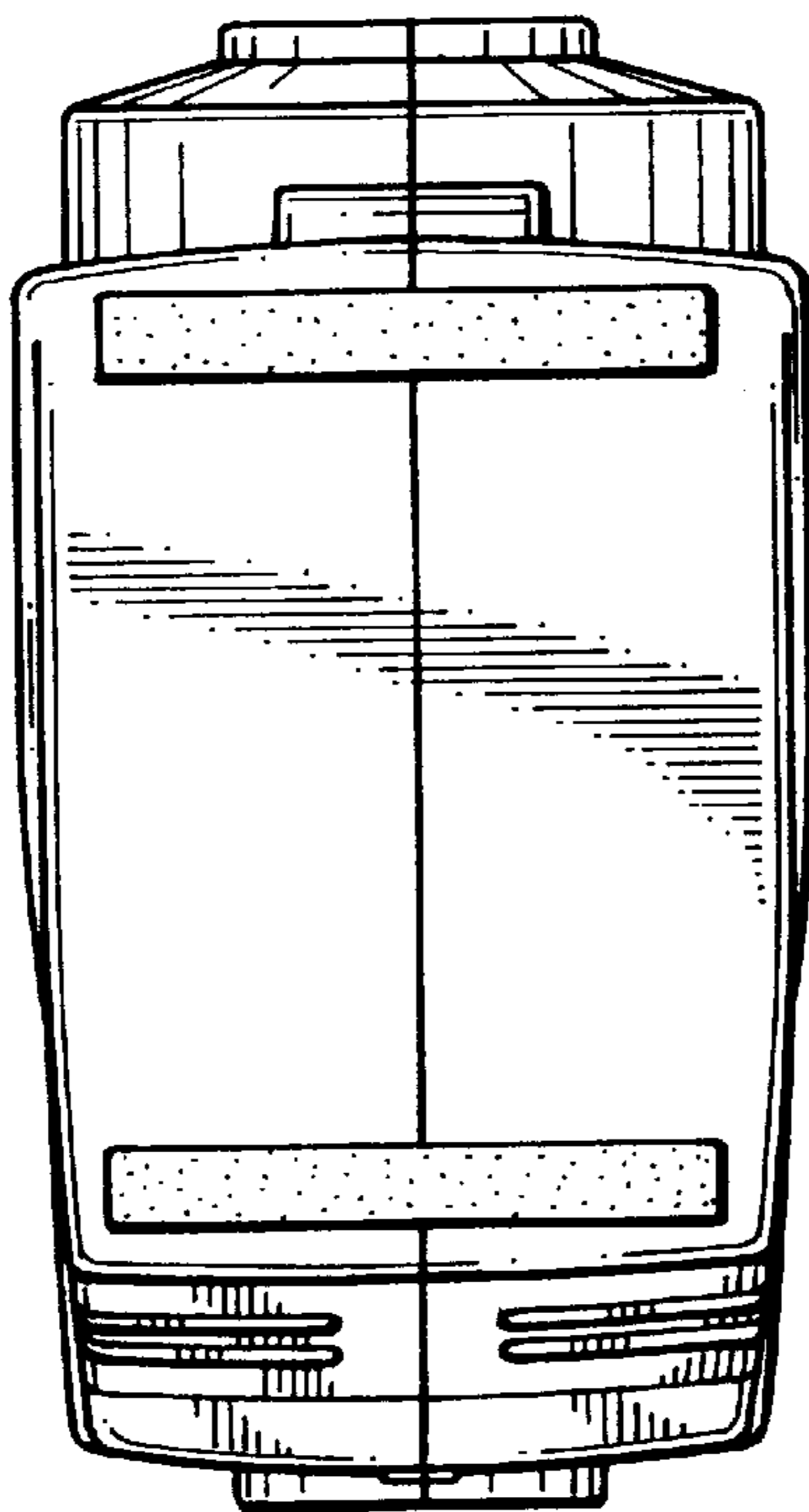


FIG. 7

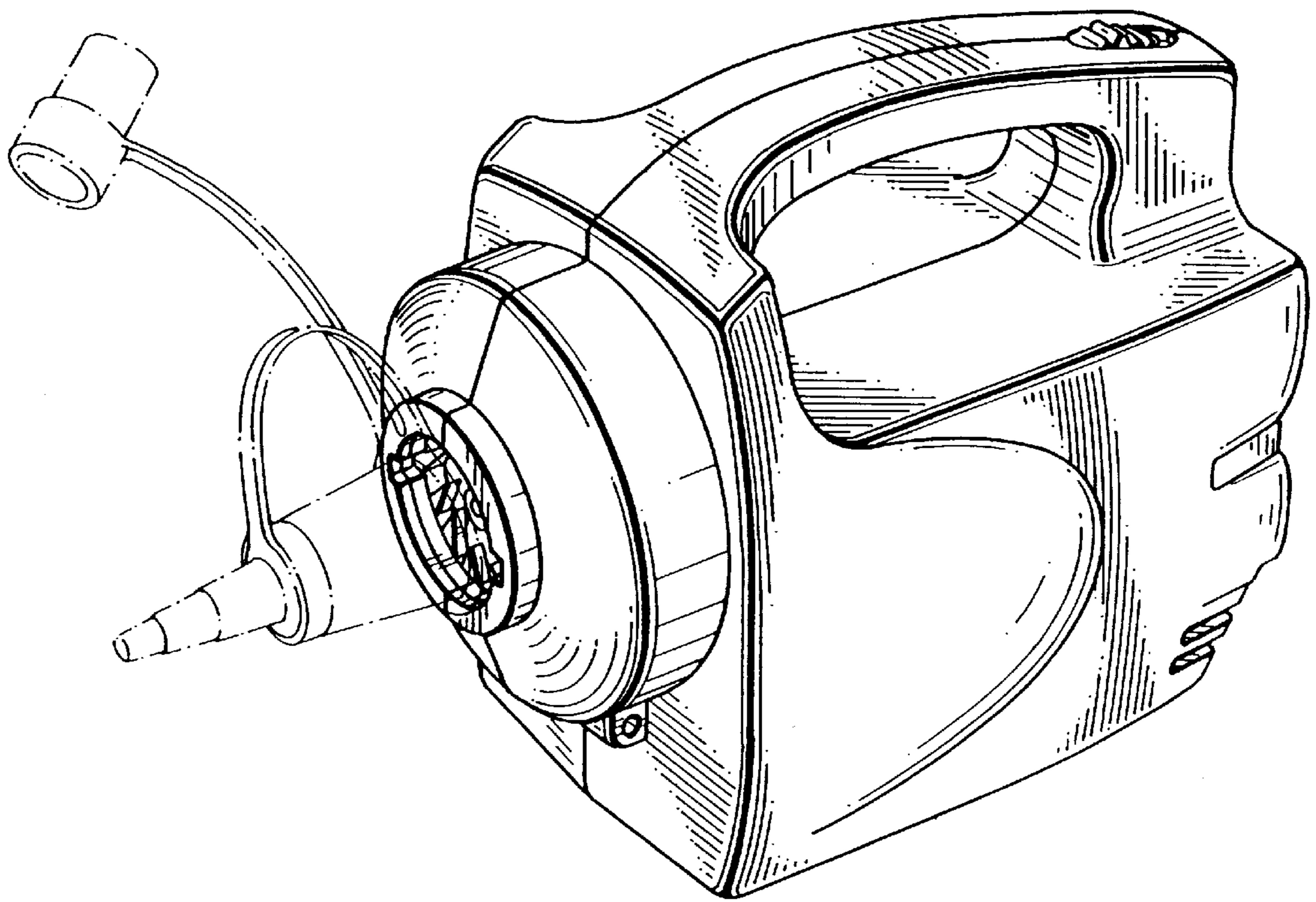


FIG. 8

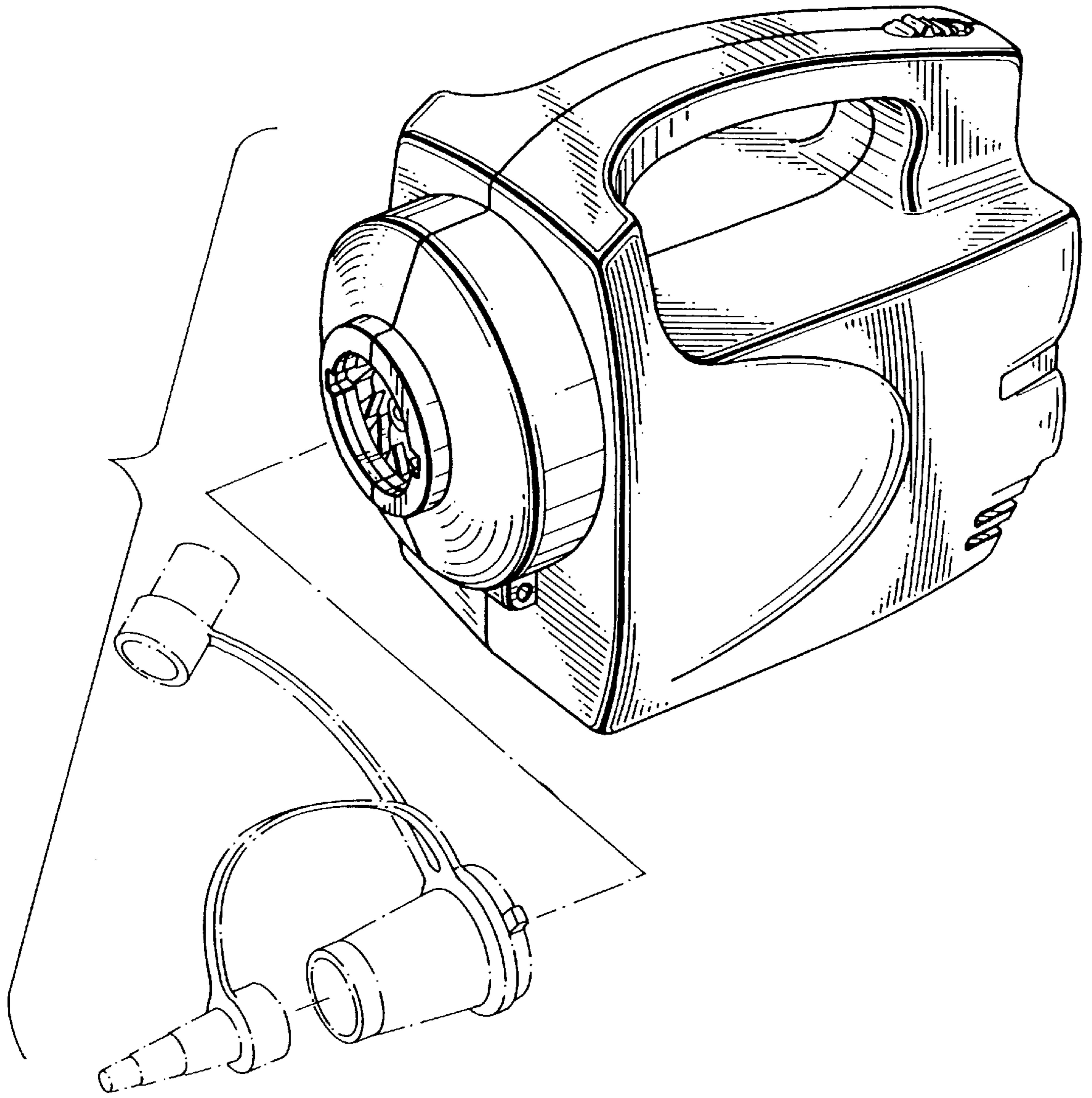


FIG. 9