



US00D414251S

United States Patent [19]

Leppert et al.

[11] Patent Number: Des. 414,251

[45] Date of Patent: ** Sep. 21, 1999

[54] HEAD SUPPORT FOR WASH BASINS

[76] Inventors: Deanna Leppert, 4920 Bluegrass Ave.;
Jacquelyn P Leseberg, 5114 Shalecrest
Ct., both of Boise, Id. 83703

[**] Term: 14 Years

[21] Appl. No.: 29/080,192

[22] Filed: Dec. 4, 1997

[51] LOC (6) Cl. 23-01

[52] U.S. Cl. D23/308

[58] Field of Search D23/303-311;
4/515, 516, 517, 518, 519, 520, 521, 522,
523, 575.1, 579, 654; 297/391; 5/434, 436,
437

[56] References Cited

U.S. PATENT DOCUMENTS

492,949	3/1893	Treiber	4/575.1
647,160	4/1900	Silver	4/579
732,249	6/1903	Wolpert	4/520
1,817,625	8/1931	Holmes	4/518
1,868,598	7/1932	Gower	4/518
2,527,868	10/1950	Wilson	4/523 X
4,351,073	9/1982	Elsas	4/654
4,546,504	10/1985	Vars	4/515

Primary Examiner—Louis S. Zarfaz
Assistant Examiner—Eric Watterson

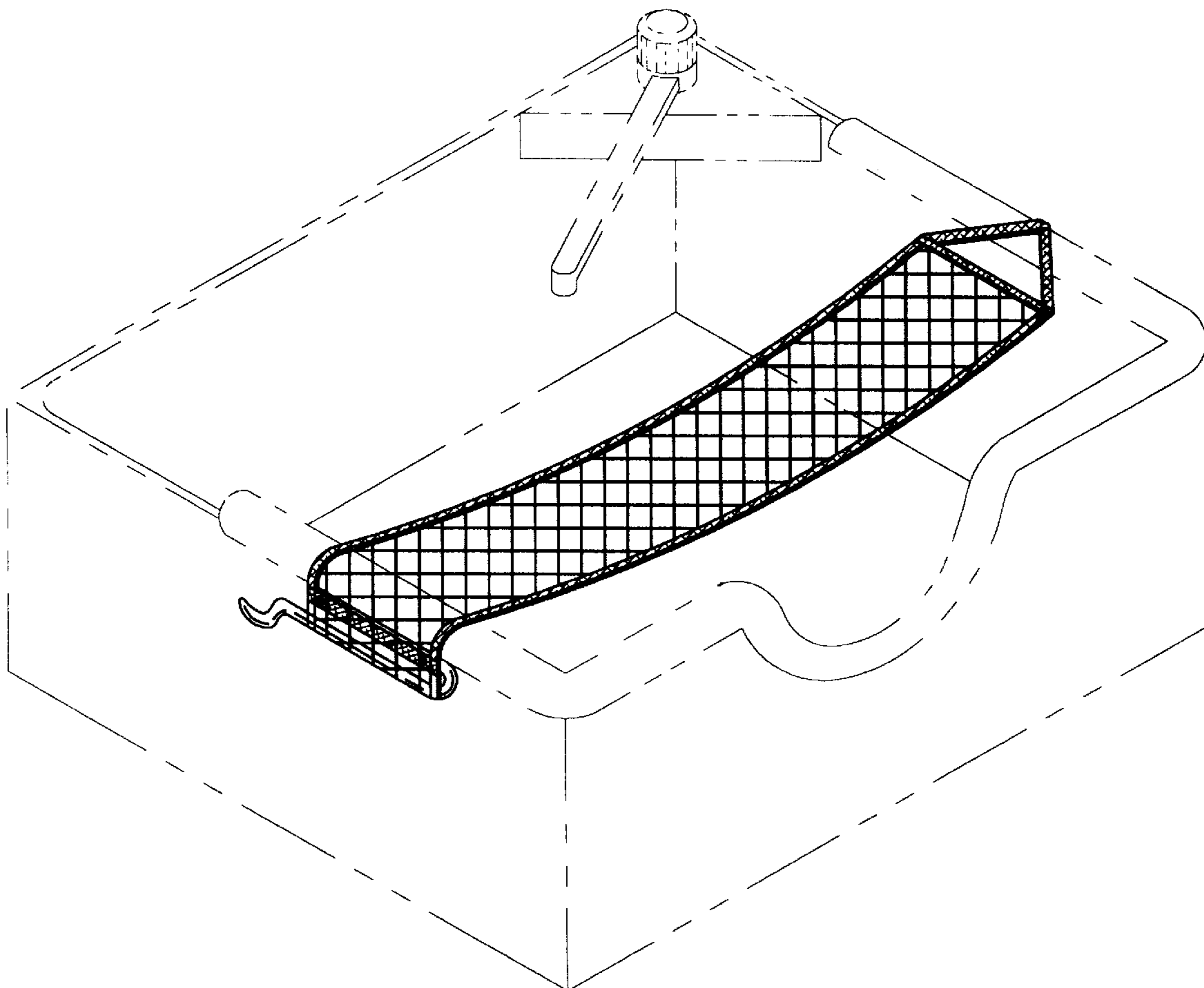
[57] CLAIM

The ornamental design for a head support for wash basins, as shown and described.

DESCRIPTION

FIG. 1 is a top plan view of the head support for wash basins of the present invention;
 FIG. 2 is a bottom plan view of the head support for wash basins of FIG. 1;
 FIG. 3 is a front plan view of the head support for wash basins of FIG. 1;
 FIG. 4 is a back plan view of the head support for wash basins of FIG. 1;
 FIG. 5 is a left side plan view of the head support for wash basins of FIG. 1;
 FIG. 6 is a right side plan view of the head support for wash basins of FIG. 1; and,
 FIG. 7 is a top, front, left side perspective view of the head support for wash basins of FIG. 1.
 The broken lines showing a wash basin in FIG. 7 are for illustrative purposes only and form no part of the claimed design.

1 Claim, 3 Drawing Sheets



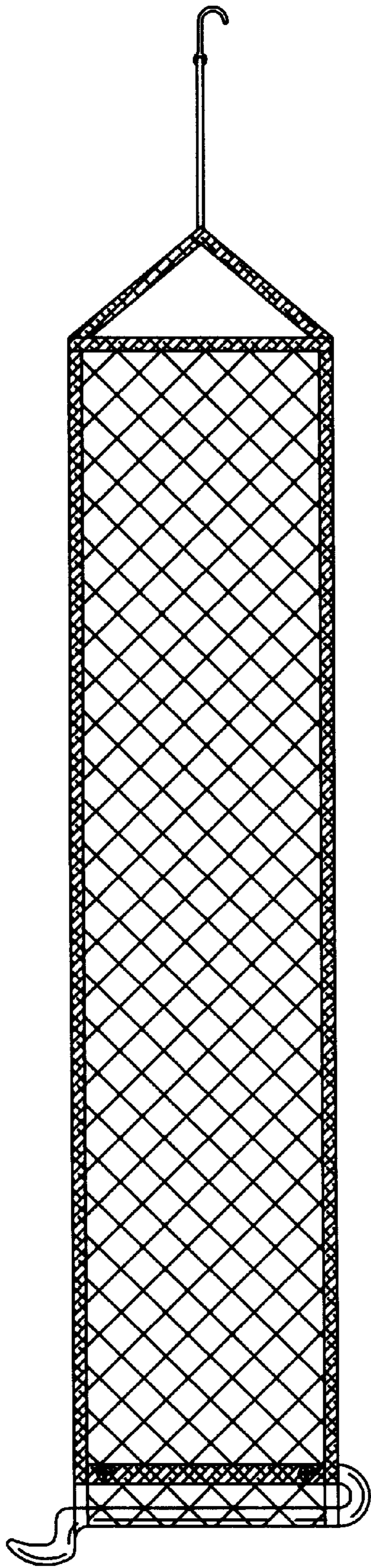


Fig. 1

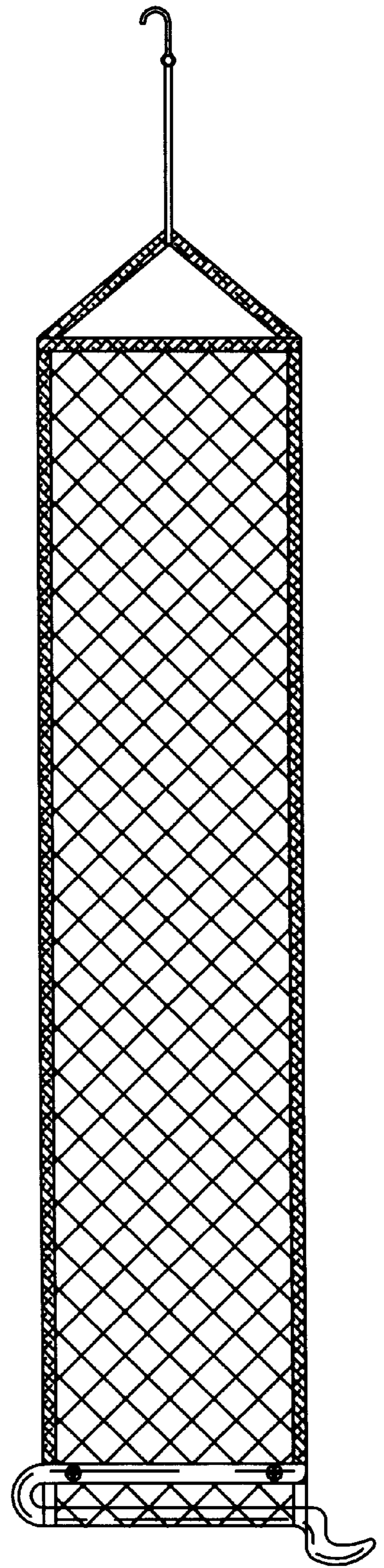


Fig. 2



Fig. 3



Fig. 4



Fig. 5

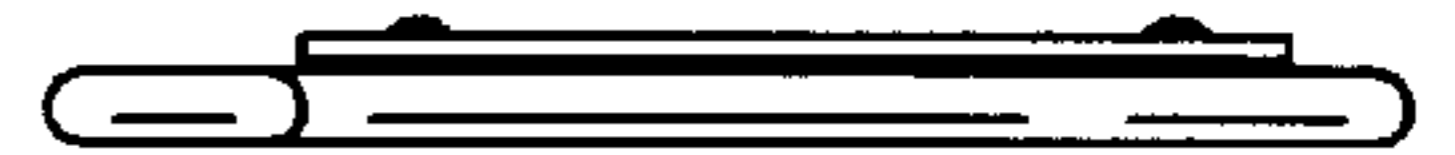


Fig. 6

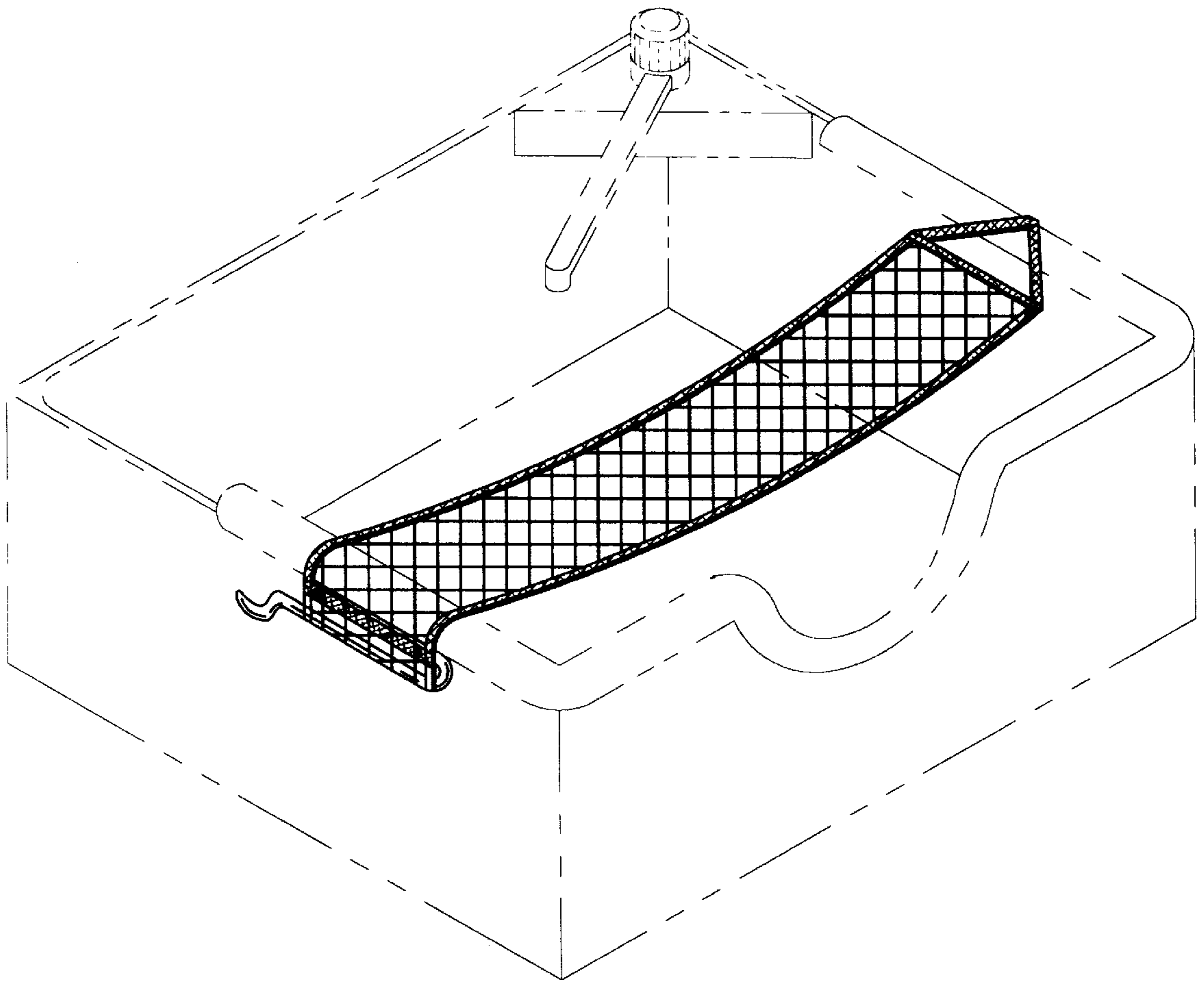


Fig. 7