



US00D414250S

United States Patent [19] Tani

[11] **Patent Number: Des. 414,250**

[45] **Date of Patent: ** Sep. 21, 1999**

[54] **WATER CLOSET**

[75] Inventor: **Minoru Tani**, Kitakyushu, Japan

[73] Assignee: **Toto Ltd.**, Japan

[**] Term: **14 Years**

[21] Appl. No.: **29/073,574**

[22] Filed: **Jul. 11, 1997**

[51] **LOC (6) Cl.** **23-02**

[52] **U.S. Cl.** **D23/301**

[58] **Field of Search** D23/295-301;
4/353, 421, 424, 428, 430, 300, DIG. 12,
664

[56] **References Cited**

U.S. PATENT DOCUMENTS

D. 311,243	10/1990	Voupel et al.	D23/301
D. 314,236	1/1991	Ament	D23/301
D. 346,854	5/1994	Reid	D23/301
D. 353,450	12/1994	Anderson et al.	D23/301

FOREIGN PATENT DOCUMENTS

845954 8/1992 Japan .

Primary Examiner—Louis S. Zarfes
Assistant Examiner—Eric Watterson
Attorney, Agent, or Firm—Finnegan, Henderson, Farabow,
Garrett & Dunner, L.L.P.

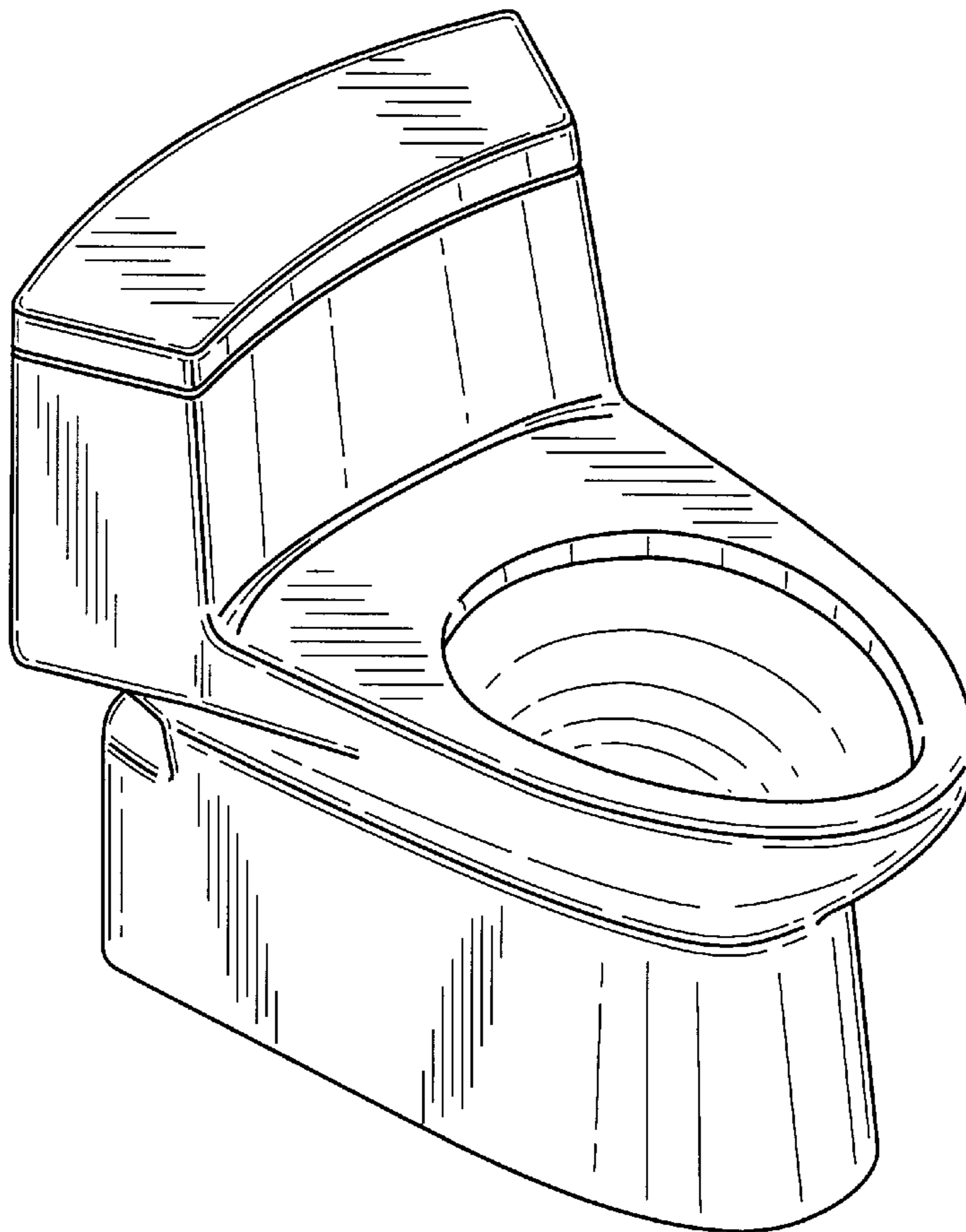
[57] **CLAIM**

The ornamental design for a water closet, as shown and described.

DESCRIPTION

FIG. 1 is a front view of the first embodiment of a water closet embodying my design;
FIG. 2 is a top view thereof;
FIG. 3 is a left side view thereof, the right side being a mirror image of the left side;
FIG. 4 is a perspective view thereof;
FIG. 5 is a front view of the second embodiment of a water closet embodying my design;
FIG. 6 is a top view thereof;
FIG. 7 is a left side view thereof, the right side being a mirror image of the left side; and,
FIG. 8 is a perspective view thereof.

1 Claim, 4 Drawing Sheets



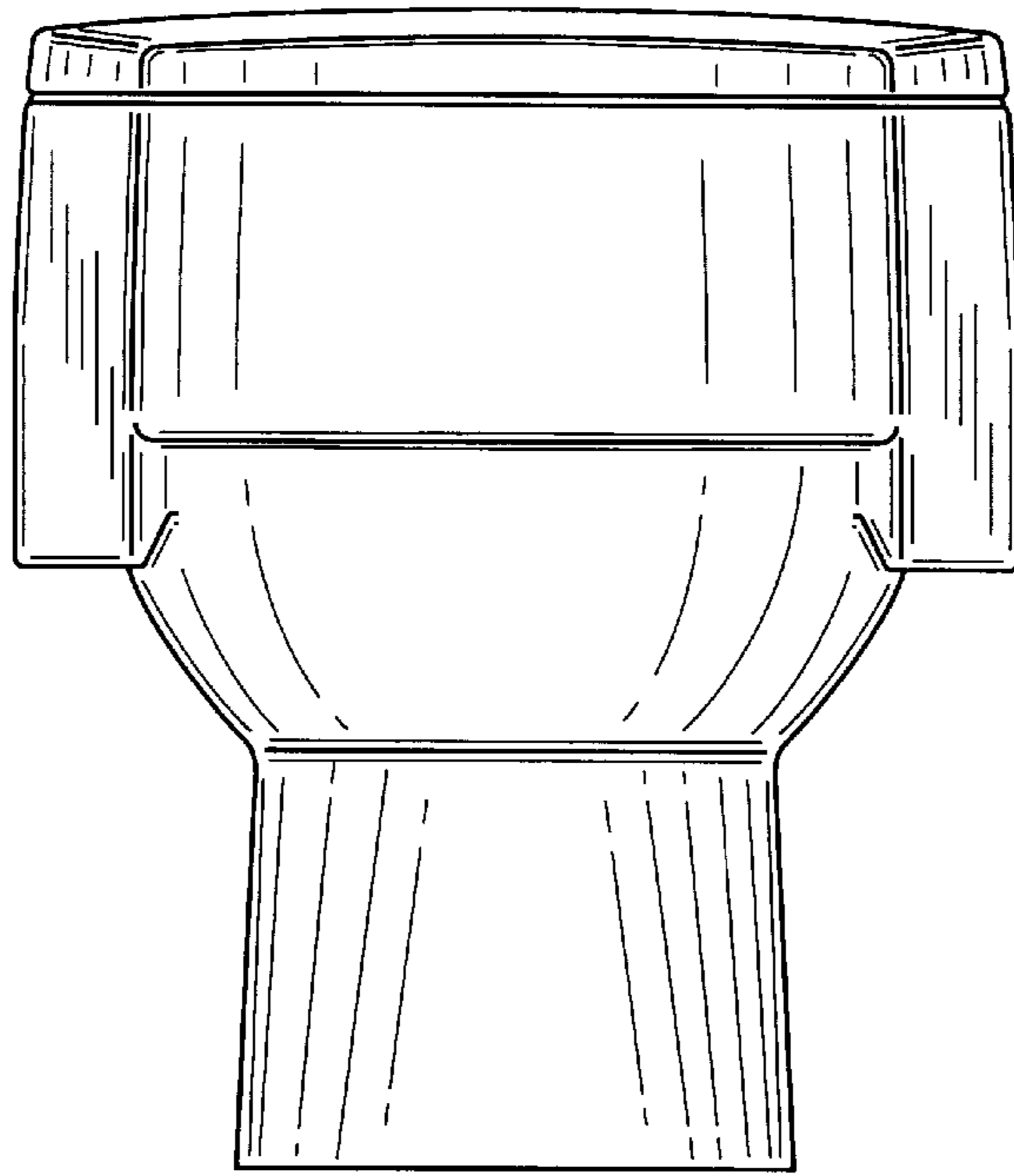


FIG. 1

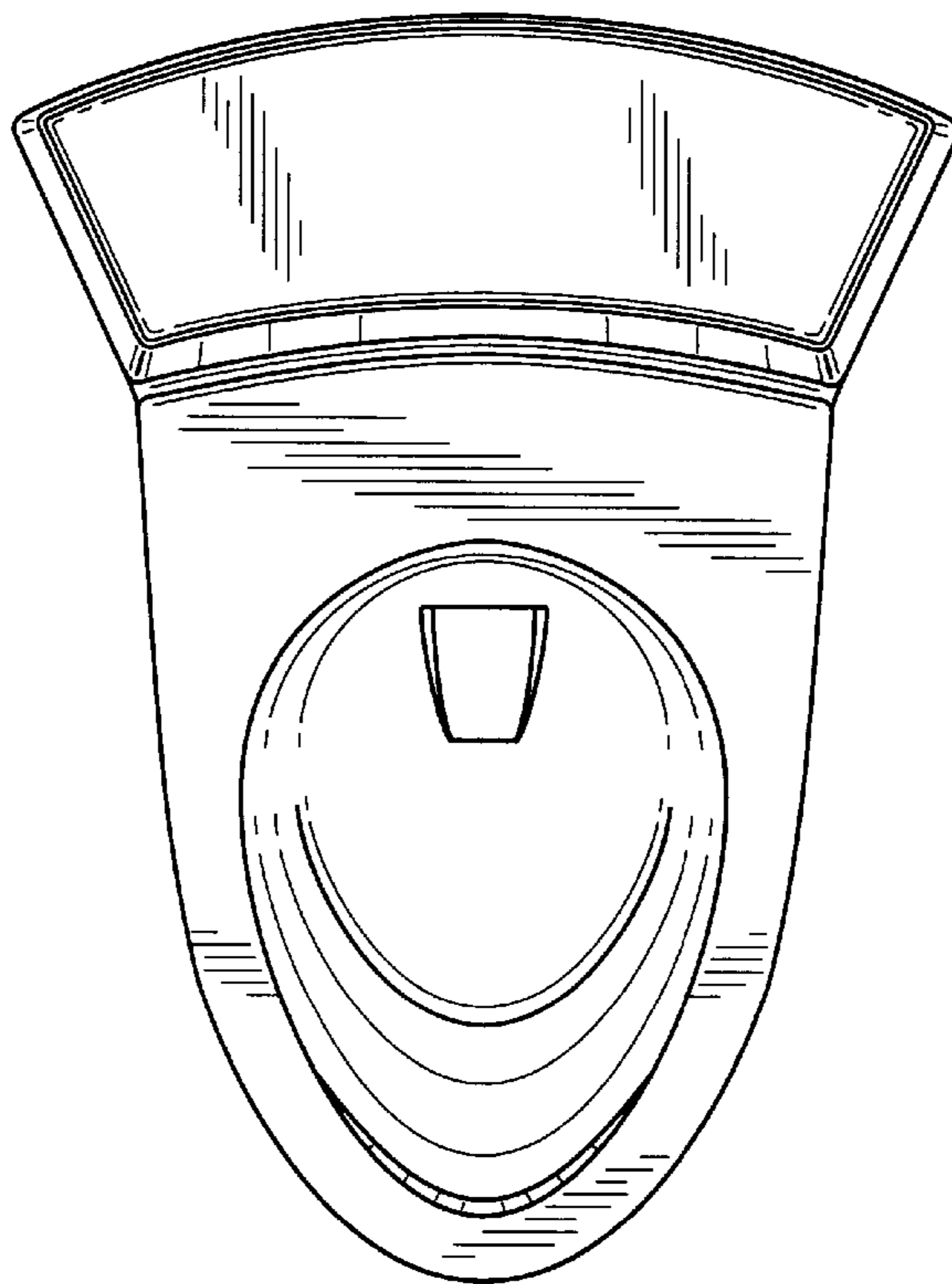


FIG. 2

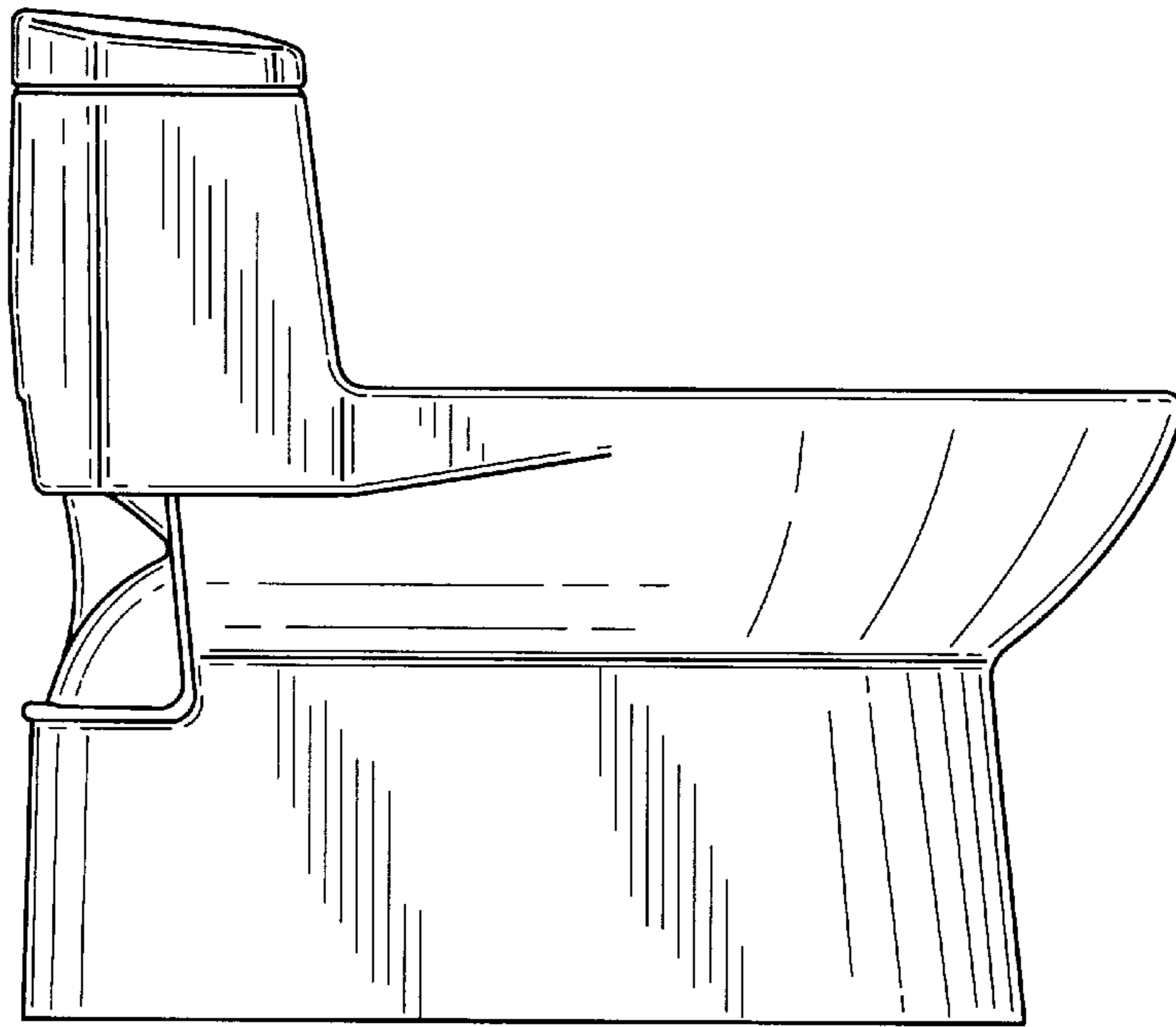


FIG. 3

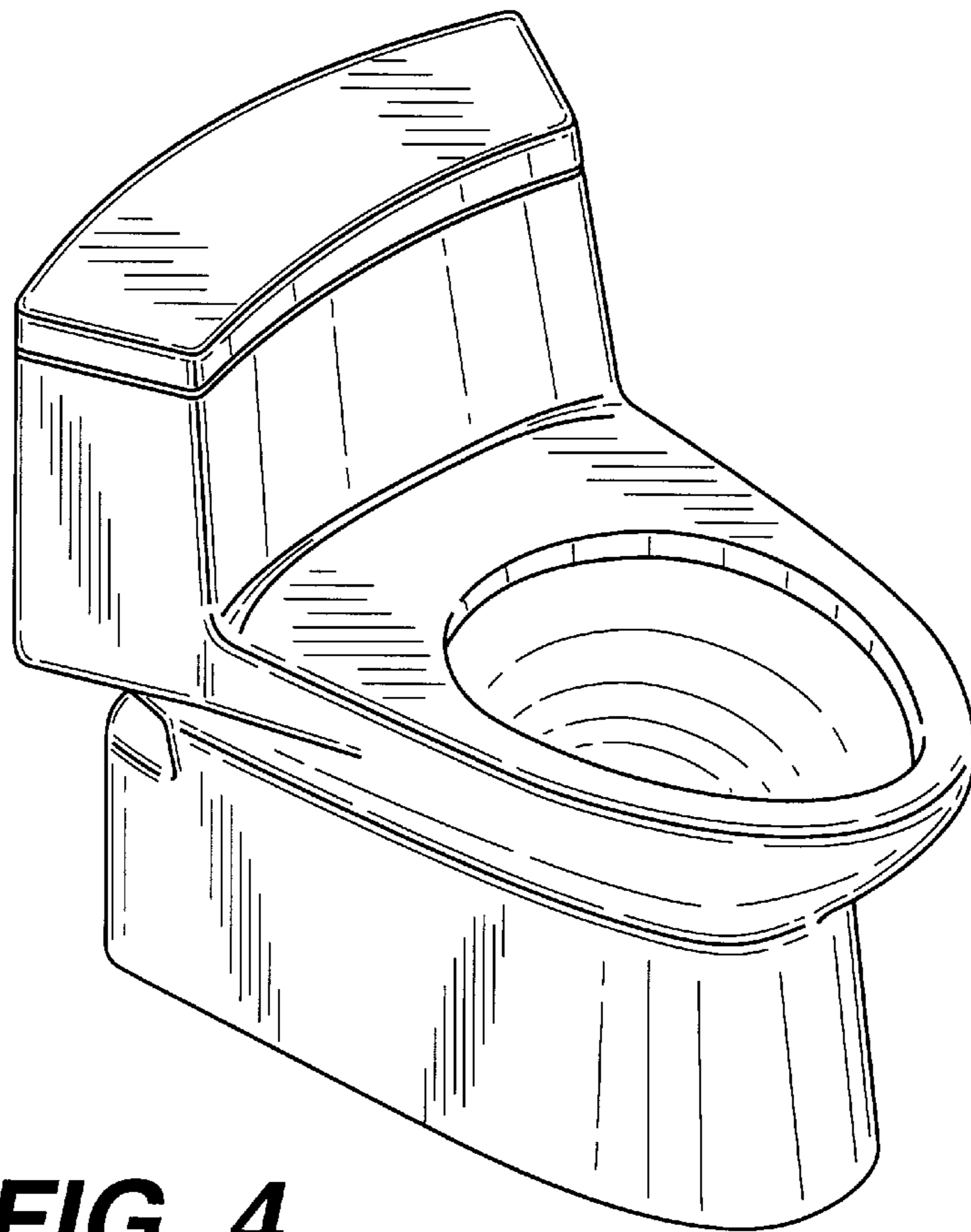


FIG. 4

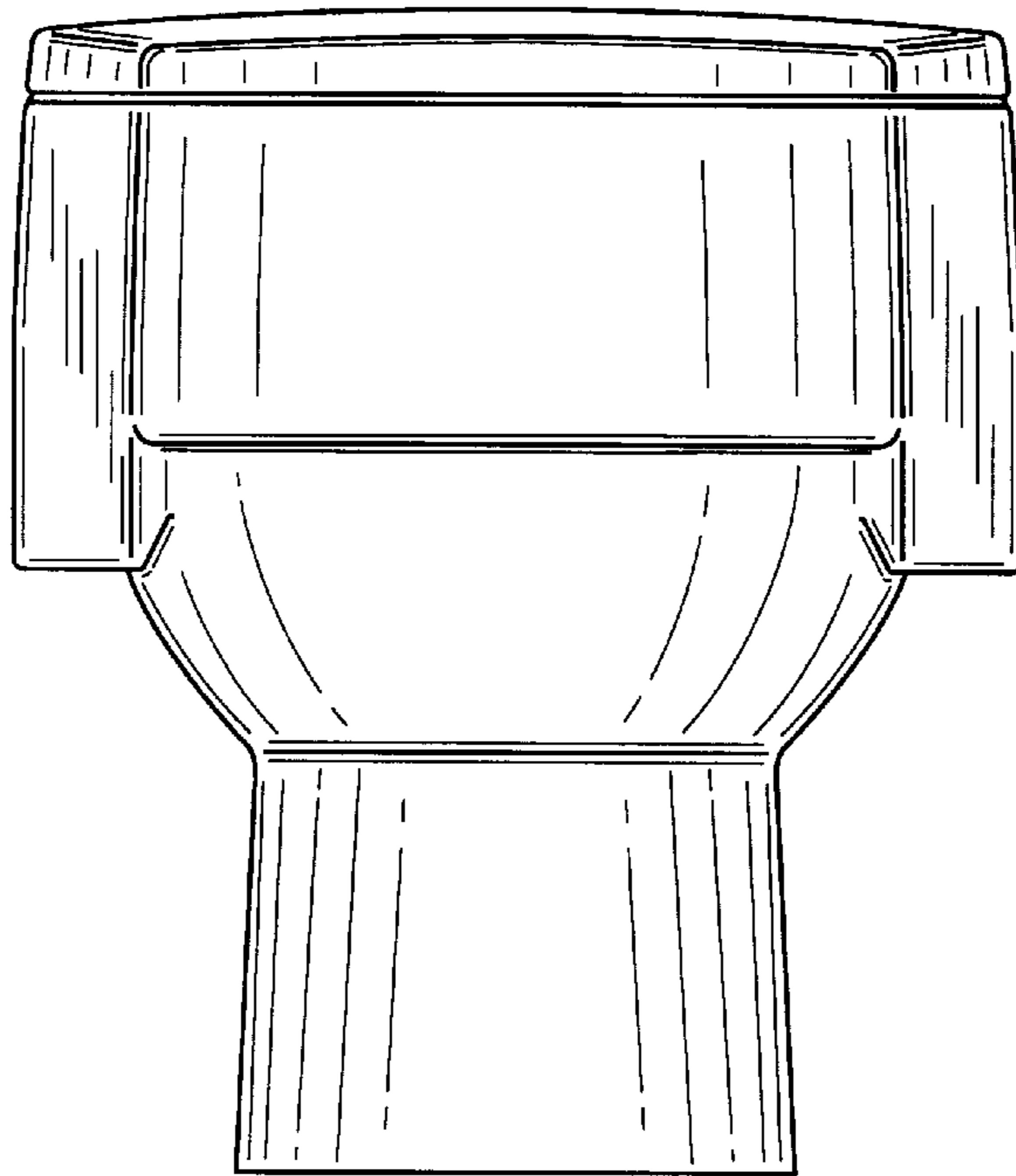


FIG. 5

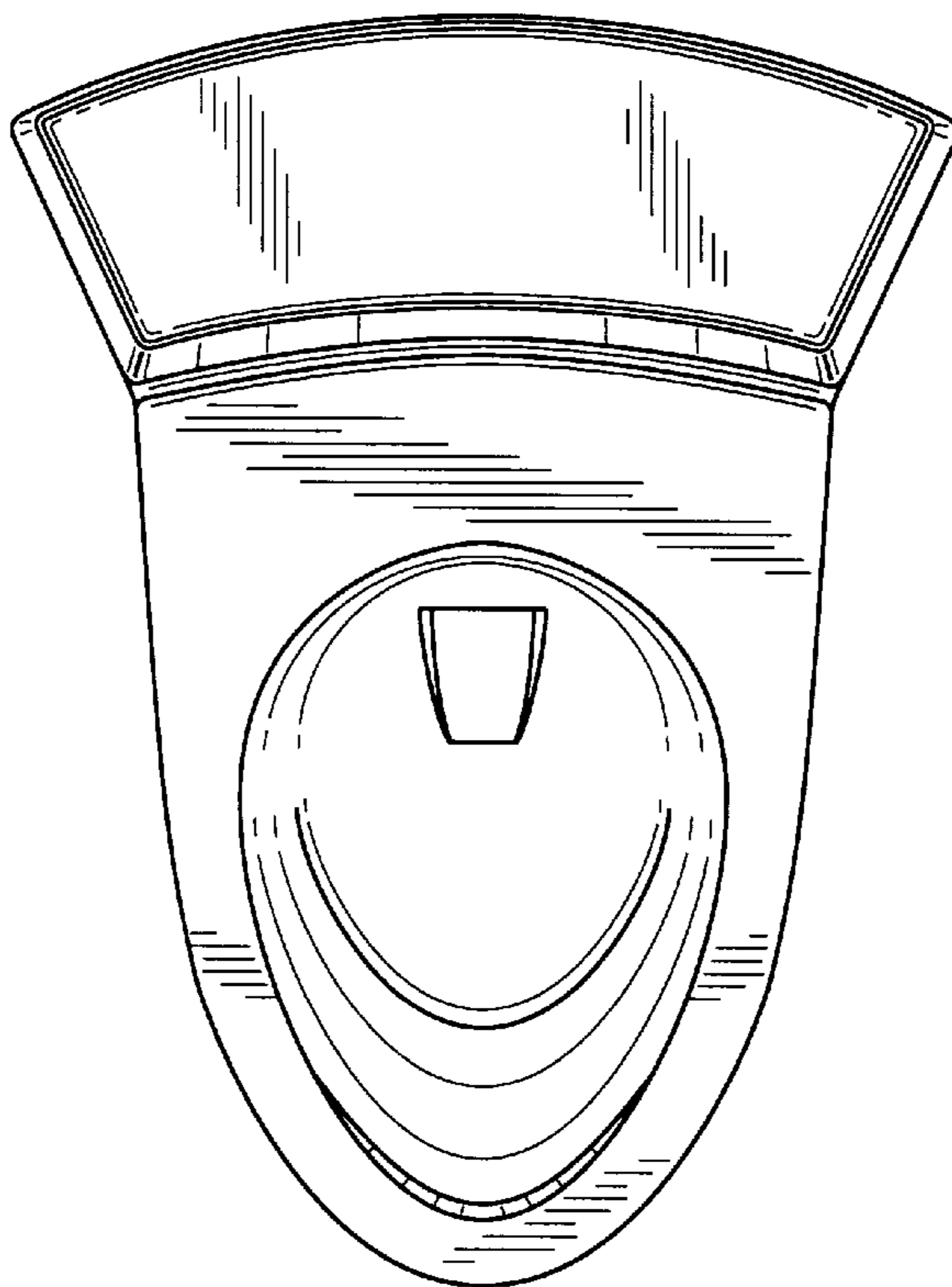


FIG. 6

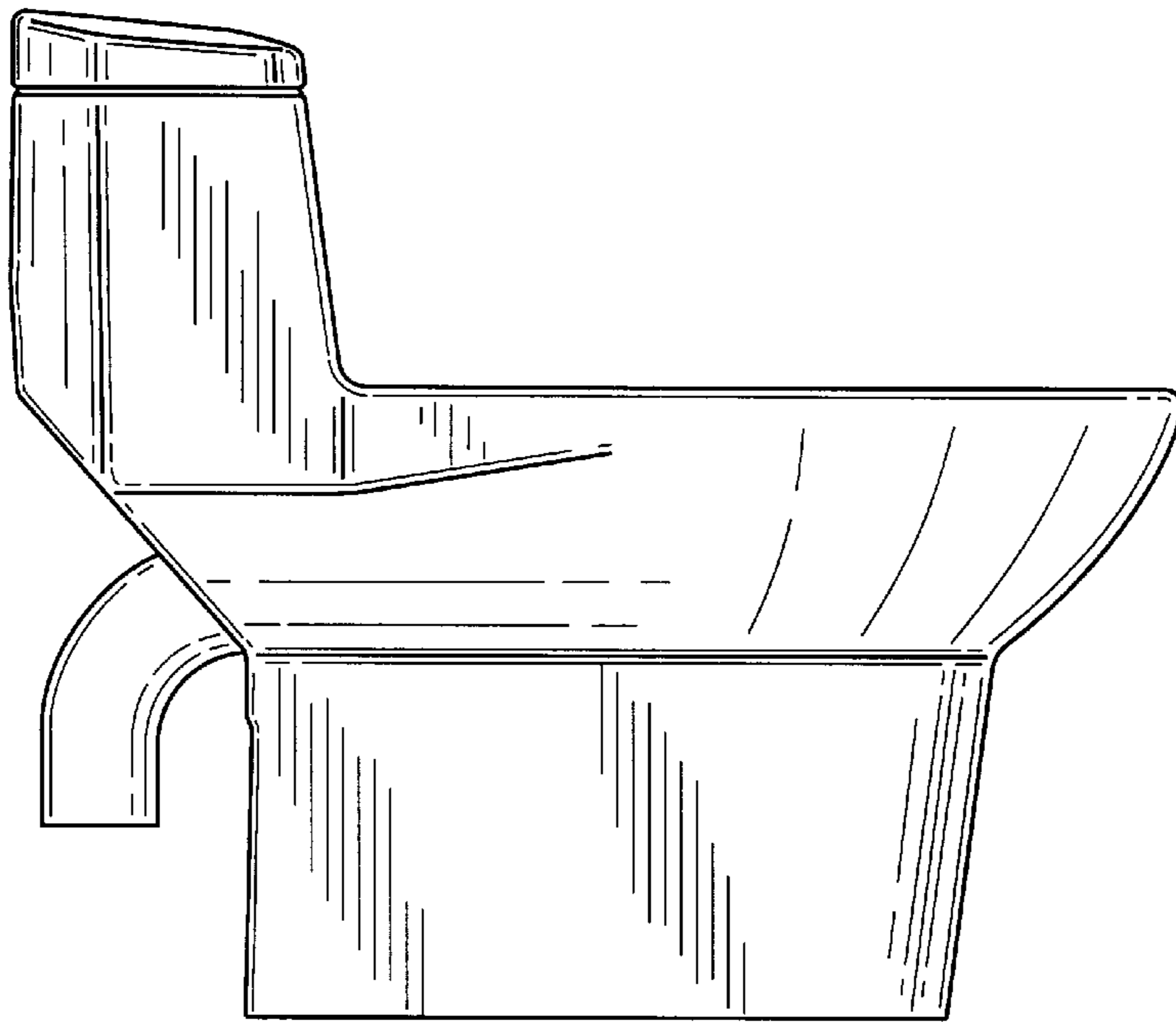


FIG. 7

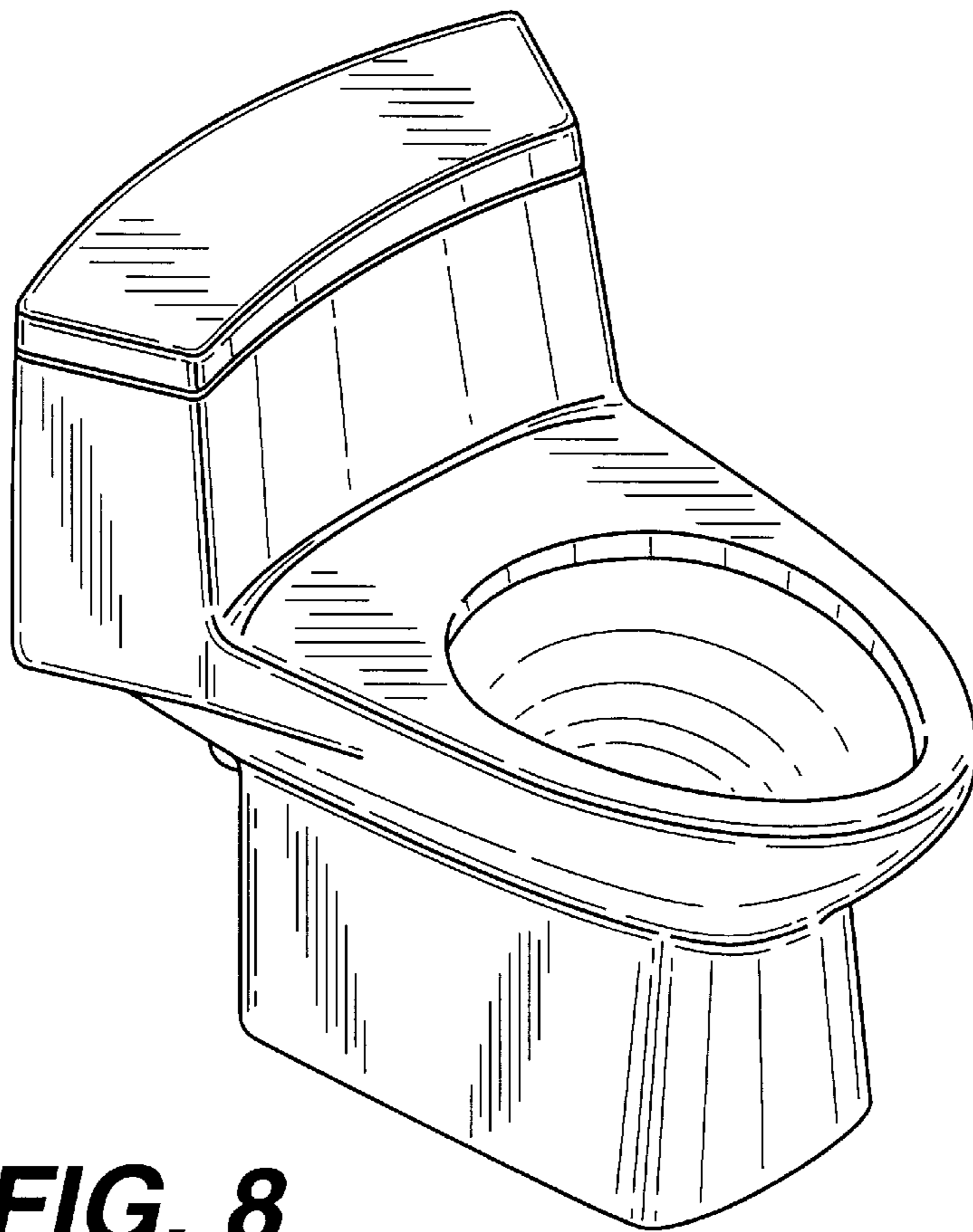


FIG. 8