



US00D414249S

United States Patent [19] Welch

[11] **Patent Number: Des. 414,249**

[45] **Date of Patent: ** Sep. 21, 1999**

[54] **FISH CLEANING TABLE WITH SINK**

[76] Inventor: **Michael R. Welch**, 3179 Monterey Dr.,
Tupelo, Miss. 38801

[**] Term: **14 Years**

[21] Appl. No.: **29/081,718**

[22] Filed: **Jan. 8, 1998**

[51] **LOC (6) Cl. 23-02**

[52] **U.S. Cl. D23/284**

[58] **Field of Search D23/284-293.1;**
4/619, 624, 626, 638-650

[56] **References Cited**

U.S. PATENT DOCUMENTS

- D. 246,051 10/1977 Gruber D23/286 X
- D. 282,574 2/1986 Case et al. D23/286 X
- D. 287,748 1/1987 Landan et al. D23/286
- D. 367,318 2/1996 Liu D23/286

Primary Examiner—Louis S. Zarfes
Assistant Examiner—Eric Watterson
Attorney, Agent, or Firm—Nixon & Vanderhye P.C.

[57] **CLAIM**

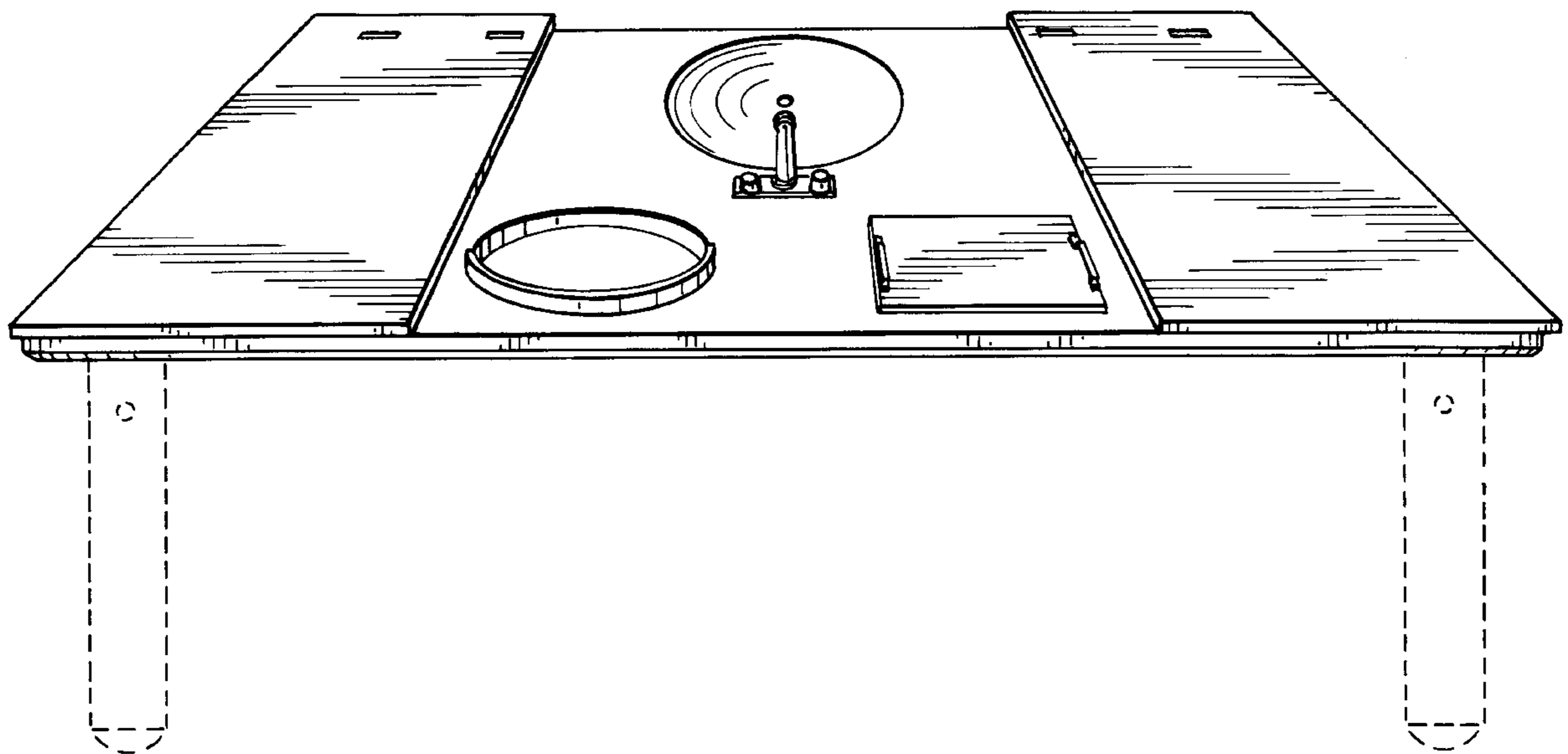
The ornamental design for a fish cleaning table with sink, as shown and described.

DESCRIPTION

FIG. 1 is a perspective view of the fish cleaning table with sink according to the invention;
FIG. 2 is a plan view thereof;
FIG. 3 is a bottom view thereof;
FIG. 4 is a rear view thereof;
FIG. 5 is a front view thereof;
FIG. 6 is a right side view thereof; and,
FIG. 7 is a left side view thereof.

The broken line showing is for illustrative purposes only and forms no part of the claimed design.

1 Claim, 6 Drawing Sheets



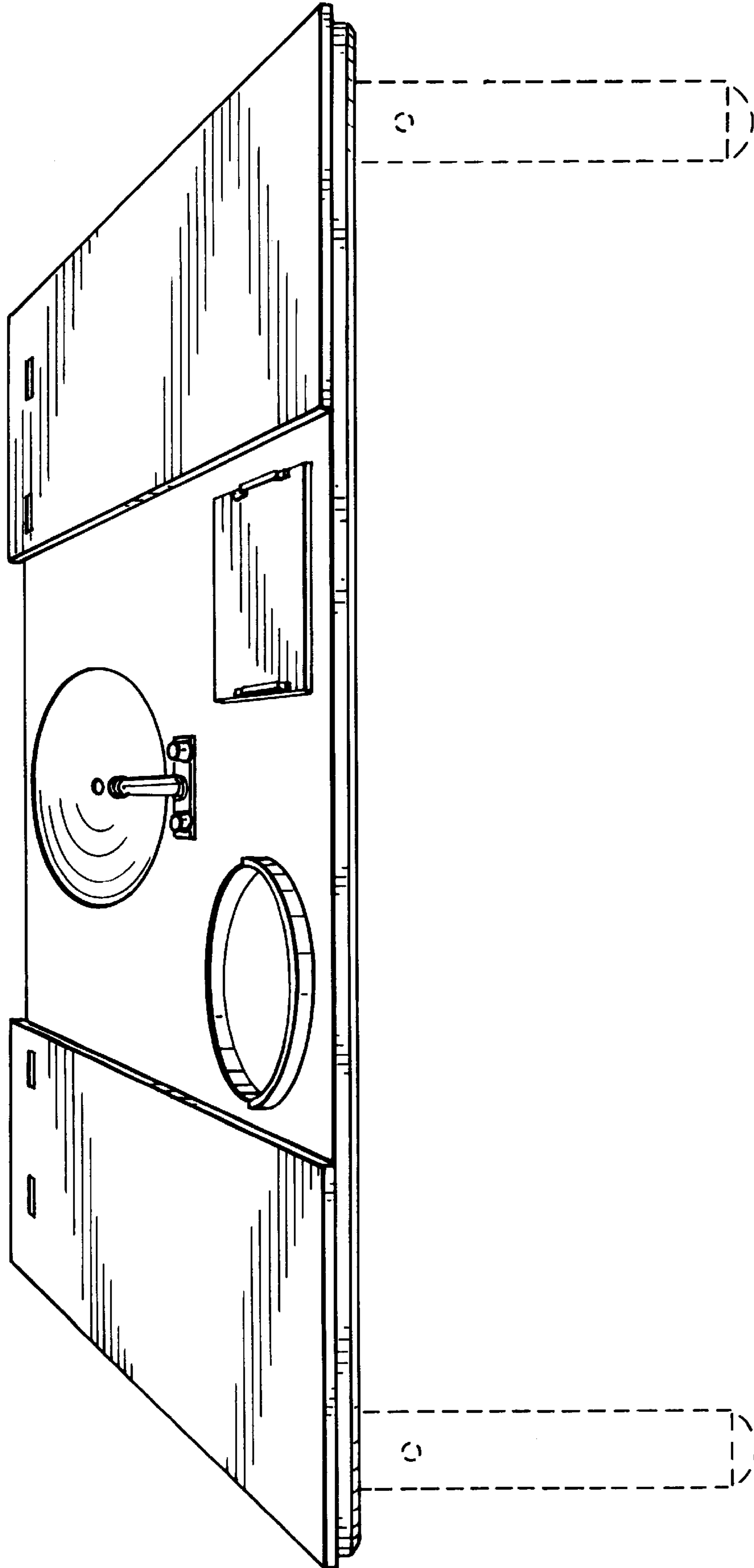


Fig. 1

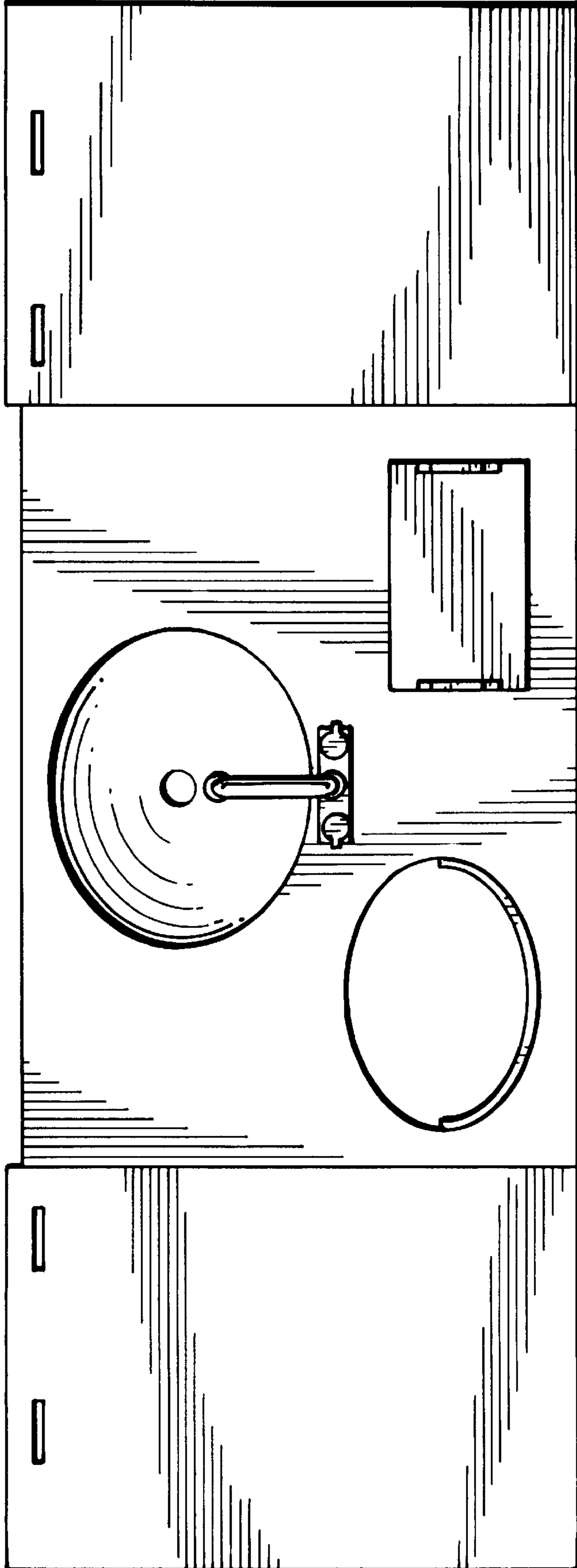


Fig. 2

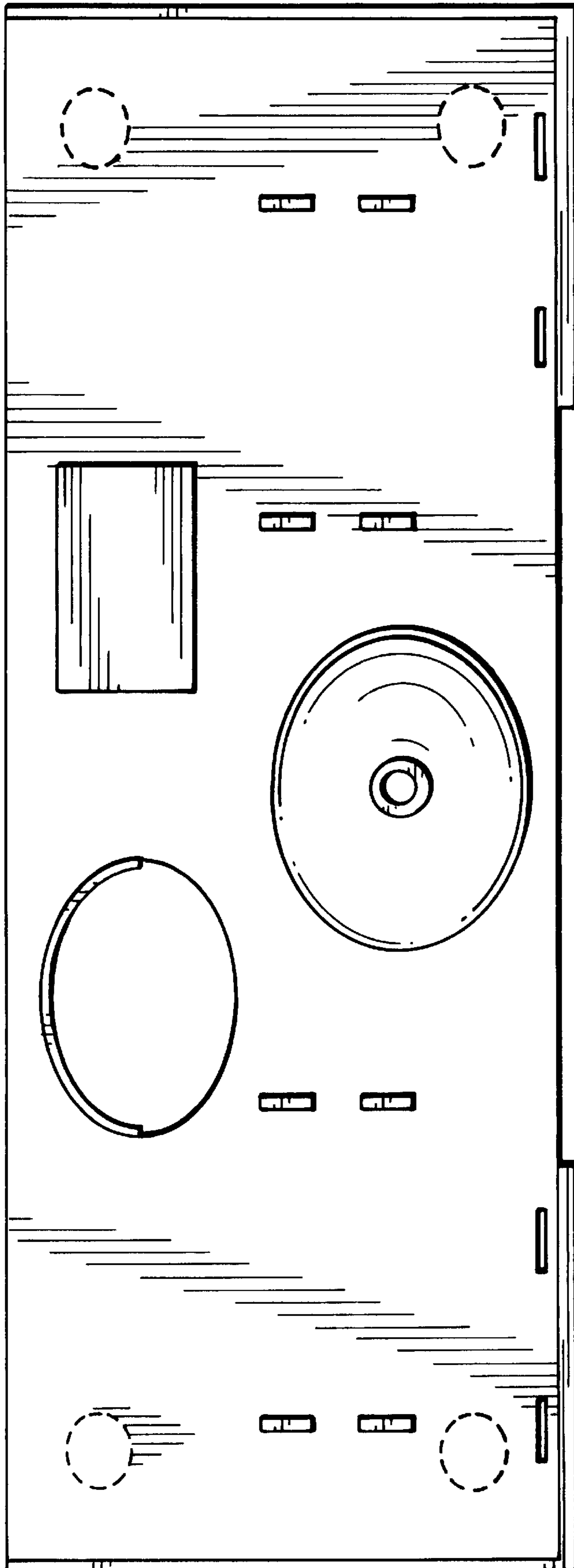


Fig. 3

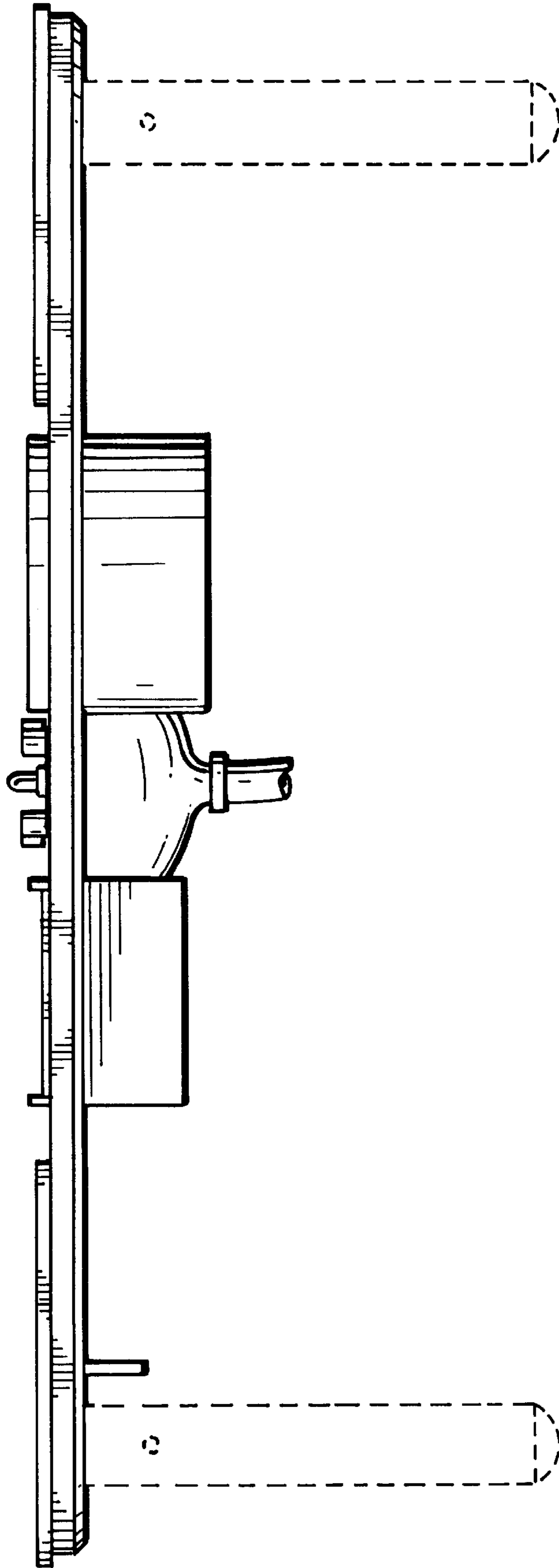


Fig. 4

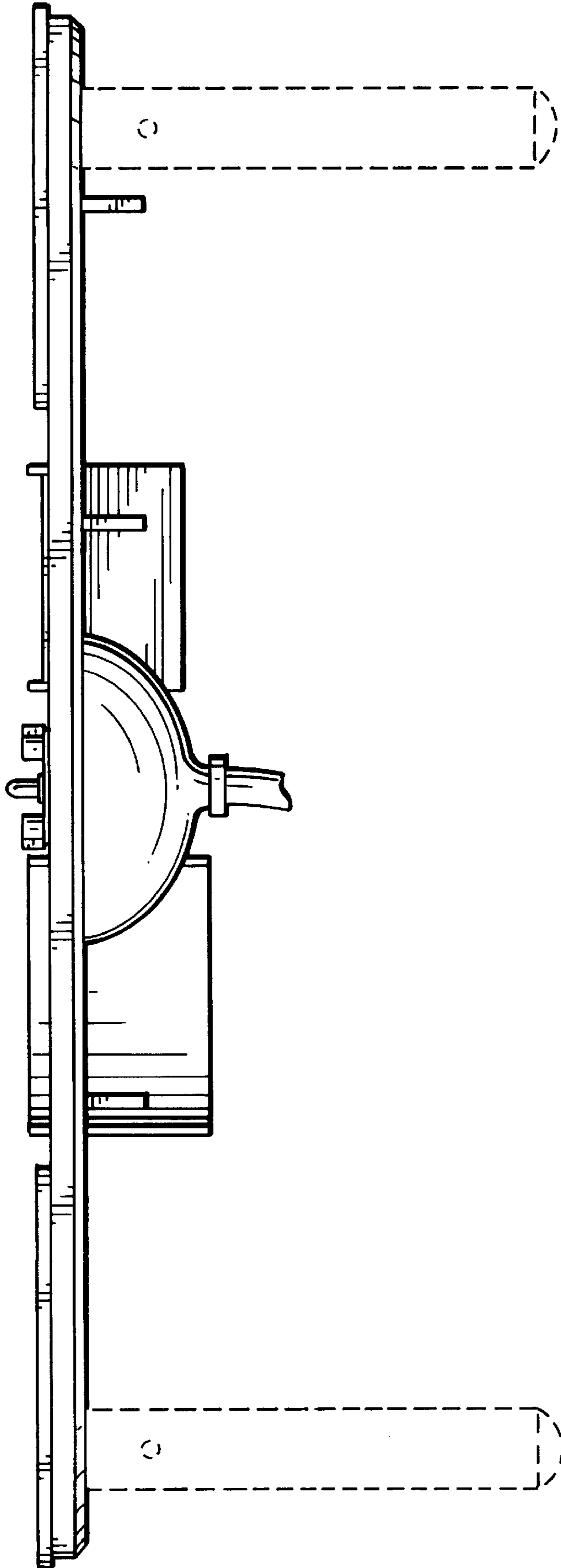


Fig. 5

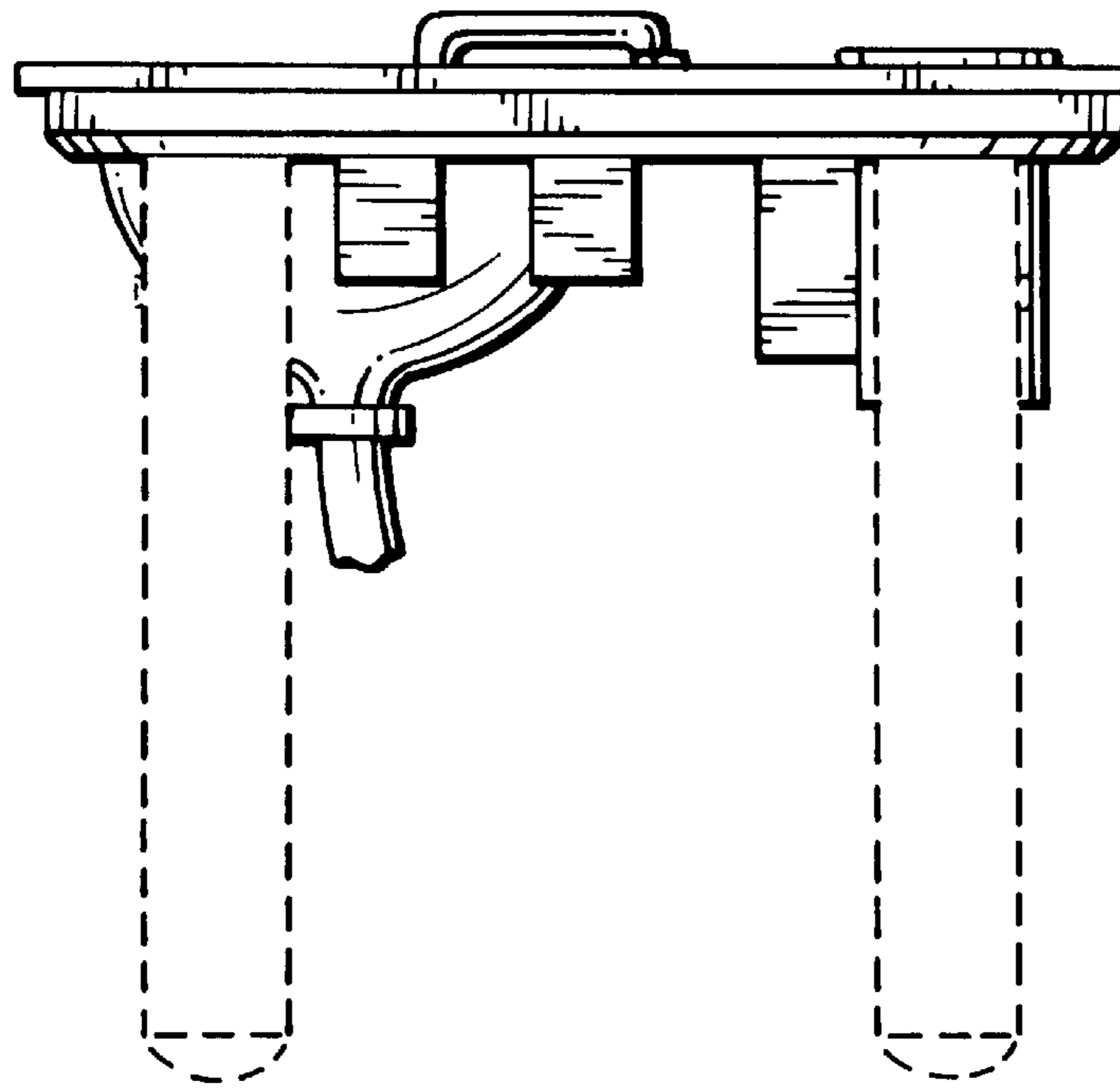


Fig. 6

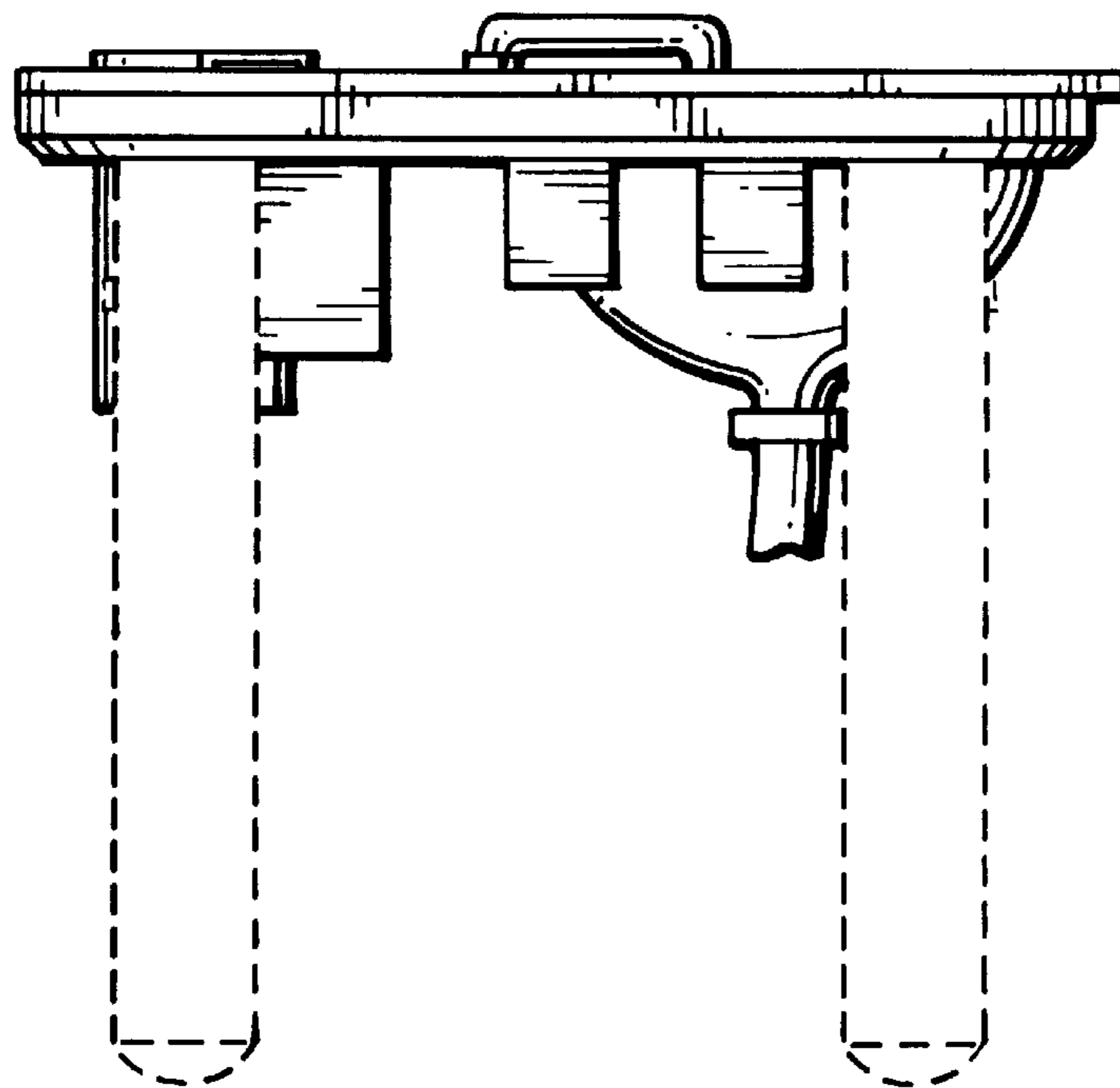


Fig. 7