



US00D414246S

United States Patent [19]

Hayashi et al.

[11] Patent Number: **Des. 414,246**

[45] Date of Patent: **** Sep. 21, 1999**

[54] **ELECTROMAGNETIC VALVE**

[75] Inventors: **Bunya Hayashi; Masaru Narita**, both of Yawara-mura, Japan

[73] Assignee: **SMC Corporation**, Tokyo, Japan

[*] Notice: This patent is subject to a terminal disclaimer.

[**] Term: **14 Years**

[21] Appl. No.: **29/057,776**

[22] Filed: **Jul. 31, 1996**

[30] **Foreign Application Priority Data**

Feb. 9, 1996 [JP] Japan 8-3240

[51] **LOC (6) Cl.** **23-01**

[52] **U.S. Cl.** **D23/233**

[58] **Field of Search** D23/233, 248; 137/269, 271, 884

[56] **References Cited**

U.S. PATENT DOCUMENTS

D. 295,050	4/1988	Kanno	D15/7
D. 335,172	4/1993	Tamaki	D23/248
D. 338,258	8/1993	Tamaki	D23/248
4,402,651	9/1983	Ise	137/271 X
5,333,647	8/1994	Fukano et al.	137/884

5,459,953	10/1995	Fukano et al.	137/884 X
5,462,087	10/1995	Fukano et al.	137/884
5,529,088	6/1996	Asou	132/217 X

OTHER PUBLICATIONS

CENS Taiwan Hardware Aug. 1995; p. 128—valves indicated by arrows.

Primary Examiner—Ted Shooman
Assistant Examiner—C. Tuttle
Attorney, Agent, or Firm—Oblon, Spivak, McClelland, Maier & Neustadt, P.C.

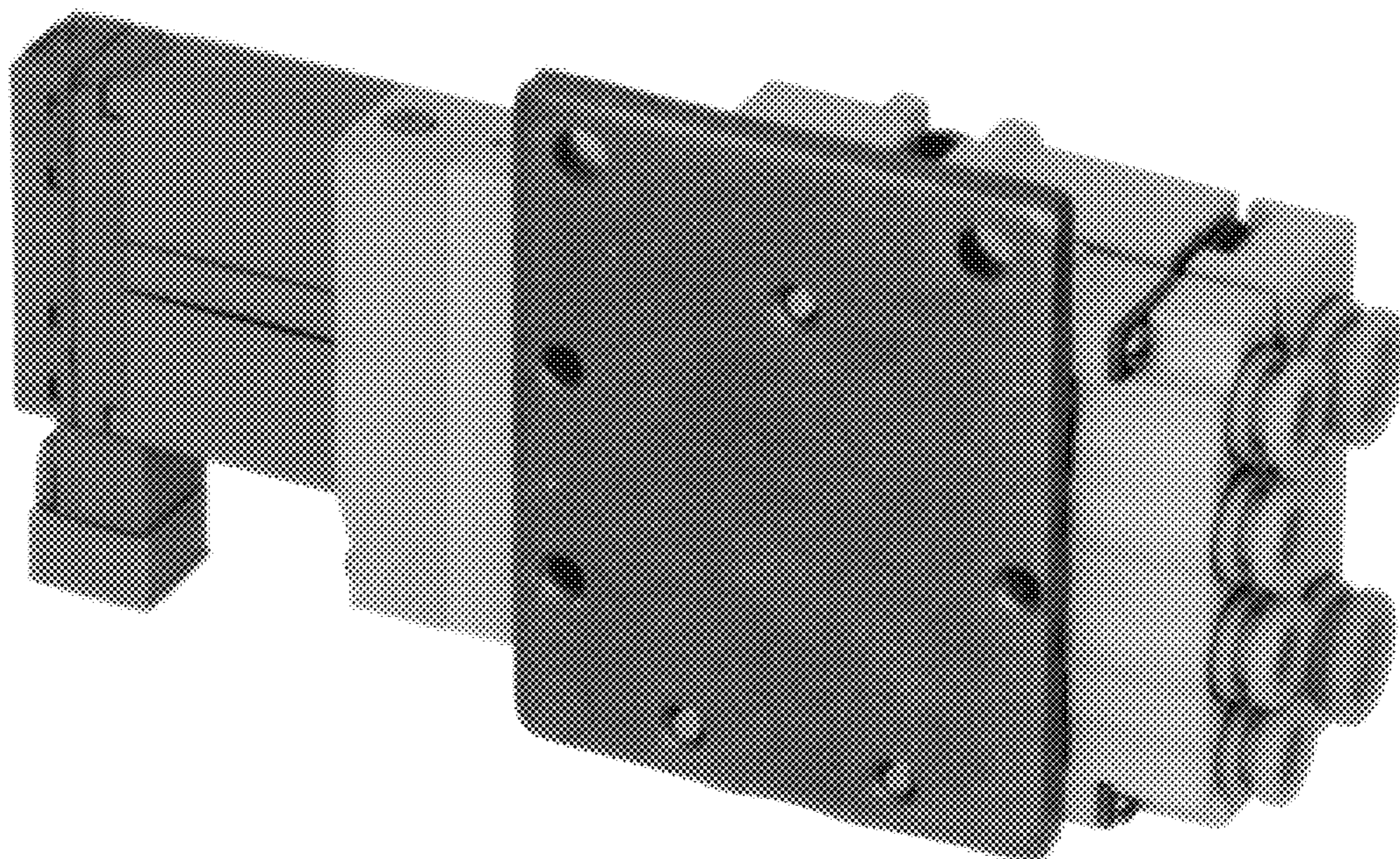
[57] **CLAIM**

The ornamental design for an electromagnetic valve, as shown.

DESCRIPTION

FIG. 1 is a top, front and left side perspective view of electromagnetic valve embodying our new design; FIG. 2 is a bottom, rear and right side perspective view thereof; FIG. 3 is a front elevational view thereof; FIG. 4 is a rear elevational view thereof; FIG. 5 is a left side view thereof; FIG. 6 is a right side view thereof; FIG. 7 is a top plan view thereof; and, FIG. 8 is a bottom view thereof.

1 Claim, 8 Drawing Sheets



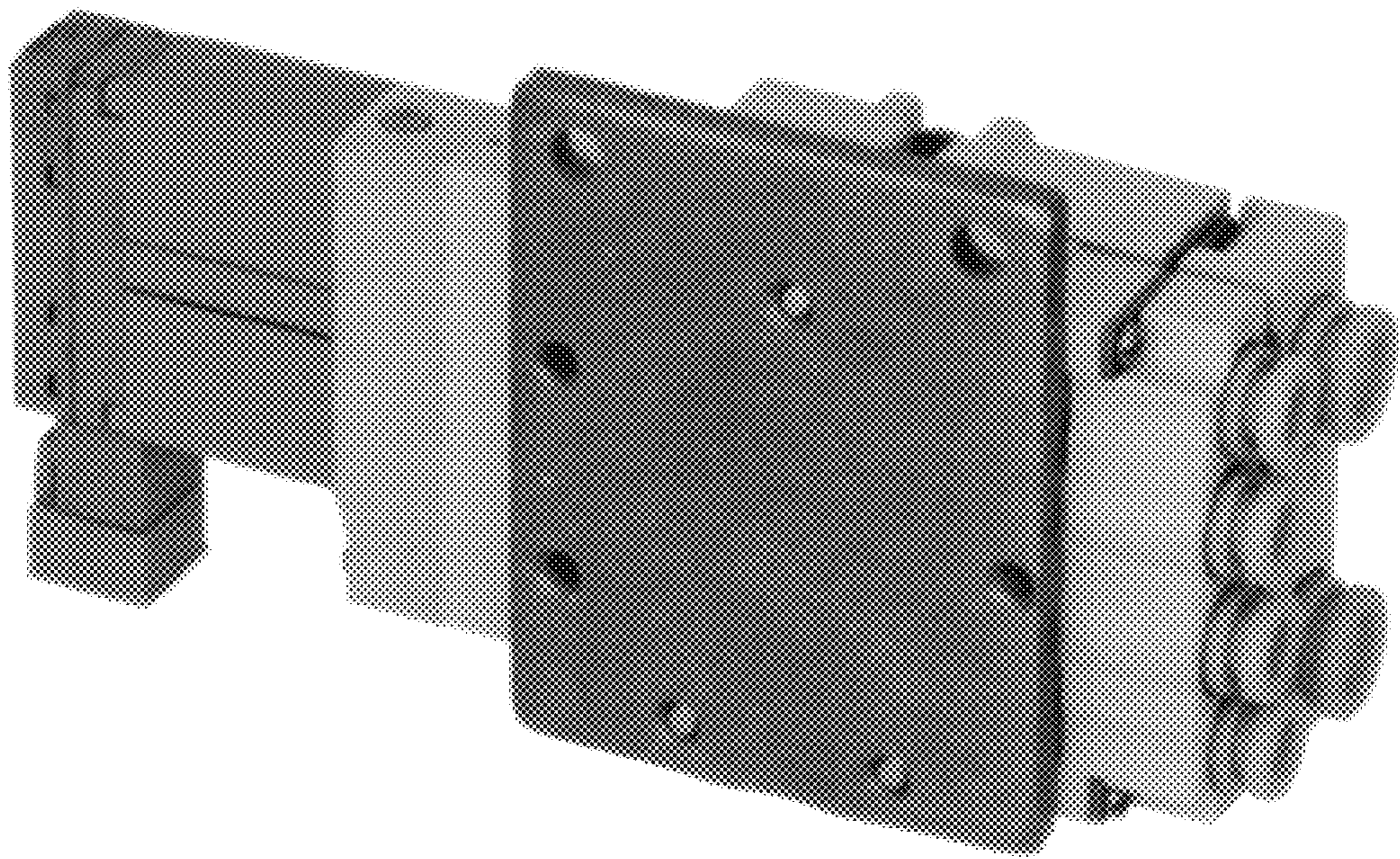
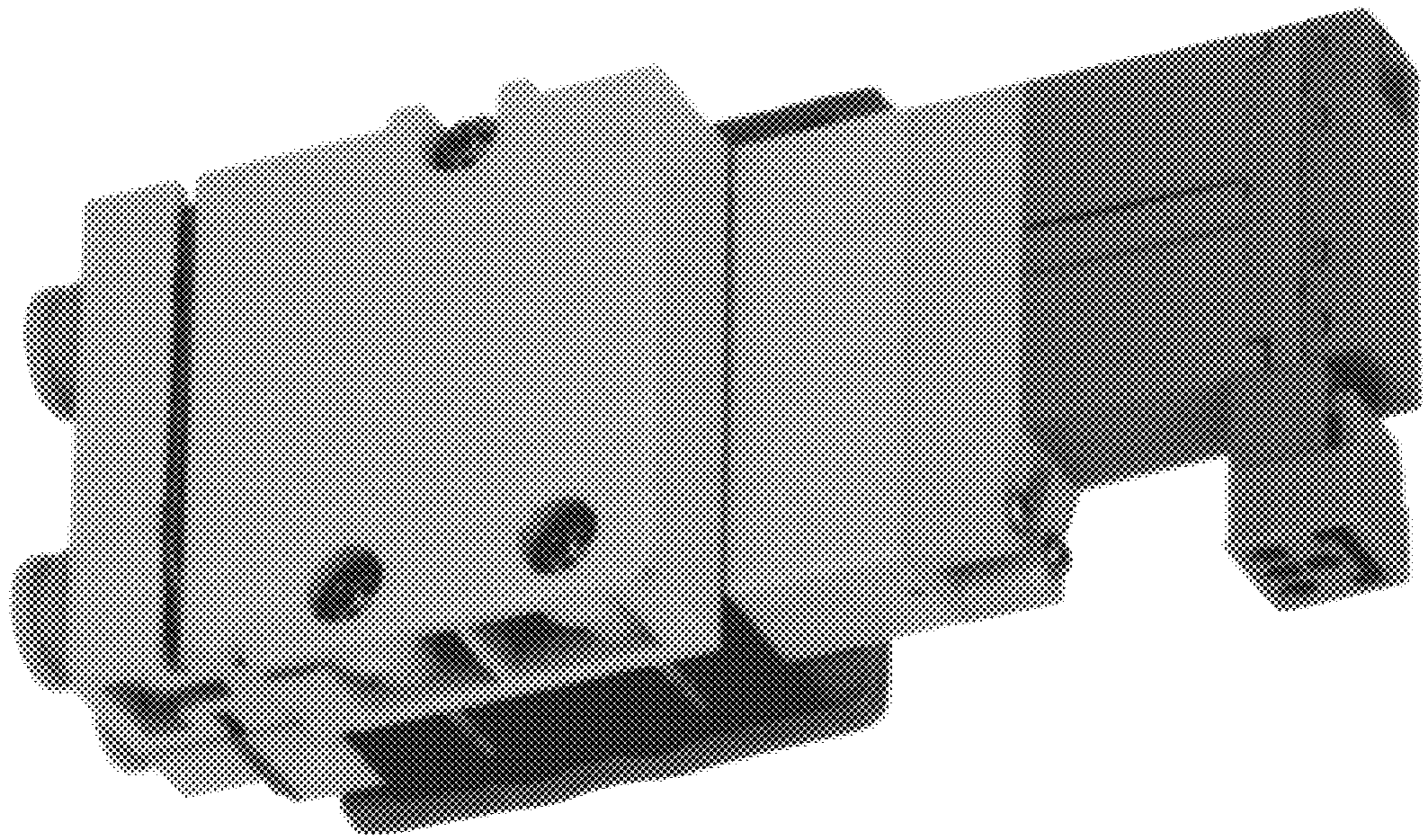


FIG. 1

FIG. 2



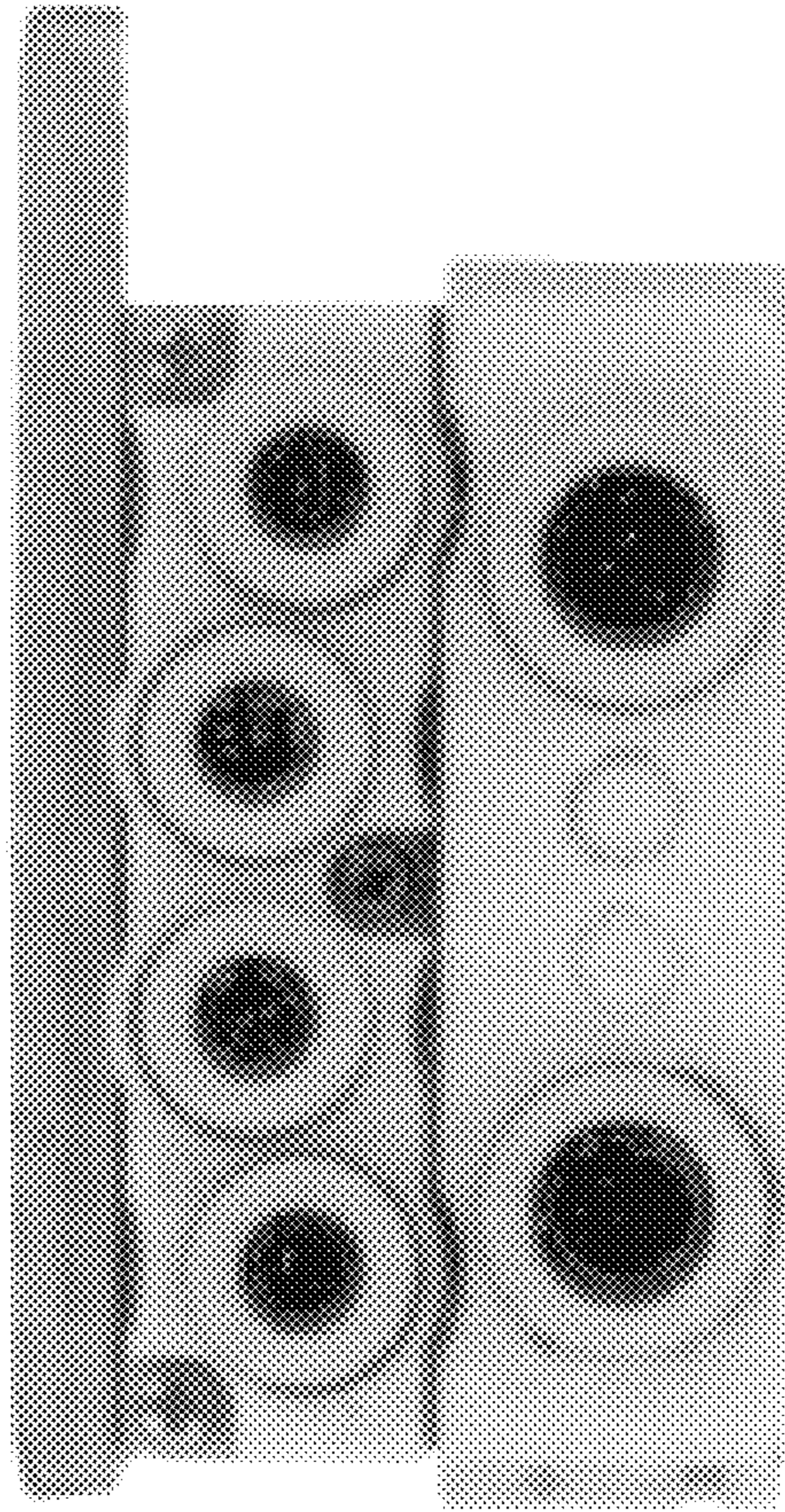


FIG. 3

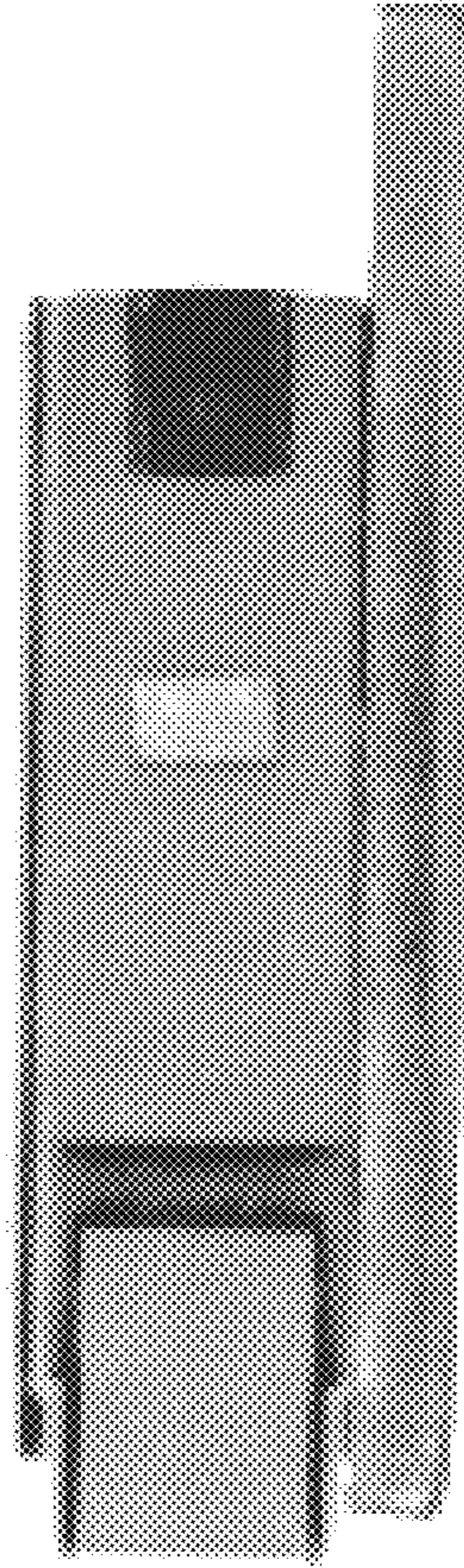


FIG. 4

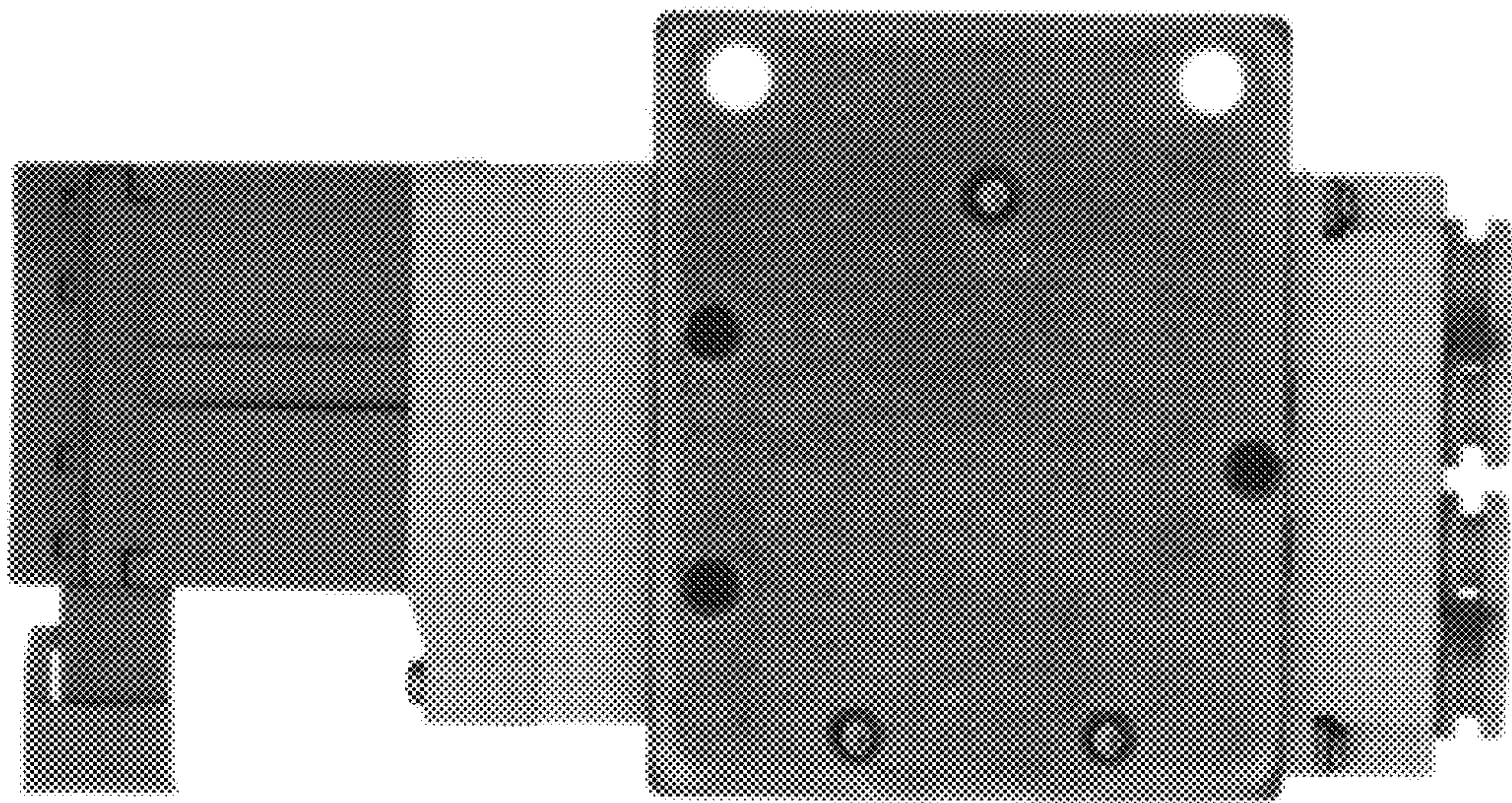


FIG. 5

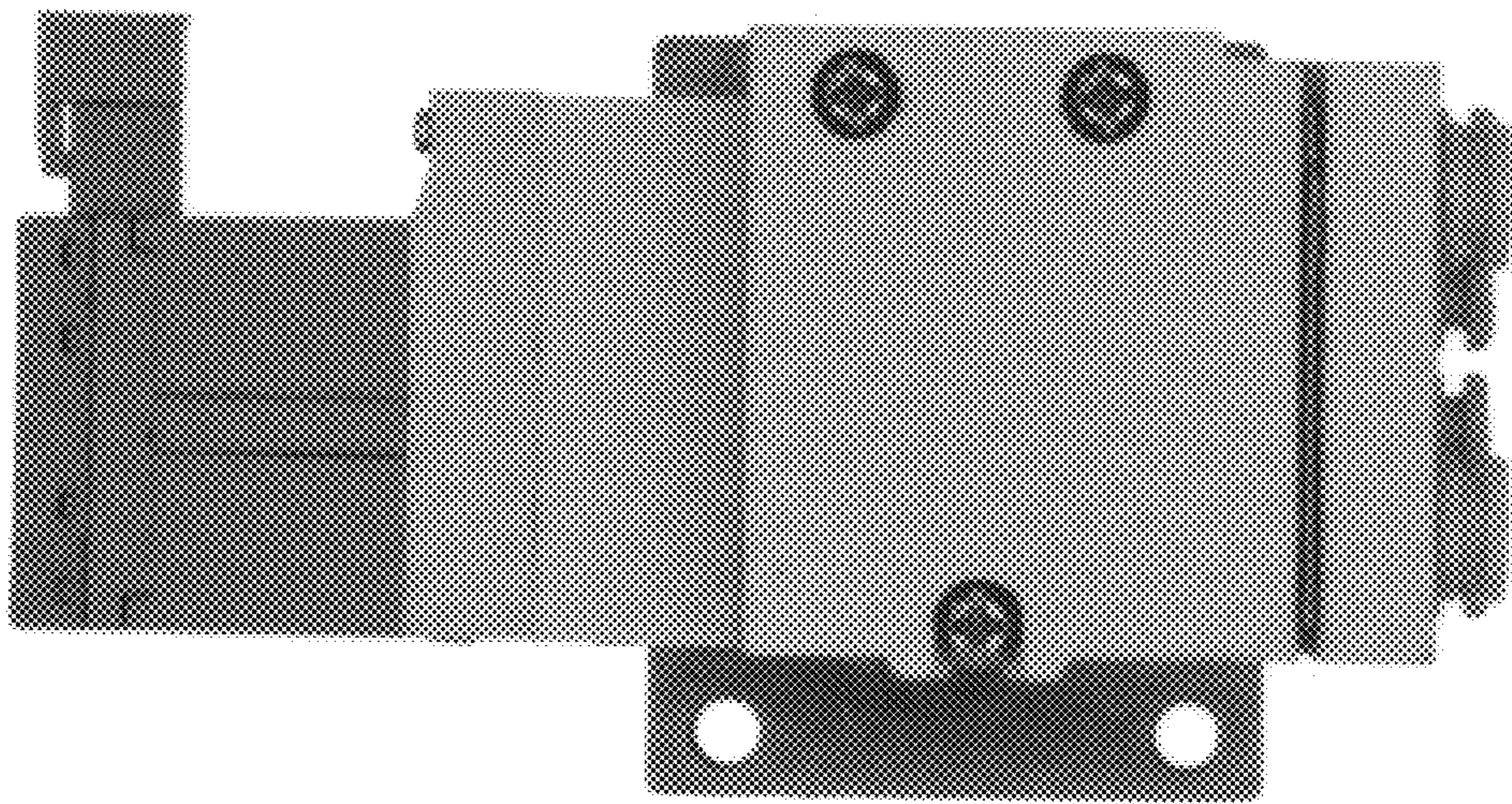


FIG. 6

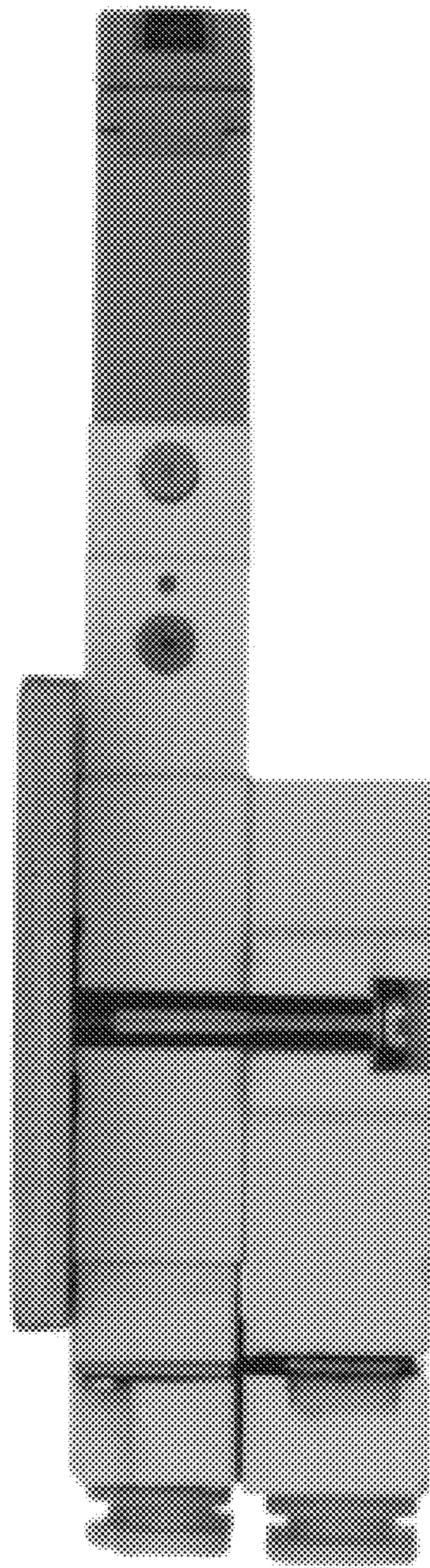


FIG. 7

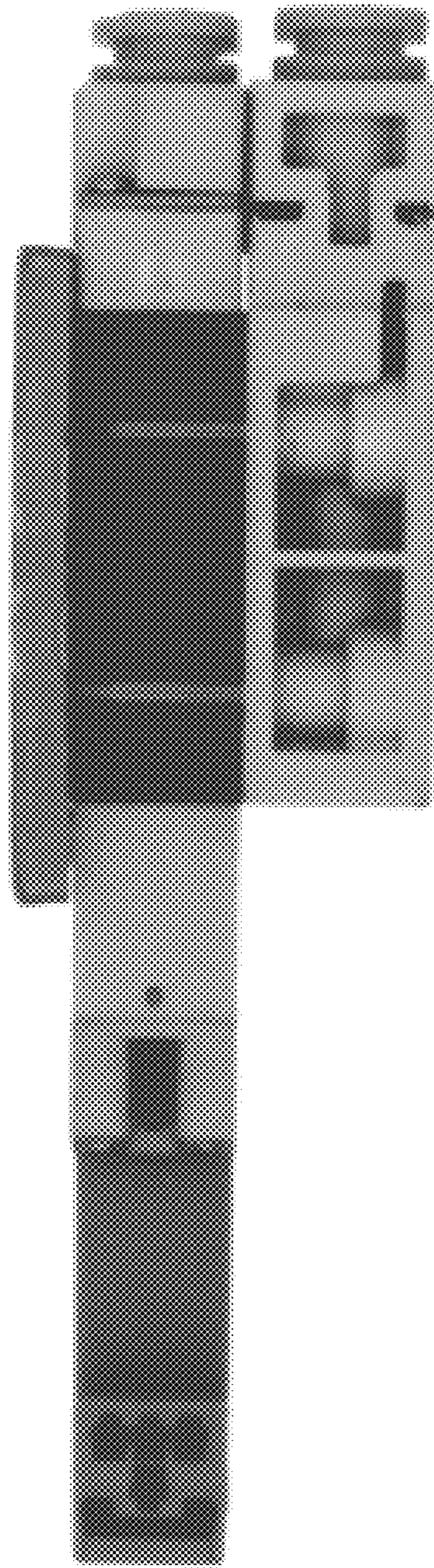


FIG. 8