



US00D414242S

**United States Patent** [19]  
**Carter**

[11] **Patent Number: Des. 414,242**

[45] **Date of Patent: \*\* Sep. 21, 1999**

[54] **AQUARIUM FILTER**

[76] Inventor: **Mace J Carter**, 312 Houchin Rd.,  
Bakersfield, Calif. 93304

[\*\*] Term: **14 Years**

[21] Appl. No.: **29/073,774**

[22] Filed: **Jul. 17, 1997**

[51] **LOC (6) Cl.** ..... **23-01**

[52] **U.S. Cl.** ..... **D23/210**

[58] **Field of Search** ..... D23/200, 207,  
D23/209, 210; 210/169, 416.2, 266, 282

[56] **References Cited**

**U.S. PATENT DOCUMENTS**

D. 353,439	12/1994	Smith et al. ....	D23/210
4,988,436	1/1991	Cole .....	210/416.2
5,098,585	3/1992	Woltman .....	210/416.2
5,632,887	5/1997	Gargas et al. ....	210/416.2

*Primary Examiner*—Alan P. Douglas  
*Assistant Examiner*—Robin V. Taylor

[57] **CLAIM**

I claim the ornamental design for an aquarium filter, as shown and described.

**DESCRIPTION**

FIG. 1 is a side view of the aquarium filter showing my new design. The opposite side being a mirror image of the side shown in FIG. 1.

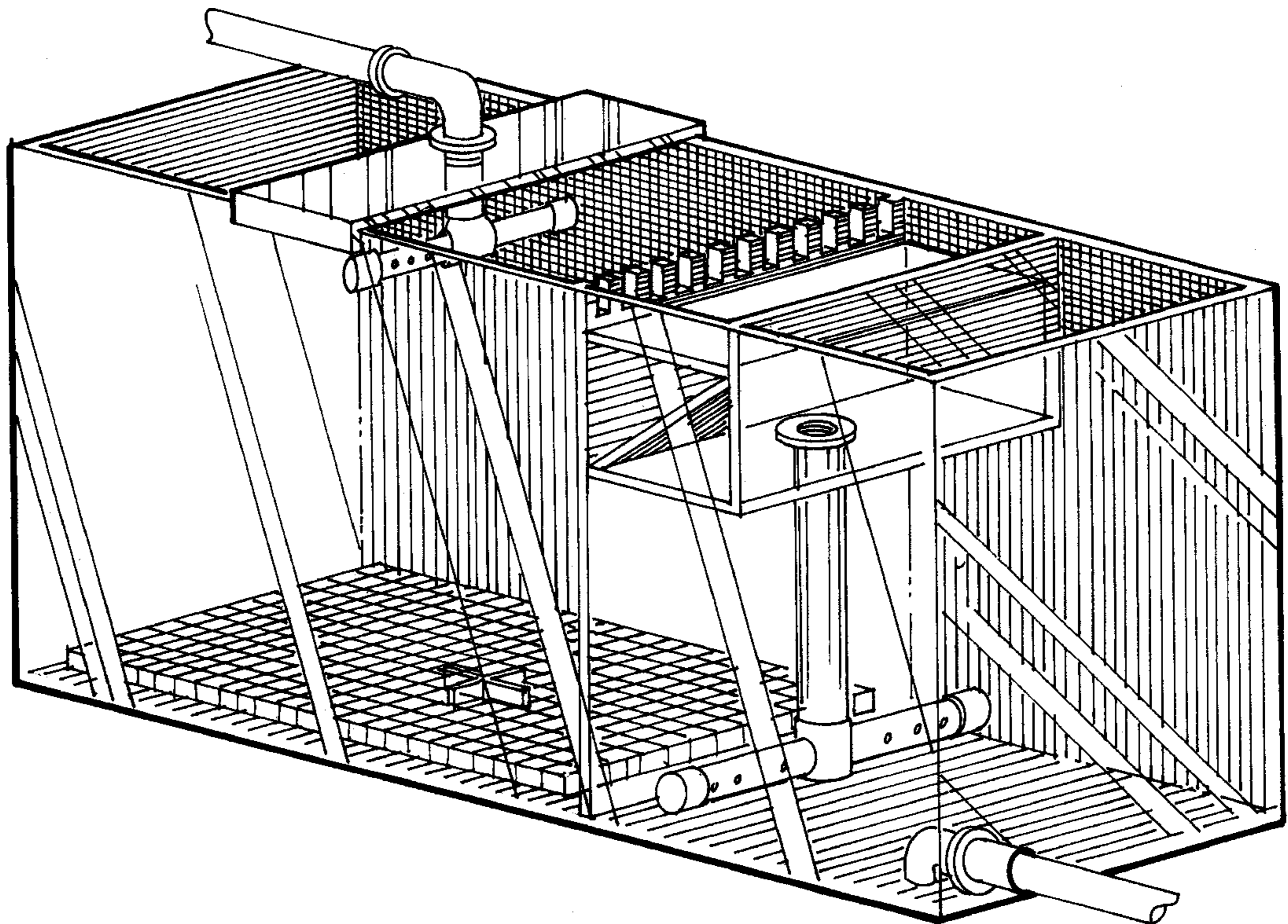
FIG. 2 is a top view of the aquarium filter showing my new design.

FIG. 3 is the end view of the aquarium filter showing my new design; and,

FIG. 4 is an isometric view of the aquarium filter showing my new design.

The hoses in FIGS. 1 and 3 are shown broken away to indicate indeterminate length.

**1 Claim, 4 Drawing Sheets**



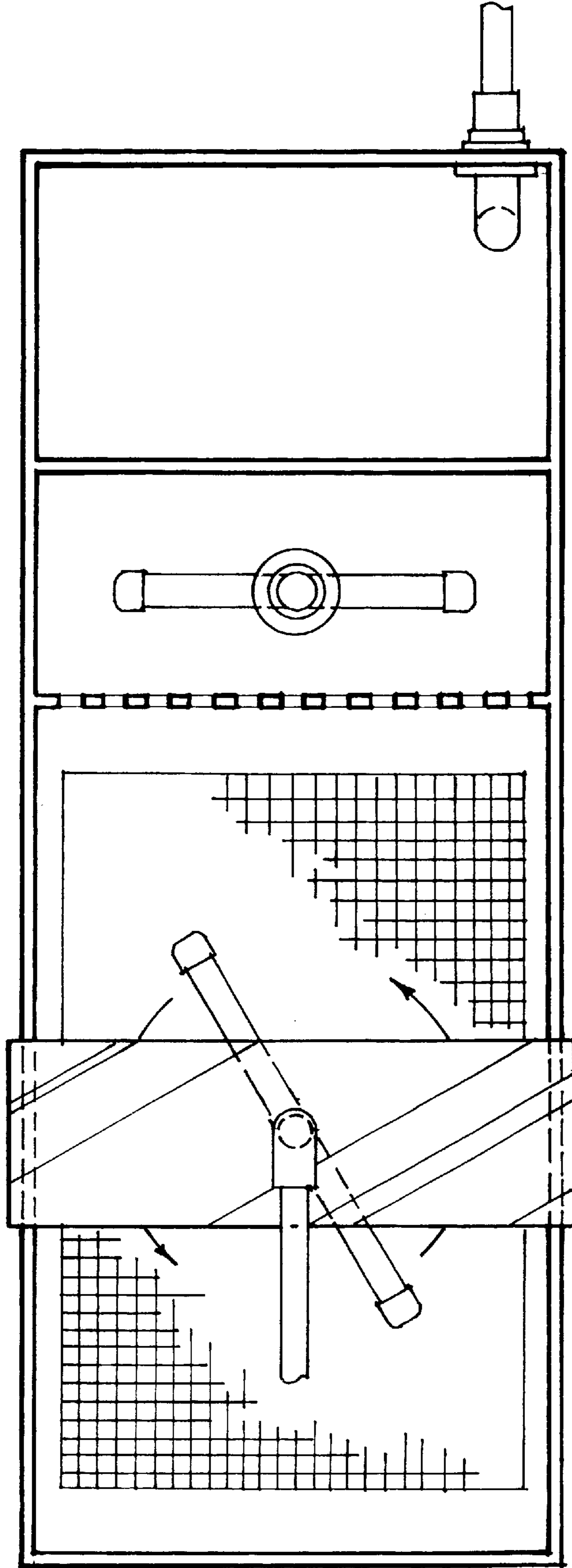


FIG. 1

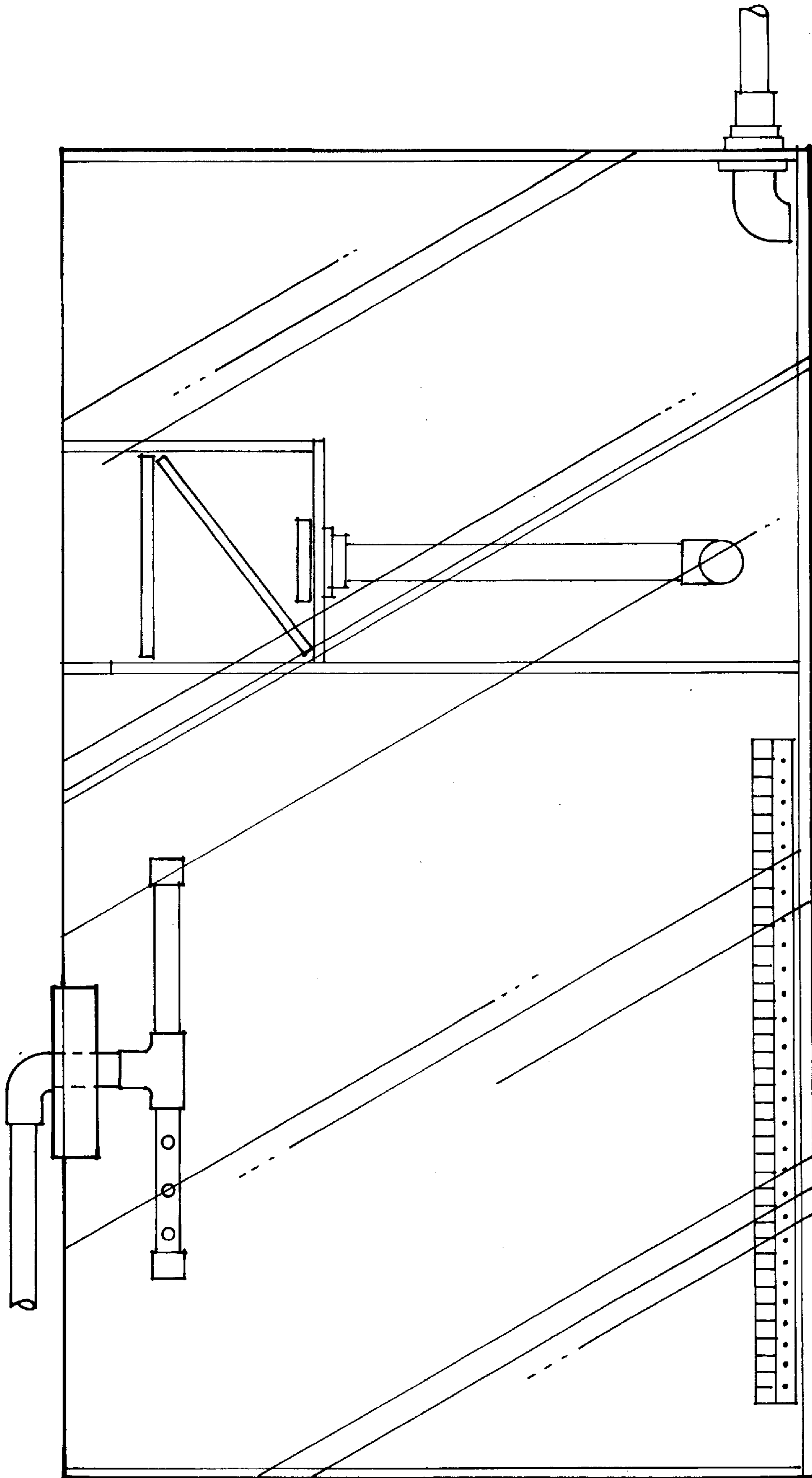


FIG. 2

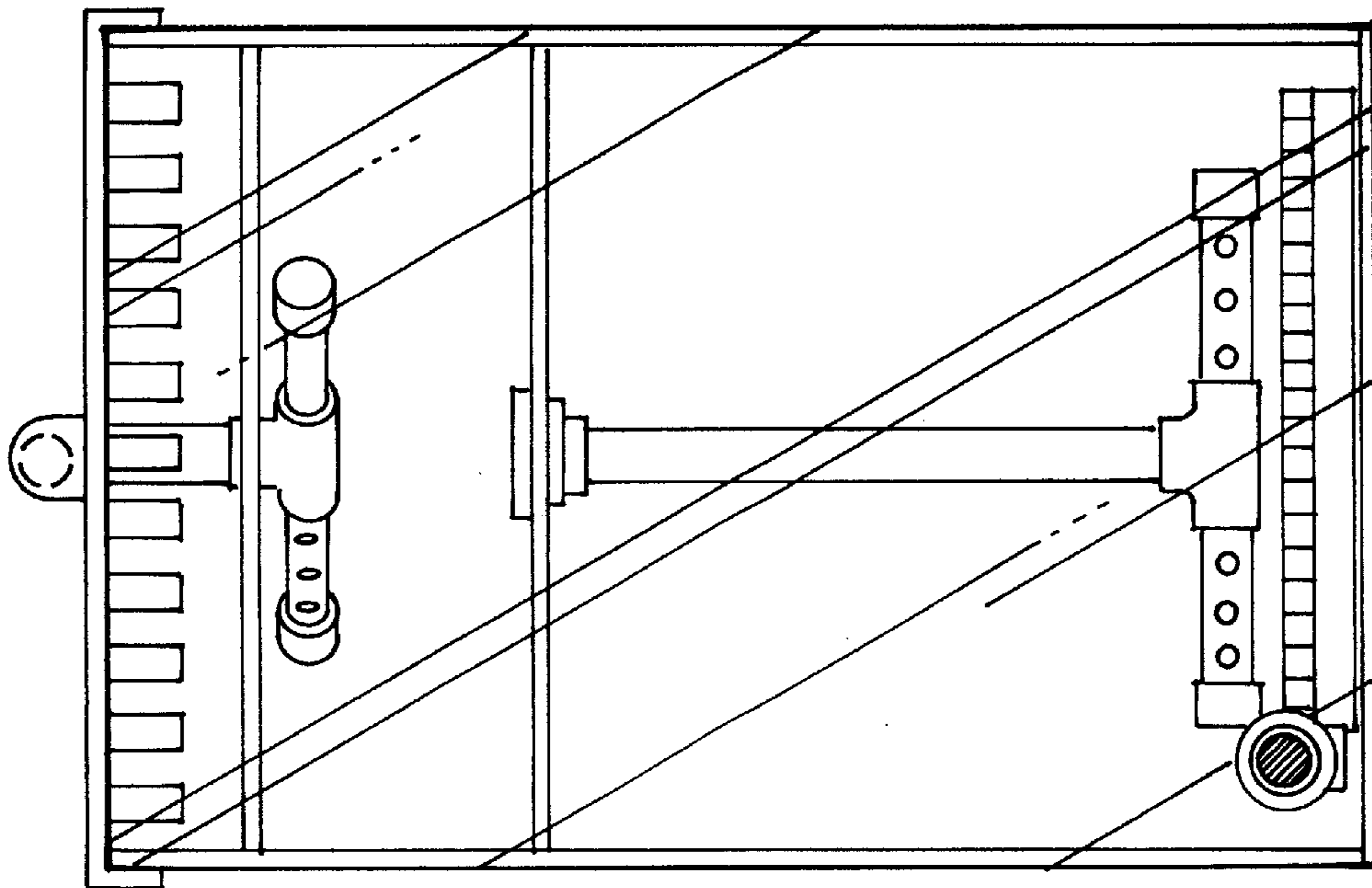


FIG. 3



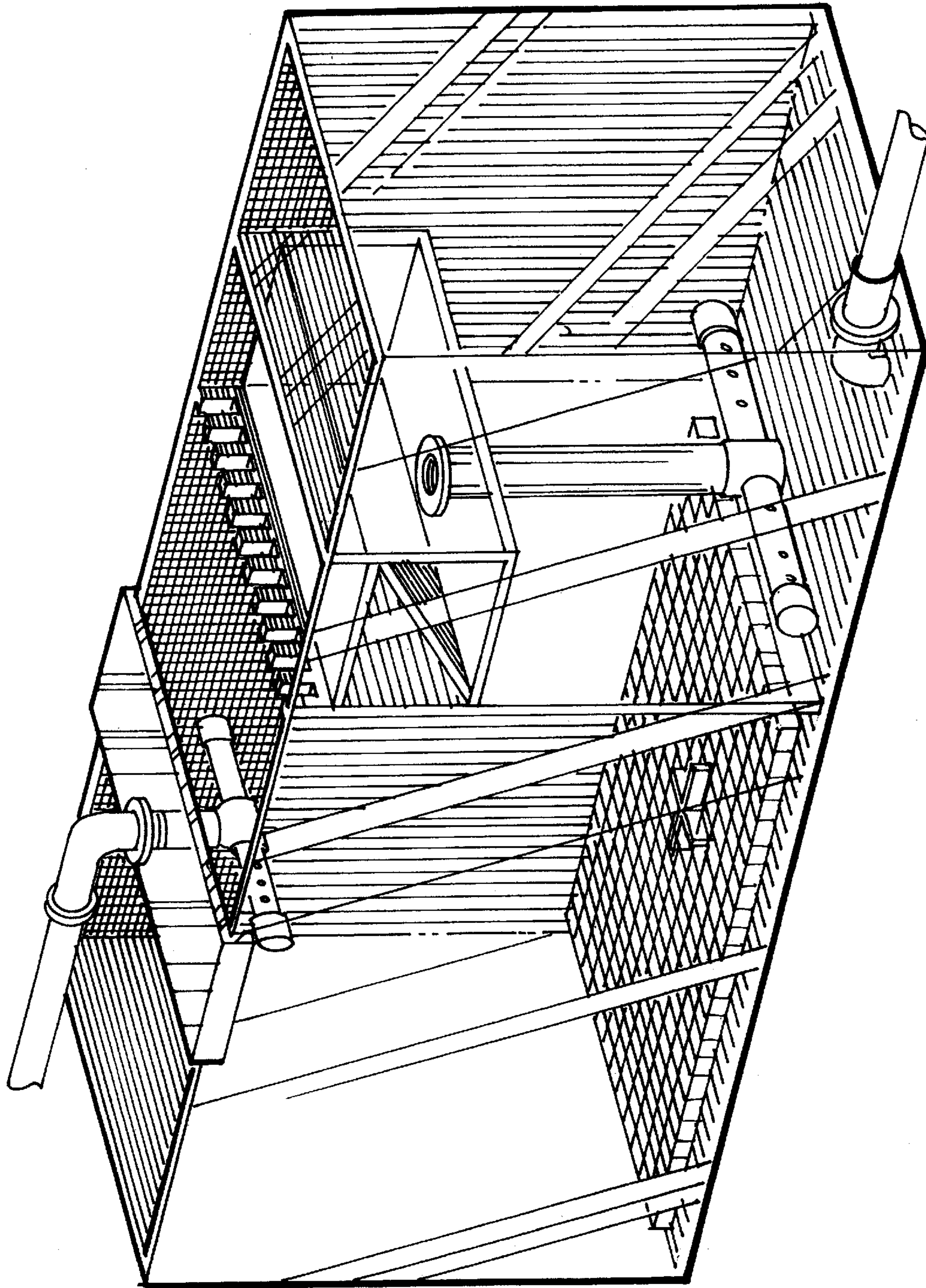


FIG. 4