



US00D414239S

United States Patent [19] Lovelady

[11] Patent Number: **Des. 414,239**

[45] Date of Patent: **** Sep. 21, 1999**

[54] **ROD AND REEL HOLDER FOR ROCK JETTIES**

[76] Inventor: **Hubert G. Lovelady**, 4352 Wildt Rd., San Antonio, Tex. 78222

[**] Term: **14 Years**

[21] Appl. No.: **29/094,754**

[22] Filed: **Oct. 9, 1998**

[51] **LOC (6) Cl.** **22-05**

[52] **U.S. Cl.** **D22/147**

[58] **Field of Search** D22/134, 137, D22/138, 139, 142, 147, 148, 199; 43/1, 4, 18.1, 21.2, 54.1; 248/511, 512, 514, 519, 520, 528

[56] **References Cited**

U.S. PATENT DOCUMENTS

D. 175,374	8/1955	Stroud	D22/147
D. 179,525	1/1957	Porter	D22/147
D. 255,259	6/1980	Nelson	D22/147

2,958,491	11/1960	Ackley	248/514
4,527,349	7/1985	Emory, Jr.	248/520
4,932,152	6/1990	Barlotta et al.	248/519
4,964,233	10/1990	Benson et al.	43/21.2
5,438,789	8/1995	Emory	248/514

Primary Examiner—Louis S. Zarfes
Assistant Examiner—Inga-Maria Hyttinen

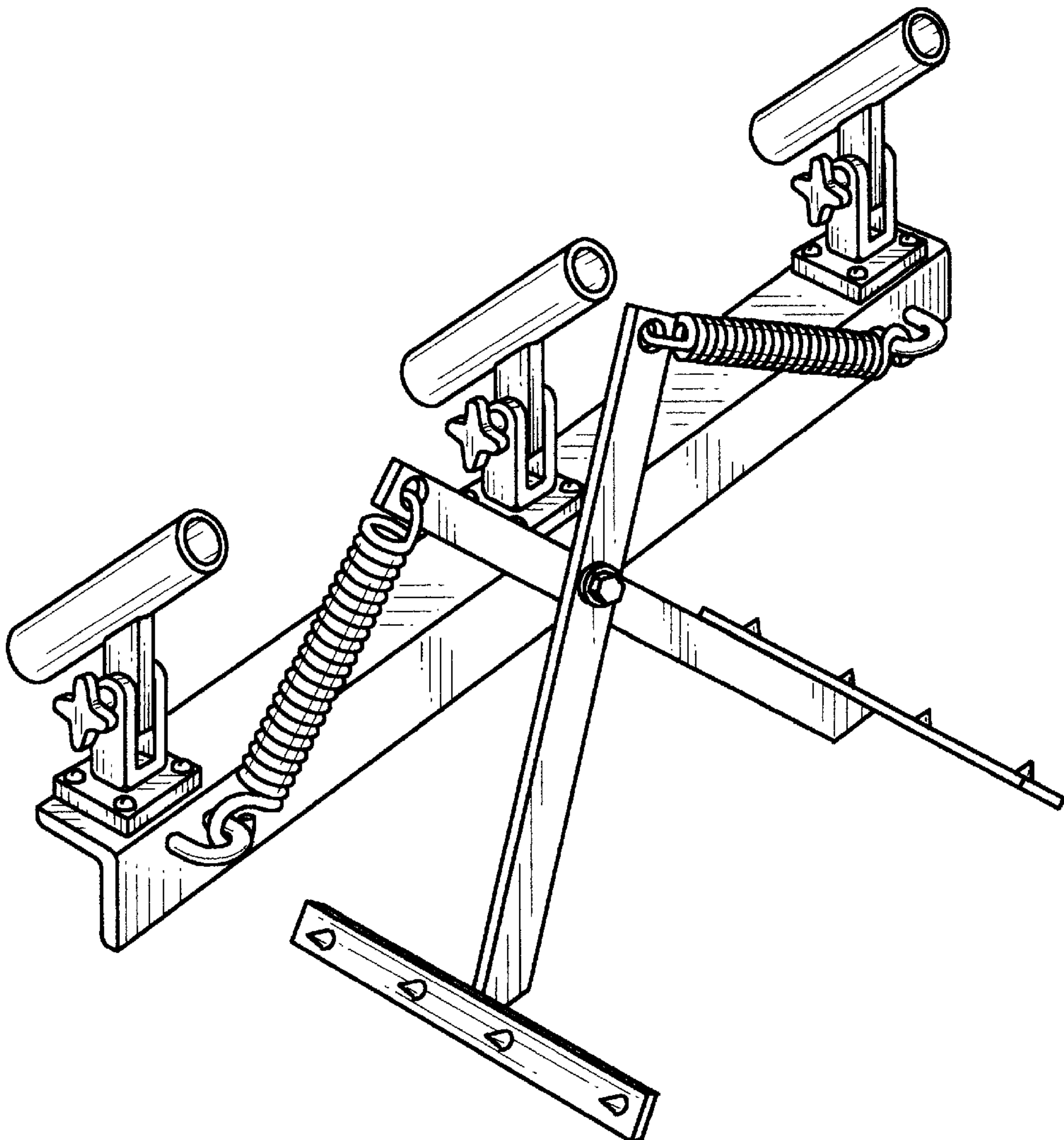
[57] **CLAIM**

The ornamental design for a rod and reel holder for rock jetties, as shown.

DESCRIPTION

FIG. 1 Is a left hand front elevational view of a rod and reel holder for rock jetties showing my new design;
FIG. 2 Is a top plan view thereof;
FIG. 3 Is a front elevational view thereof;
FIG. 4 Is a rear elevational view thereof;
FIG. 5 Is a bottom plan view thereof;
FIG. 6 Is a right side elevational view thereof; and,
FIG. 7 Is a left side elevational view thereof.

1 Claim, 4 Drawing Sheets



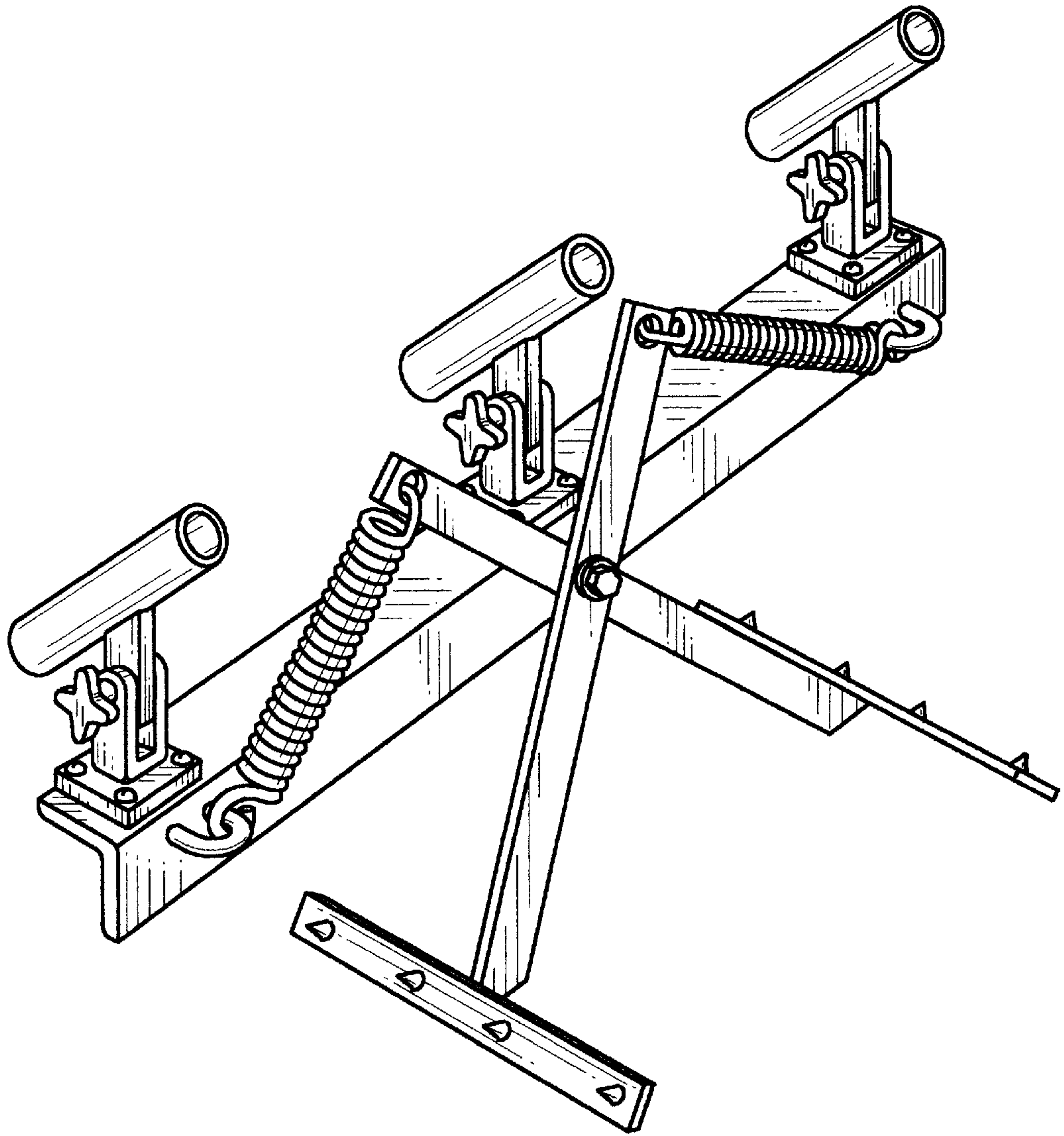


Fig. 1

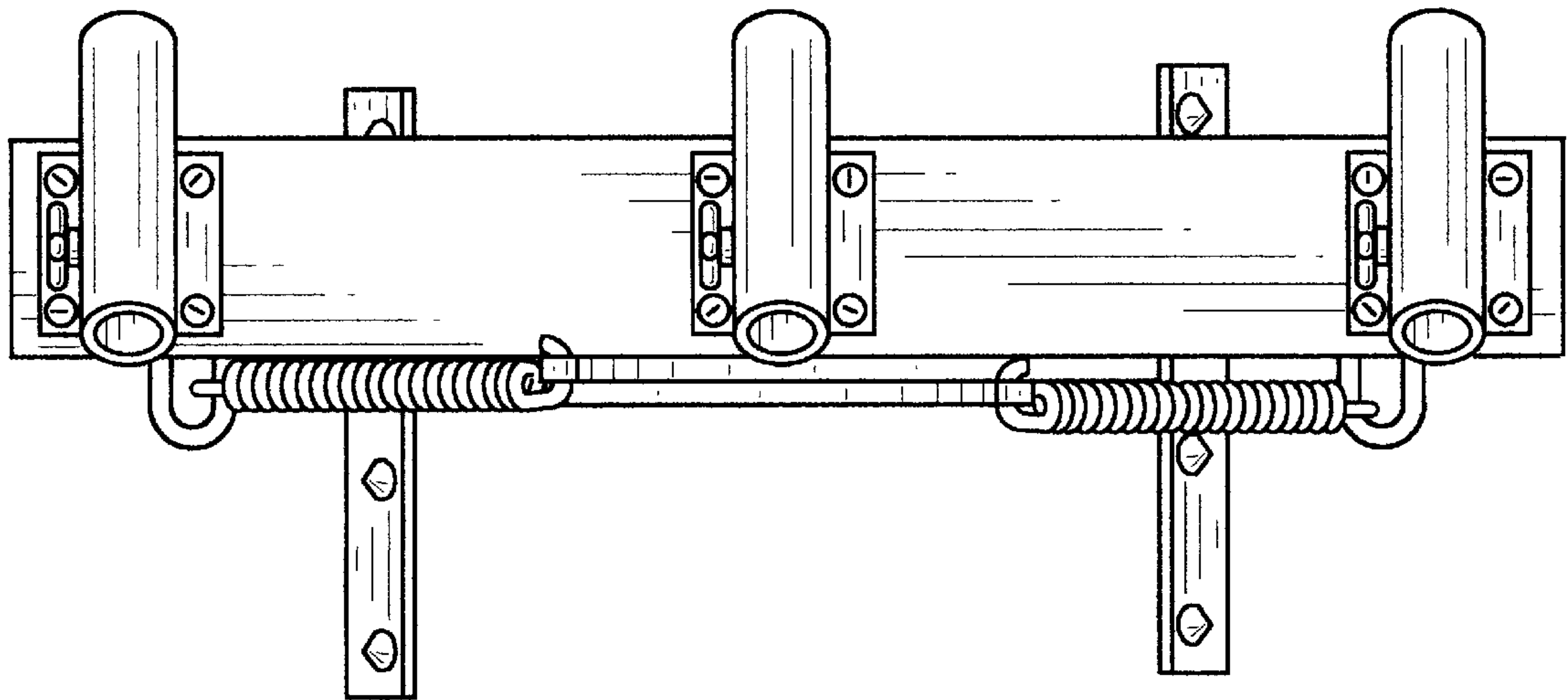


Fig. 2

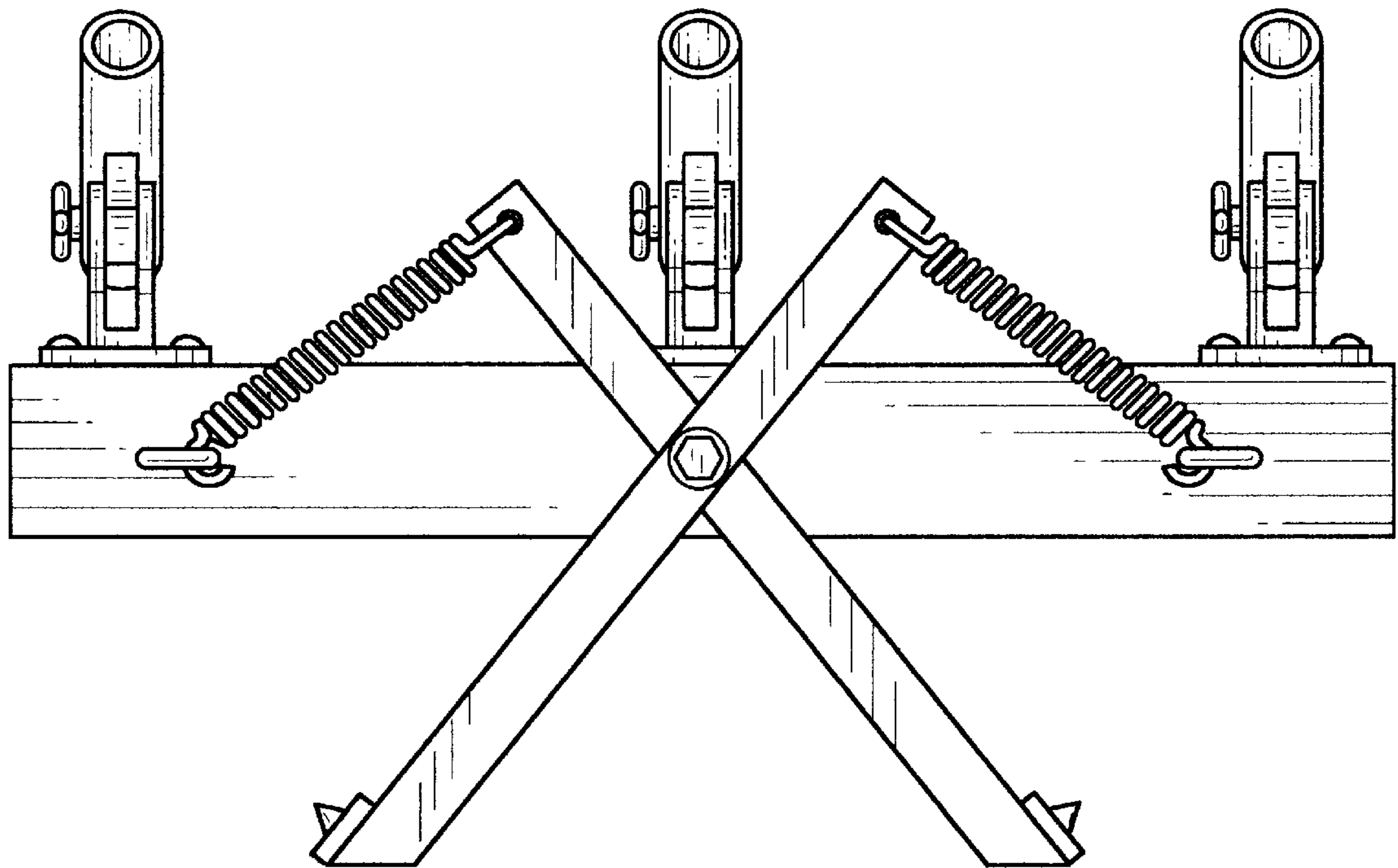


Fig. 3

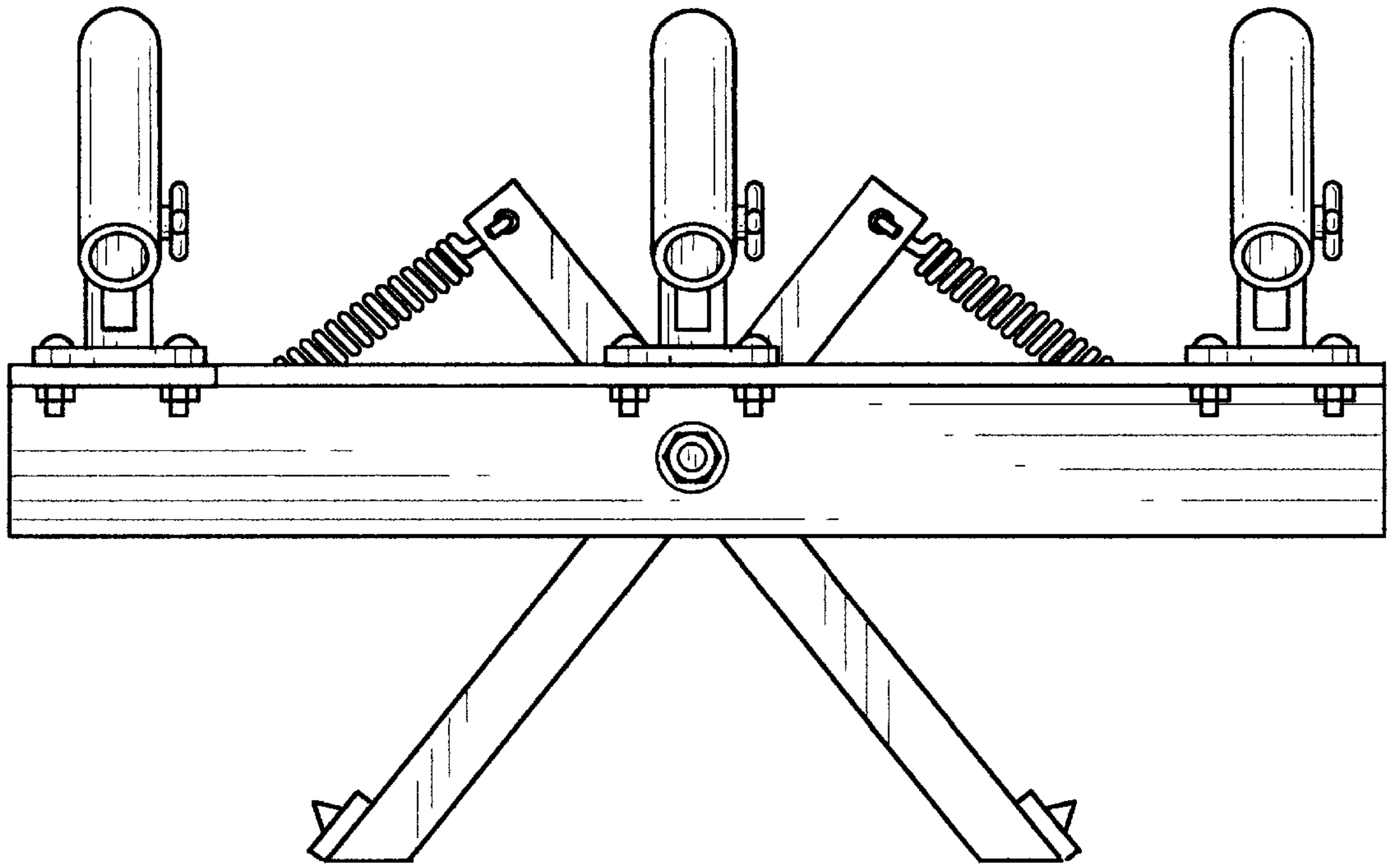


Fig. 4

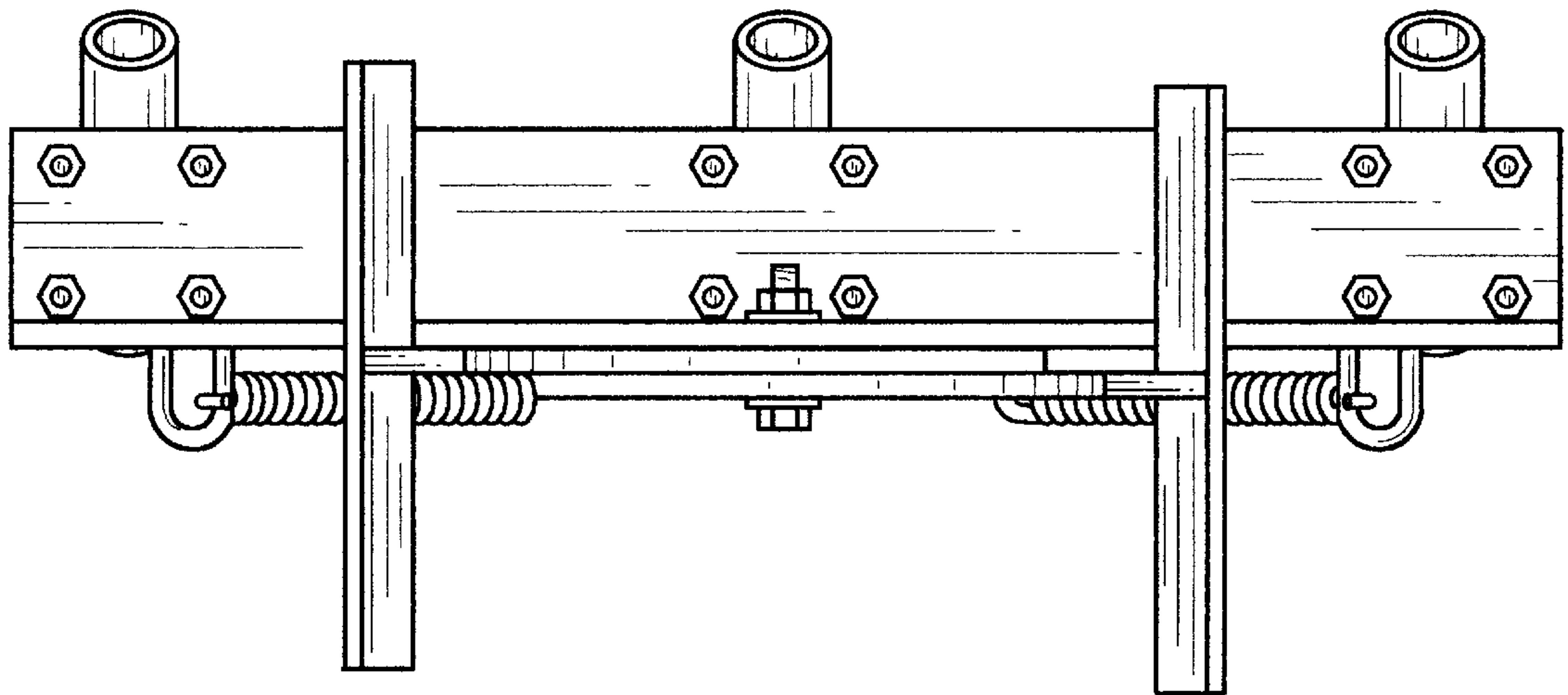


Fig. 5

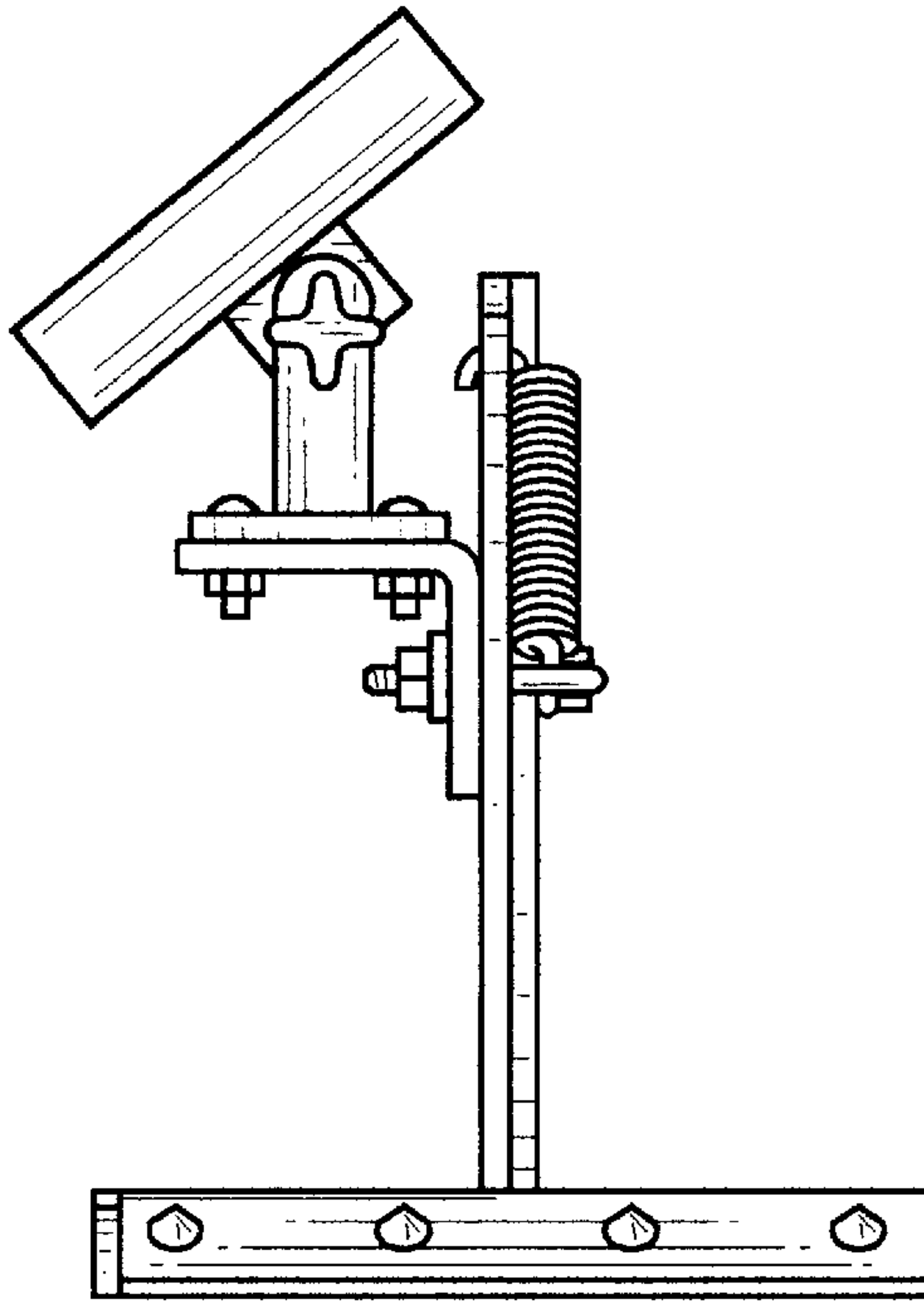


Fig. 6

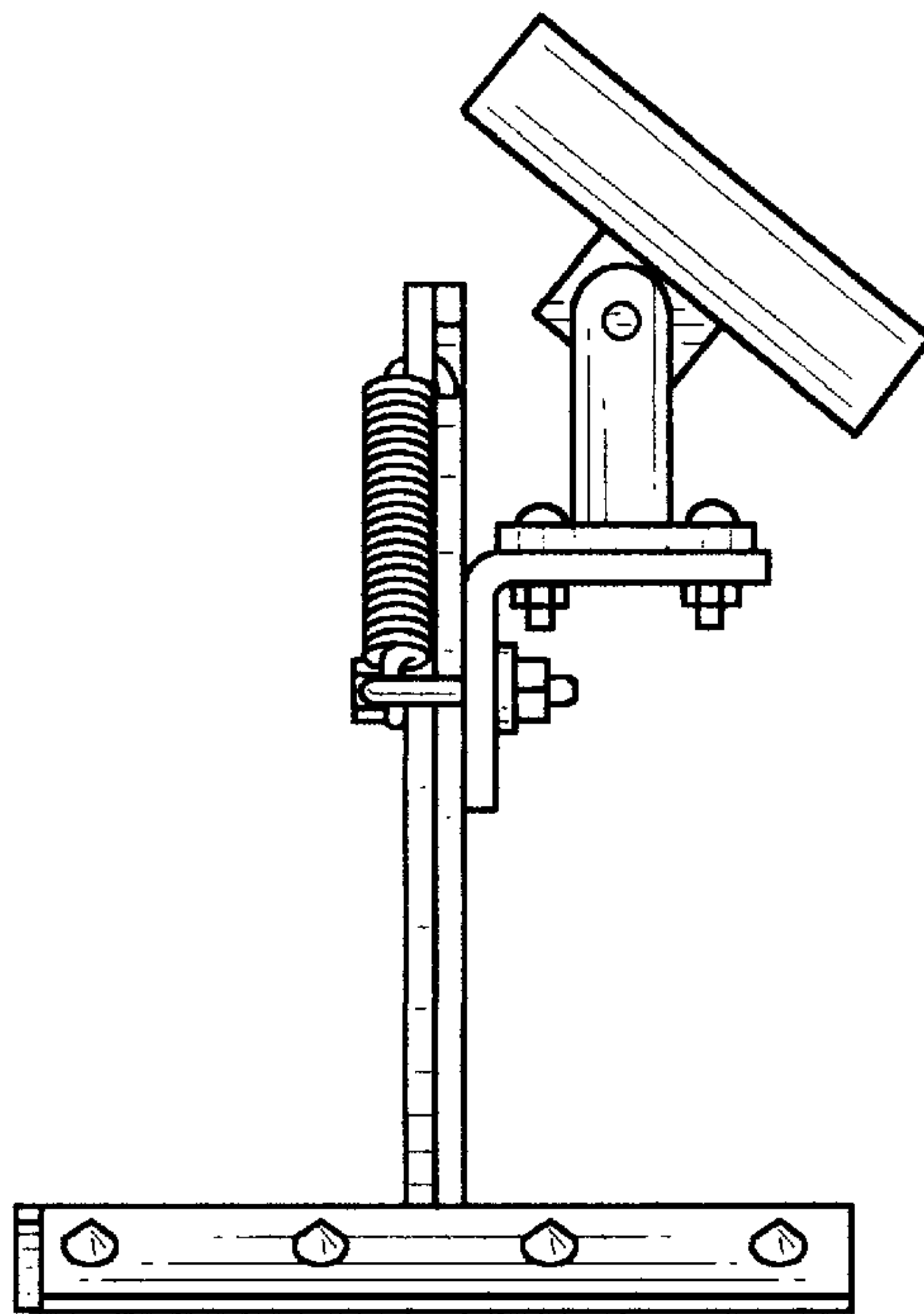


Fig. 7