



US00D414237S

United States Patent [19]

[11] **Patent Number: Des. 414,237**

Kang et al.

[45] **Date of Patent: ** Sep. 21, 1999**

[54] **FISHING REEL**

OTHER PUBLICATIONS

[75] Inventors: **Young Jue Kang**, Tulsa, Okla.; **Jack Robbins**, Derby, Kans.; **Robert Bagby**, Tulsa, Okla.

Best Products Co., Rods and Reels, p. 379, 1972.
Cabela's Feb. 1991 Catalog, Abu Garcia Reels, back cover.
The Prince Georges Journal Weekly/North, Feb. 5-6, 1992, The Sports Authority, A-3.
Cabela's 1993 Spring Catalog, Shimano Reels, p. 20.

[73] Assignee: **Brunswick Corporation**, Tulsa, Okla.

[**] Term: **14 Years**

Primary Examiner—Louis S. Zarfes
Assistant Examiner—Inga-Maria Hyttinen
Attorney, Agent, or Firm—Wood, Phillips, VanSanten, Clark & Mortimer

[21] Appl. No.: **29/093,758**

[22] Filed: **Sep. 17, 1998**

[51] **LOC (6) Cl.** **22-05**

[52] **U.S. Cl.** **D22/141**

[58] **Field of Search** D22/134, 137,
D22/138, 140, 141, 142; 43/4, 18.1, 19,
19.2, 20, 22, 25

[57] CLAIM

The ornamental design for a fishing reel, as shown and described.

[56] References Cited

DESCRIPTION

U.S. PATENT DOCUMENTS

D. 231,224	4/1974	Koenecke	D22/141
D. 300,054	2/1989	Hiraishi et al.	D22/141
D. 316,443	4/1991	Yoshikawa et al.	D22/141
D. 324,092	2/1992	Baugh et al.	D22/141
D. 326,499	5/1992	Nouma	D22/141
D. 331,958	12/1992	Robbins	D22/141
D. 382,040	8/1997	Atherton et al.	D22/141
D. 392,018	3/1998	Robbins	D22/141

FIG. 1 is a top, rear and left side perspective view of a fishing reel showing our new design;
FIG. 2 is a bottom view thereof;
FIG. 3 is a top view thereof.
FIG. 4 is a right side elevation view thereof;
FIG. 5 is a left side elevation view thereof;
FIG. 6 is a rear elevation view thereof; and,
FIG. 7 is a front elevation view thereof.

1 Claim, 4 Drawing Sheets

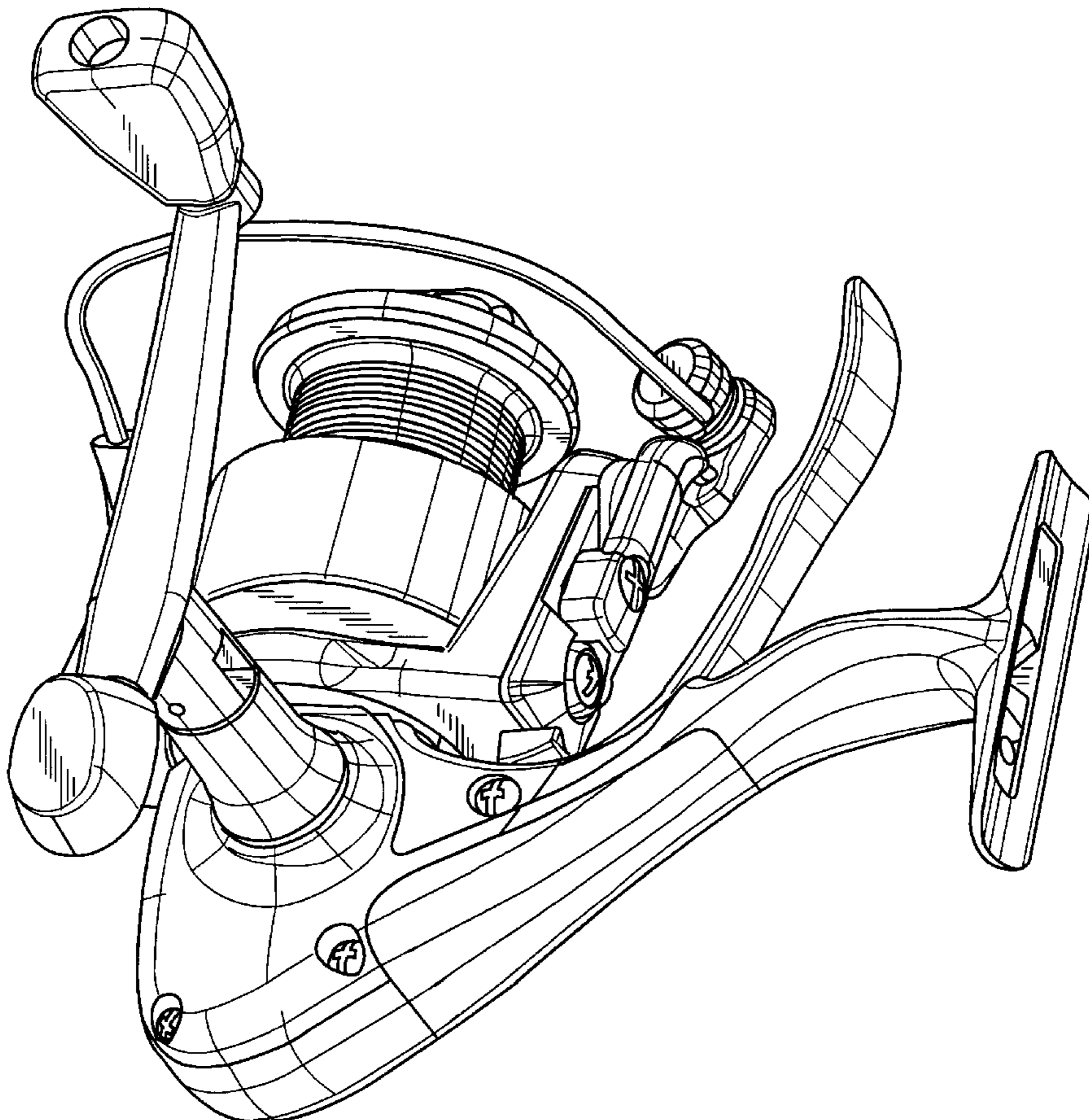


Fig. 1

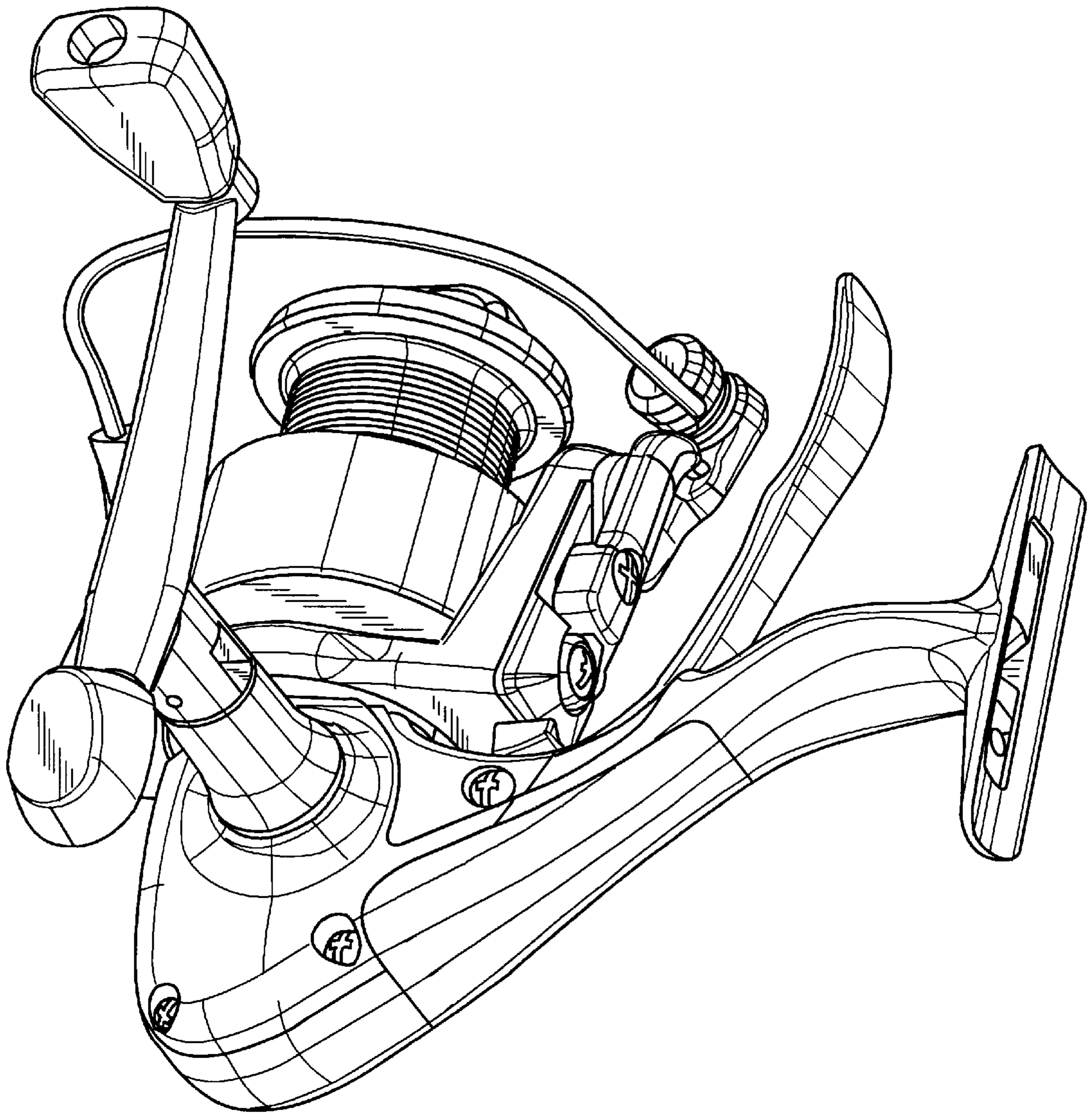


Fig. 2

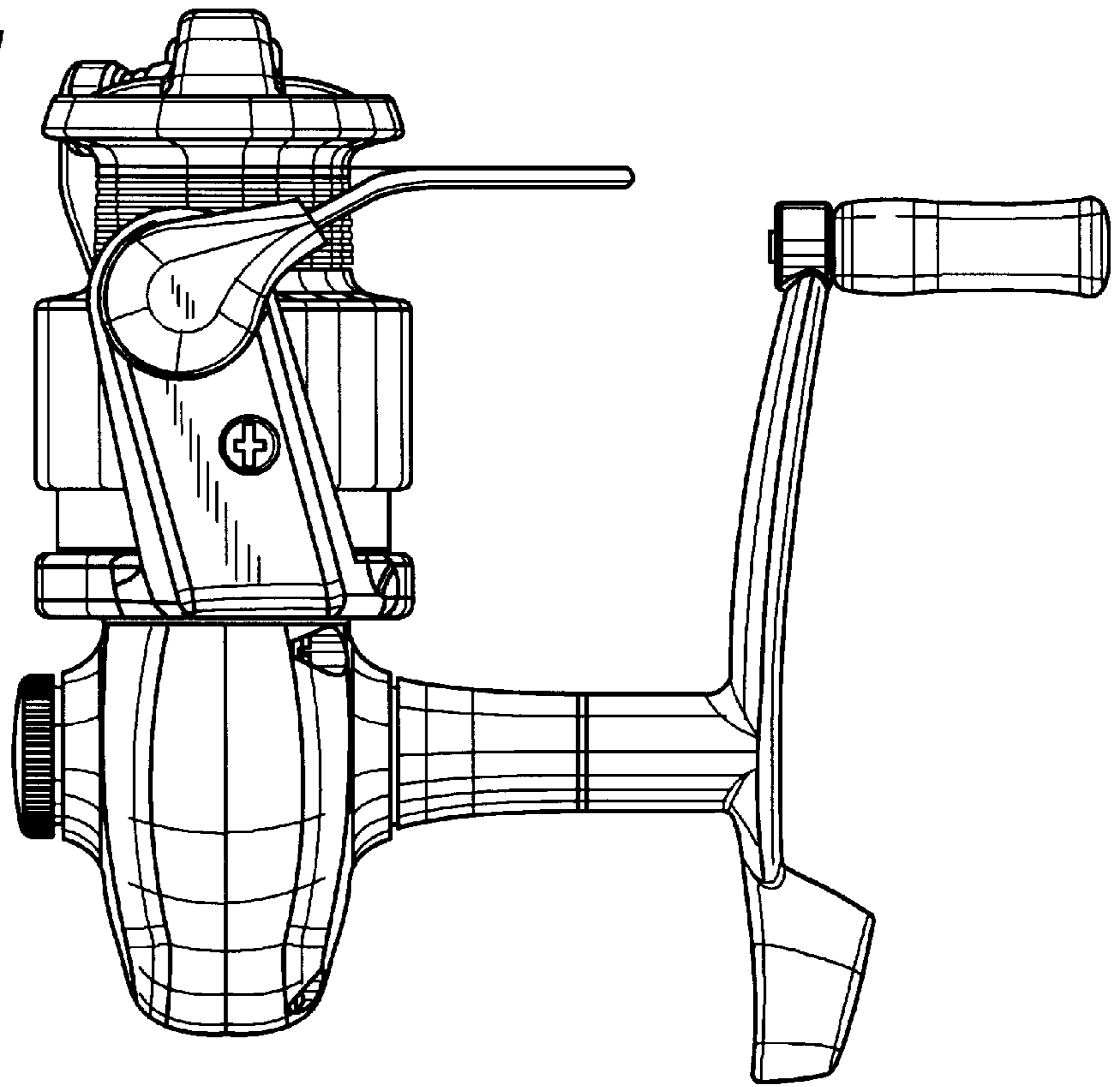


Fig. 3

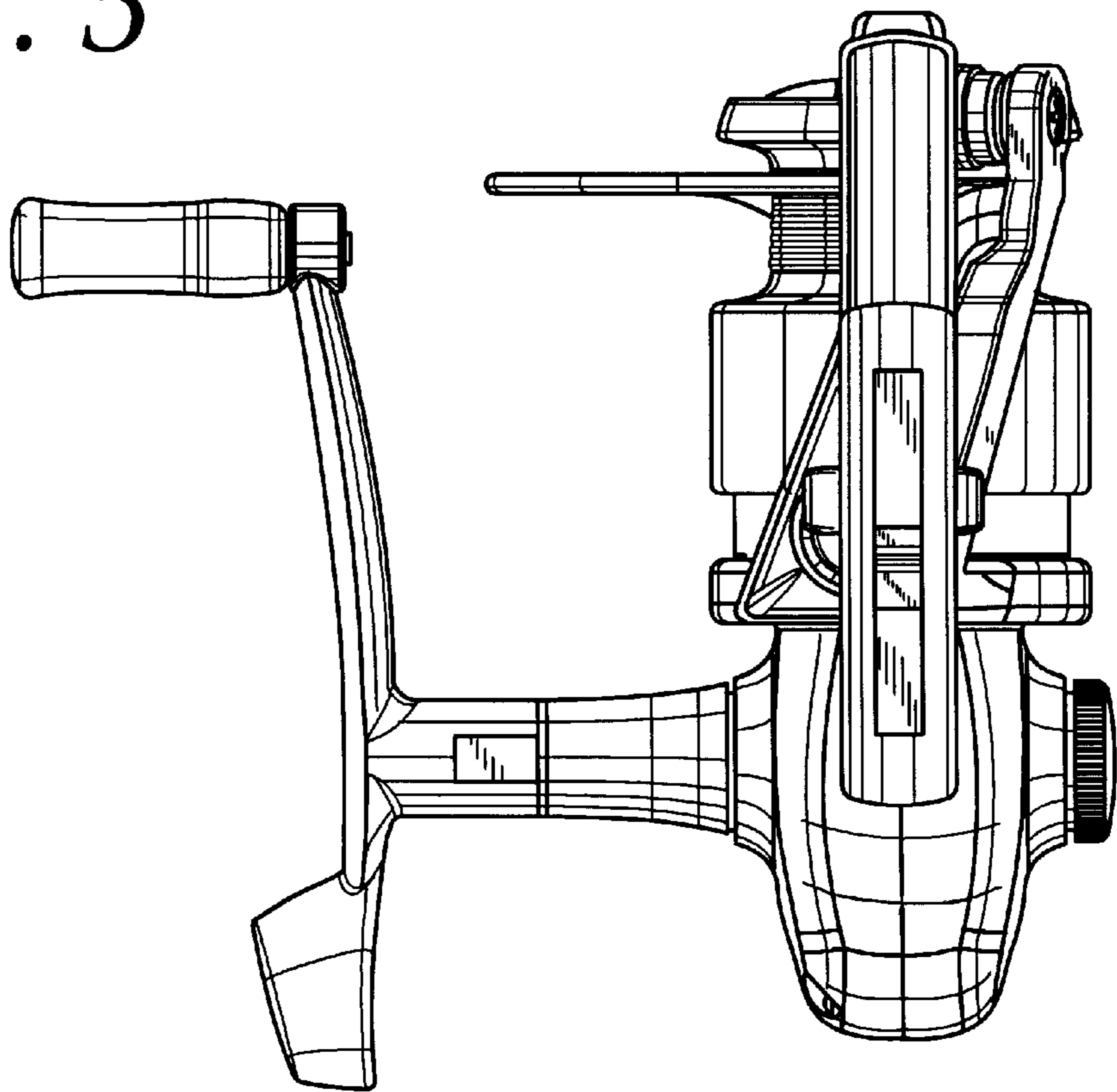


Fig. 4

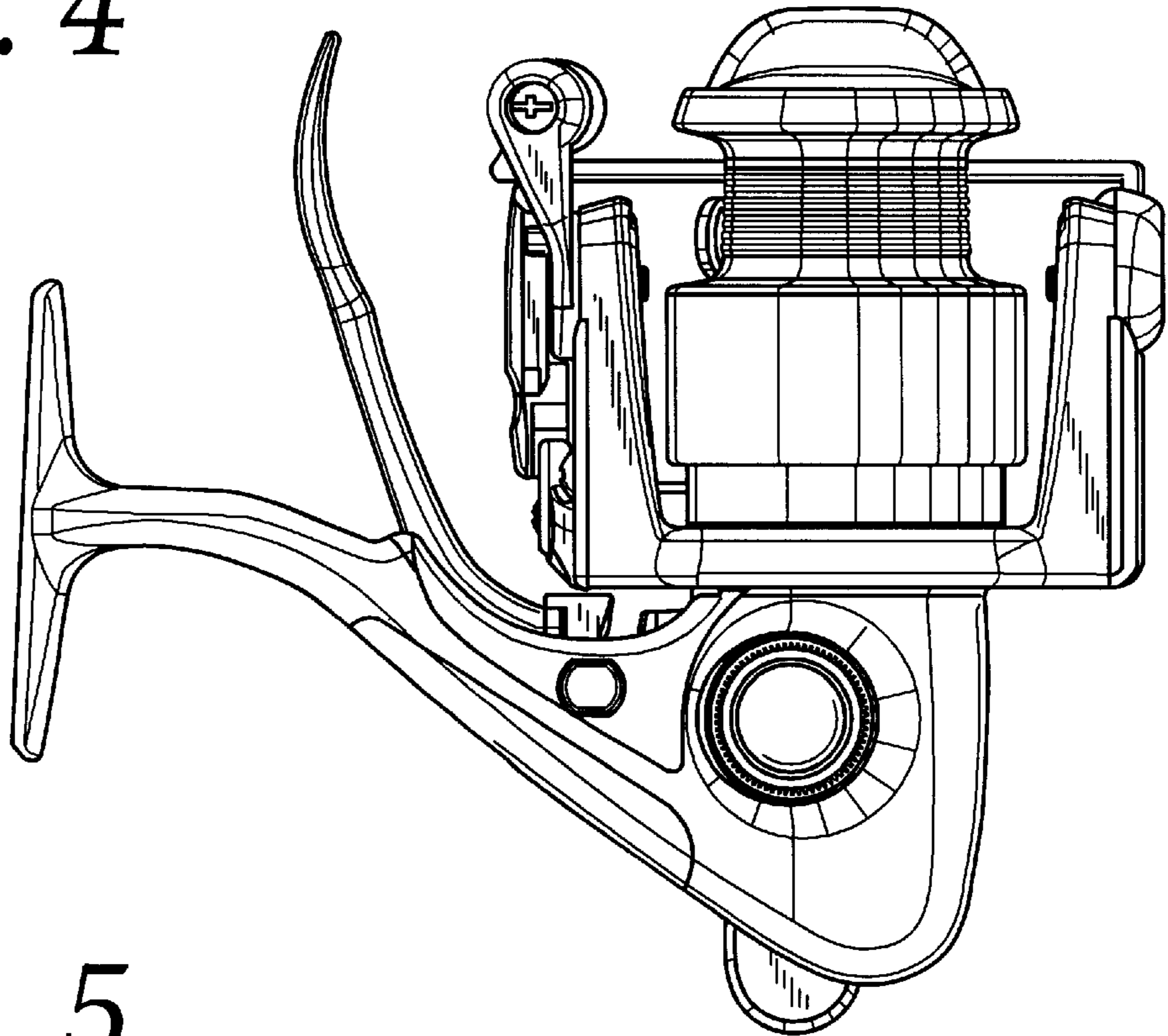


Fig. 5

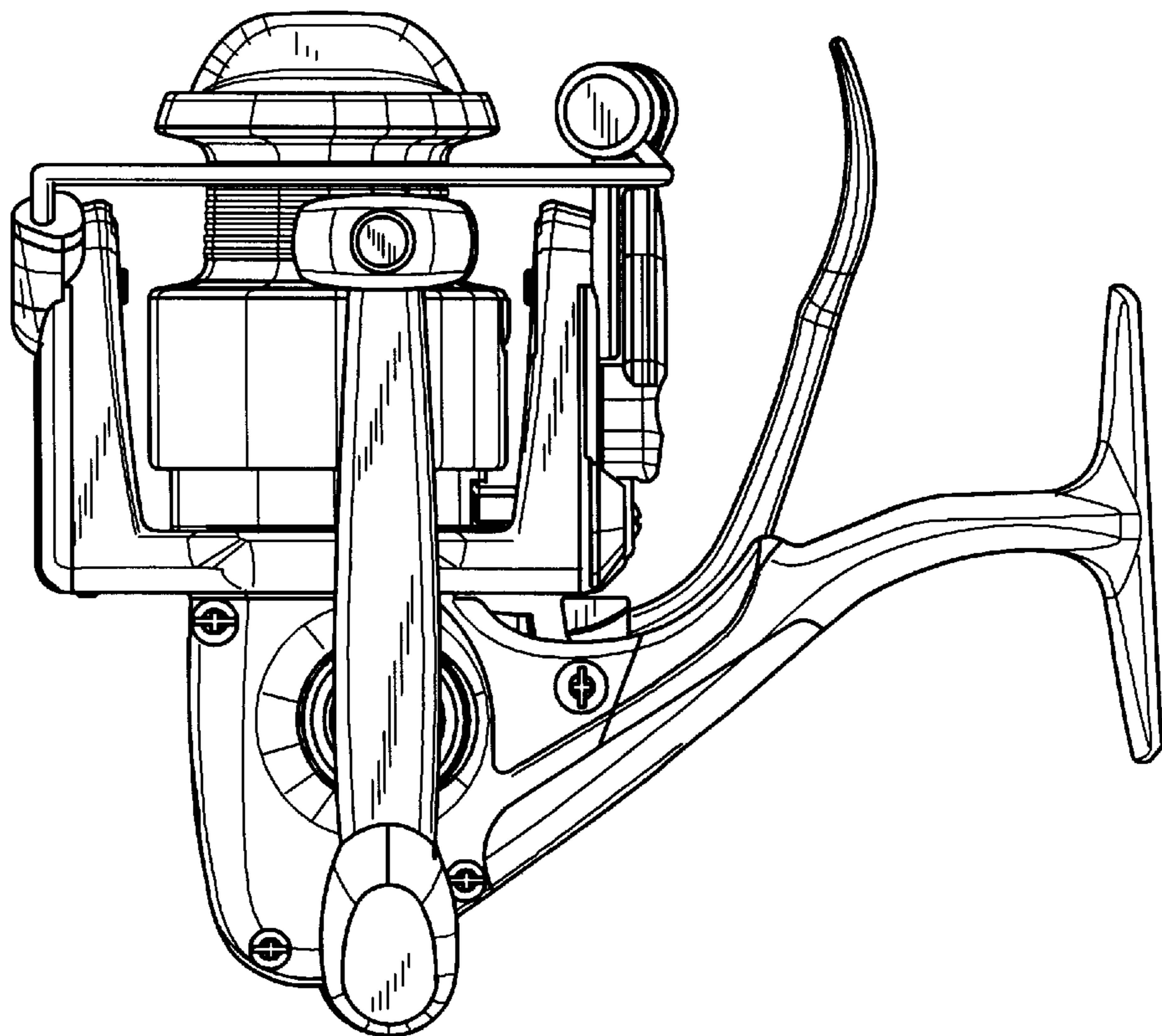


Fig. 6

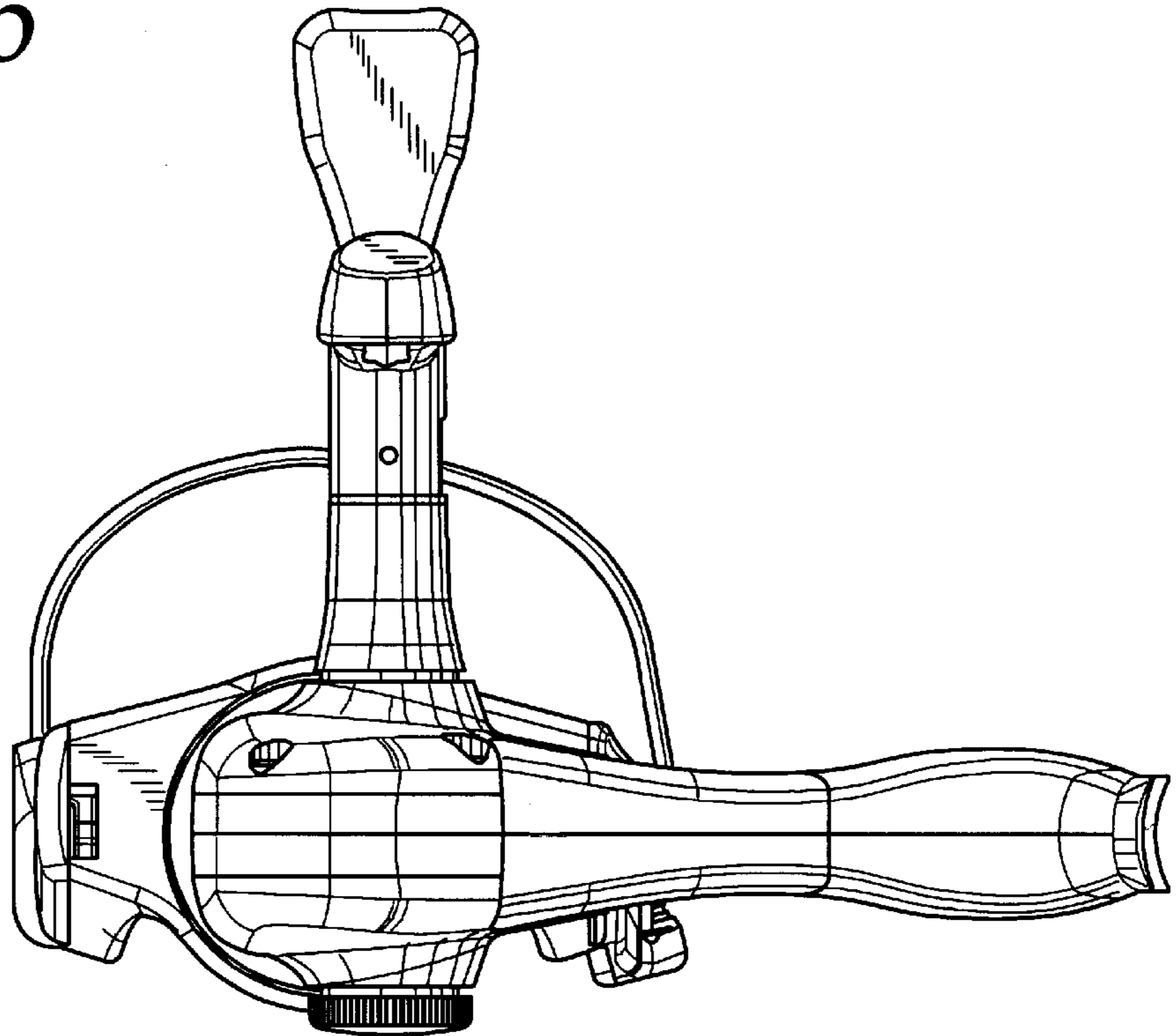


Fig. 7

