



US00D414230S

United States Patent [19]

John et al.

[11] Patent Number: Des. 414,230

[45] Date of Patent: ** Sep. 21, 1999

[54] GAME BALL

4,570,931 2/1986 Martin 473/596
5,588,648 12/1996 Stebbins 473/451

[76] Inventors: Nigel H. John, 115-46 209th St.,
Cambria Heights, N.Y. 11411; S.
Michael Bender, 2837 Skimmer Pt Dr.
S., Gulfport, Fla. 33707

Primary Examiner—Ted Shooman
Assistant Examiner—Richelle Shelton

[**] Term: 14 Years

[57] CLAIM

The ornamental design for a game ball, as shown and described.

[21] Appl. No.: 29/092,216

[22] Filed: Aug. 14, 1998

DESCRIPTION

[51] LOC (6) Cl. 21-02

[52] U.S. Cl. D21/713; D21/709

[58] Field of Search D21/707-709,
D21/713; 473/596, 604, 378-385, 127,
128, 200, 569, 451; 273/146

FIG. 1 is a front elevational view of the game ball showing our new design;
FIG. 2 is a rear elevational view thereof;
FIG. 3 is a left side elevational view thereof;
FIG. 4 is a right side elevational view thereof;
FIG. 5 is a top plan view thereof;
FIG. 6 is a bottom plan view thereof; and,
FIG. 7 is an enlarged detailed view of a fragment of the game ball shown in FIG. 6 showing the fingertip-receiving-depressions in the surface of the game ball.

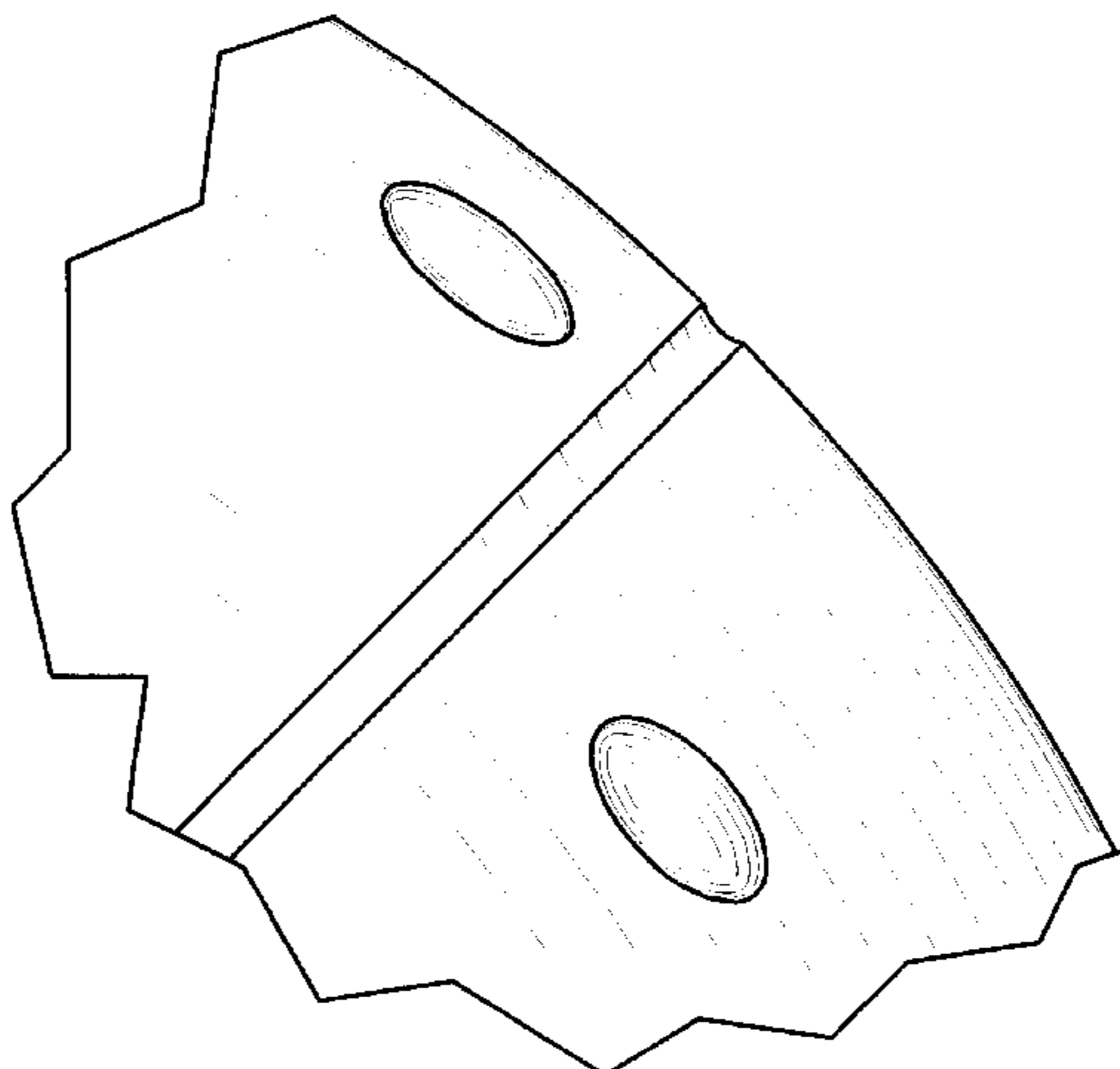
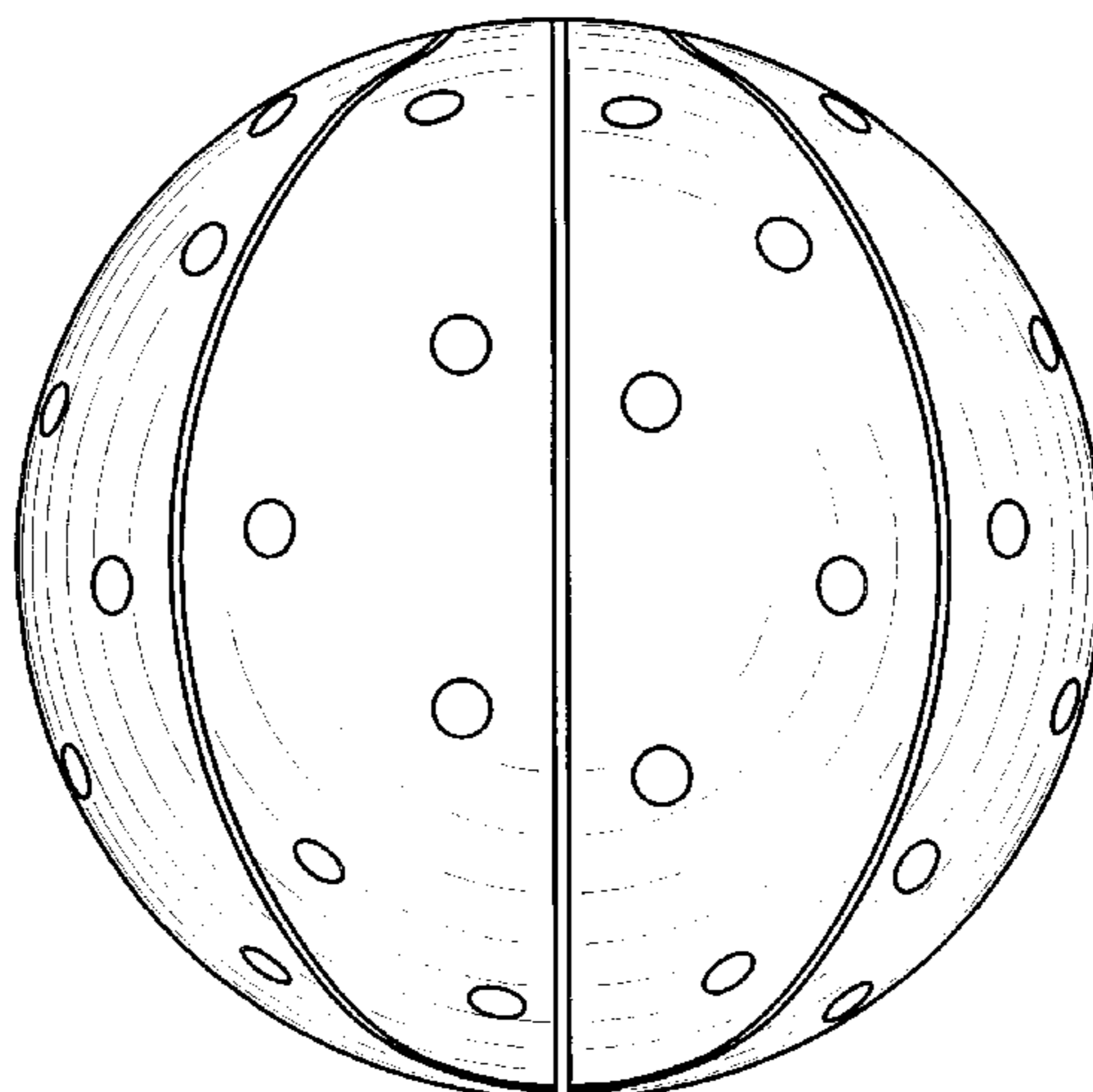
[56] References Cited

U.S. PATENT DOCUMENTS

D. 248,986	8/1978	Nakata	D21/713
D. 365,862	1/1996	Shishido et al.	D21/713
D. 393,672	4/1998	Clay	D21/713
1,482,232	1/1924	Hazeltine	473/378 X
1,664,397	4/1928	Bens	473/200
2,263,052	11/1941	Ross	473/128

In FIGS. 1-6, the circles represent fingertip-receiving-depressions in the surface of the game ball, an enlargement of which is depicted in FIG. 7.

1 Claim, 3 Drawing Sheets



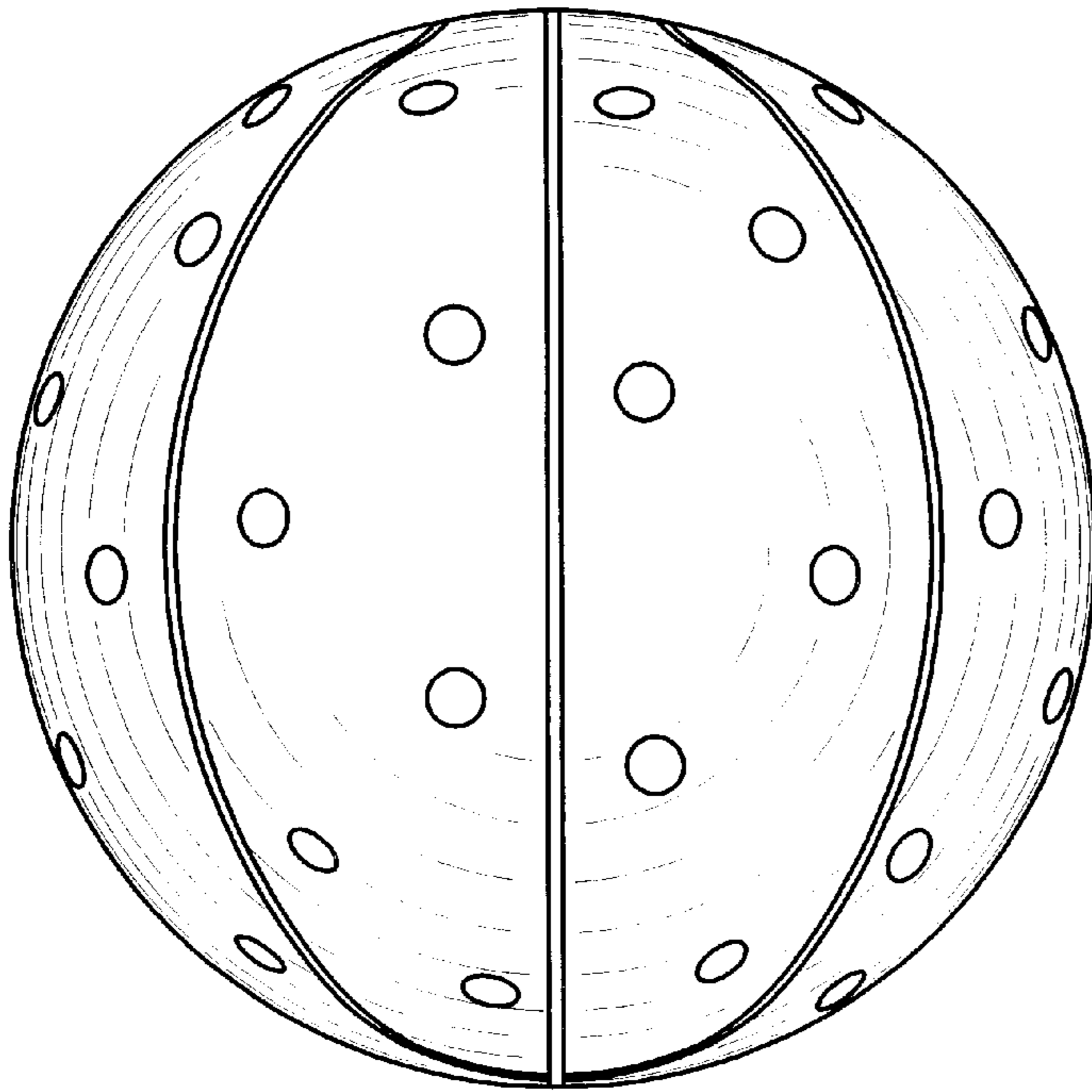


FIG. 1

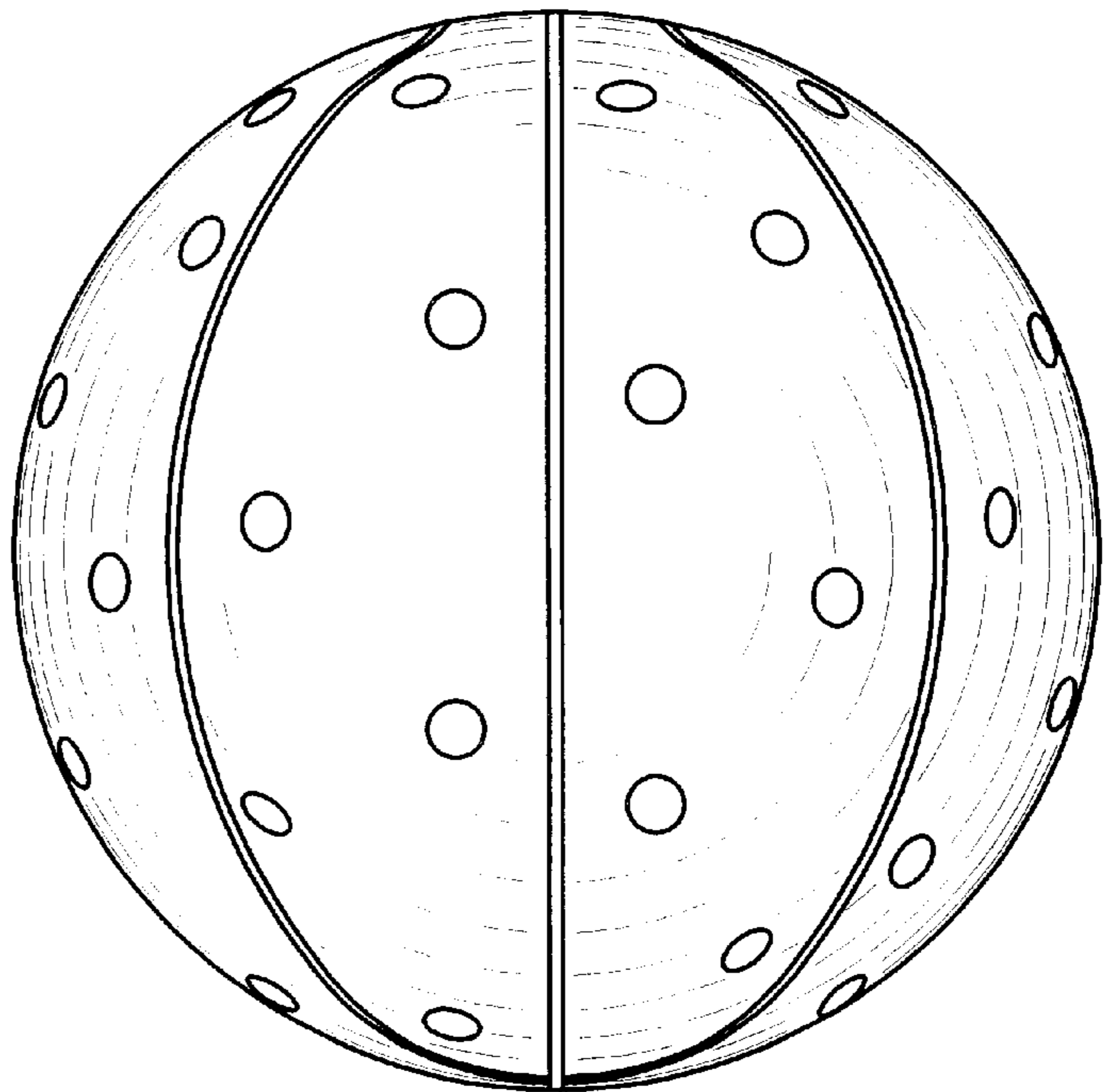


FIG. 2

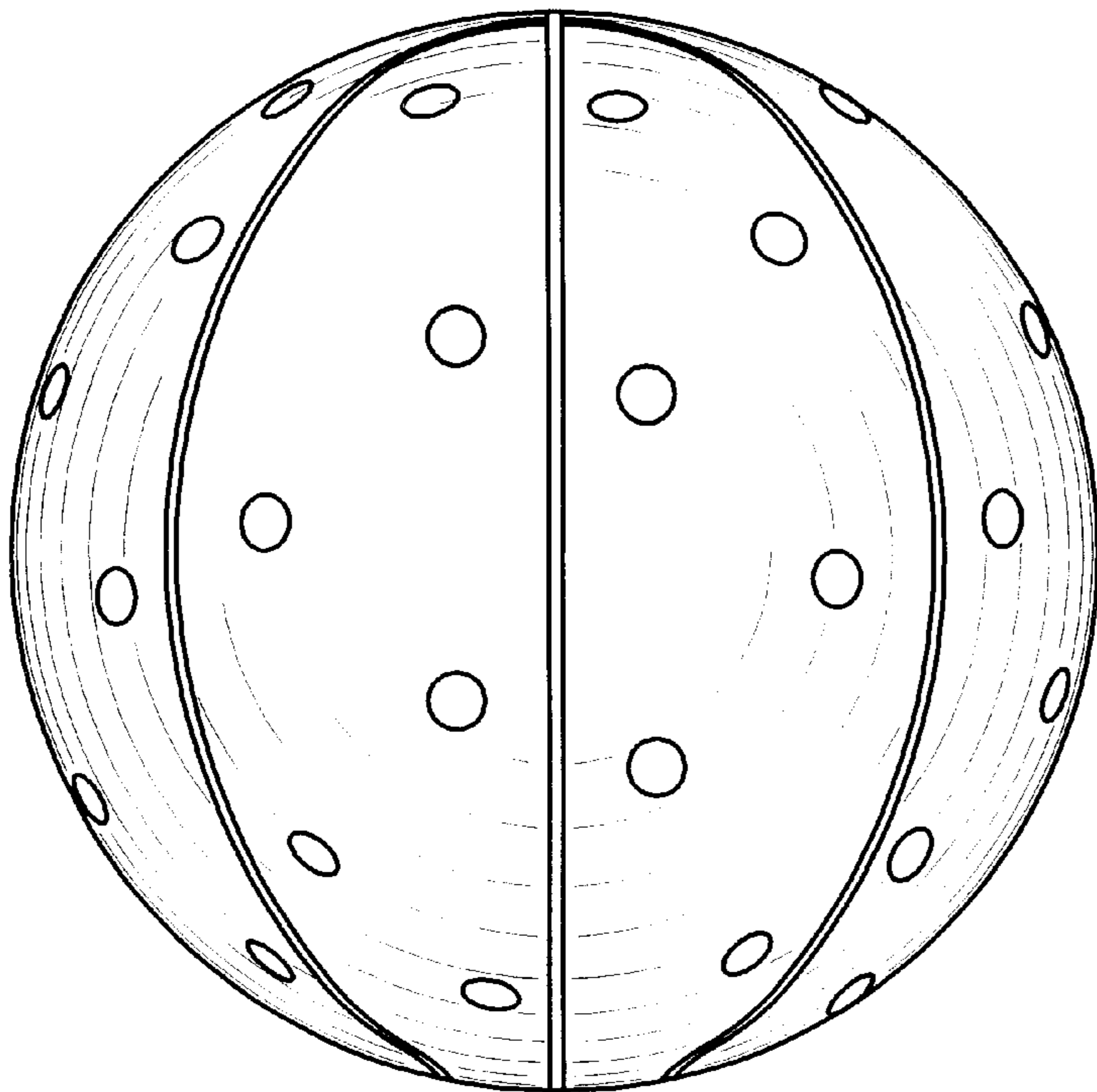


FIG. 3

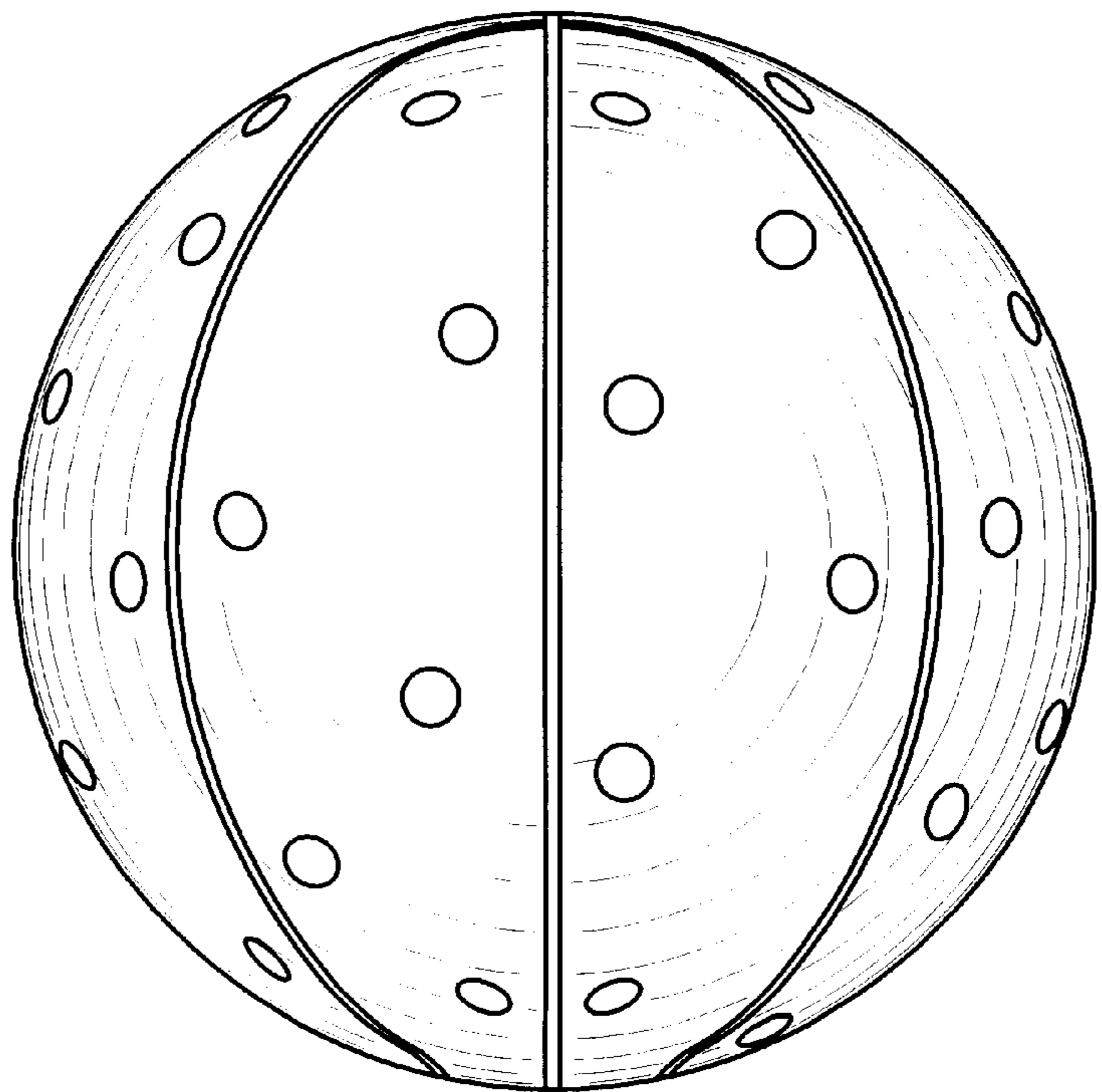


FIG. 4

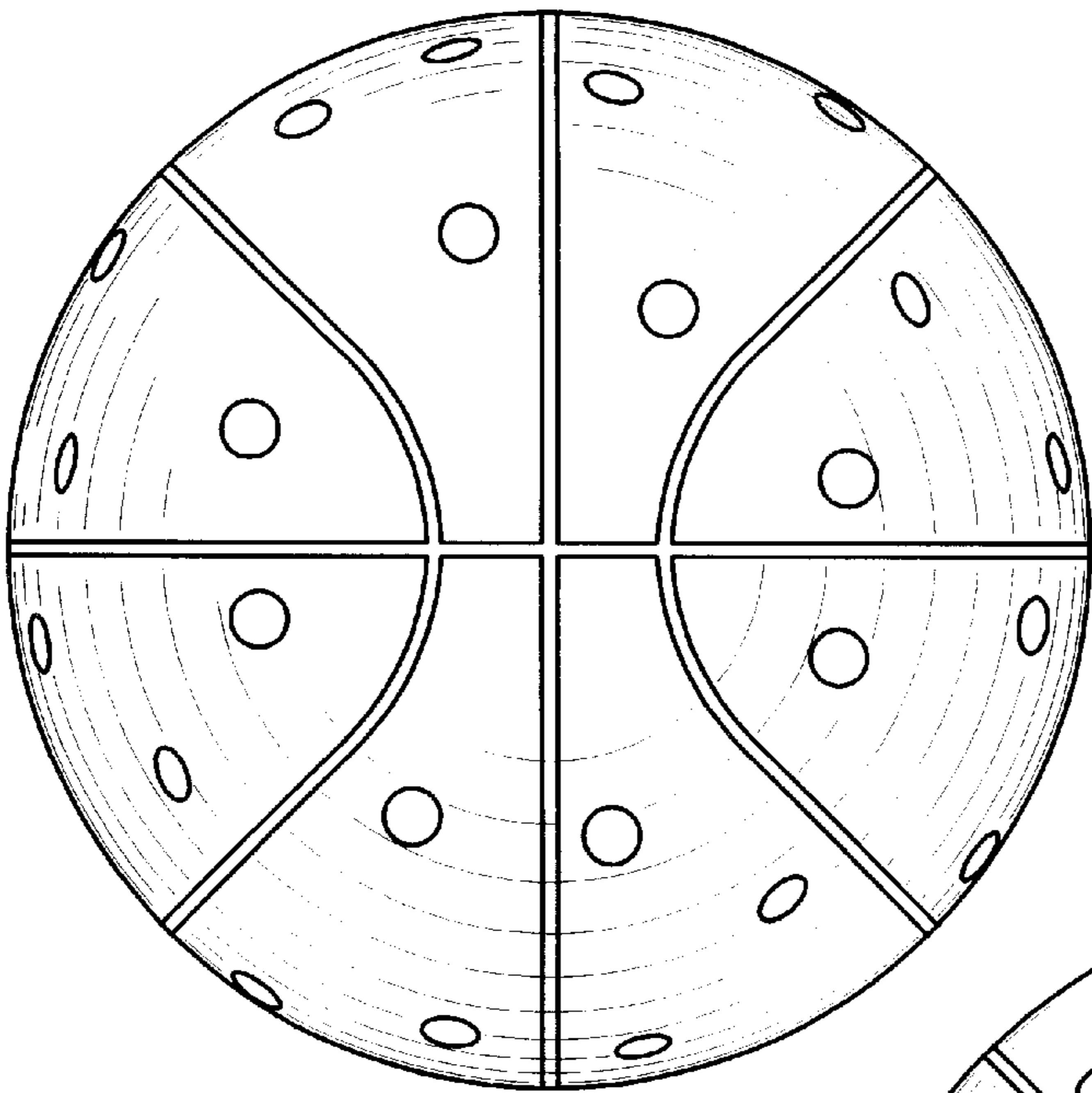


FIG. 5

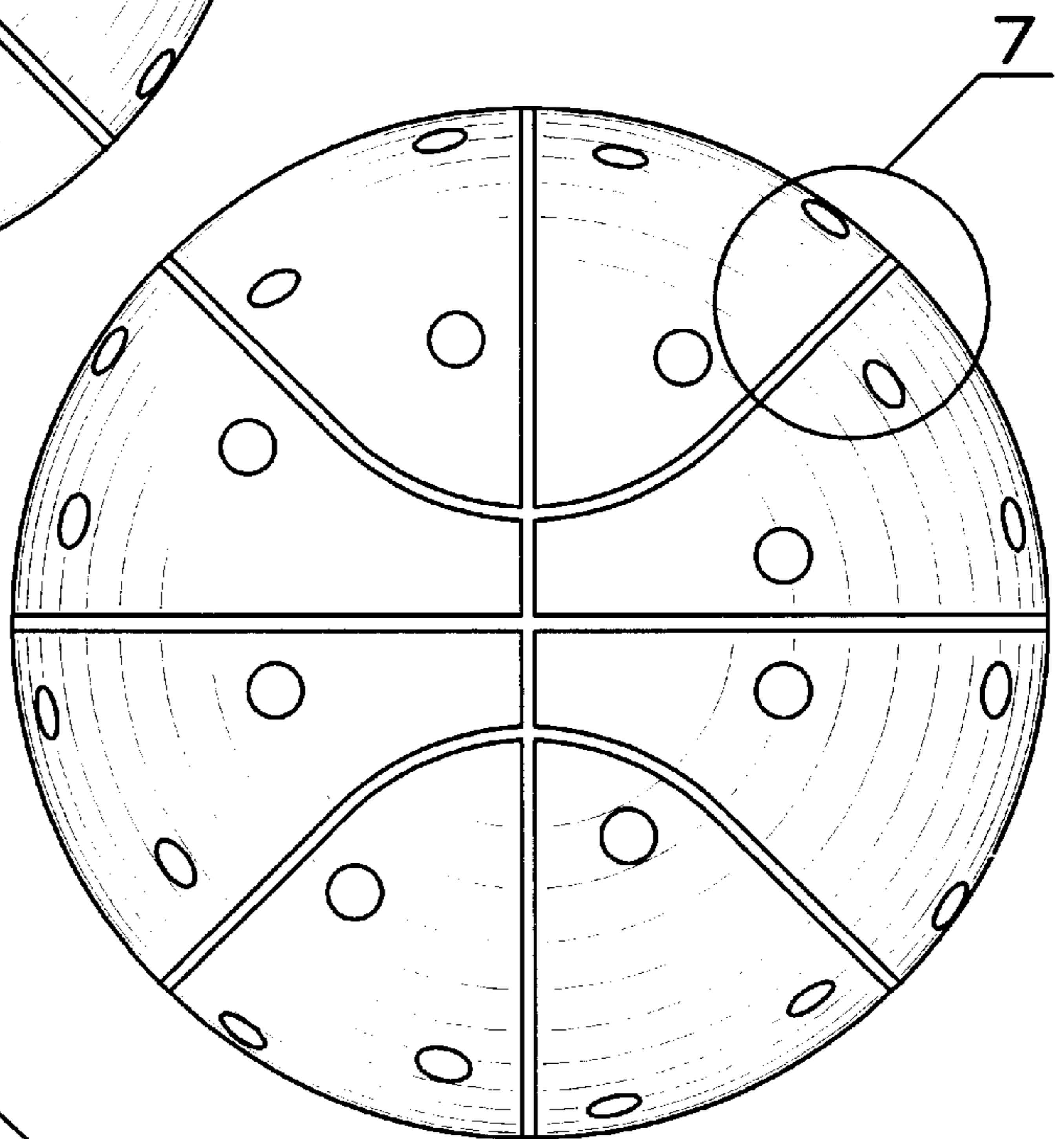


FIG. 6

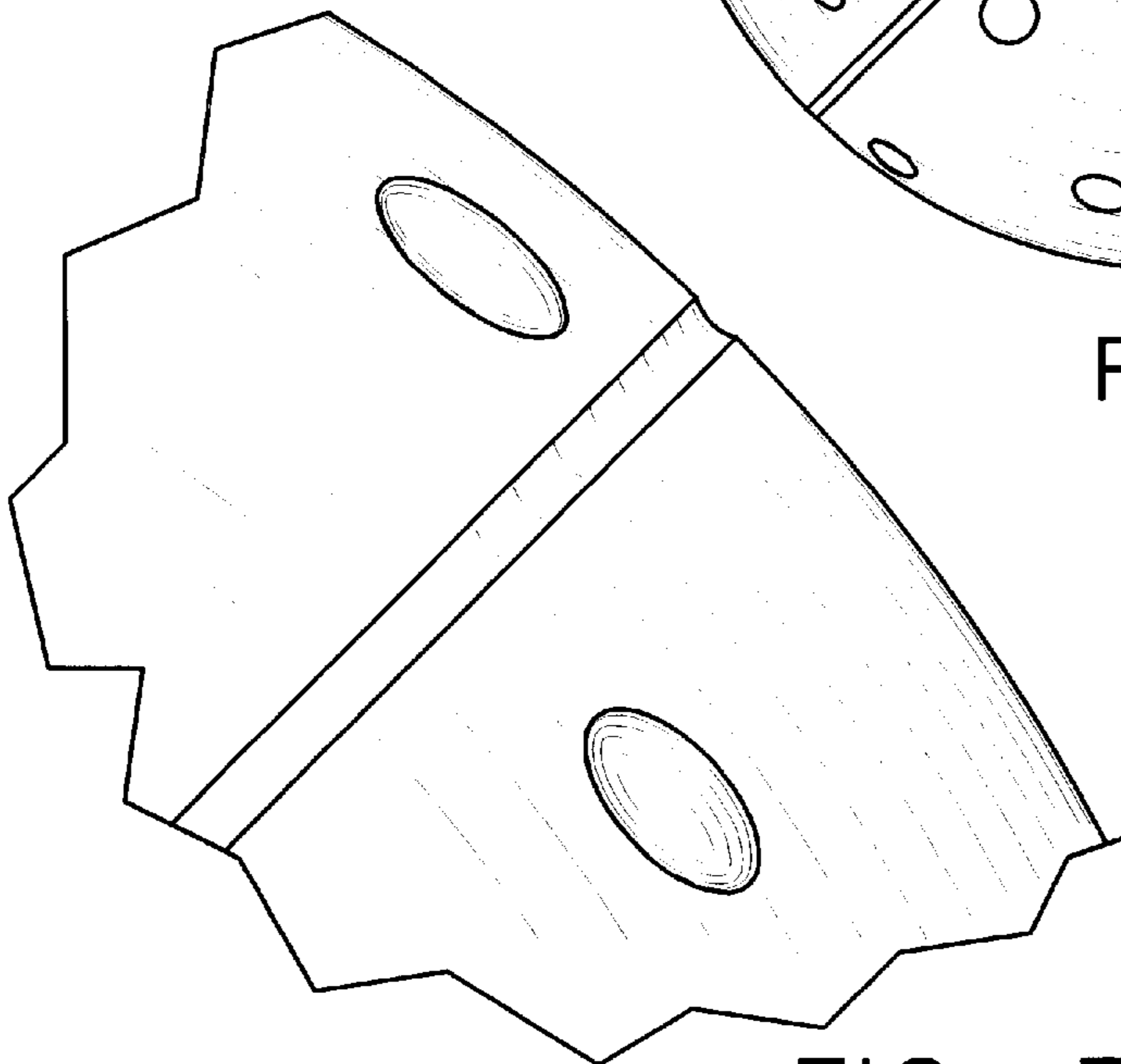


FIG. 7