



US00D414228S

United States Patent [19] Zwonitzer

[11] **Patent Number: Des. 414,228**

[45] **Date of Patent: ** Sep. 21, 1999**

[54] **REMOVABLE VARIABLE RESISTANCE DISK FOR AN EXERCISE DEVICE**

5,358,461 10/1994 Bailey, Jr. 482/2
5,509,873 4/1996 Corn 482/124

[75] Inventor: **Steve J. Zwonitzer**, Atlanta, Ga.

[73] Assignee: **Joshua A. Corn**, Ann Arbor, Mich.

[**] Term: **14 Years**

[21] Appl. No.: **29/088,888**

[22] Filed: **Jun. 3, 1998**

OTHER PUBLICATIONS

Richard D. Blomberg et al, *Conspicuity for Pedestrians and Bicyclists*; Definition of the problem, development and test of counter measures; pp. 1-4, 18.

Primary Examiner—Philip S. Hyder
Attorney, Agent, or Firm—Young & Basile, P.C.

[57] CLAIM

The ornamental design for a removable variable resistance disk for an exercise device, as shown and described.

Related U.S. Application Data

[62] Division of application No. 29/060,368, Sep. 27, 1996, Pat. No. Des. 399,272.

[51] **LOC (6) Cl.** **21-02**

[52] **U.S. Cl.** **D21/694**

[58] **Field of Search** D21/662, 684,
D21/692; 482/121, 122, 124, 126, 118,
120

DESCRIPTION

The ornamental design is related to copending U.S. patent application Ser. No. 08/618,525 filed on Mar. 19, 1996 which is incorporated herein by reference in its entirety.

FIG. 1 is a front elevational view of the ornamental design constituting my invention of a removable variable resistance disk for an exercise device;

FIG. 2 is a rear elevational view embodying the ornamental design constituting my invention of a removable variable resistance disk for an exercise device;

FIG. 3 is a first end view of the ornamental design constituting my invention of a removable variable resistance disk for an exercise device corresponding to looking in an upwardly direction from the bottom of FIG. 1;

FIG. 4 is a side view of the ornamental design constituting my invention of a removable variable resistance disk for an exercise device corresponding to looking in a leftward direction from the right hand side of FIG. 3;

FIG. 5 is a second end view of the ornamental design constituting my invention of a removable variable resistance disk for an exercise device corresponding to looking in a downwardly direction from the top of FIG. 1; and,

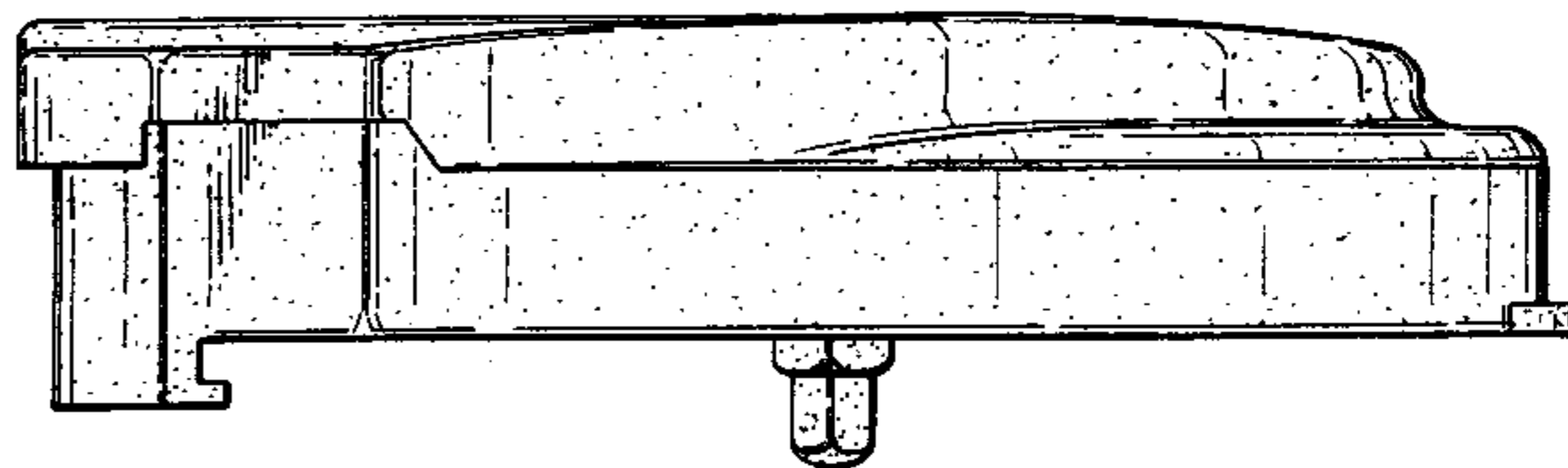
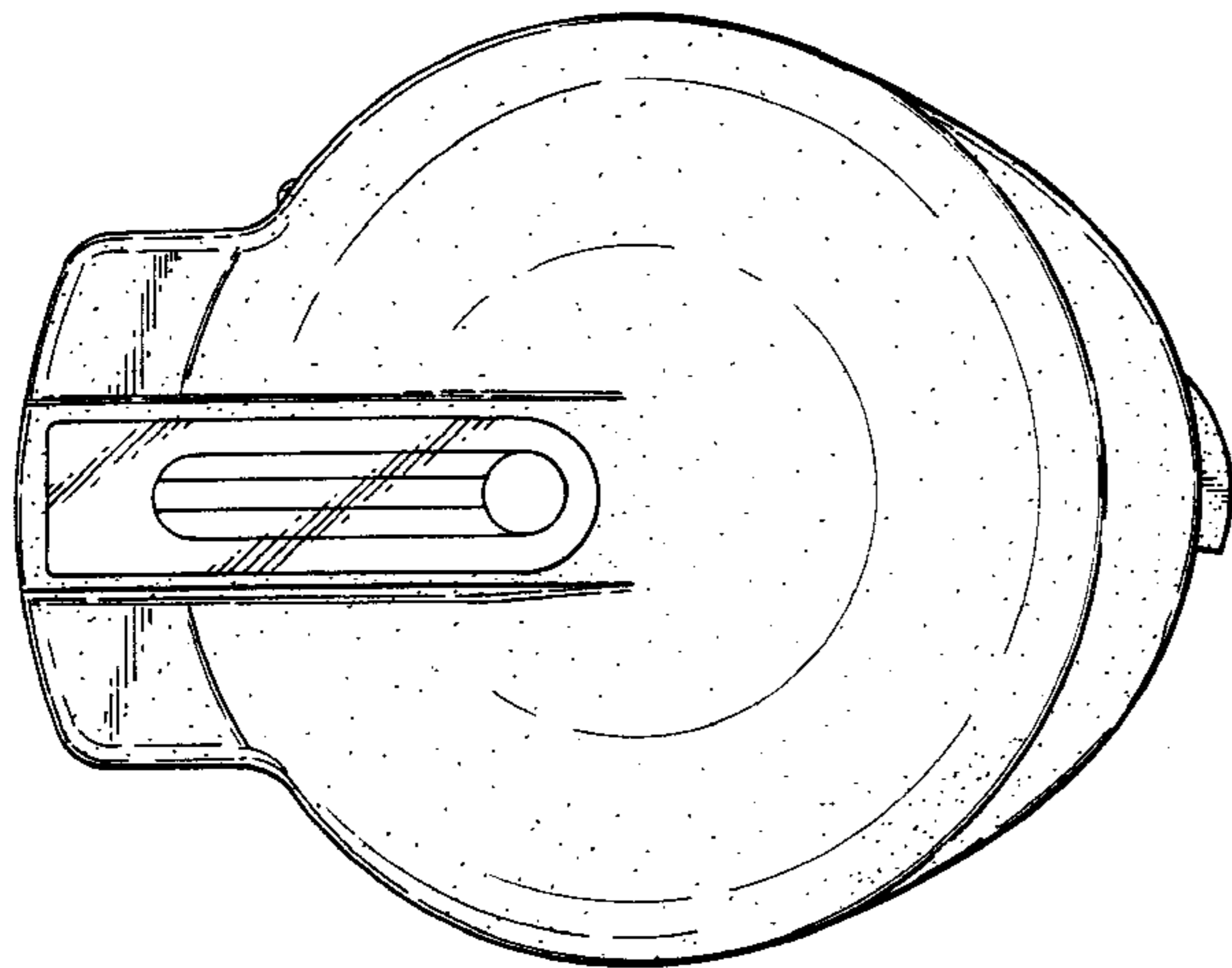
FIG. 6 is a side view of the ornamental design constituting my invention of a removable variable resistance disk for an exercise device corresponding to looking in a rightward direction from the left side of FIG. 3.

[56] References Cited

U.S. PATENT DOCUMENTS

D. 347,667	6/1994	Giacalore et al.	D21/121
D. 350,795	9/1994	Barbour	D21/121
D. 359,324	6/1995	Phegley	D21/121
D. 378,305	3/1997	Tolleson	D21/191
D. 390,896	2/1998	Stalmaker	D21/662
481,730	8/1892	Miller .	
1,139,126	5/1915	Kerns .	
1,432,013	10/1922	Blake .	
1,703,375	2/1929	Volk .	
2,959,414	11/1960	Saltz .	
3,462,156	8/1969	Gentry .	
3,804,420	4/1974	Boyd .	
4,441,707	4/1984	Bosch .	
4,779,866	10/1988	Marshall et al. .	
4,944,511	7/1990	Francis .	
4,948,119	8/1990	Robertson, Jr. .	
4,961,573	10/1990	Wehrell .	
5,005,832	4/1991	VanderHorven .	
5,137,272	8/1992	Wilkinson	482/120
5,176,377	1/1993	Wilkinson	482/124

1 Claim, 2 Drawing Sheets



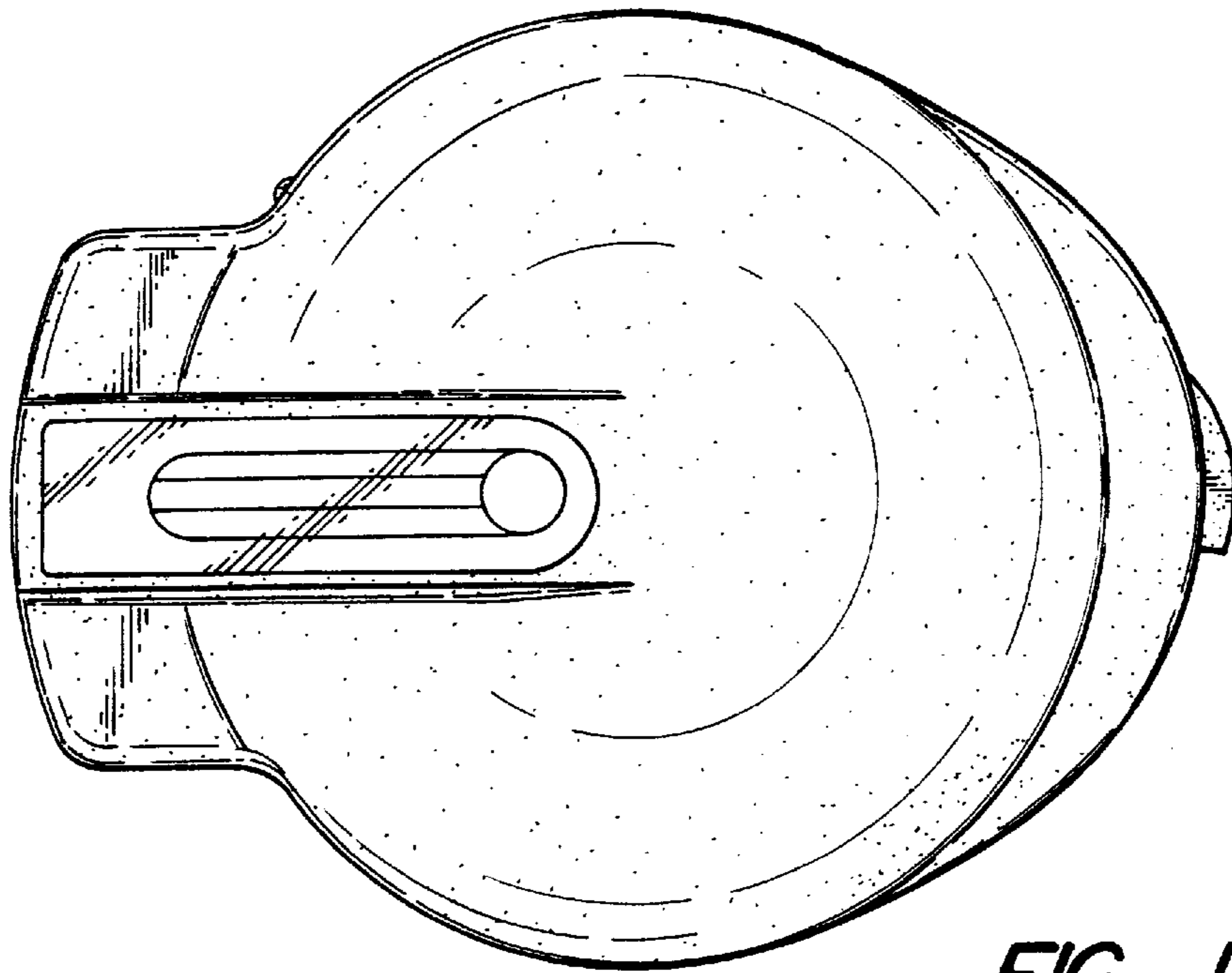


FIG-1

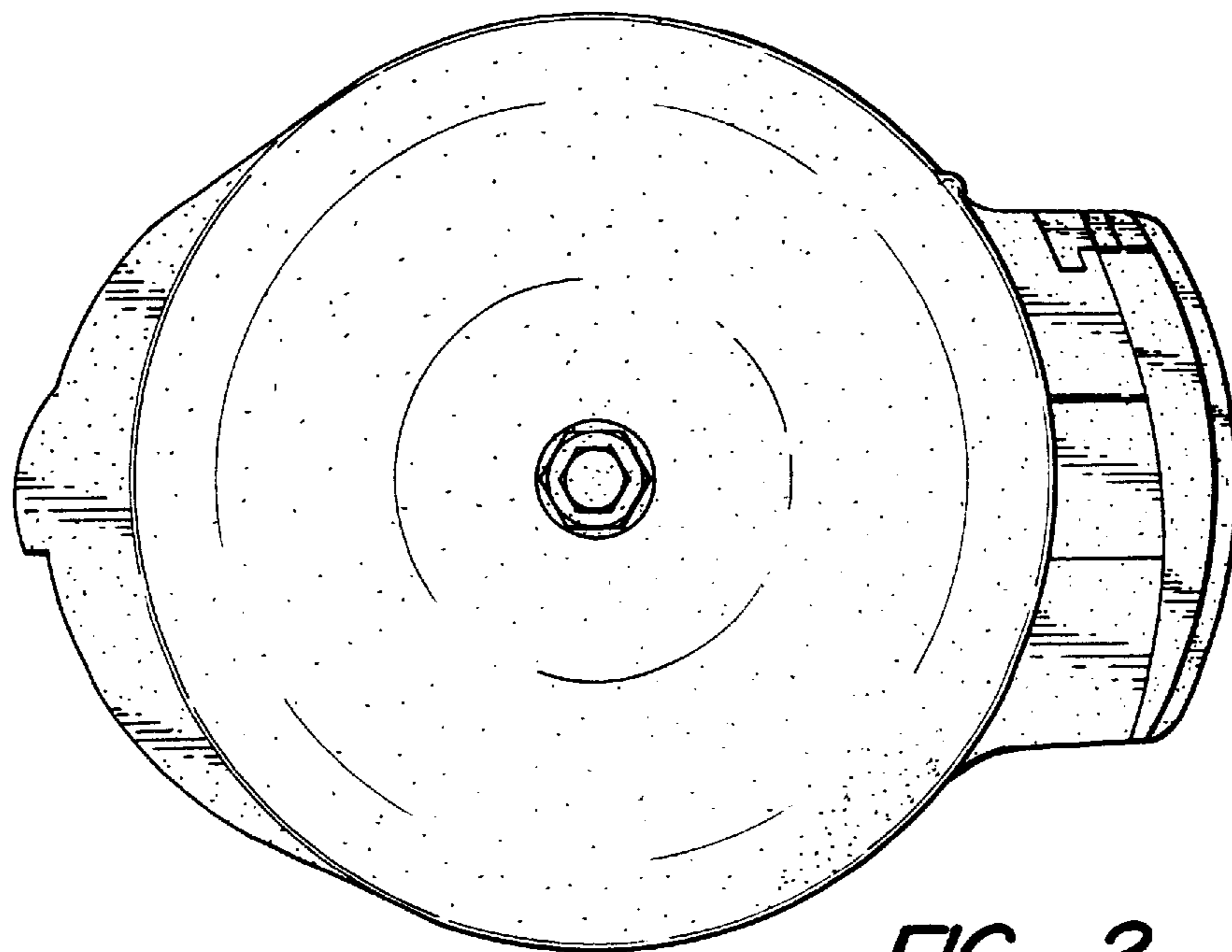


FIG-2

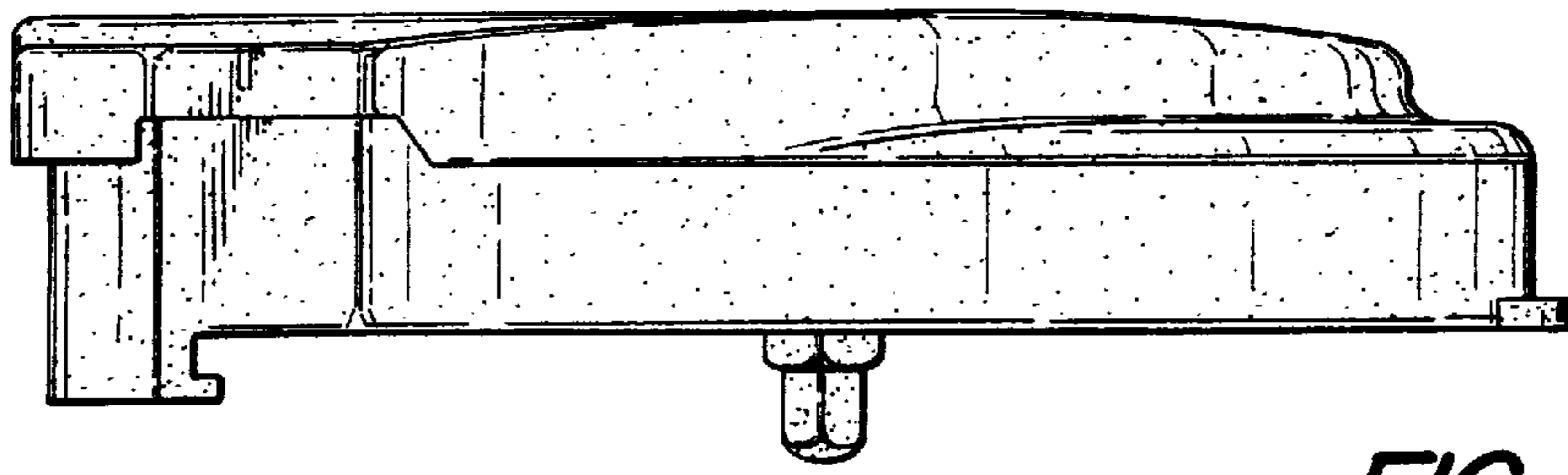


FIG-3

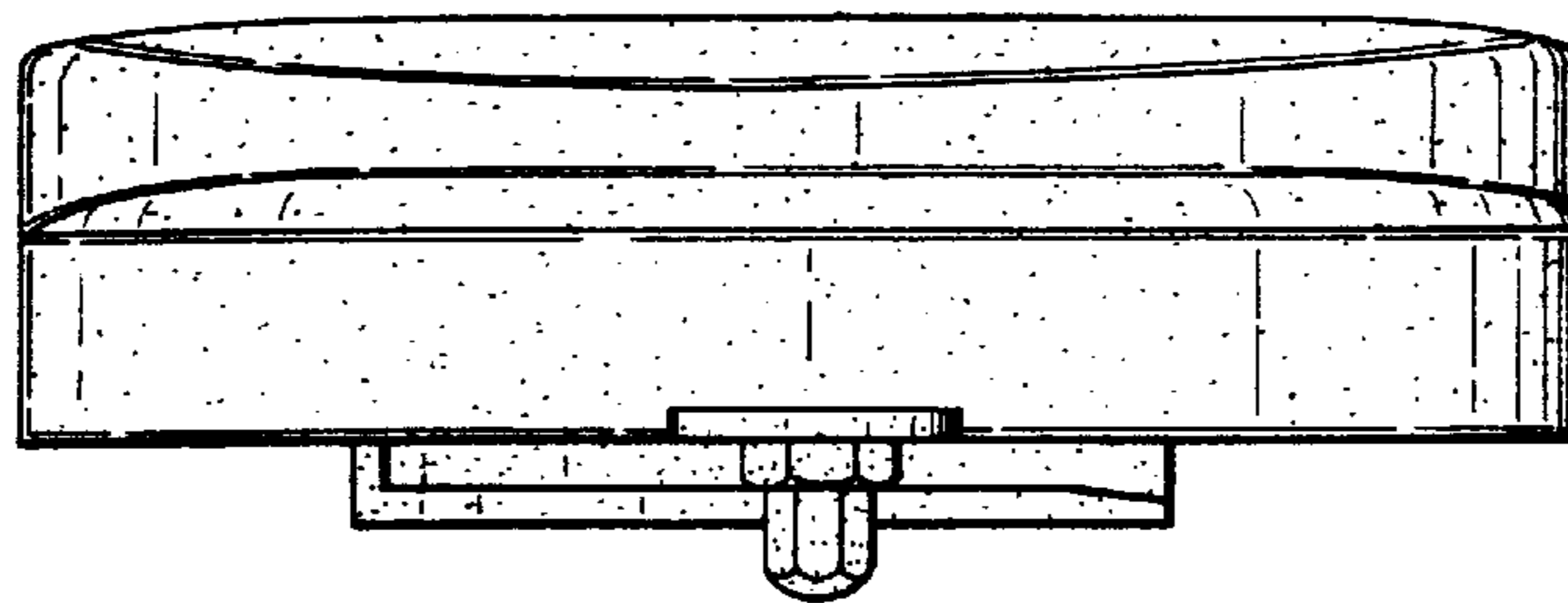


FIG-4

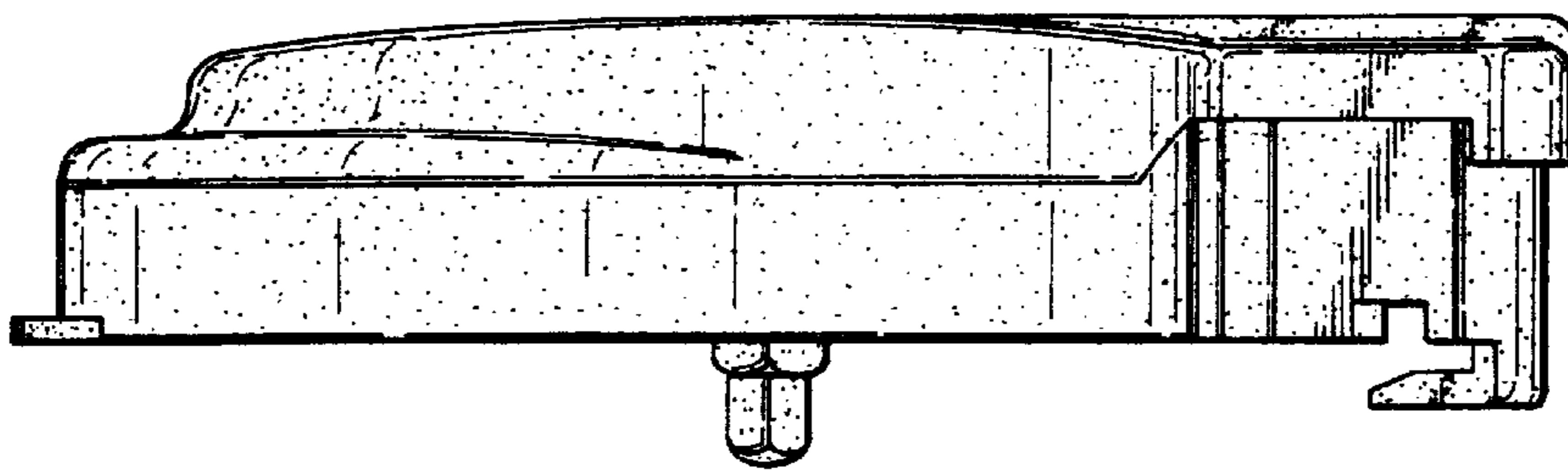


FIG-5

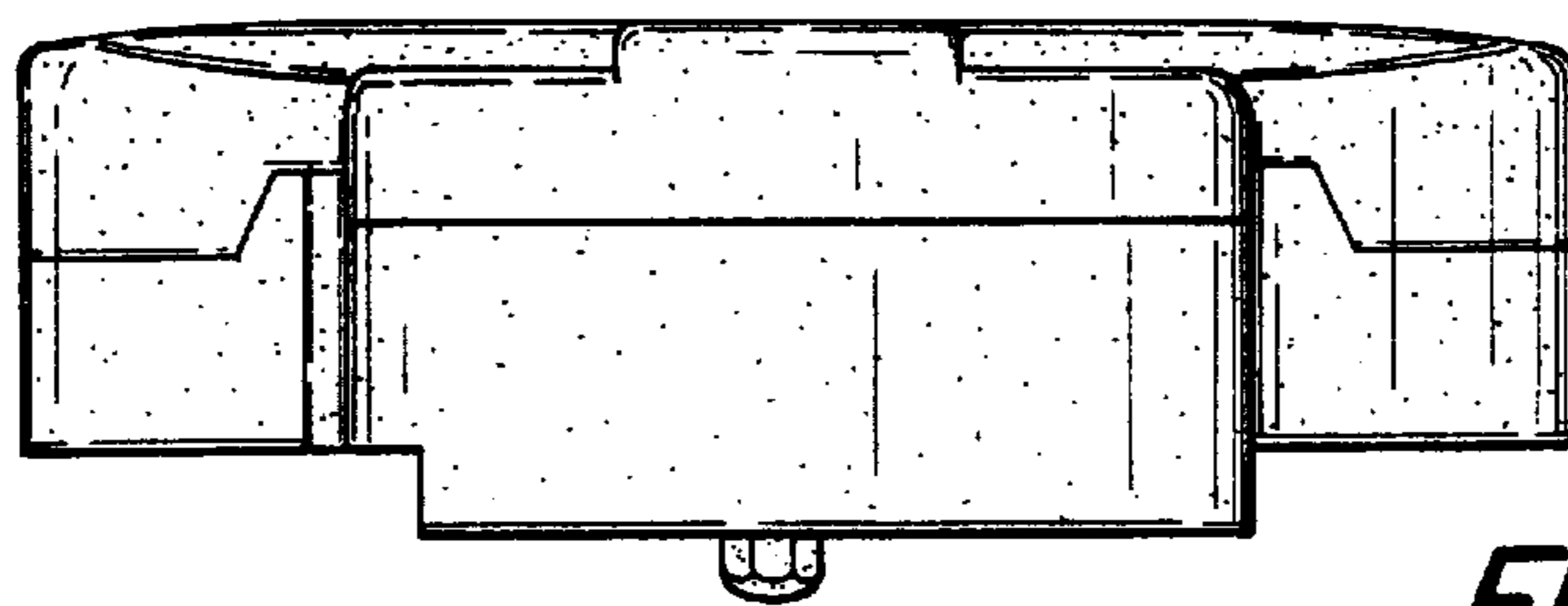


FIG-6