



US00D414227S

United States Patent [19]
Gvoich

[11] **Patent Number: Des. 414,227**

[45] **Date of Patent: ** Sep. 21, 1999**

[54] **EXERCISE DEVICE**

[75] Inventor: **Ned Gvoich**, Scottsdale, Ariz.

[73] Assignee: **Kor-One, Ltd.**, Scottsdale, Ariz.

[**] Term: **14 Years**

[21] Appl. No.: **29/091,874**

[22] Filed: **Aug. 5, 1998**

[51] **LOC (6) Cl.** **21-02**

[52] **U.S. Cl.** **D21/692; D21/662**

[58] **Field of Search** D21/662, 692,
D21/693; 482/121, 122, 123, 124, 125,
126

[56] **References Cited**

U.S. PATENT DOCUMENTS

D. 353,859 12/1994 Grey D21/692

4,783,067	11/1988	Palmer	482/122
5,160,304	11/1992	Van Der Hoeven	482/121
5,547,446	8/1996	Szabo	482/121
5,637,066	6/1997	Chang	482/121
5,651,755	7/1997	Chen	482/126

Primary Examiner—Philip S. Hyder
Attorney, Agent, or Firm—John D. Titus; Bryan Cave LLP

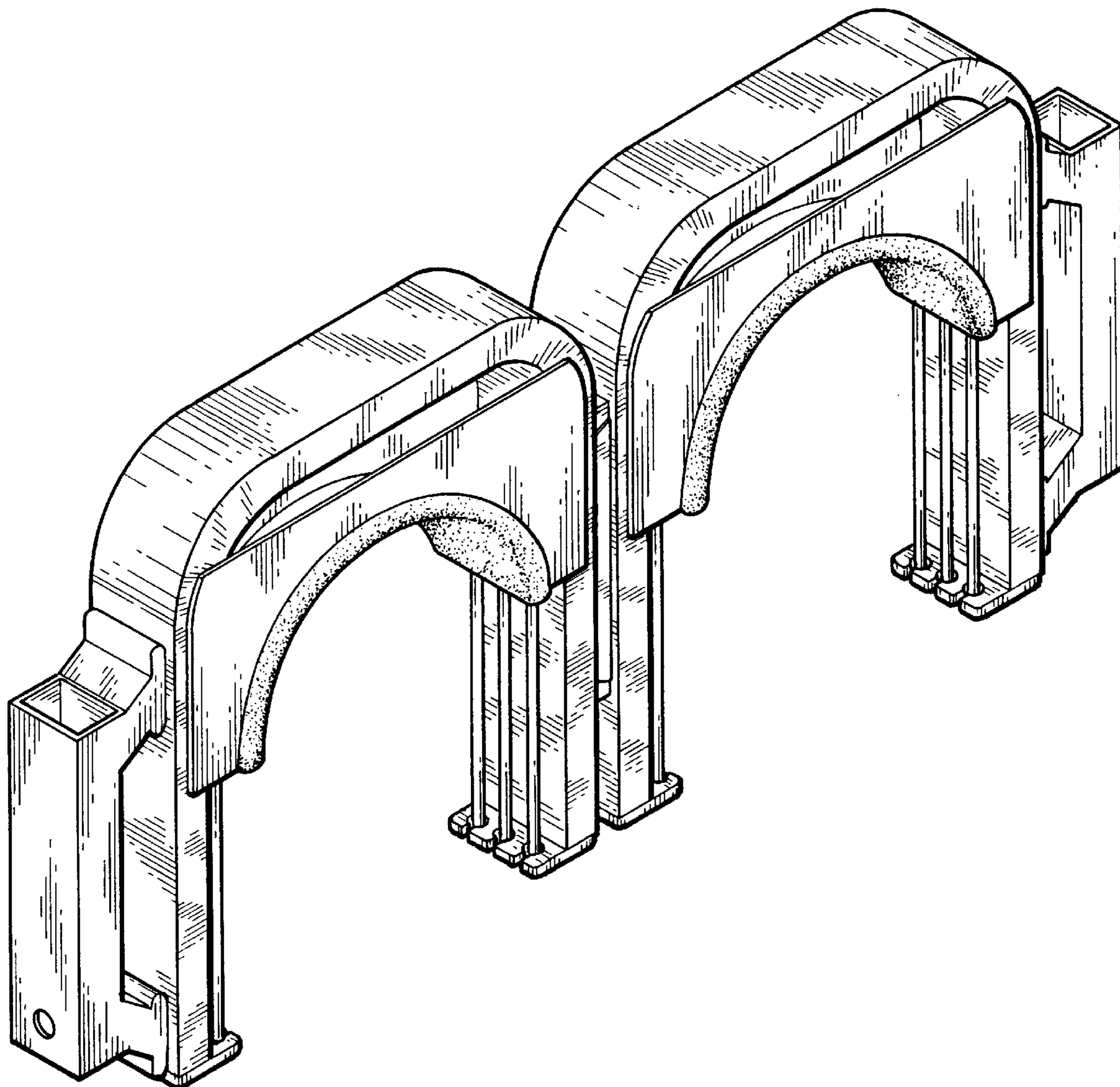
[57] **CLAIM**

The ornamental design for an exercise device, as shown.

DESCRIPTION

FIG. 1 is perspective view;
FIG. 2 is a front elevational view, wherein the rear view is identical;
FIG. 3 is a side elevational view;
FIG. 4 is a top plan view; and,
FIG. 5 is a bottom plan view.

1 Claim, 3 Drawing Sheets



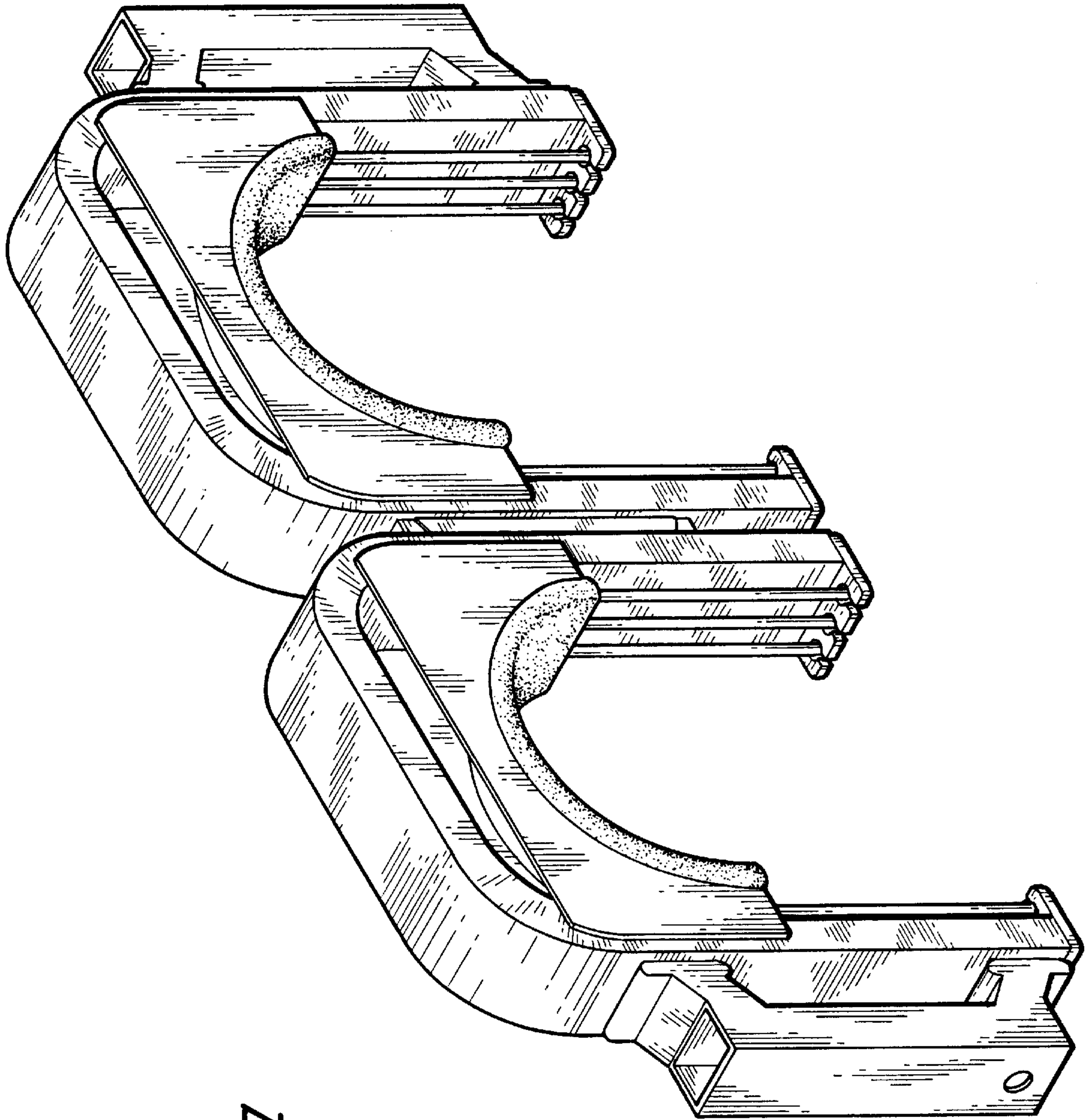


FIG. 1

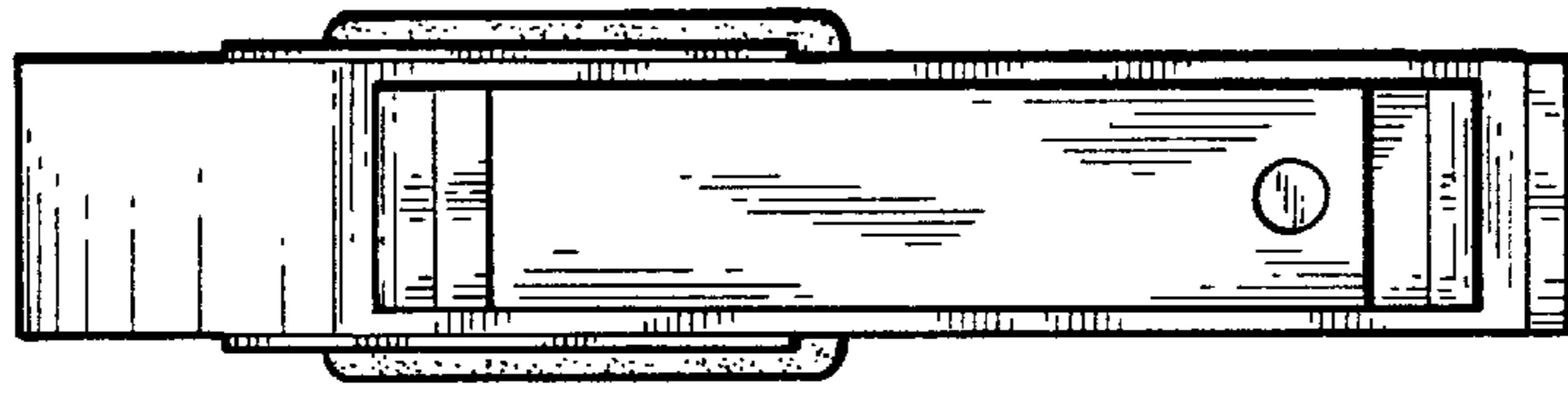


FIG. 3

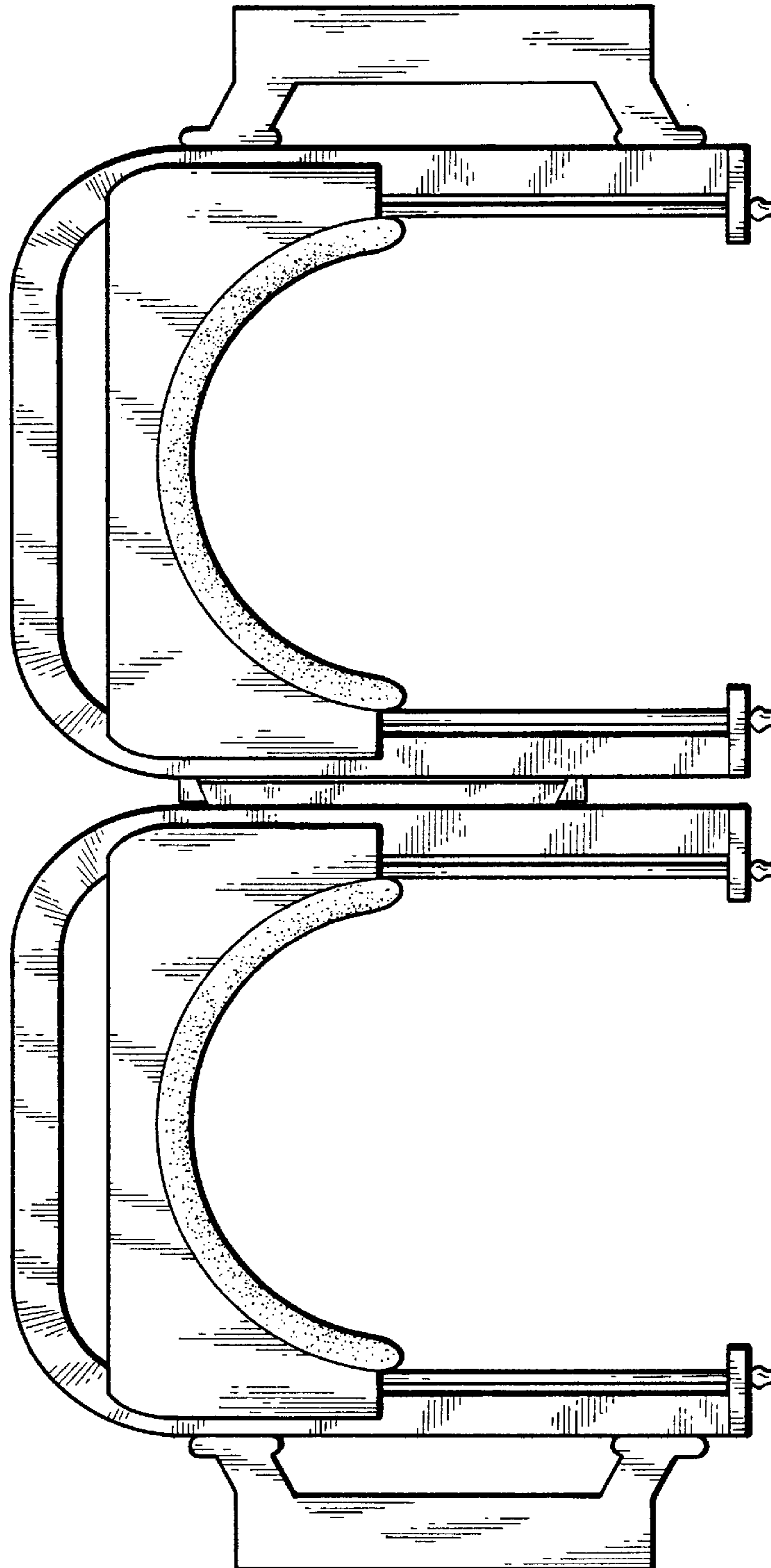


FIG. 2

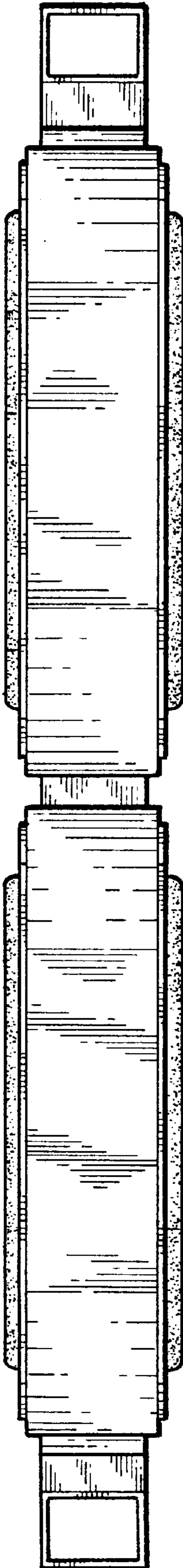


FIG. 4

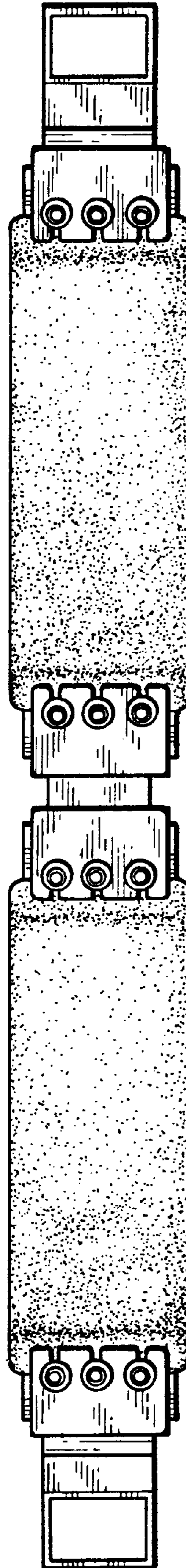


FIG. 5