



US00D414223S

United States Patent [19] Lam

[11] Patent Number: Des. 414,223

[45] Date of Patent: ** Sep. 21, 1999

[54] TOY WINDMILL

D. 191,915 12/1961 Dunbar D21/510
1,576,596 3/1926 Goff 446/476

[75] Inventor: **Yuen-Ming Lam**, Chaiwan, The Hong Kong Special Administrative Region of the People's Republic of China

Primary Examiner—Raphael Barkai
Attorney, Agent, or Firm—Burns, Doane, Swecker & Mathis, L.L.P.

[73] Assignee: **Ever Step Development Limited**, Hong Kong, The Hong Kong Special Administrative Region of the People's Republic of China

[57] CLAIM

The ornamental design for a “toy windmill”, as shown and described.

[**] Term: 14 Years

DESCRIPTION

[21] Appl. No.: 29/076,052

FIG. 1 is a front view of a “toy windmill” showing my design;

[22] Filed: Sep. 5, 1997

FIG. 2 is a rear side view thereof;

[51] LOC (6) Cl. 21-01

FIG. 3 is a left side view thereof;

[52] U.S. Cl. D21/510

FIG. 4 is a right side view thereof;

[58] Field of Search D21/506-511;
D25/7, 25; 446/476, 477, 217, 218

FIG. 5 is a top plan view thereof;

FIG. 6 is a bottom view thereof;

FIG. 7 is a perspective view thereof; and,

FIG. 8 is a perspective view in an alternate position.

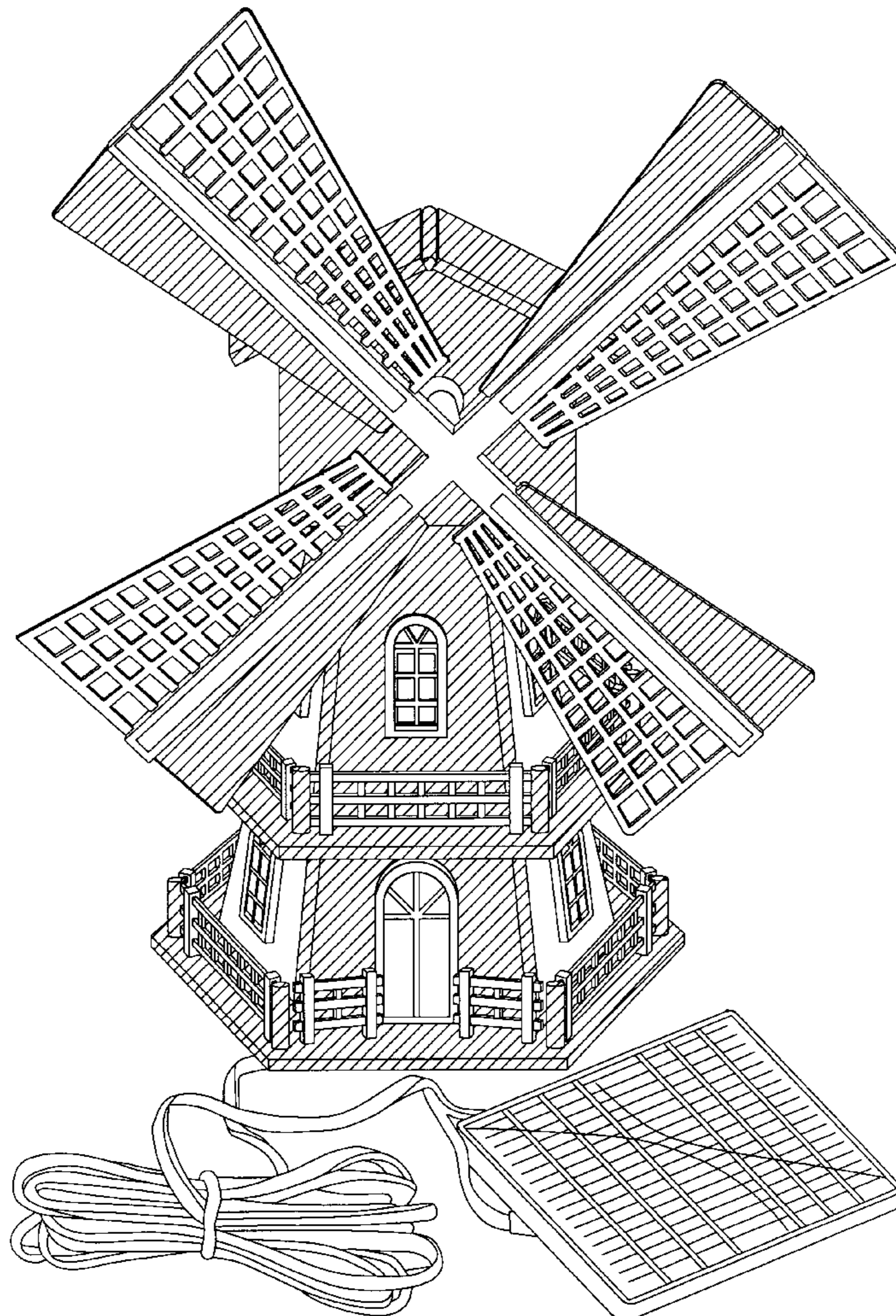
The omission of the electrical feature in FIGS. 1-7 is for ease of illustration only.

[56] References Cited

U.S. PATENT DOCUMENTS

D. 82,587 11/1930 Scheibe D21/510
D. 90,358 7/1933 Cherneff D21/510

1 Claim, 8 Drawing Sheets



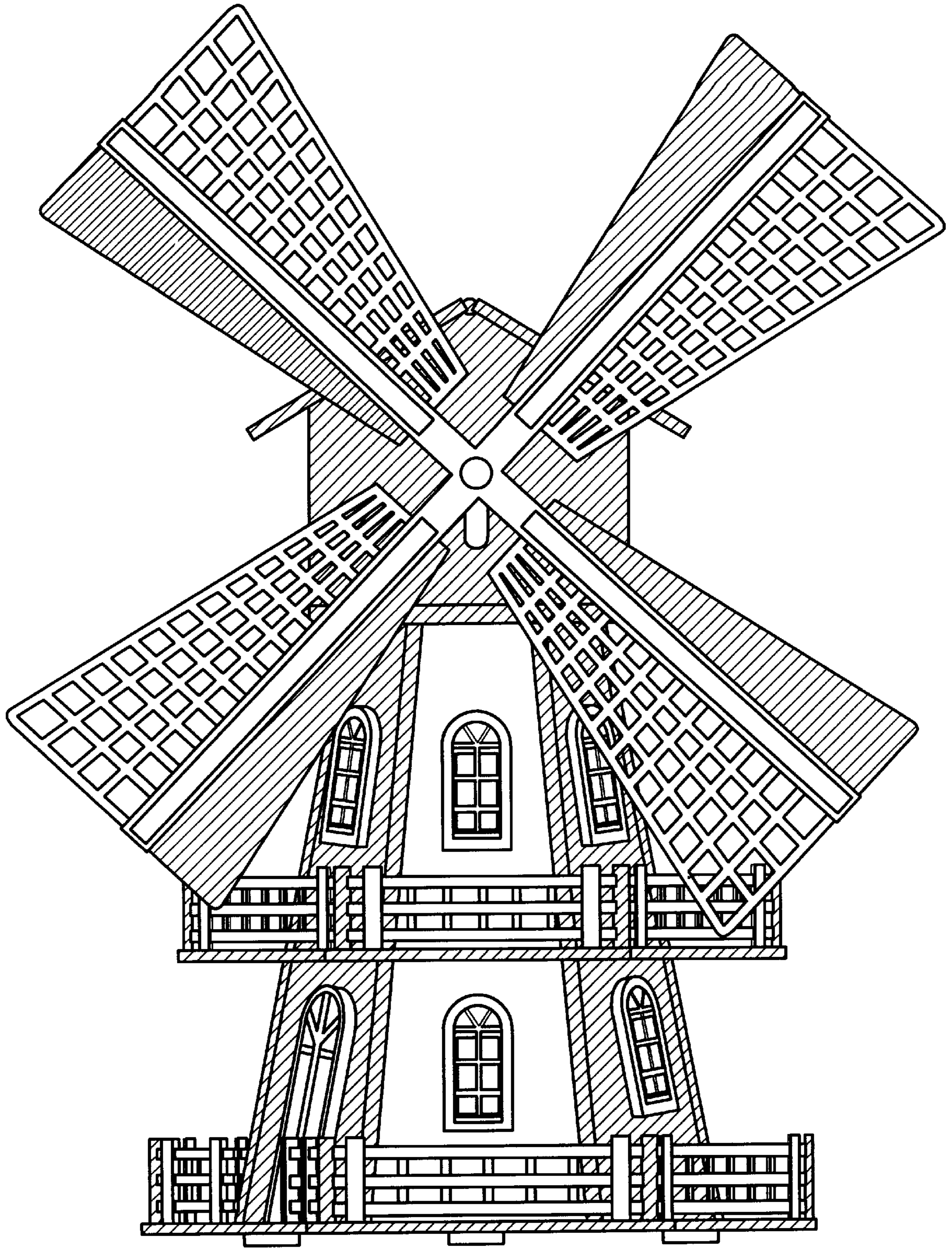


FIG. 1

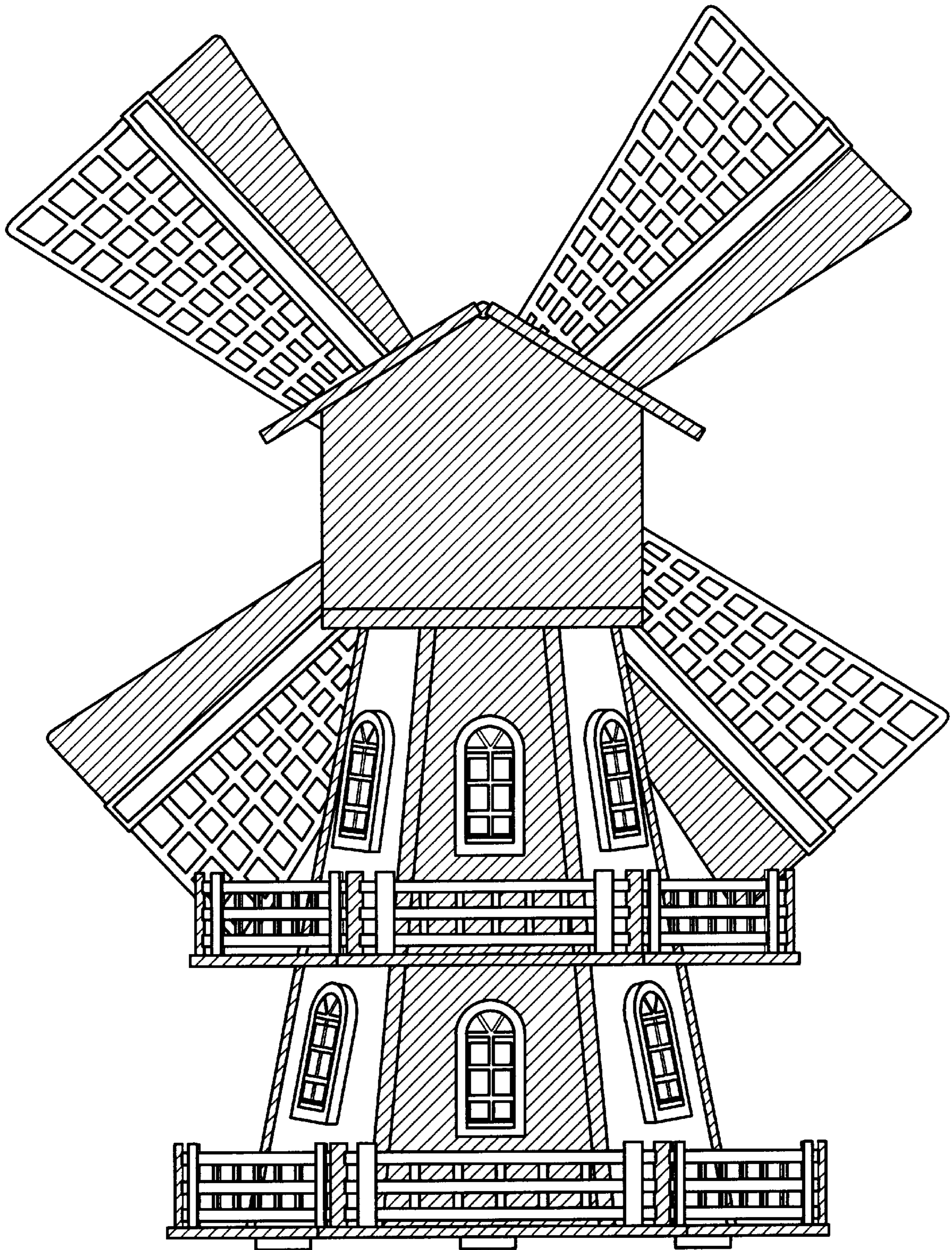


FIG. 2

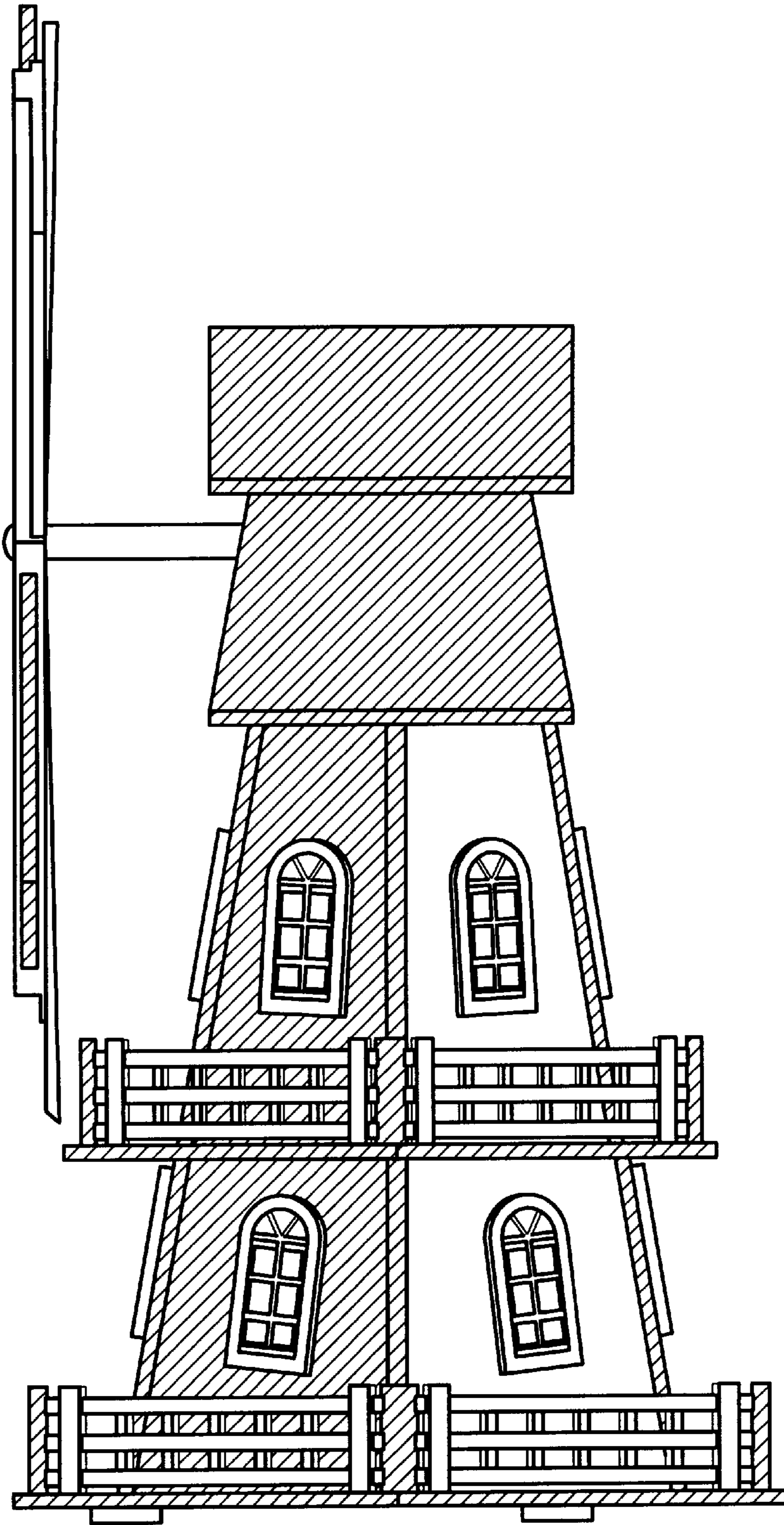


FIG. 3

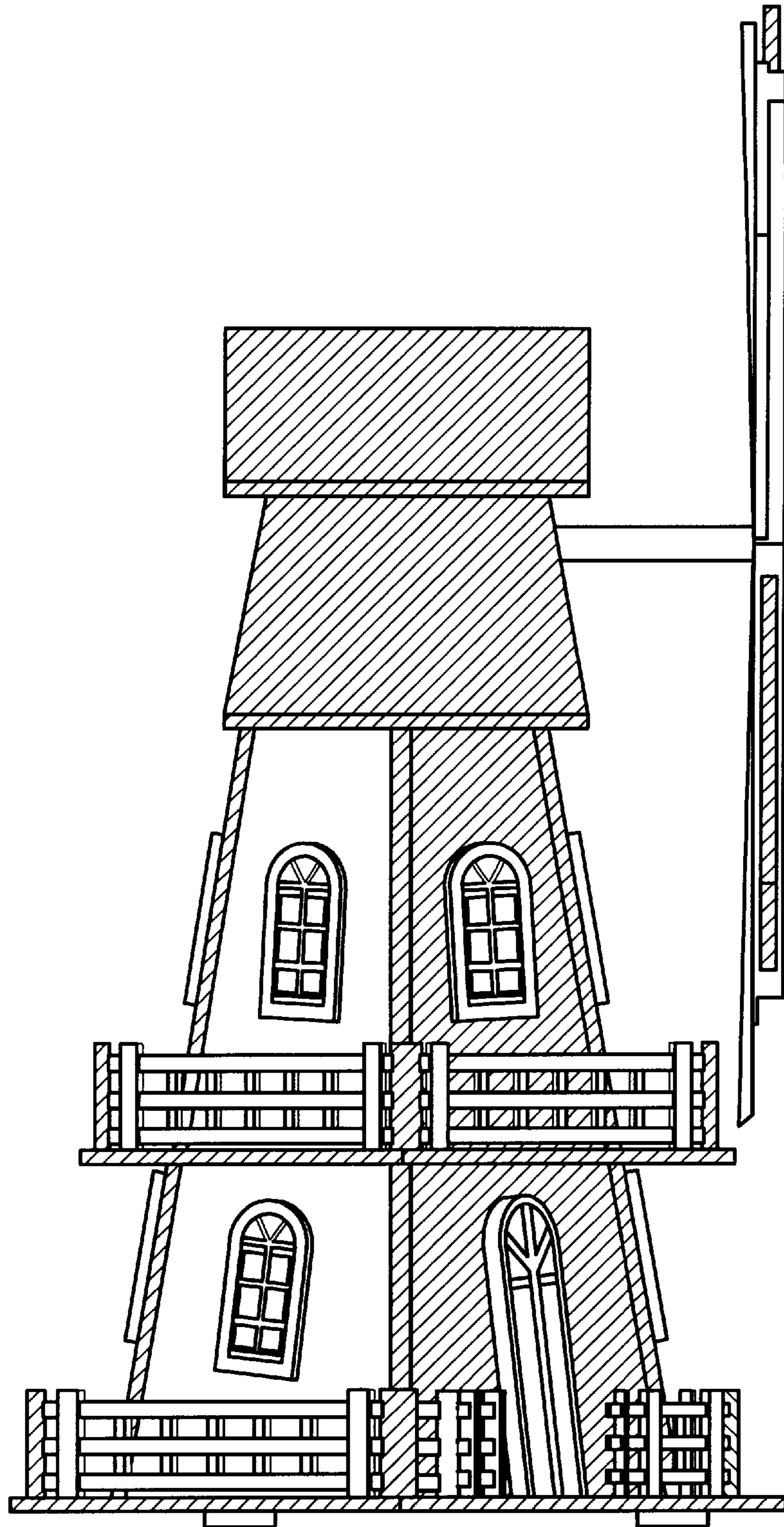


FIG. 4

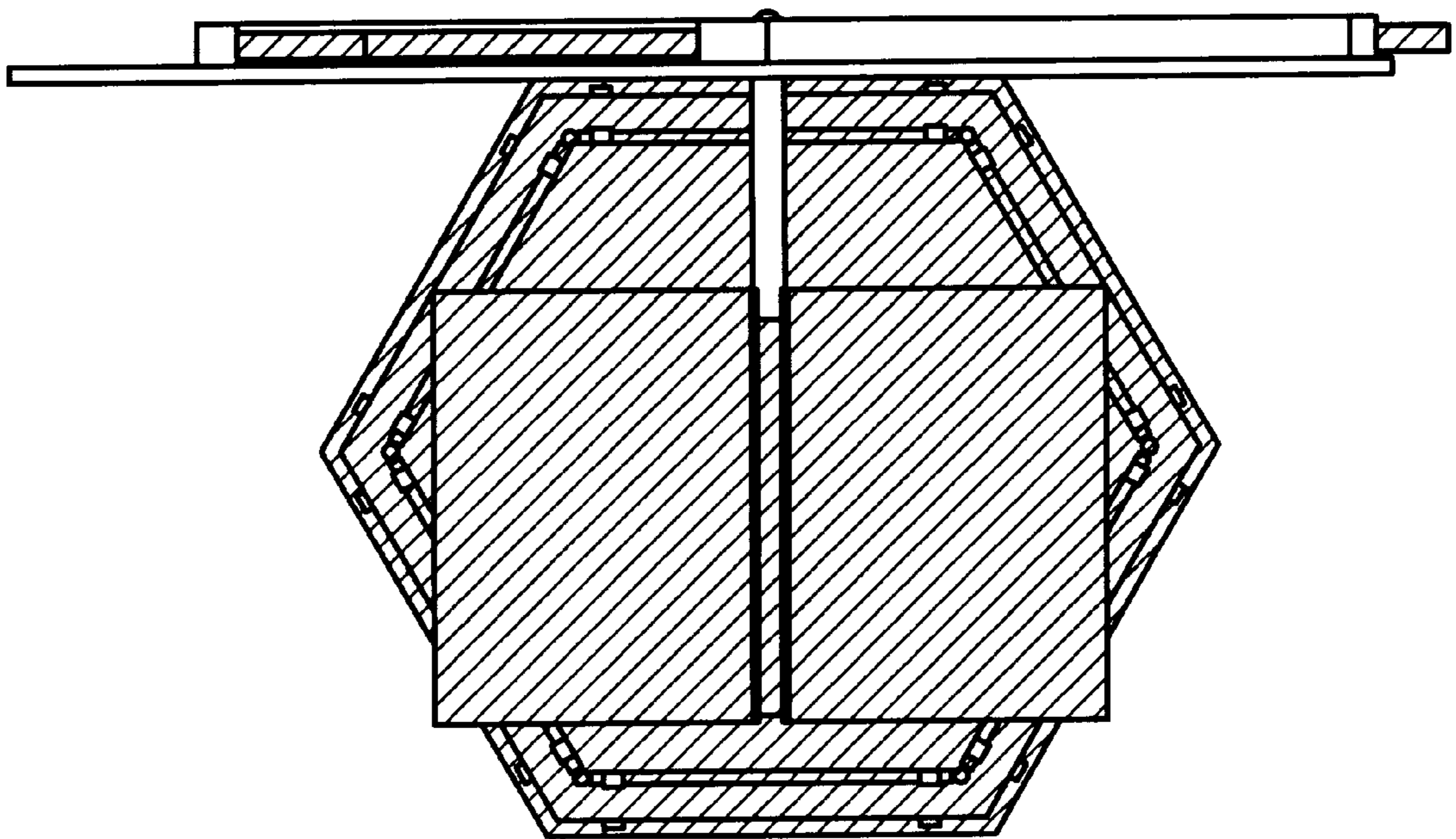


FIG. 5

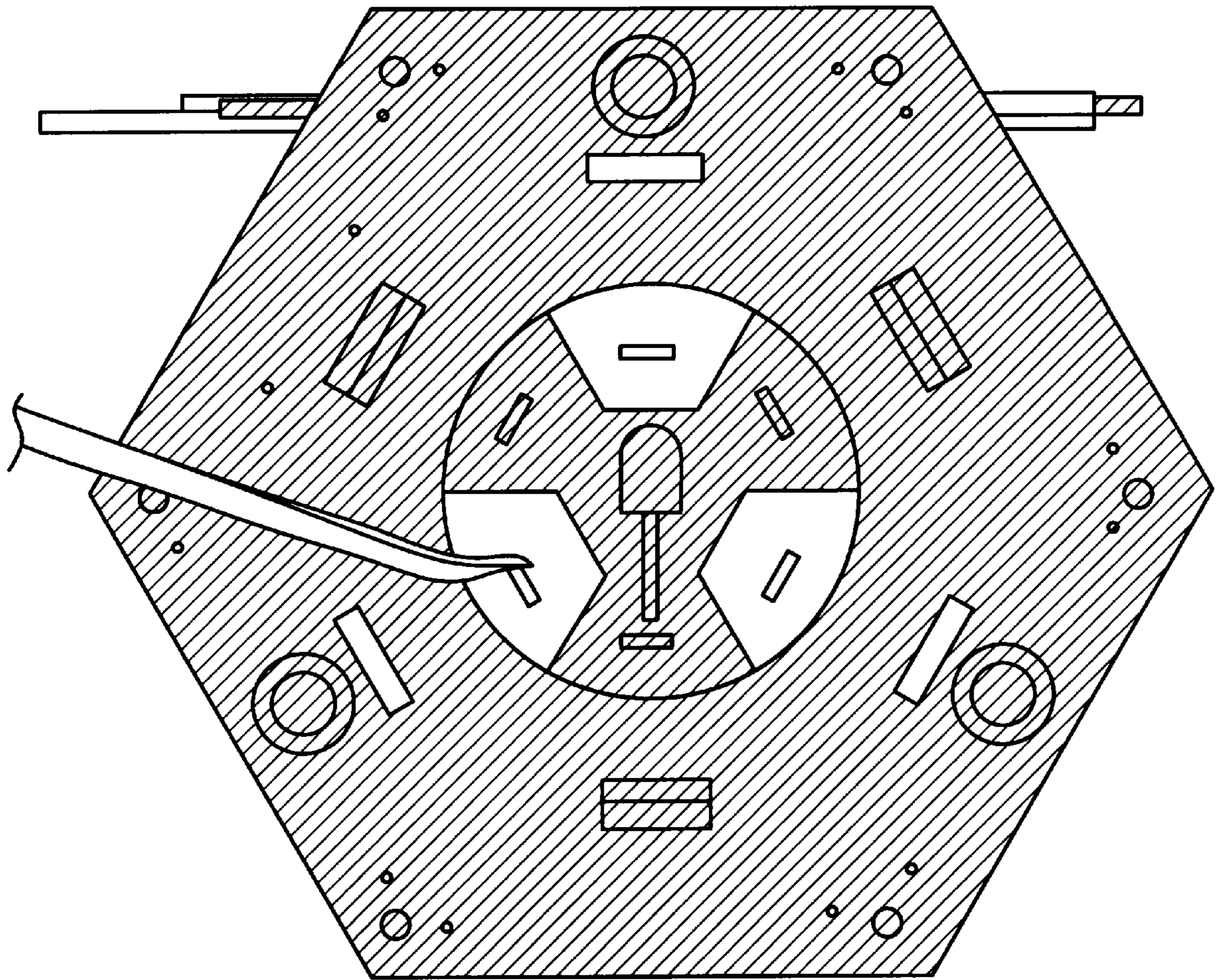


FIG. 6

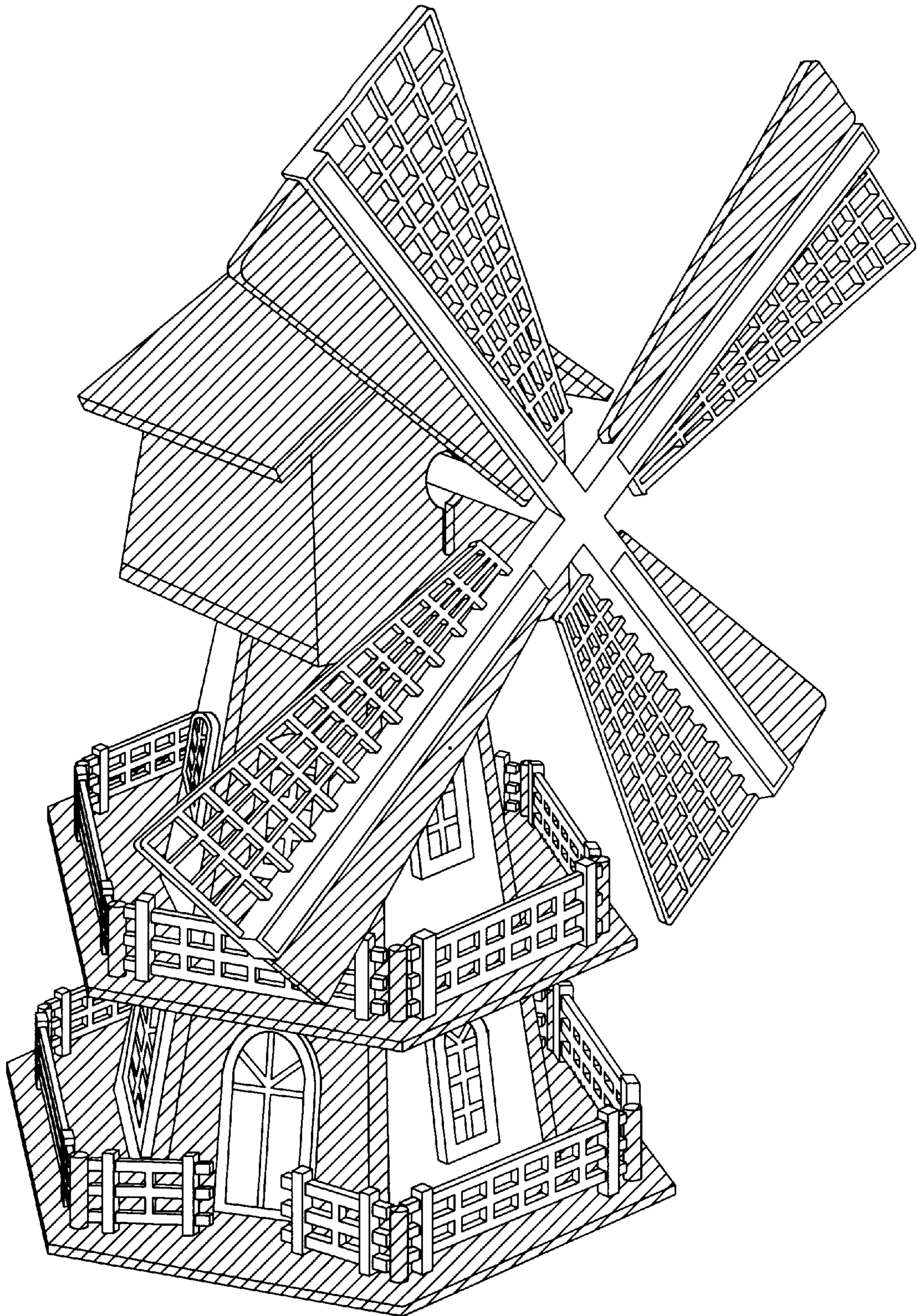


FIG. 7

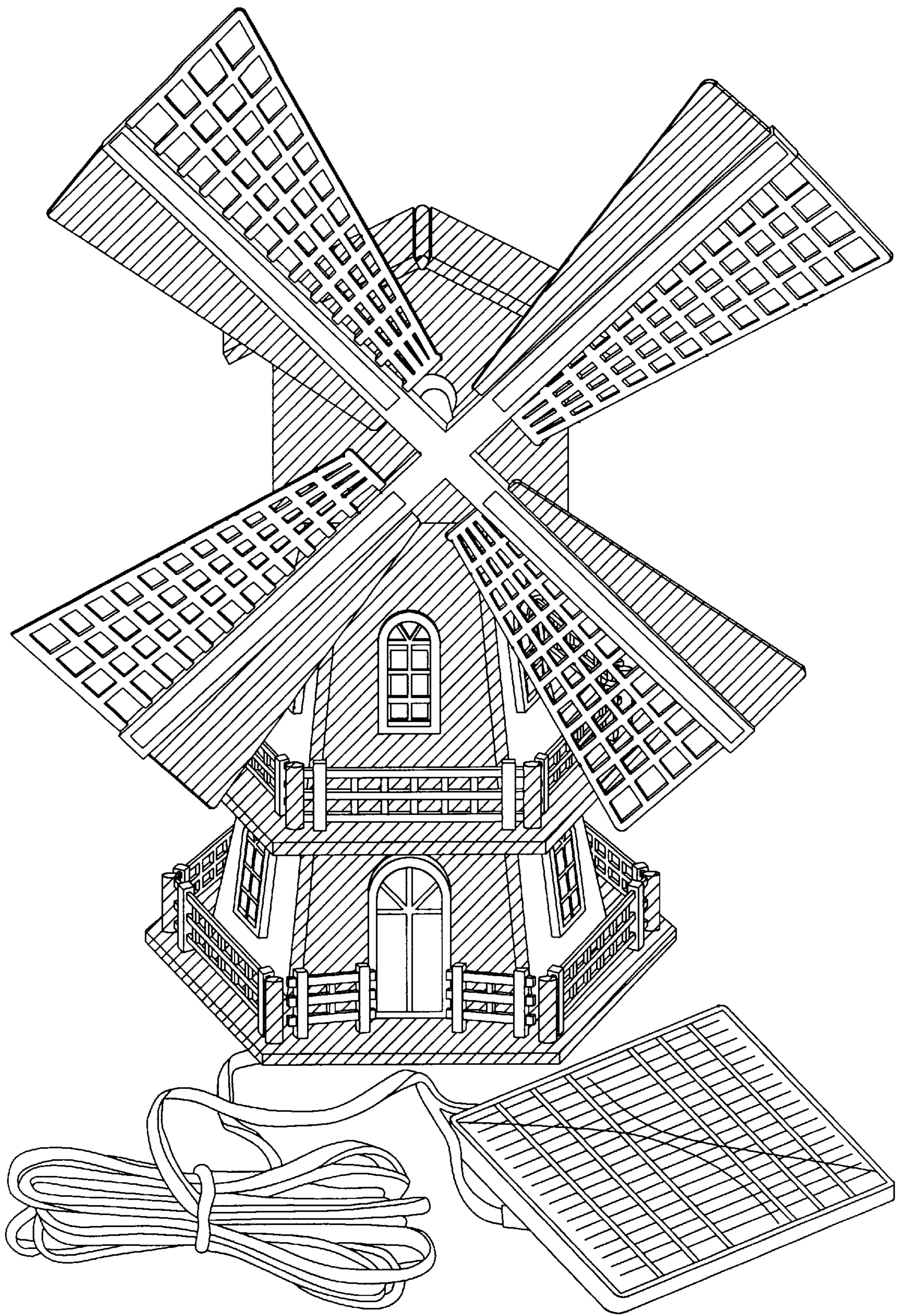


FIG. 8