



US00D414220S

United States Patent [19] Catto

[11] **Patent Number: Des. 414,220**

[45] **Date of Patent: ** Sep. 21, 1999**

[54] **ELECTRIC SCOOTER**

[76] Inventor: **Craig C. Catto**, 15301 Jesus Maria Rd., Mokelumne Hill, Calif. 95245

[**] Term: **14 Years**

[21] Appl. No.: **29/060,067**

[22] Filed: **Sep. 20, 1996**

[51] **LOC (6) Cl. 21-01**

[52] **U.S. Cl. D21/423**

[58] **Field of Search D12/112, 113, D12/110, 178; D21/423; 280/87.021, 87.042, 87.041, 87.043**

[56] **References Cited**

U.S. PATENT DOCUMENTS

D. 56,473	10/1920	Pratt	D21/423
D. 289,065	3/1987	Schultz	D21/423
D. 352,921	11/1994	Pepe	D21/423 X
1,274,889	8/1918	Johnson	D21/423 X

*Primary Examiner—Pamela Burgess
Attorney, Agent, or Firm—Lothrop & West*

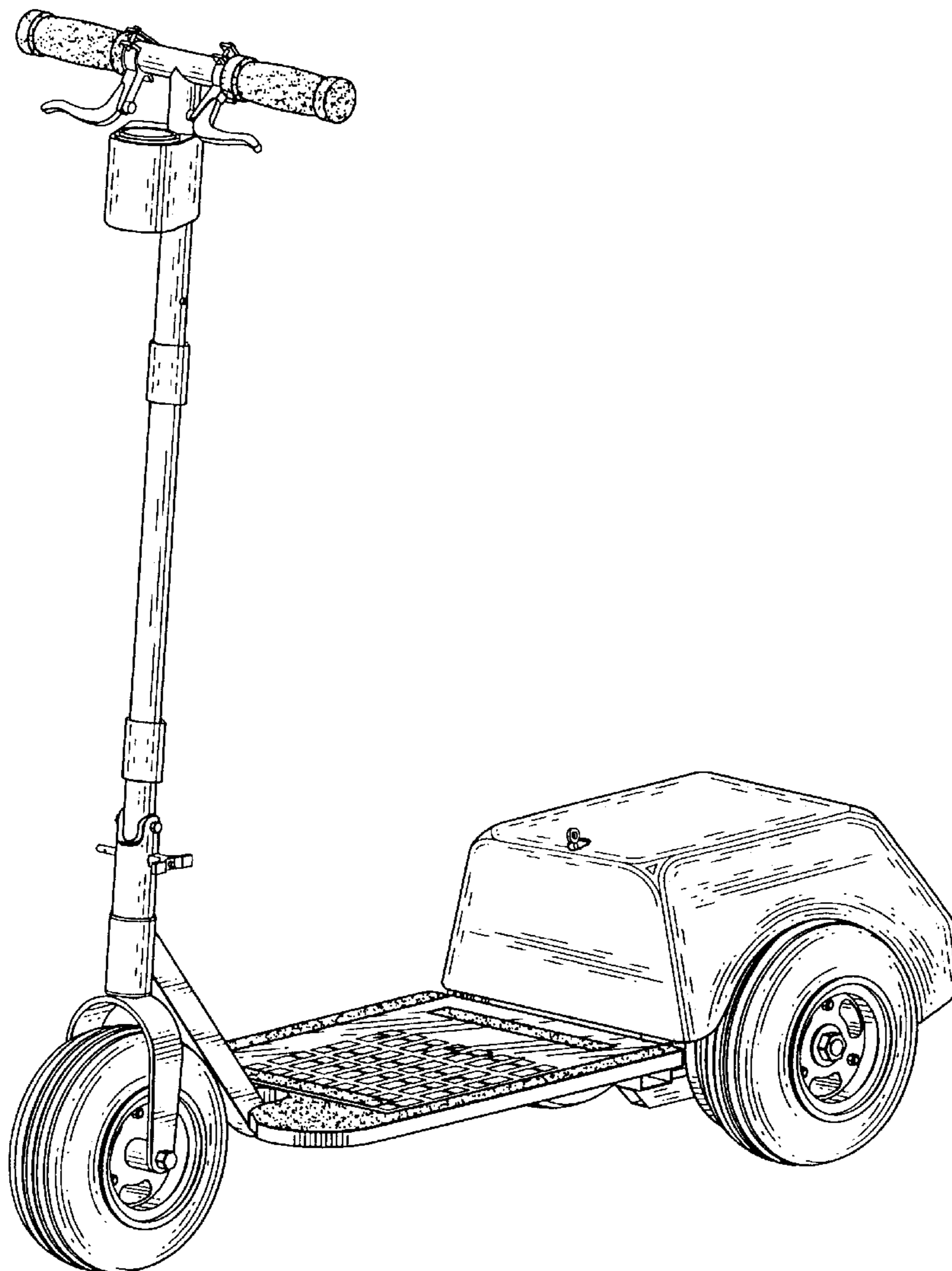
[57] **CLAIM**

The ornamental design for an electric scooter, as shown and described.

DESCRIPTION

FIG. 1 is a left front perspective of an electric scooter, showing my new design;
FIG. 2 is a view as in FIG. 1, but showing an alternative configuration the invention can assume, with the pivoted steering post in a lower, stowed position;
FIG. 3 is a front elevational view, thereof;
FIG. 4 is an elevational view of one side, thereof;
FIG. 5 is a rear elevational view, thereof;
FIG. 6 is is an elevational view of the other side, thereof;
FIG. 7 is a top plan view, thereof; and,
FIG. 8 is a bottom plan view, thereof.

1 Claim, 4 Drawing Sheets



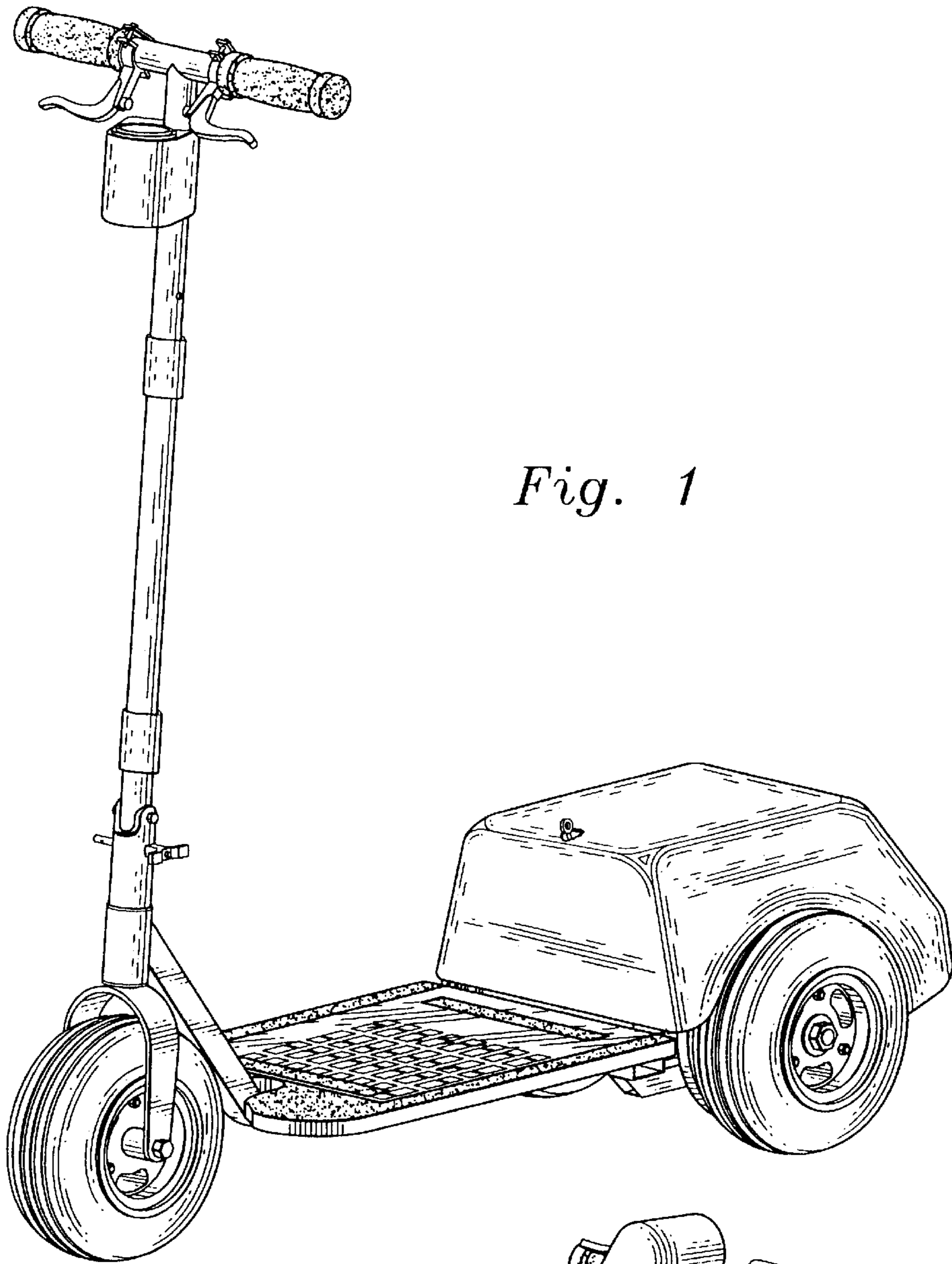


Fig. 1

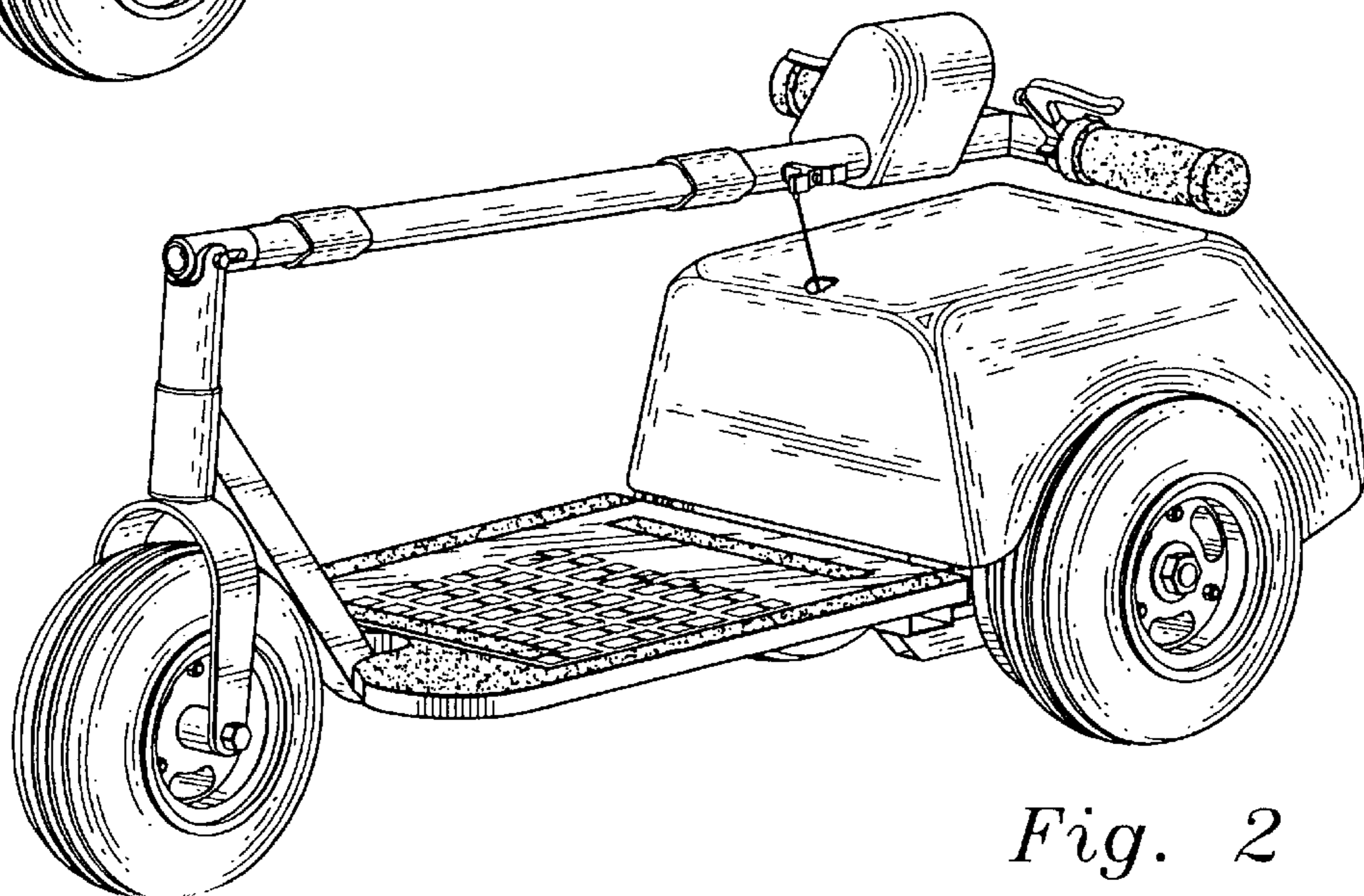


Fig. 2

Fig. 3

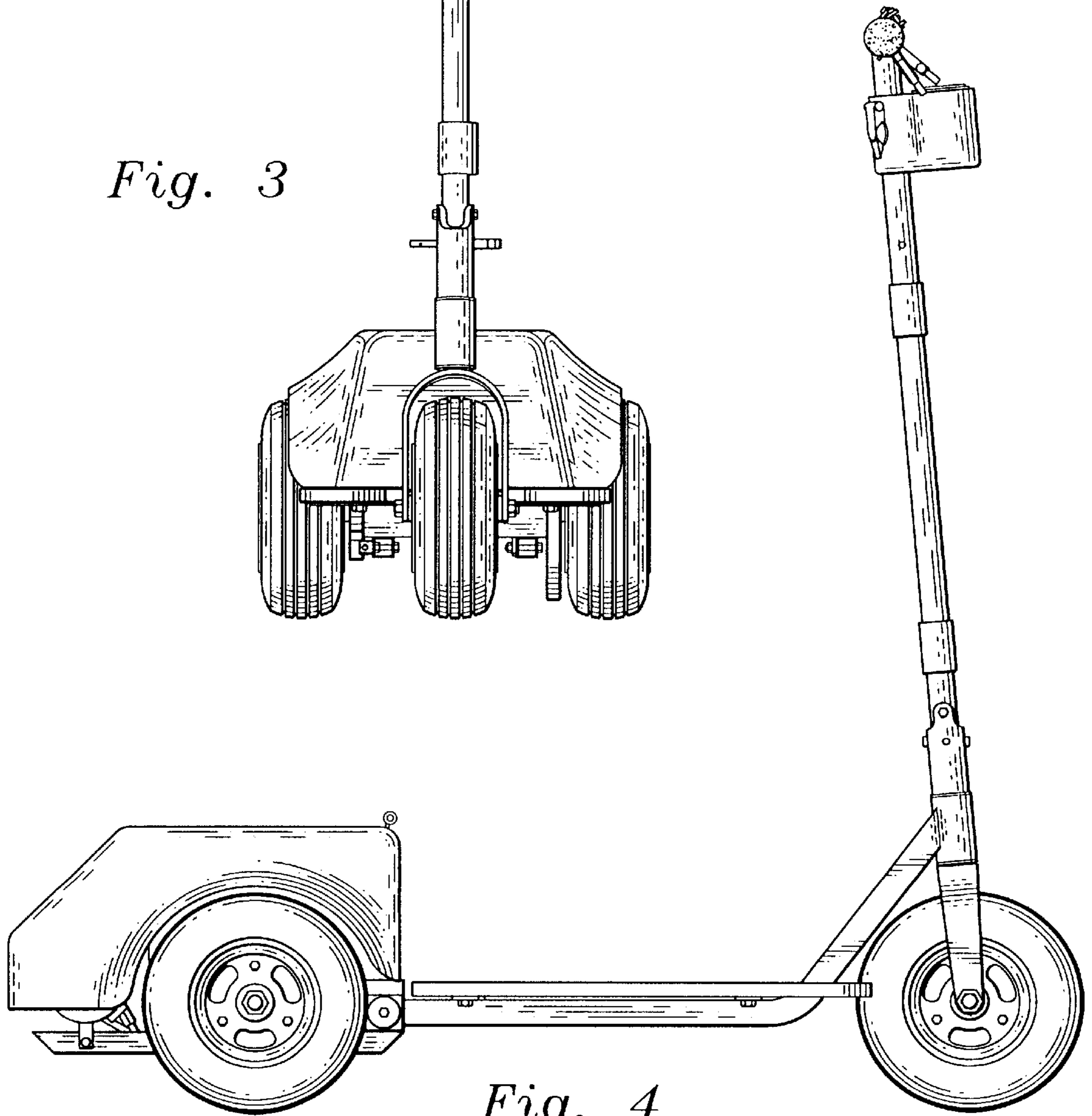
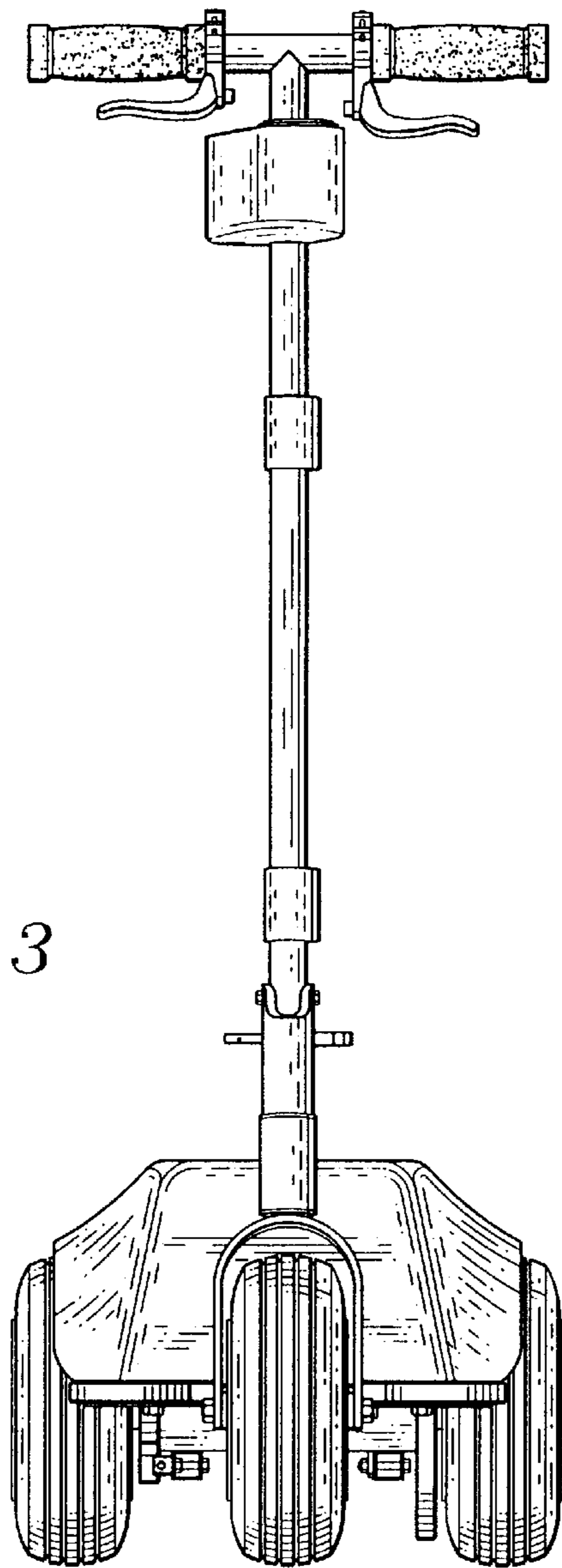


Fig. 4

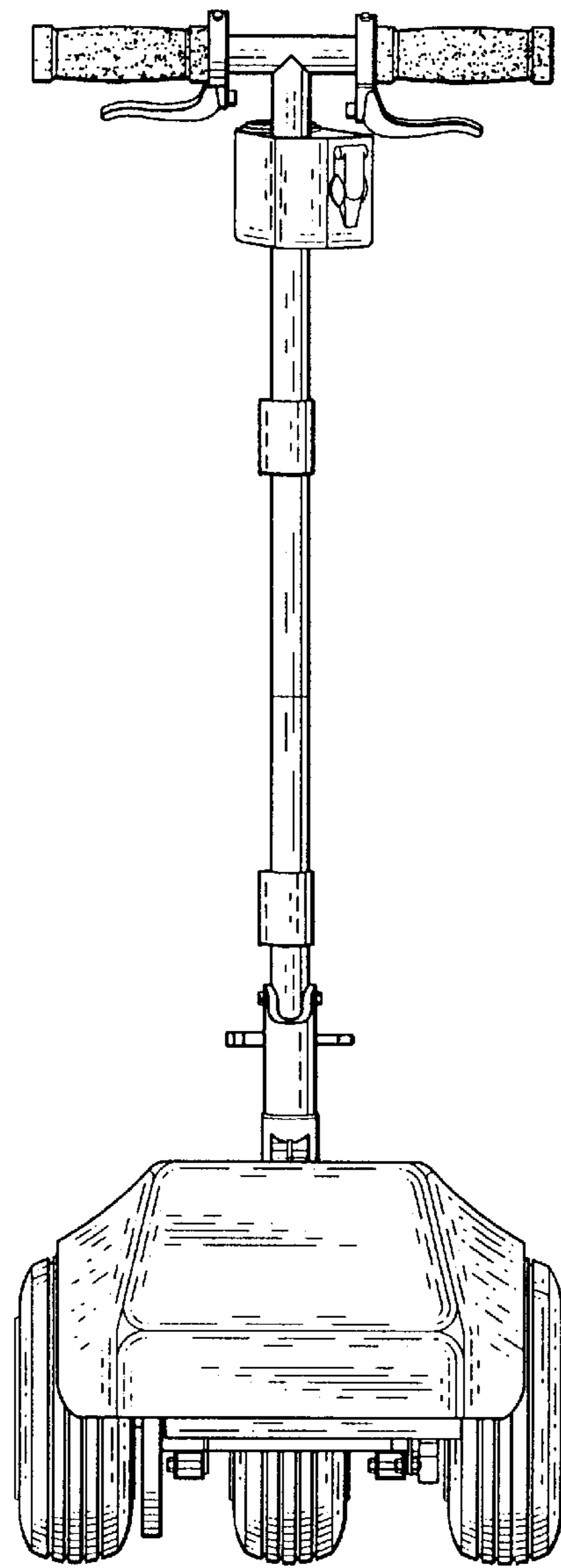


Fig. 5

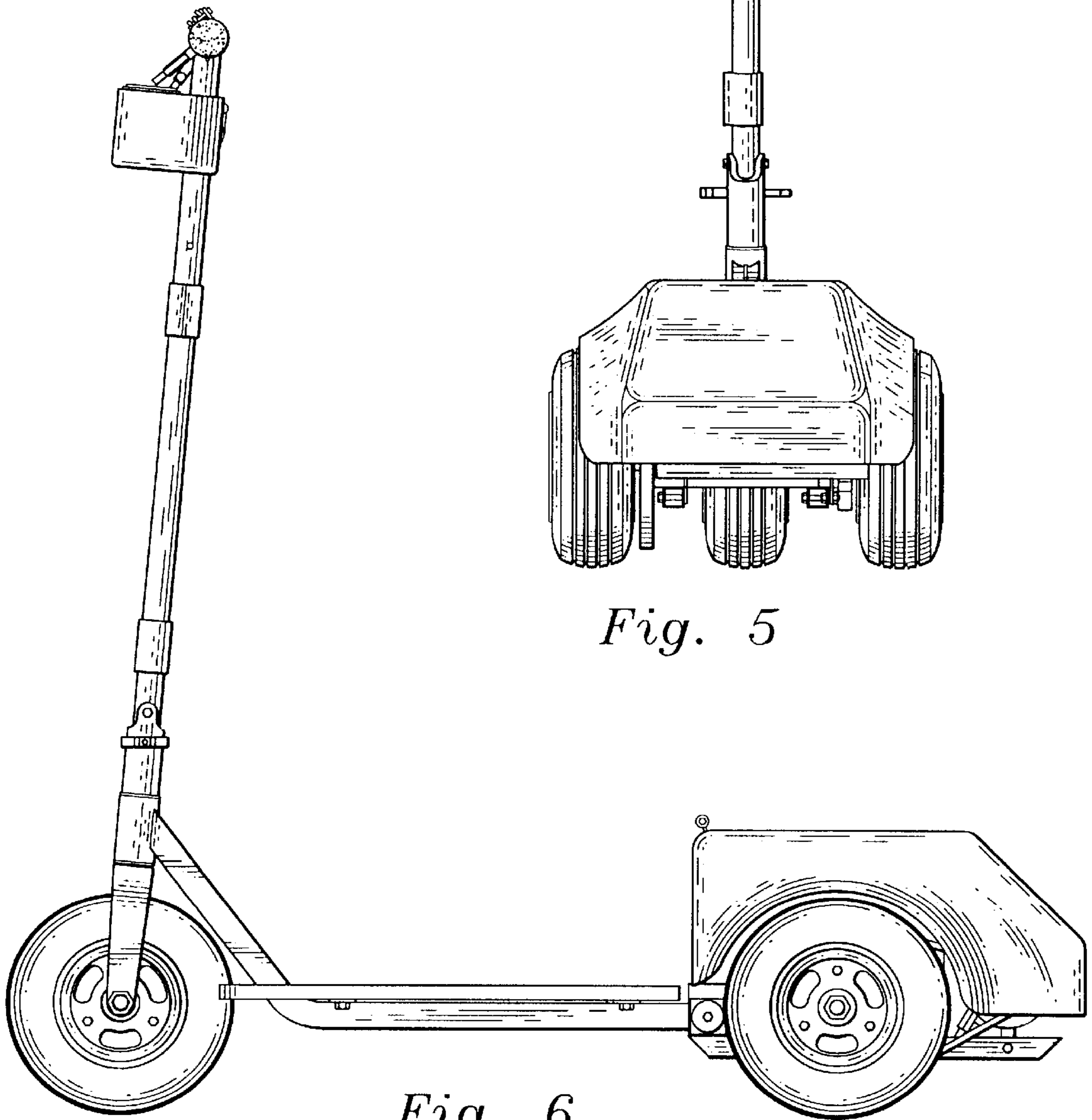


Fig. 6

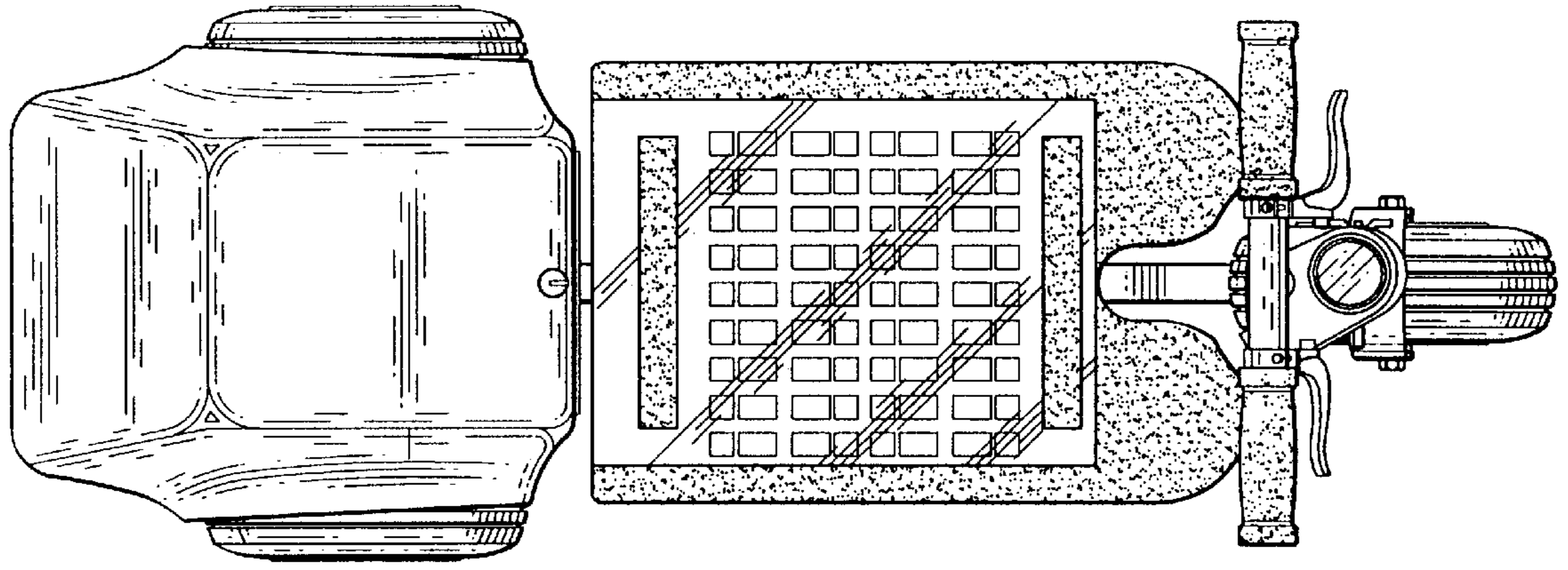


Fig. 7

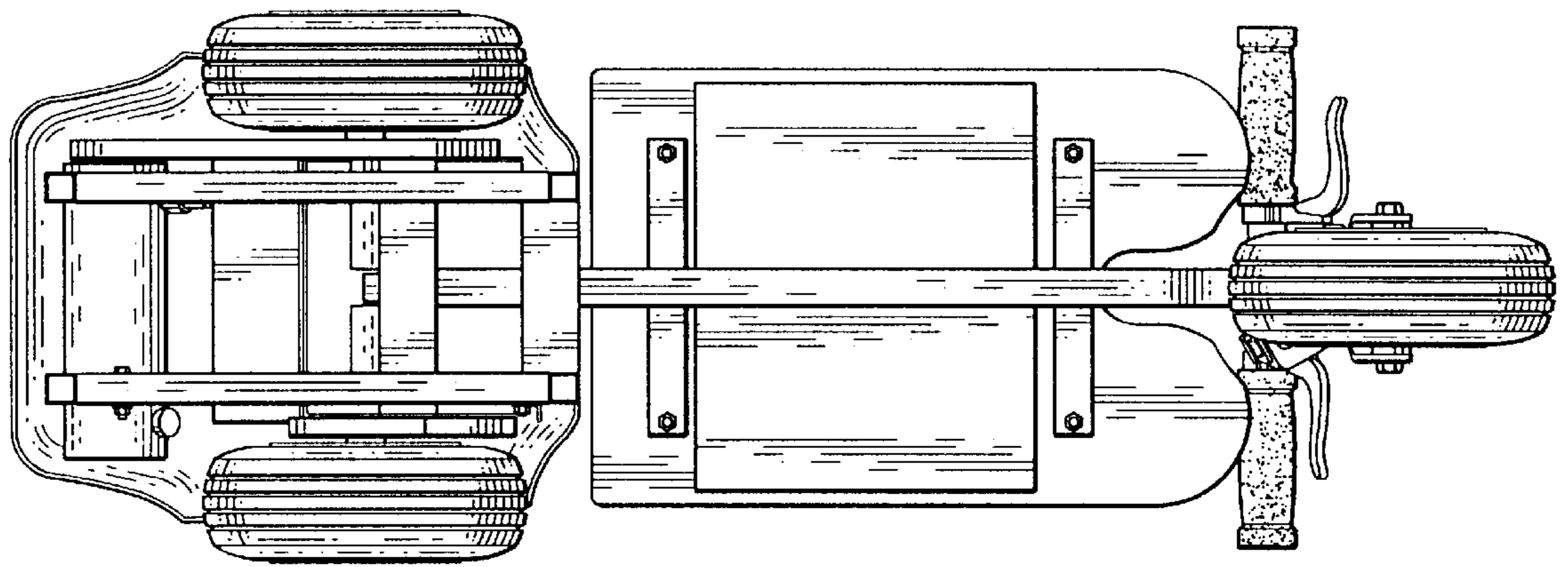


Fig. 8