



US00D414215S

**United States Patent** [19]  
**Yamazaki**

[11] **Patent Number: Des. 414,215**

[45] **Date of Patent: \*\* Sep. 21, 1999**

[54] **TOY FIGURINE**

[75] Inventor: **Tomohiro Yamazaki**, Tokyo, Japan

[73] Assignee: **Tomy Company Ltd.**, Tokyo, Japan

[\*\*] Term: **14 Years**

[21] Appl. No.: **29/062,755**

[22] Filed: **Nov. 22, 1996**

[30] **Foreign Application Priority Data**

May 23, 1996 [JP] Japan ..... 8-15156

[51] **LOC (6) Cl.** ..... **21-01**

[52] **U.S. Cl.** ..... **D21/150; D21/187**

[58] **Field of Search** ..... D21/148, 150,  
D21/151, 159, 161, 163, 187; 446/97, 268,  
269, 279, 280, 283, 286, 289, 290, 291,  
292, 369

[56] **References Cited**

**U.S. PATENT DOCUMENTS**

D. 162,513 3/1951 Brice ..... D21/154

D. 206,602 1/1967 Elzaurdia et al. .... D21/150  
D. 261,161 10/1981 Ohkawa ..... D21/159  
D. 268,506 4/1983 Tung ..... D21/161  
D. 269,535 6/1983 Tung ..... D21/159

*Primary Examiner*—Sandra L. Morris  
*Attorney, Agent, or Firm*—Staas & Halsey

[57] **CLAIM**

The ornamental design for a toy figurine, as shown.

**DESCRIPTION**

FIG. 1 is a front elevational view of a toy figurine, showing my new design;  
FIG. 2 is a rear elevational view thereof;  
FIG. 3 is a right side elevational view thereof;  
FIG. 4 is a left side elevational view thereof;  
FIG. 5 is a top plan view thereof; and,  
FIG. 6 is a bottom plan view thereof.

**1 Claim, 3 Drawing Sheets**

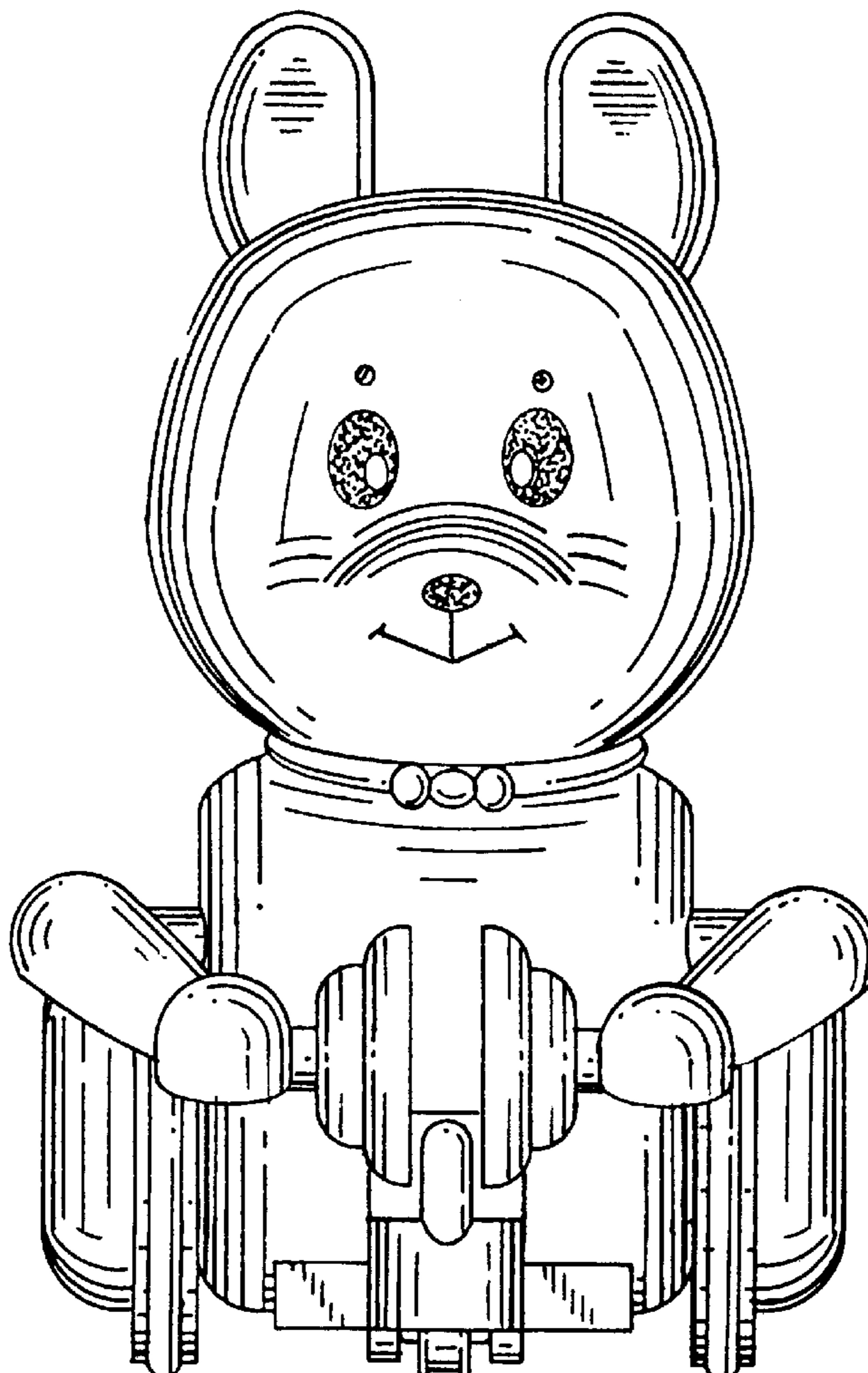


FIG. 2

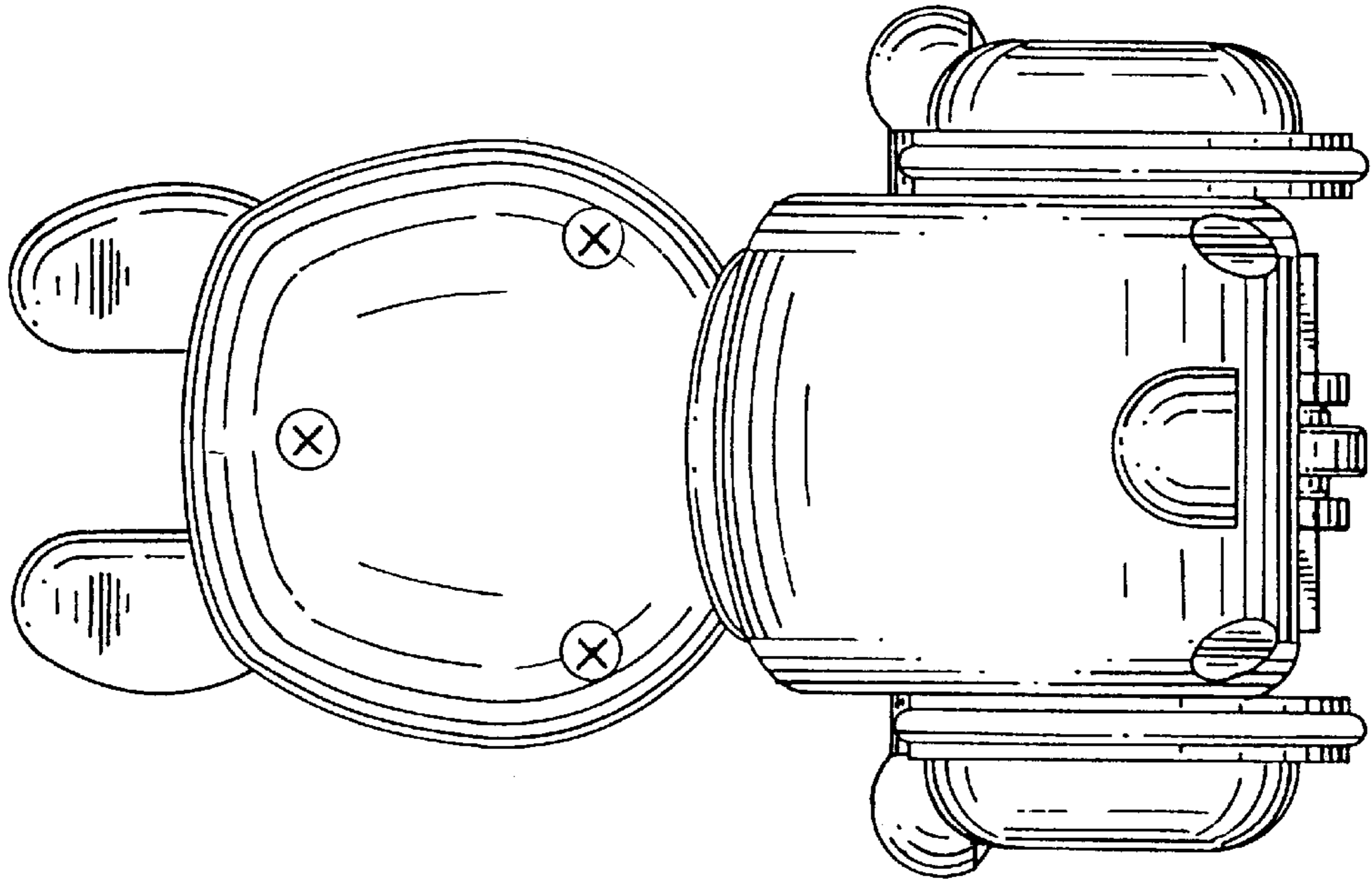


FIG. 1

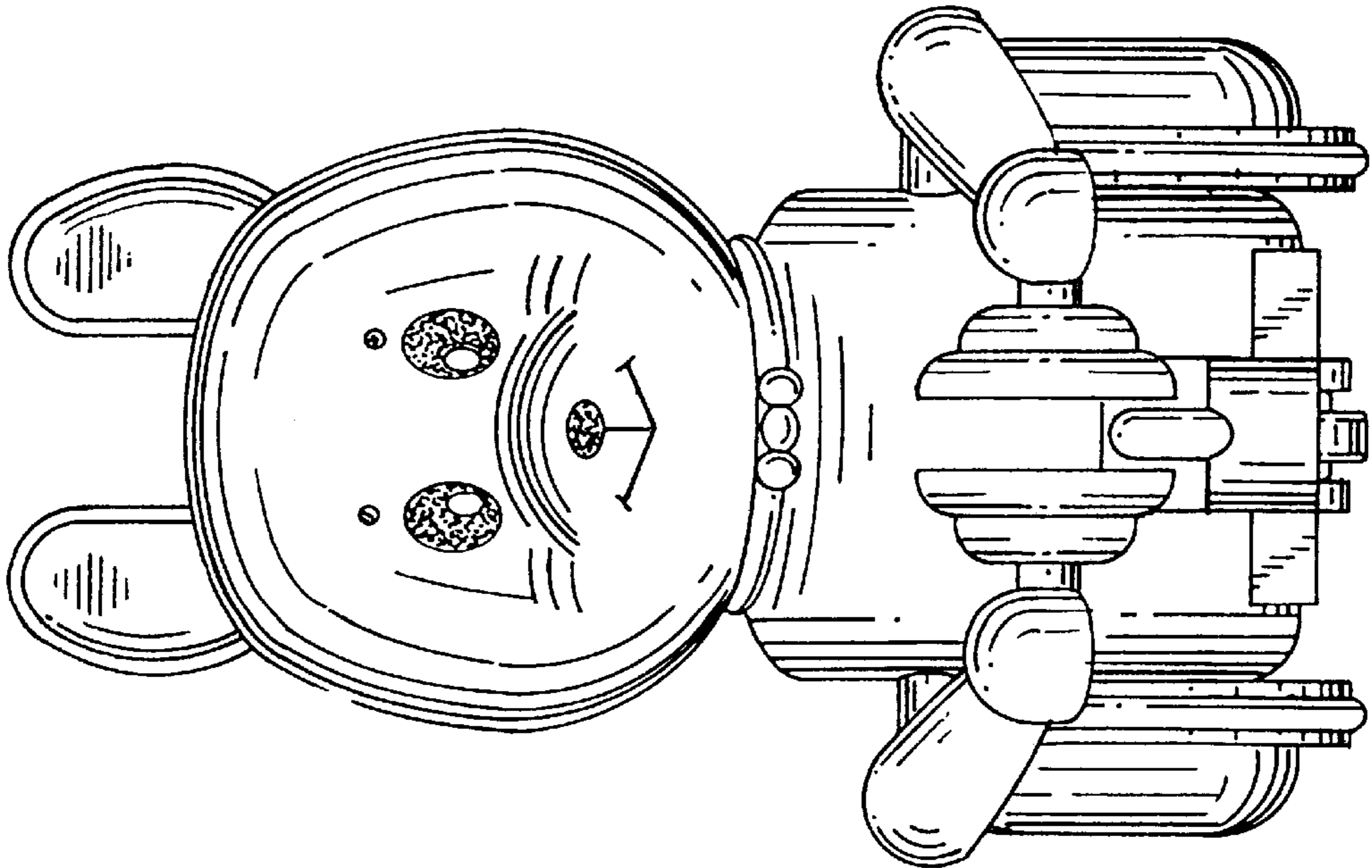


FIG. 4

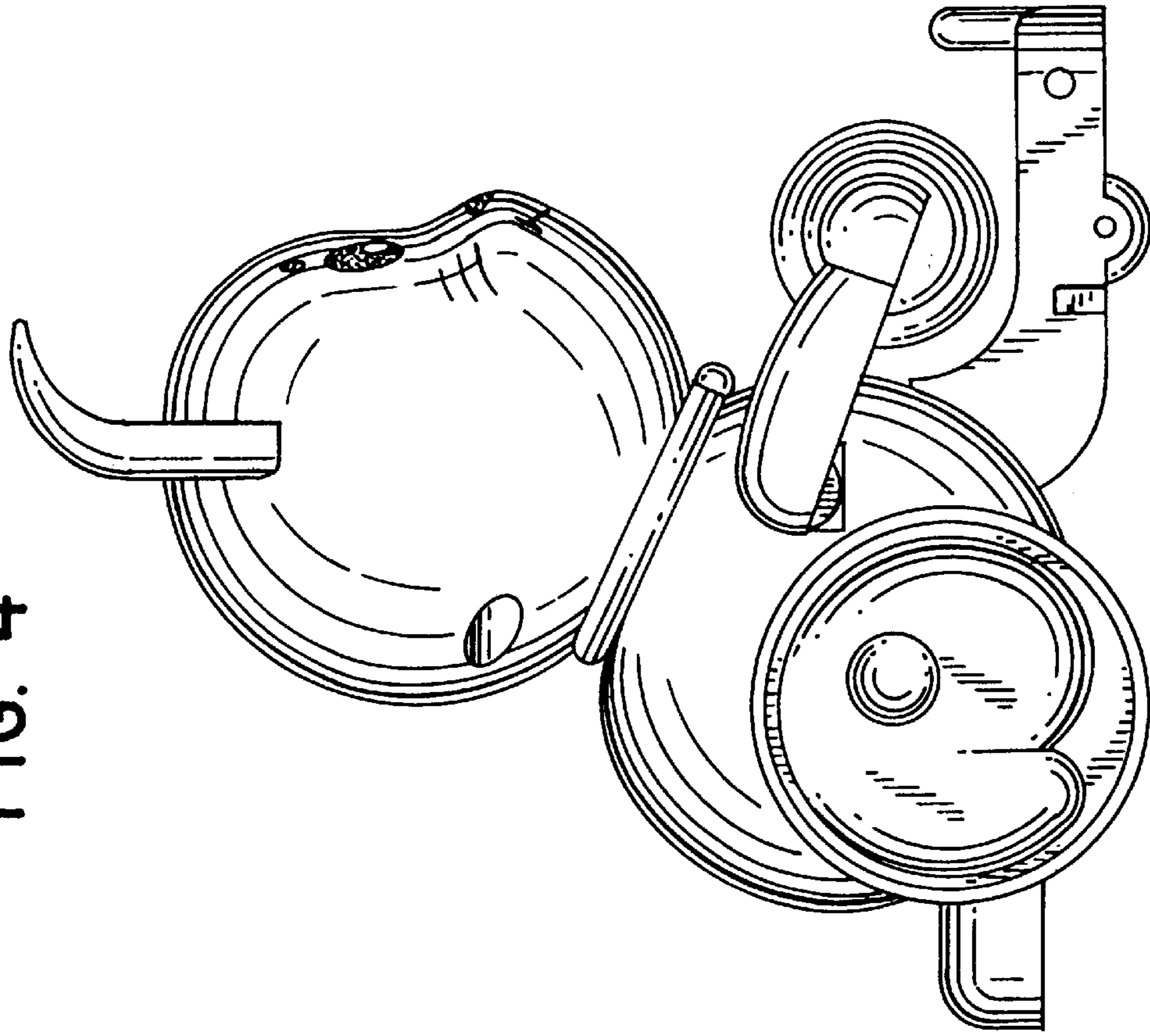


FIG. 3

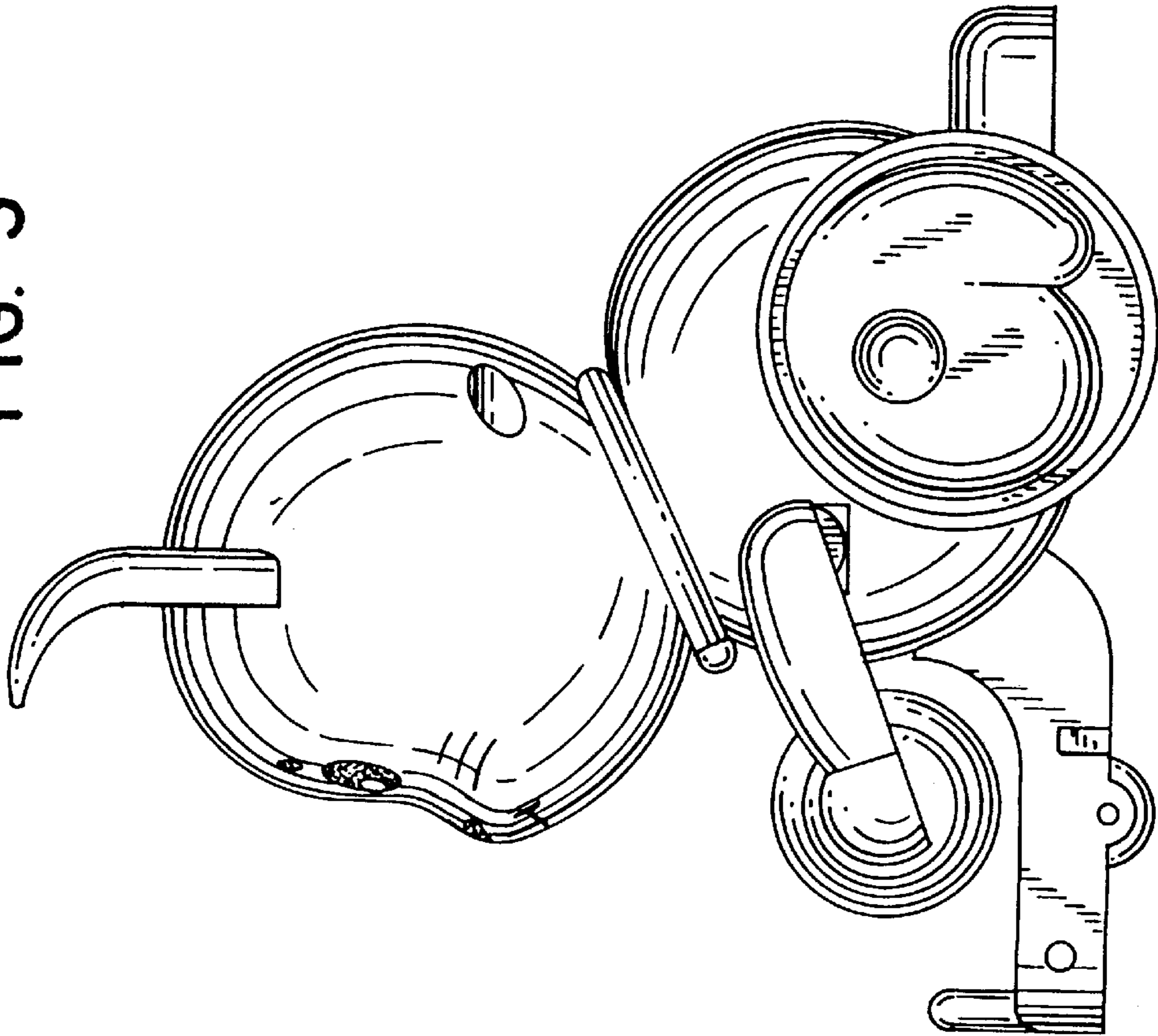




FIG. 5

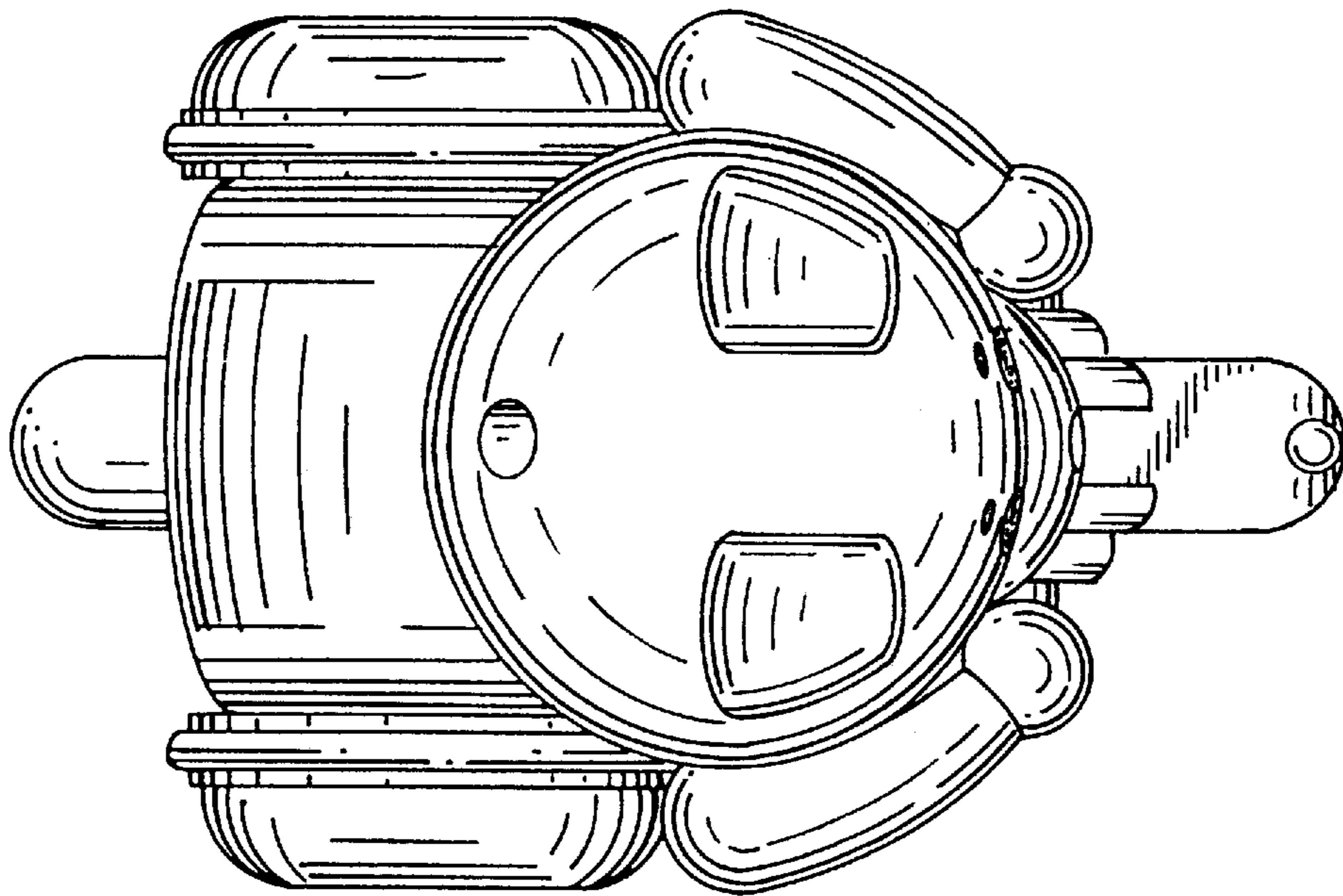


FIG. 6

