



US00D414214S

United States Patent [19]
Yamazaki

[11] **Patent Number: Des. 414,214**

[45] **Date of Patent: ** Sep. 21, 1999**

[54] **TOY FIGURINE**

[75] Inventor: **Tomohiro Yamazaki**, Tokyo, Japan

[73] Assignee: **Tomy Company, Ltd.**, Tokyo, Japan

[**] Term: **14 Years**

[21] Appl. No.: **29/062,748**

[22] Filed: **Nov. 22, 1996**

[30] **Foreign Application Priority Data**

May 23, 1996 [JP] Japan 8-15155

[51] **LOC (6) Cl.** **21-01**

[52] **U.S. Cl.** **D21/150; D21/159**

[58] **Field of Search** D21/148, 150,
D21/151, 159, 161, 187; 446/97, 268, 269,
279, 280, 283, 286, 289, 290, 291, 292,
369

[56] **References Cited**

U.S. PATENT DOCUMENTS

D. 162,513 3/1951 Brice D21/154

D. 206,602 1/1967 Elzaurdia et al. D21/150
D. 261,161 10/1981 Ohkawa D21/159
D. 268,506 4/1983 Tung D21/161
D. 269,535 6/1983 Tung D21/159

OTHER PUBLICATIONS

Playwell 1994 Catalogue. p. 123, Musical Bear Cart, top left.

Primary Examiner—Sandra L. Morris
Attorney, Agent, or Firm—Staas & Halsey

[57] **CLAIM**

The ornamental design for a toy figurine, as shown.

DESCRIPTION

FIG. 1 is a front elevational view of a toy figurine, showing my new design;

FIG. 2 is a rear elevational view thereof;

FIG. 3 is a right side elevational view thereof;

FIG. 4 is a left side elevational view thereof;

FIG. 5 is a top plan view thereof; and,

FIG. 6 is a bottom plan view thereof.

1 Claim, 3 Drawing Sheets

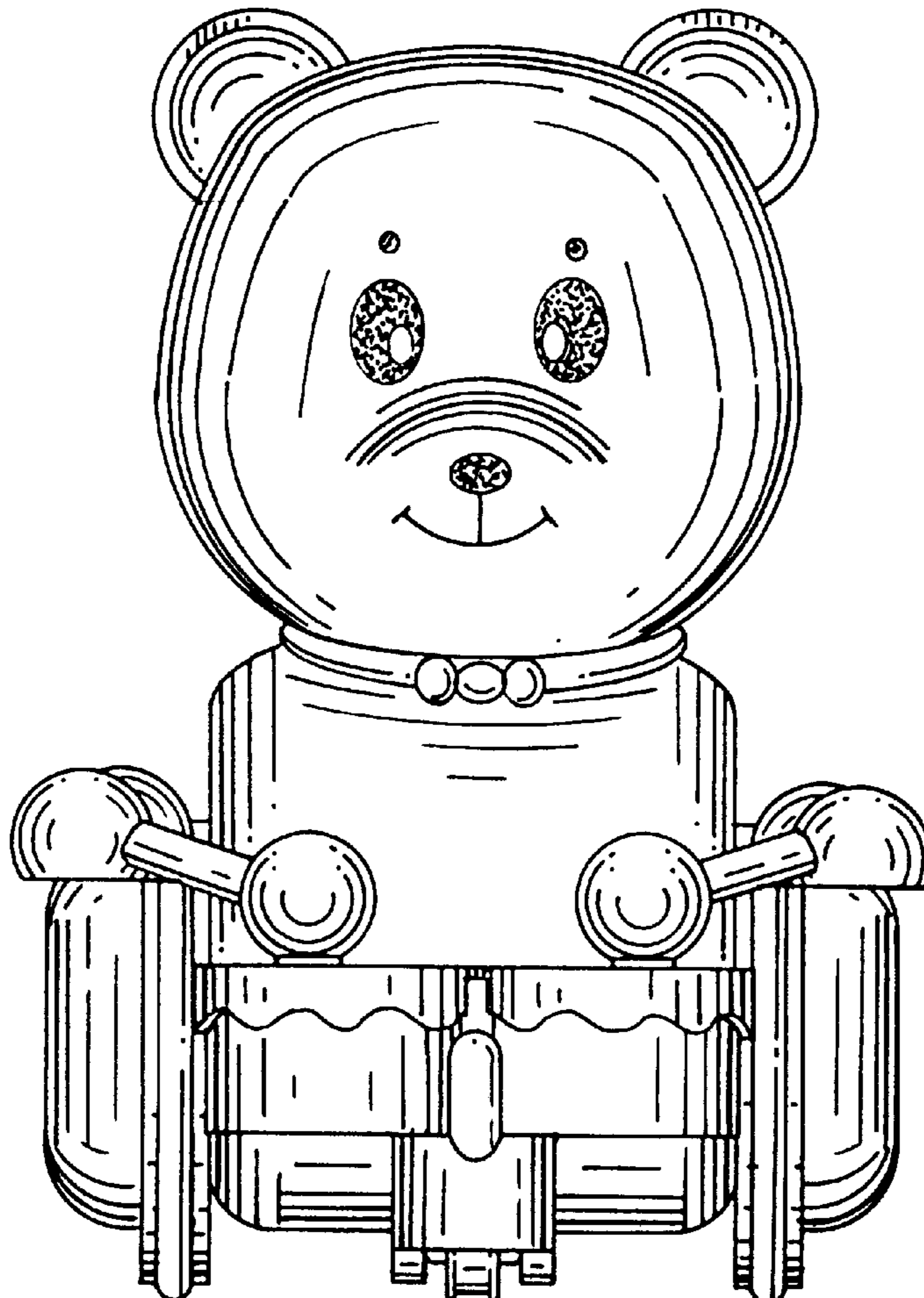


FIG. 2

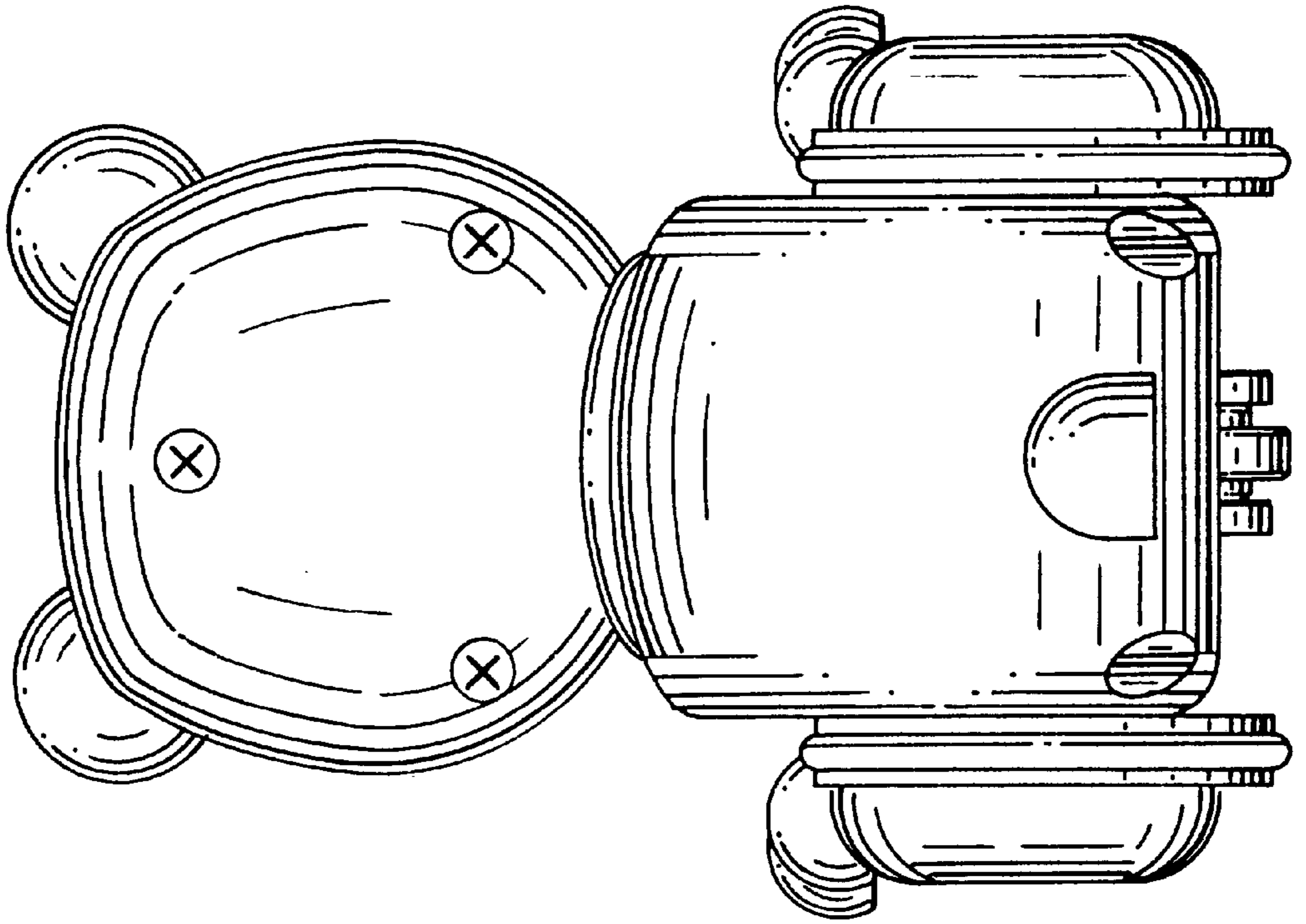


FIG. 1

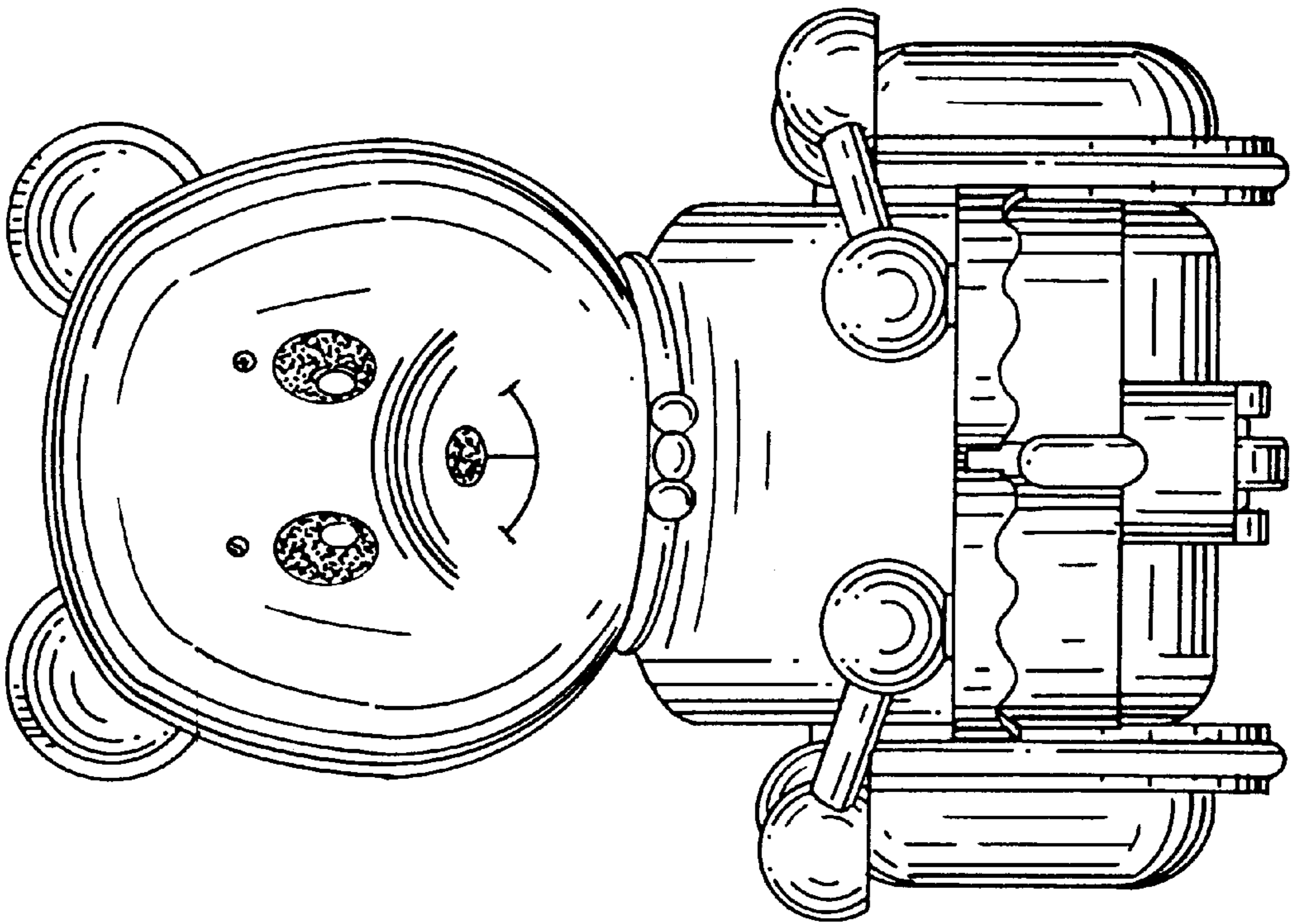


FIG. 4

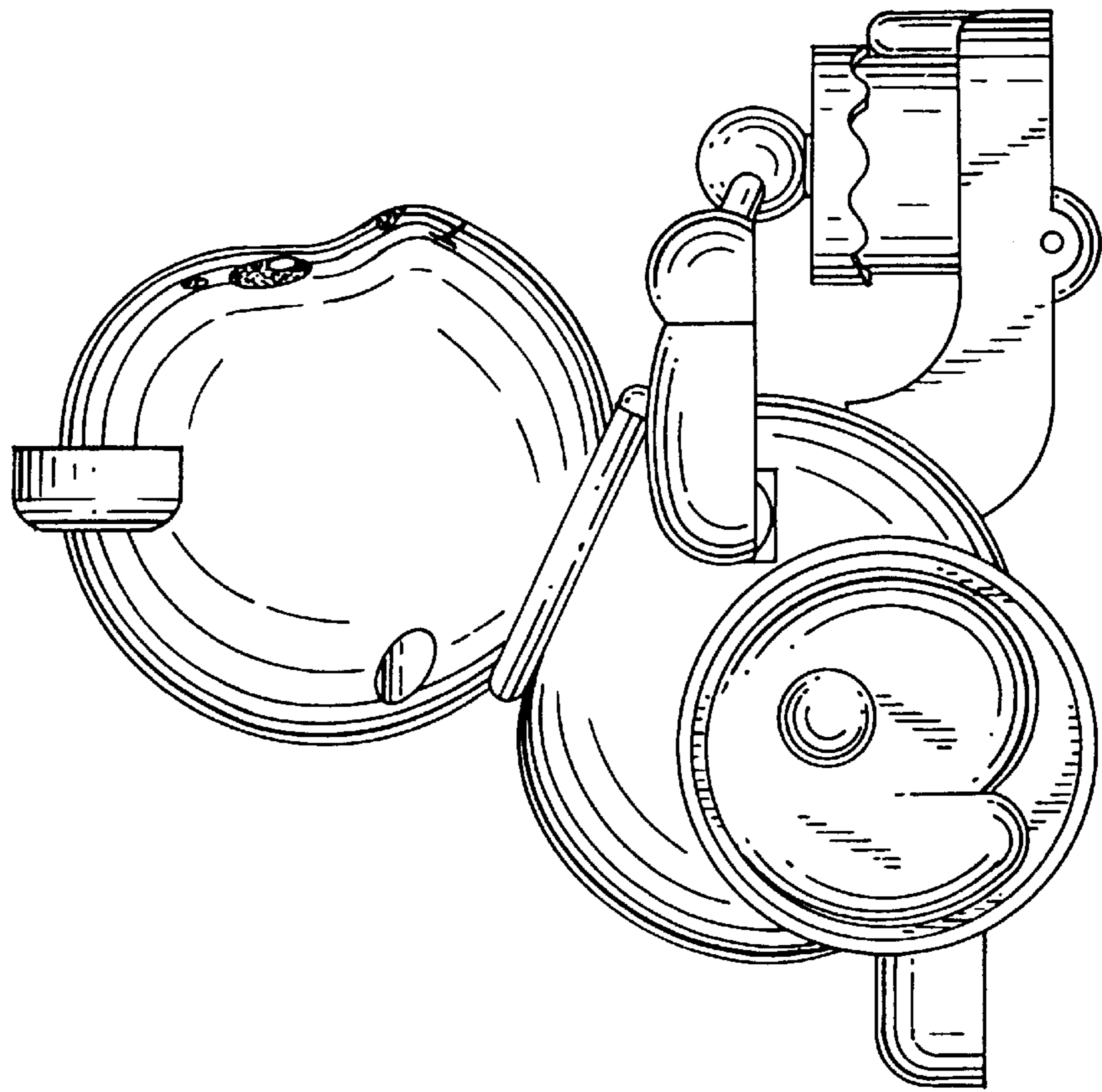


FIG. 3

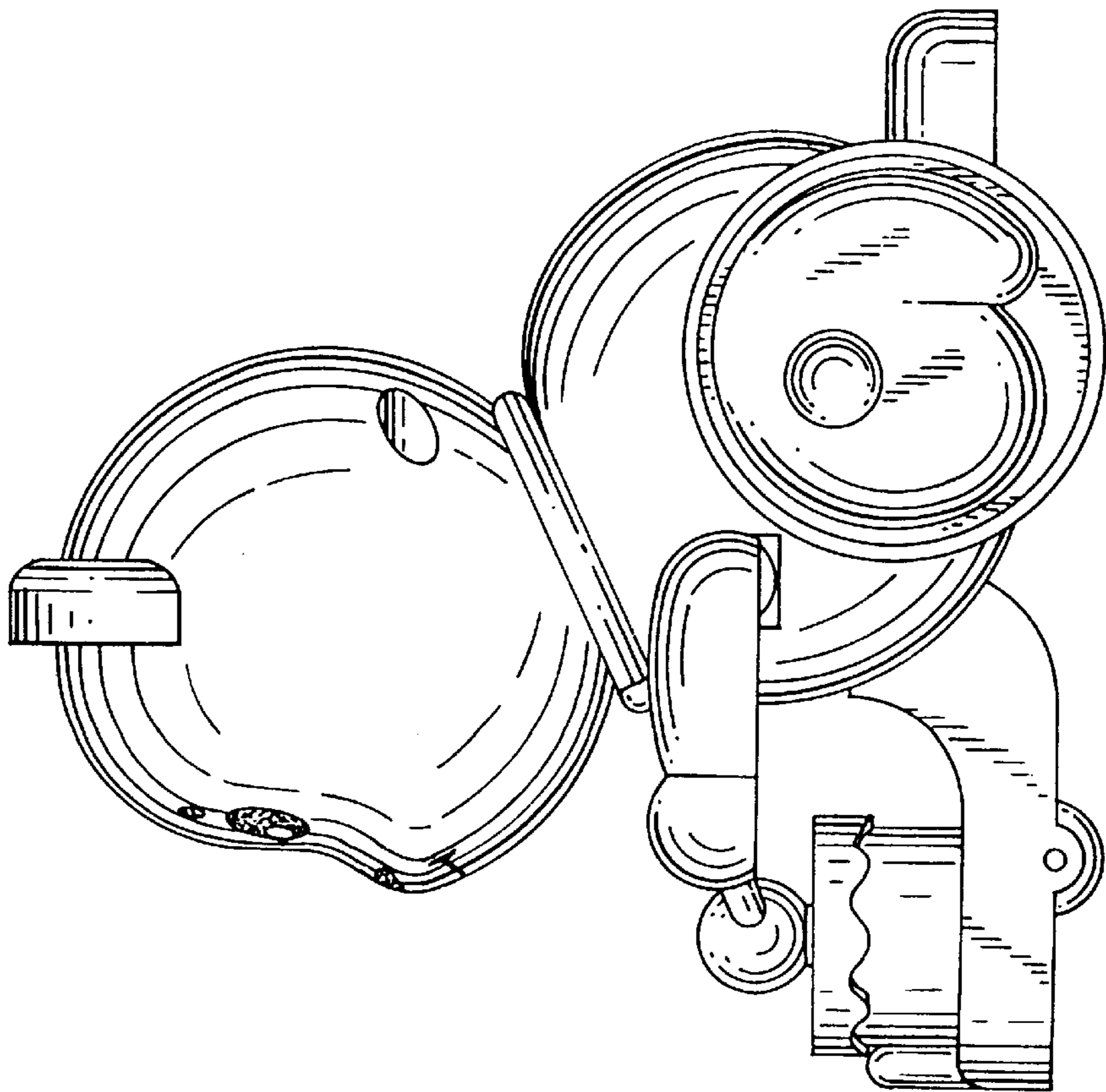


FIG. 5

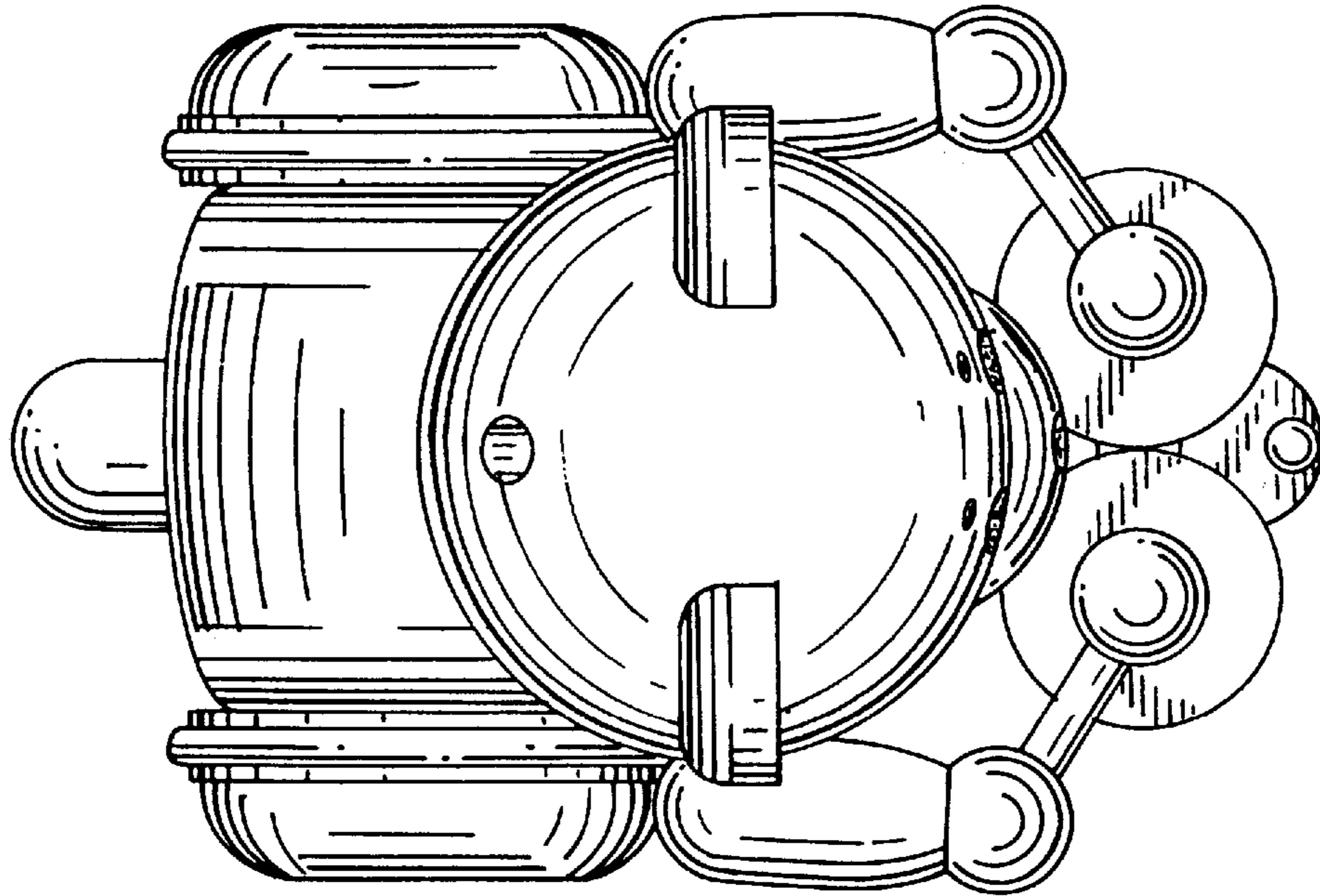


FIG. 6

