



US00D414213S

United States Patent [19]

[11] **Patent Number: Des. 414,213**

Yates

[45] **Date of Patent: ** Sep. 21, 1999**

[54] **SIGN HANGER**

Attorney, Agent, or Firm—Nawrocki, Rooney & Sivertson, P.A.

[76] Inventor: **Salvatore M. Yates**, 2728 E. Franklin Ave., Minneapolis, Minn. 55406

[57] **CLAIM**

[**] Term: **14 Years**

The ornamental design for a sign hanger, as shown and described.

[21] Appl. No.: **29/072,677**

DESCRIPTION

[22] Filed: **Jun. 24, 1997**

[51] **LOC (6) Cl.** **20-02**

FIG. 1 is a perspective view of a sign hanger showing my new design;

[52] **U.S. Cl.** **D20/42**

FIG. 2 is a top plan view thereof;

[58] **Field of Search** 40/604, 607, 660, 40/658, 617, 620, 618, 655, 584; D20/10, 41, 42, 43

FIG. 3 is a front elevational view thereof;

FIG. 4 is a left side elevational view thereof;

FIG. 5 is a right side elevational view thereof;

FIG. 6 is a rear elevational view thereof; and,

FIG. 7 is a bottom plan view thereof.

[56] **References Cited**

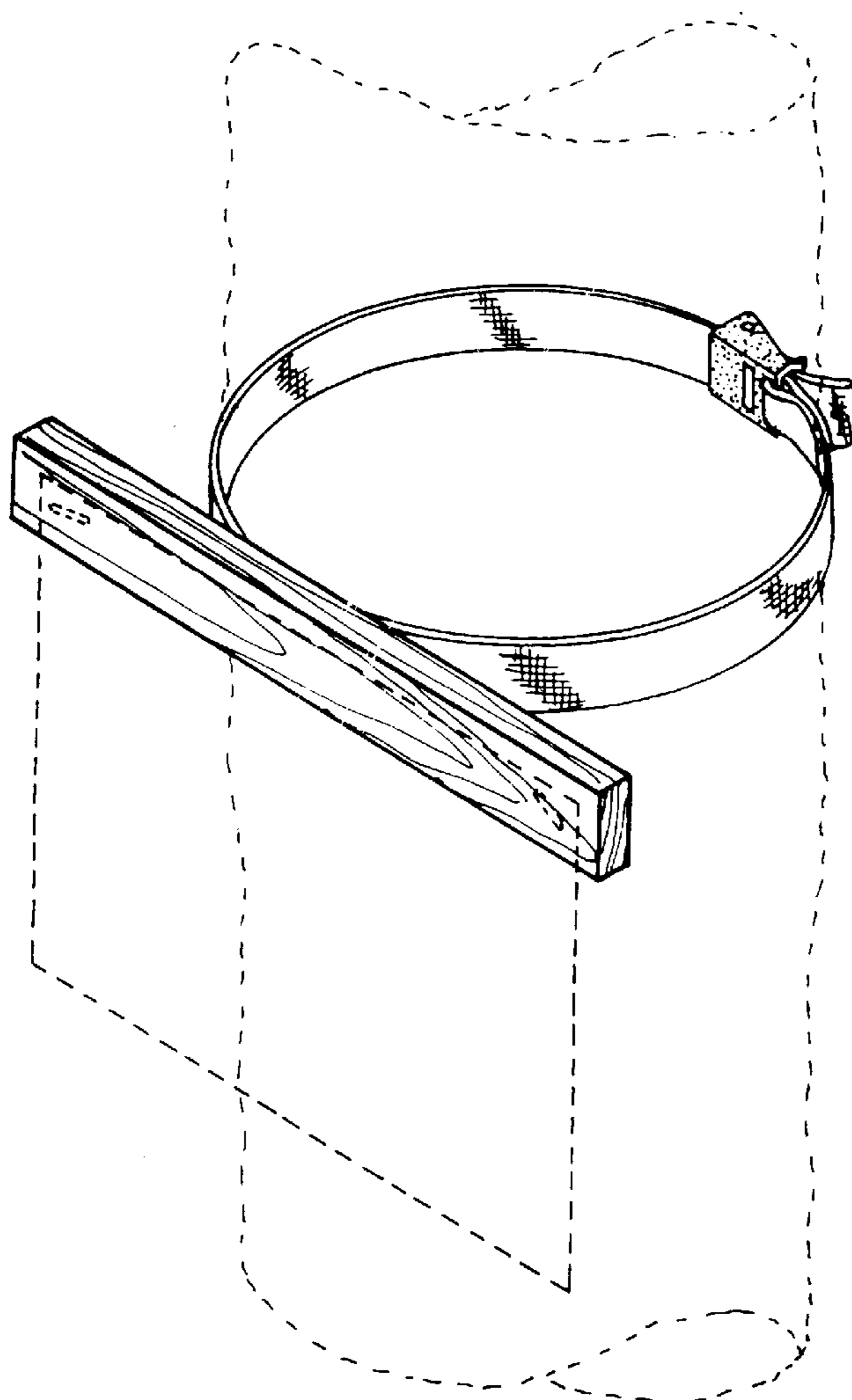
U.S. PATENT DOCUMENTS

4,890,403 1/1990 Dinan 40/604
5,428,913 7/1995 Hillstrom 40/604

The broken lines are shown for illustrative purposes only and form no part of the claimed design.

Primary Examiner—Susan J. Lucas
Assistant Examiner—Jennifer Rivard

1 Claim, 2 Drawing Sheets



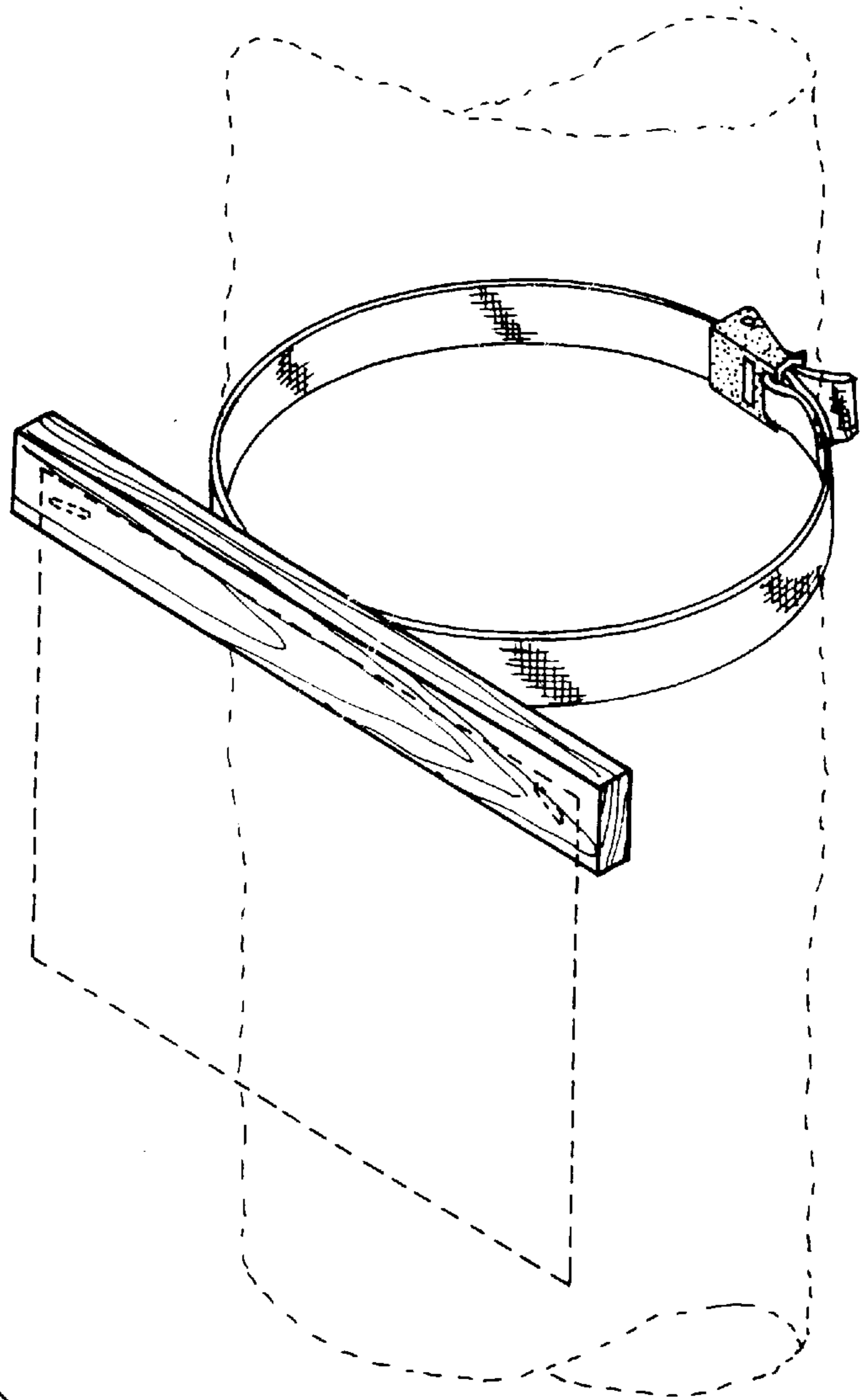


Fig. 1

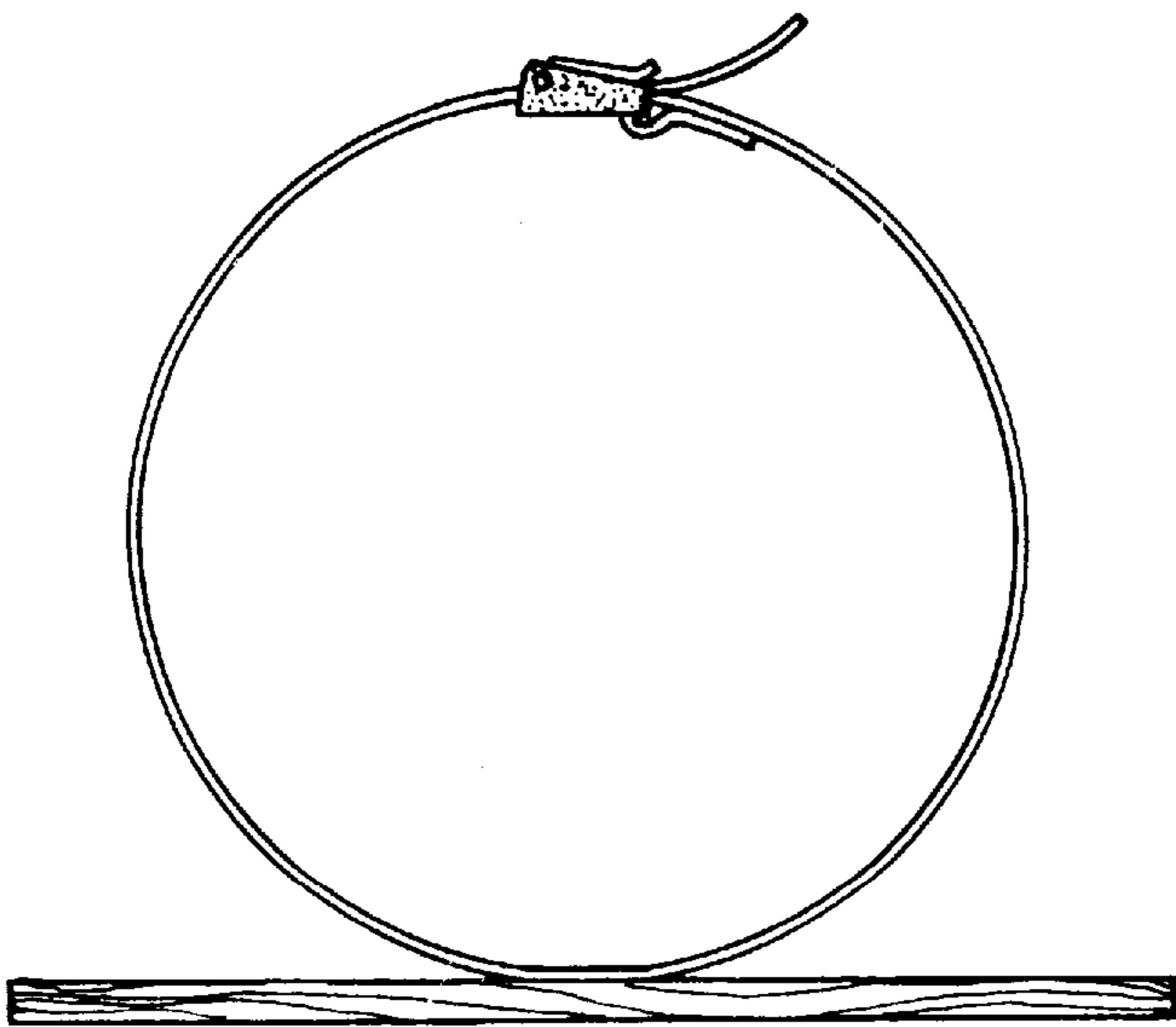


Fig. 2

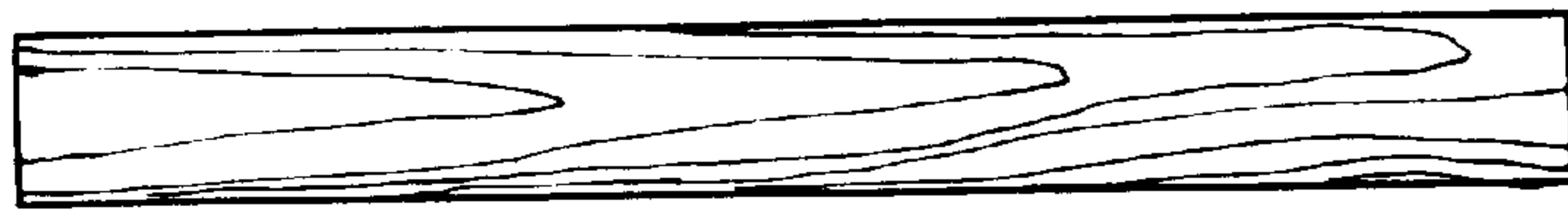


Fig. 3

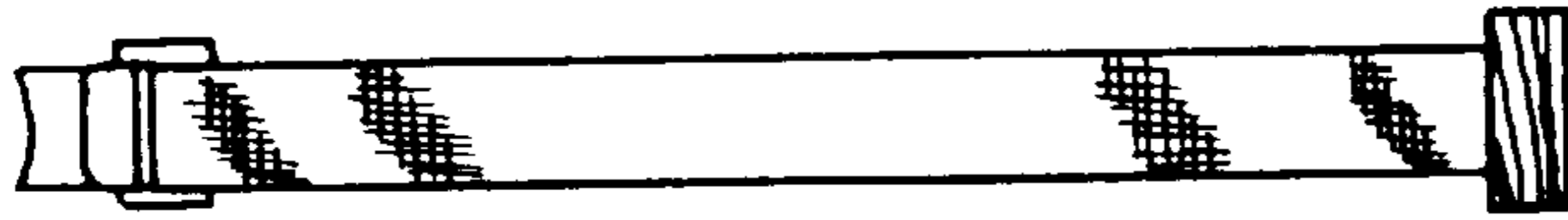


Fig. 4

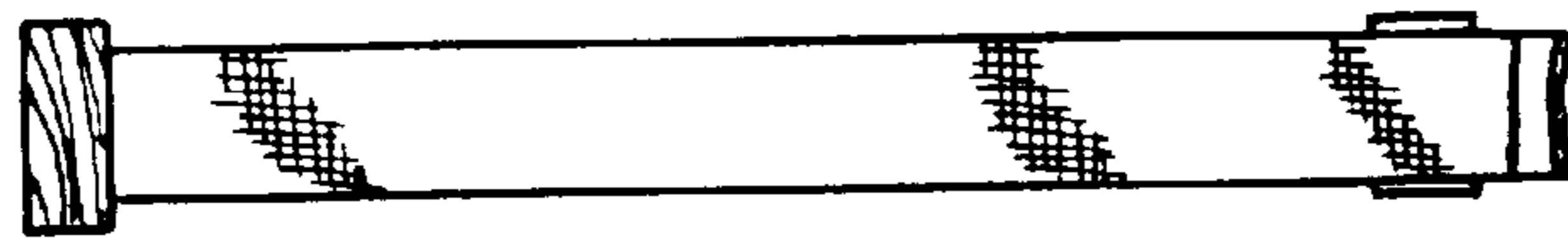


Fig. 5

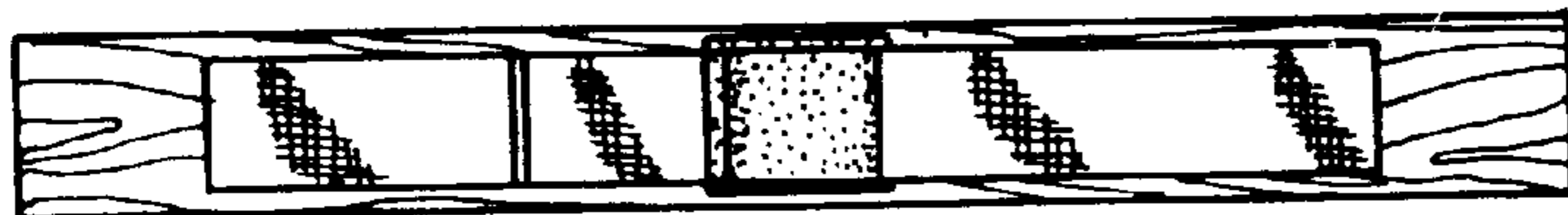


Fig. 6

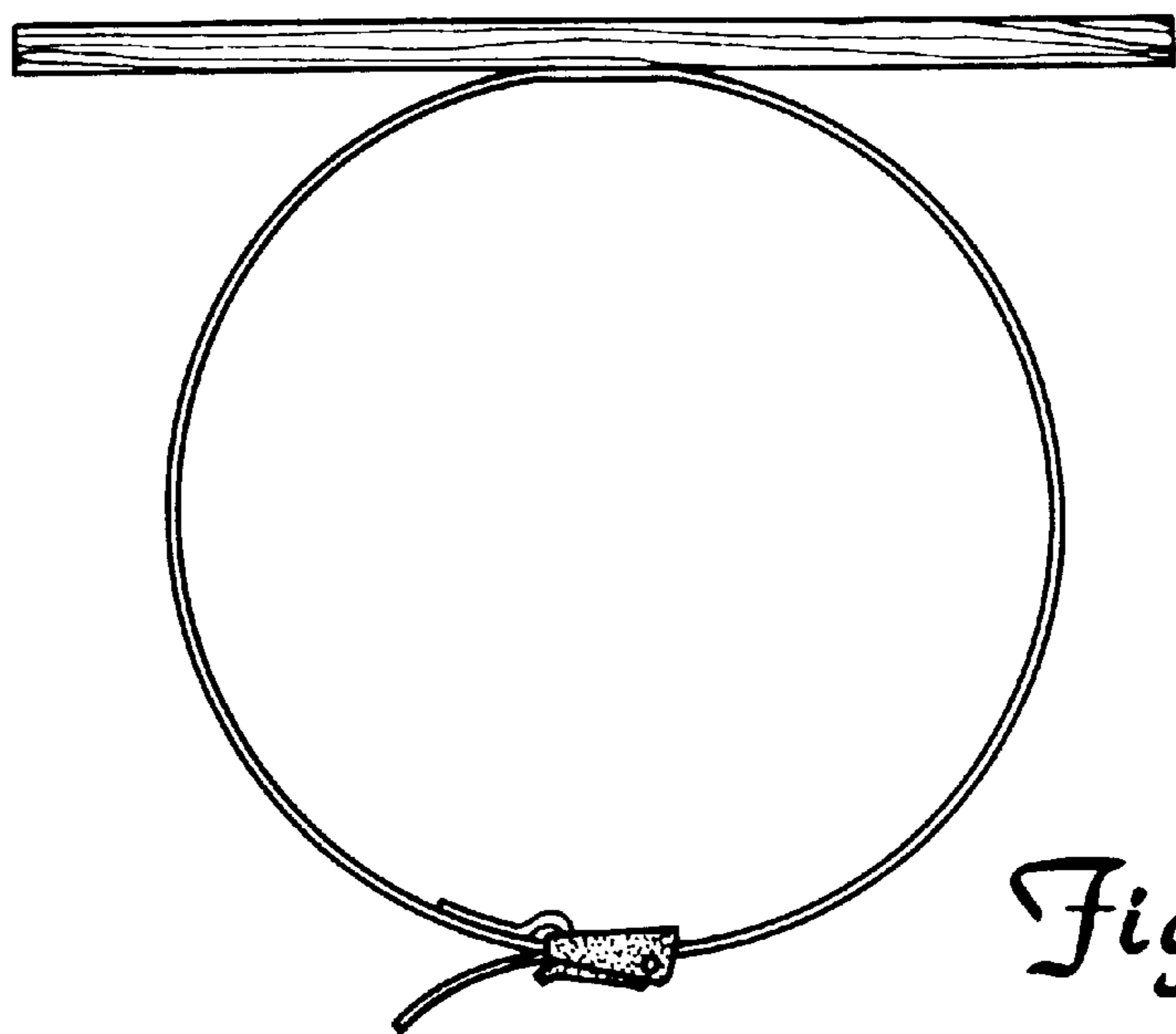


Fig. 7