



US00D414211S

United States Patent [19] Williams

[11] Patent Number: Des. 414,211

[45] Date of Patent: ** Sep. 21, 1999

[54] PAPERBACK HOLDER

5,246,251 9/1993 Evans 281/42
5,797,631 8/1998 Lander 281/42

[75] Inventor: Peter C. Williams, Scottsdale, Ariz.

FOREIGN PATENT DOCUMENTS

[73] Assignee: N.P.G., Inc., Scottsdale, Ariz.

10512 7/1888 United Kingdom .
313767 6/1929 United Kingdom .
2050248 1/1981 United Kingdom .

[**] Term: 14 Years

[21] Appl. No.: 29/098,443

Primary Examiner—Martie K. Holtje
Attorney, Agent, or Firm—Fields and Johnson, P.C.

[22] Filed: Dec. 28, 1998

[57] CLAIM

[51] LOC (6) Cl. 19-02

[52] U.S. Cl. D19/91; D19/34

[58] Field of Search D19/65, 34, 32,
D19/75, 86, 78, 91, 99, 100; 281/42, 45,
51; 116/234, 237; 248/448, 420, 451, 460;
24/336, 67.11

The ornamental design for a “paperback holder,” as shown and described.

DESCRIPTION

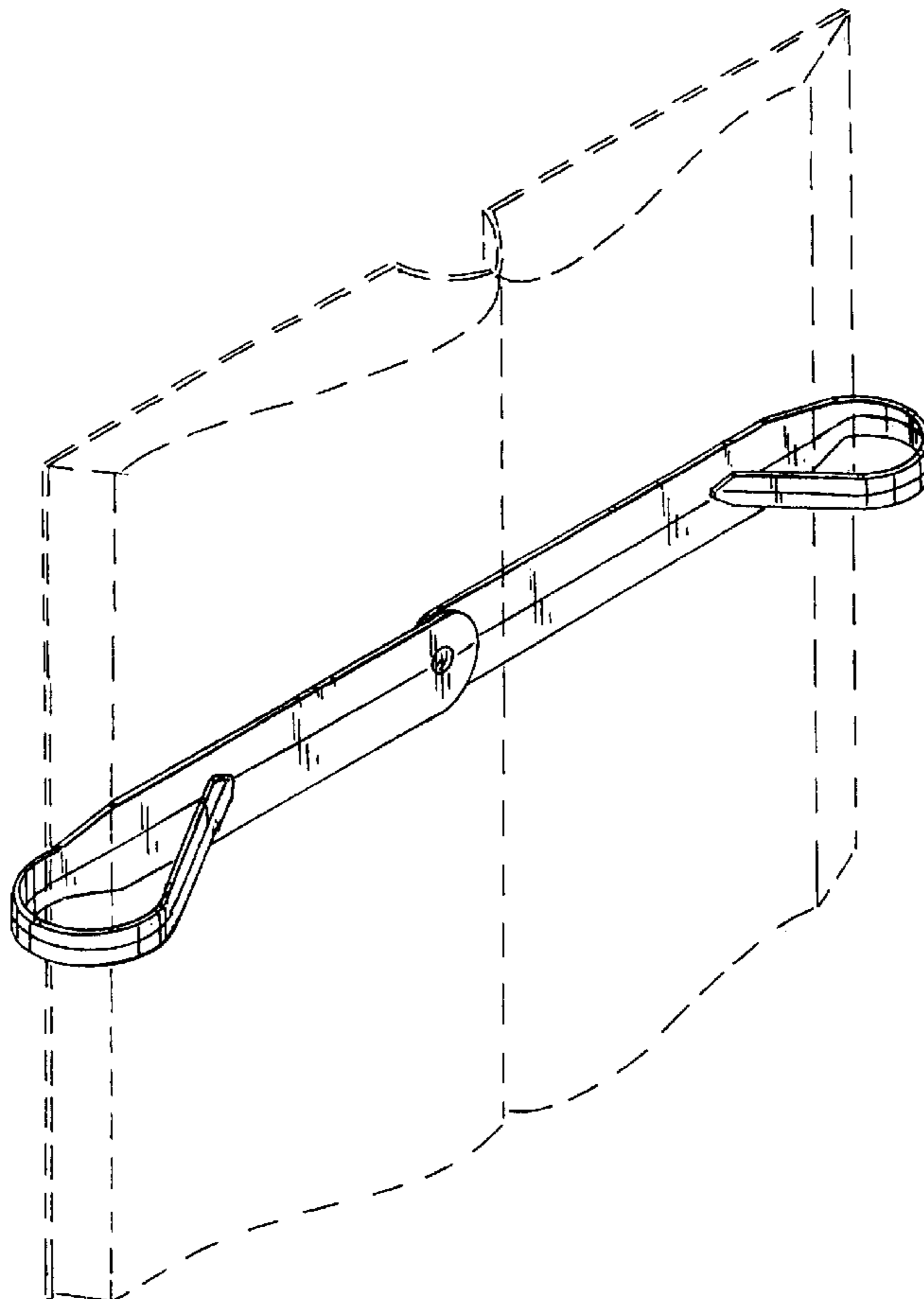
[56] References Cited

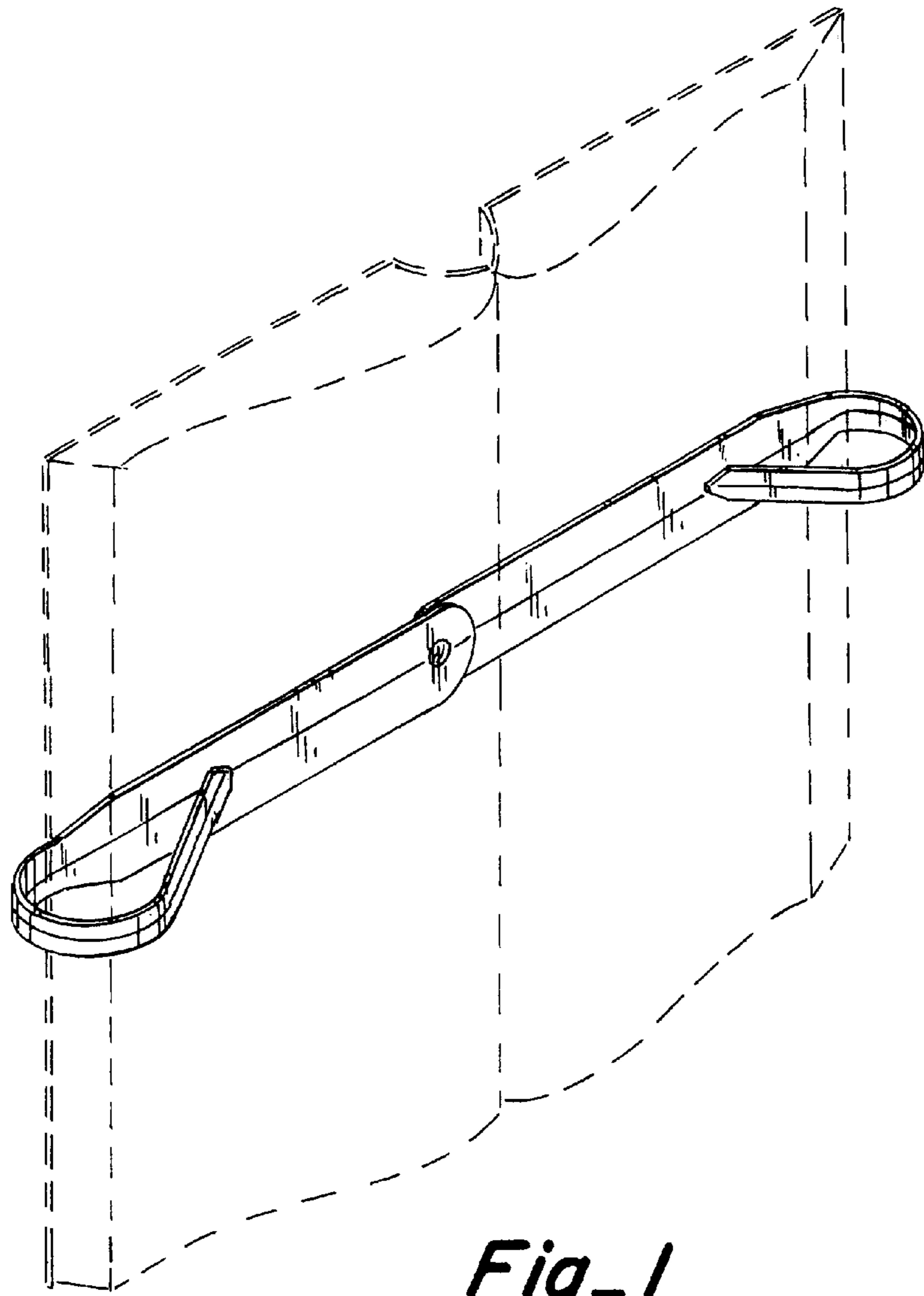
U.S. PATENT DOCUMENTS

D. 341,159	11/1993	Watson et al.	D19/34
393,521	11/1888	Roys	24/67.11
401,662	4/1889	Snow	248/451
3,986,232	10/1976	Teetor	24/67
4,462,614	7/1984	Krause	281/42
4,474,383	10/1984	Kikis	281/45
4,572,546	2/1986	Morrison	281/45
5,165,723	11/1992	Evans	281/42

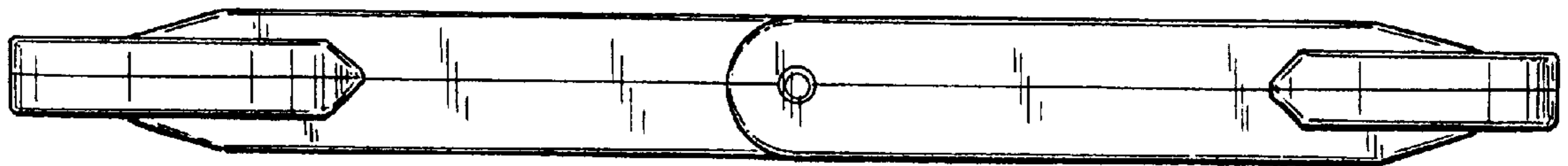
FIG. 1 is a perspective view of a paperback holder showing my new design, the paperback book depicted by means of broken lines being shown for illustrative purposes only and forming no part of the claimed design;
FIG. 2 is a top plan view thereof;
FIG. 3 is a bottom plan view thereof;
FIG. 4 is a side elevational view thereof;
FIG. 5 is a left end view thereof;
FIG. 6 is a right end view thereof; and,
FIG. 7 is a perspective view thereof in a folded position.

1 Claim, 2 Drawing Sheets

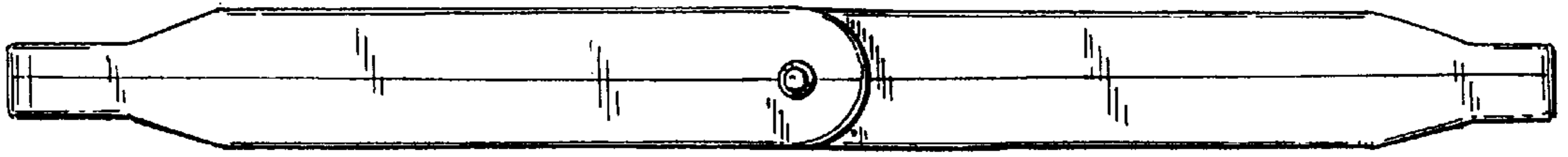




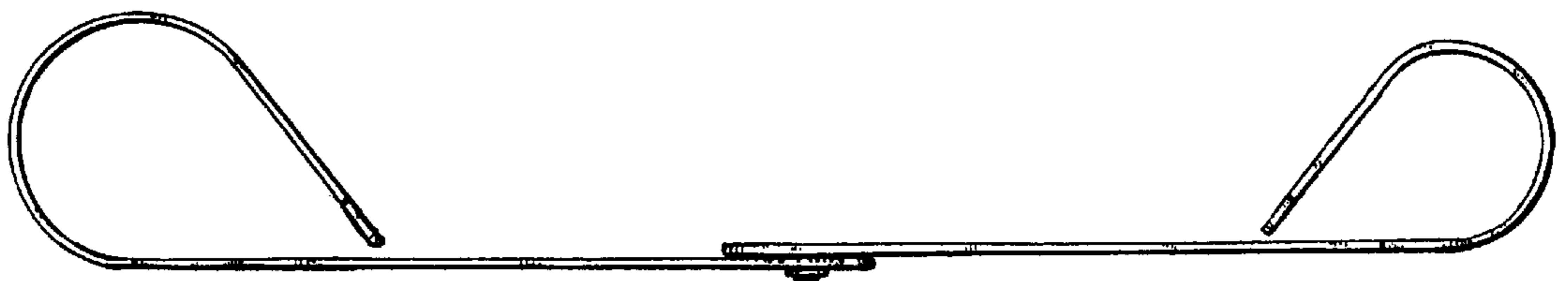
Fig_1



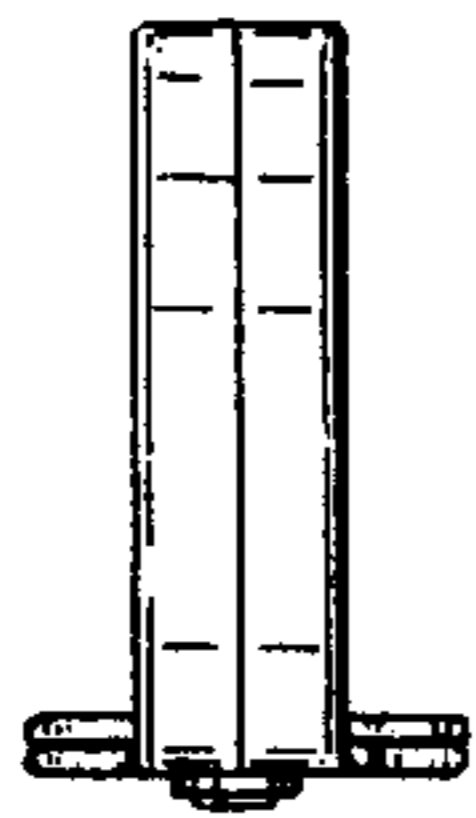
Fig_2



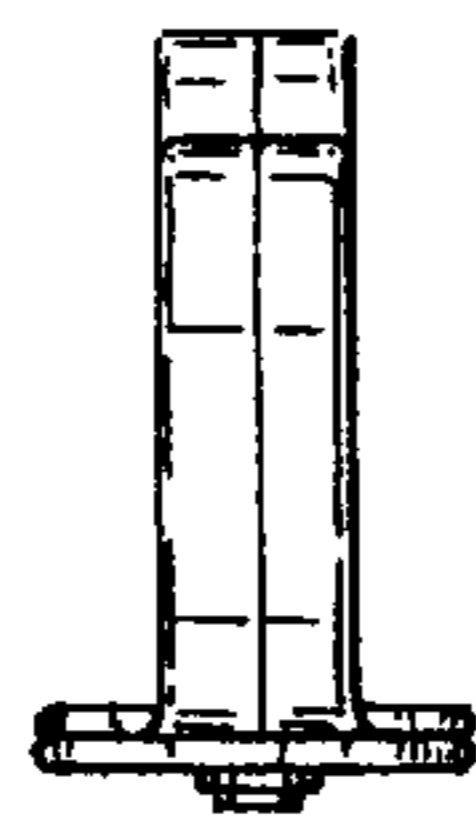
Fig_3



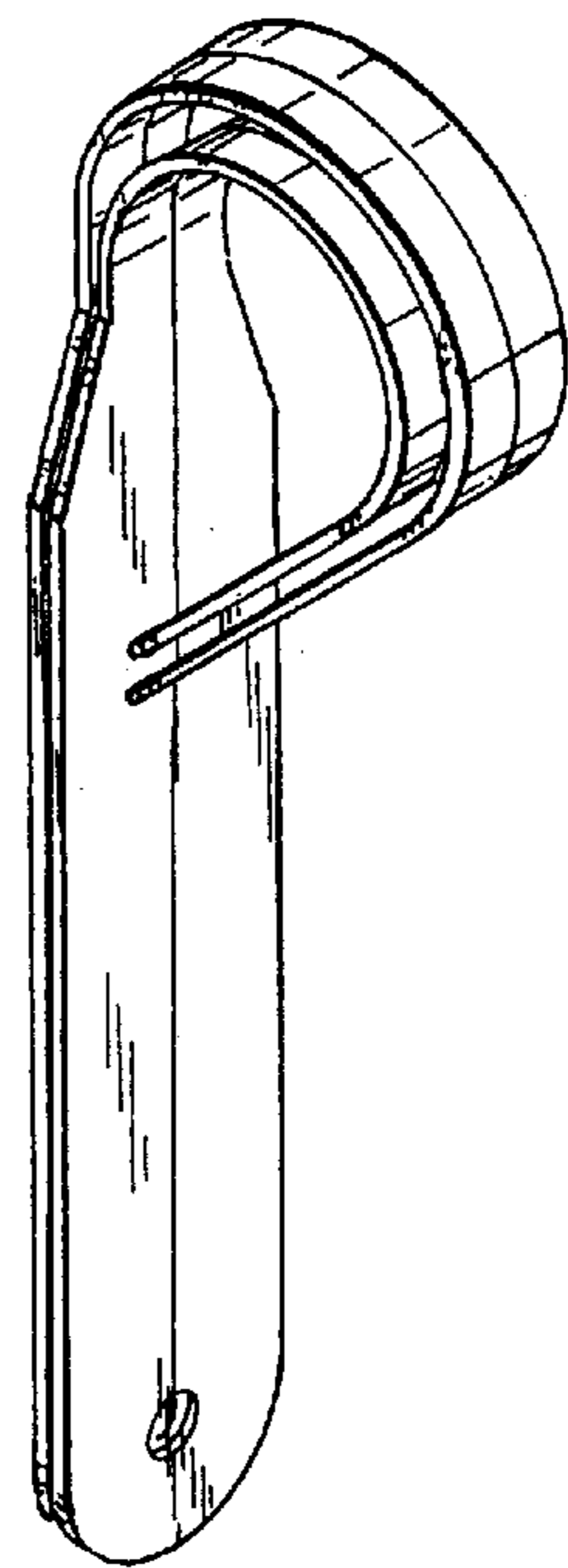
Fig_4



Fig_5



Fig_6



Fig_7