



US00D414210S

United States Patent [19]
Davis

[11] **Patent Number: Des. 414,210**

[45] **Date of Patent: ** Sep. 21, 1999**

[54] **PROMOTIONAL PEN HOLDER**

[76] Inventor: **Doug Davis**, 3100 W. Coast Hwy. #100,
Newport Beach, Calif. 92663

[**] Term: **14 Years**

[21] Appl. No.: **29/092,504**

[22] Filed: **Aug. 20, 1998**

[51] **LOC (6) Cl.** **19-06**

[52] **U.S. Cl.** **D19/85; D6/553**

[58] **Field of Search** D6/552, 553, 567;
D8/71; D19/35, 36, 65, 75, 78, 81-85,
99, 100; 206/214, 371, 224; 211/69, 69.1-69.9,
60.1, 68, 70.2, 70.5, 70.8, 87.1, 89.01;
248/314, 316.7

[56] **References Cited**

U.S. PATENT DOCUMENTS

D. 296,520	7/1988	Spinetta	D6/553 X
D. 304,656	11/1989	Hancock	D6/553
D. 354,988	1/1995	Garza	D19/85
D. 392,142	3/1998	Weisburn et al.	D6/553 X
1,719,360	7/1929	Deike	211/68

2,028,694	1/1936	Spinks	211/65
4,219,178	8/1980	Assion	248/314
4,650,069	3/1987	Linton	211/69.1 X
5,820,095	10/1998	Stone	248/316.7

Primary Examiner—Martie K. Holtje
Attorney, Agent, or Firm—Eric Karich

[57] **CLAIM**

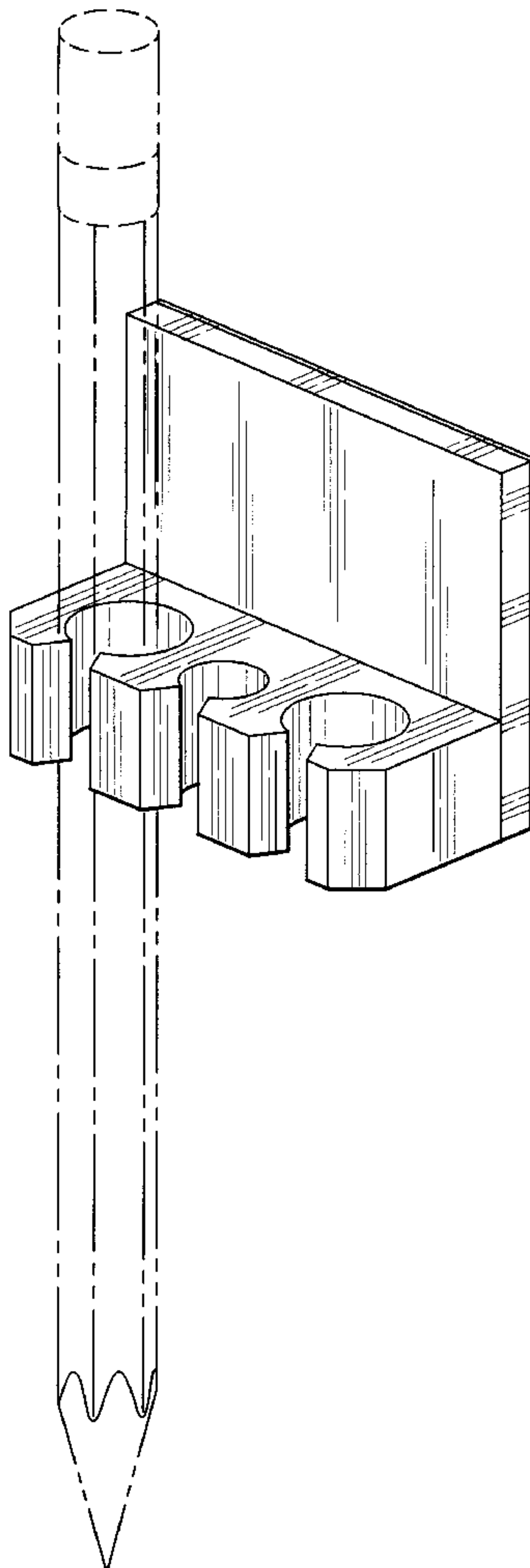
The ornamental design for a “promotional pen holder,” as shown and described.

DESCRIPTION

FIG. 1 is a perspective view of a promotional pen holder, showing my new design;
FIG. 2 is a left side elevation view thereof, the right side elevation view being a mirror image thereof;
FIG. 3 is a front elevational view thereof;
FIG. 4 is a rear elevational view thereof;
FIG. 5 is a top plan view thereof; and,
FIG. 6 is a bottom plan view thereof.

The writing instrument depicted by means of broken lines in FIG. 1 has been shown for illustrative purposes only and forms no part of the claimed design.

1 Claim, 2 Drawing Sheets



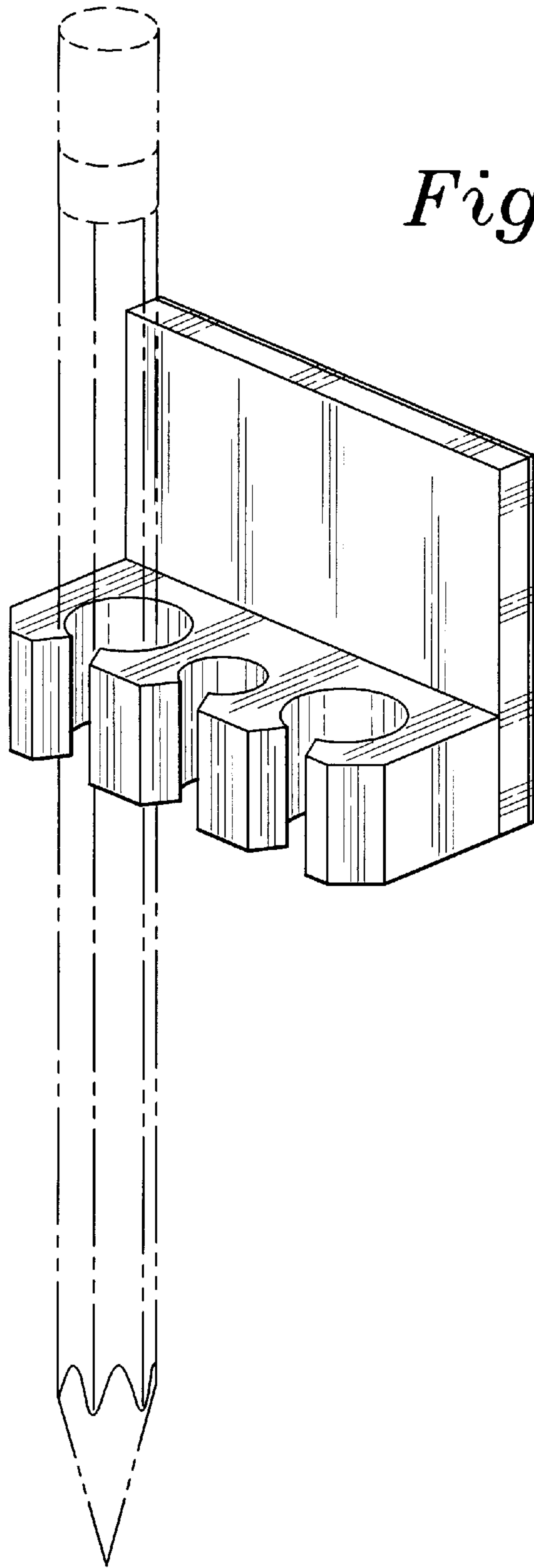


Fig. 1

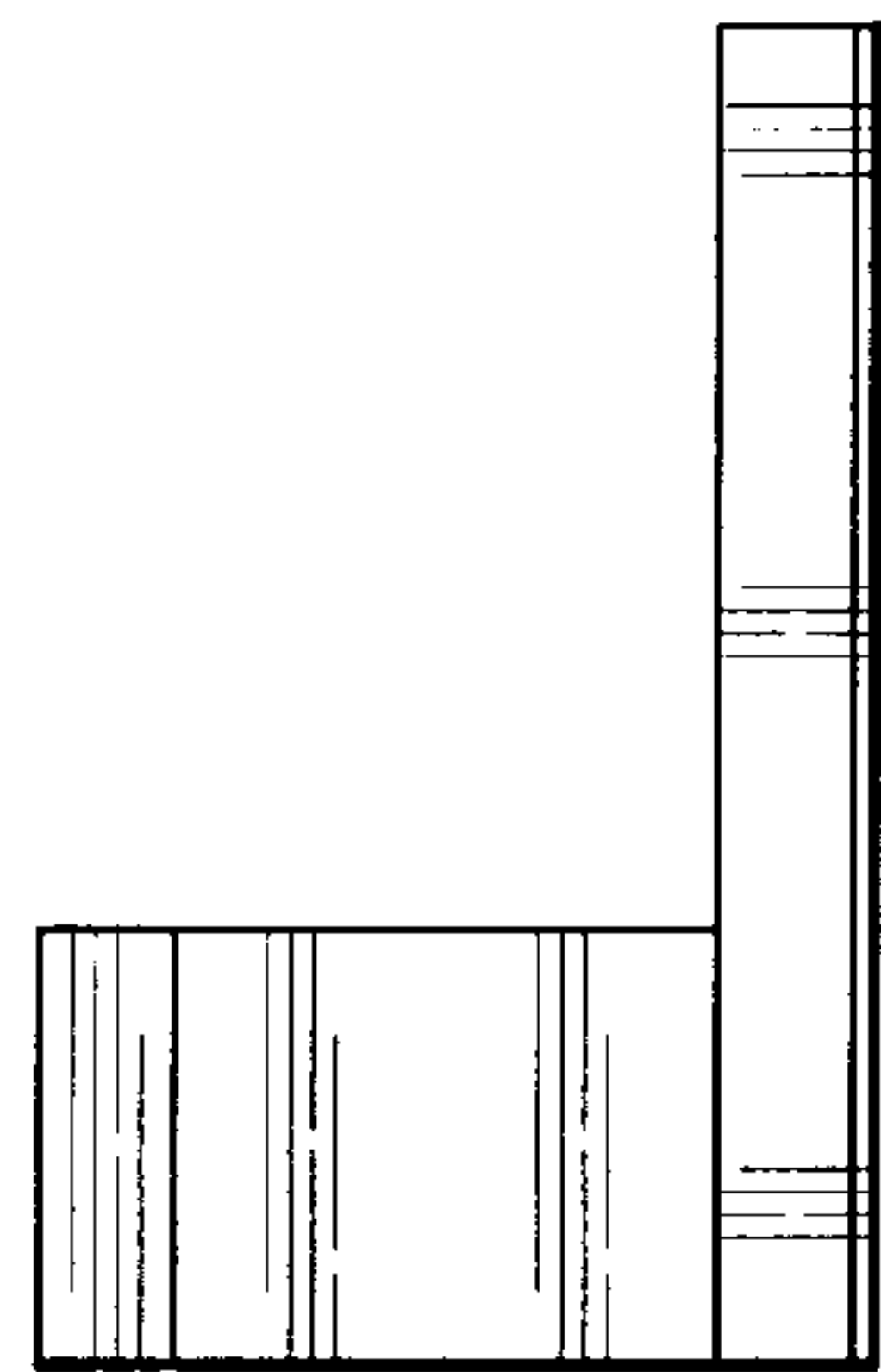


Fig. 2

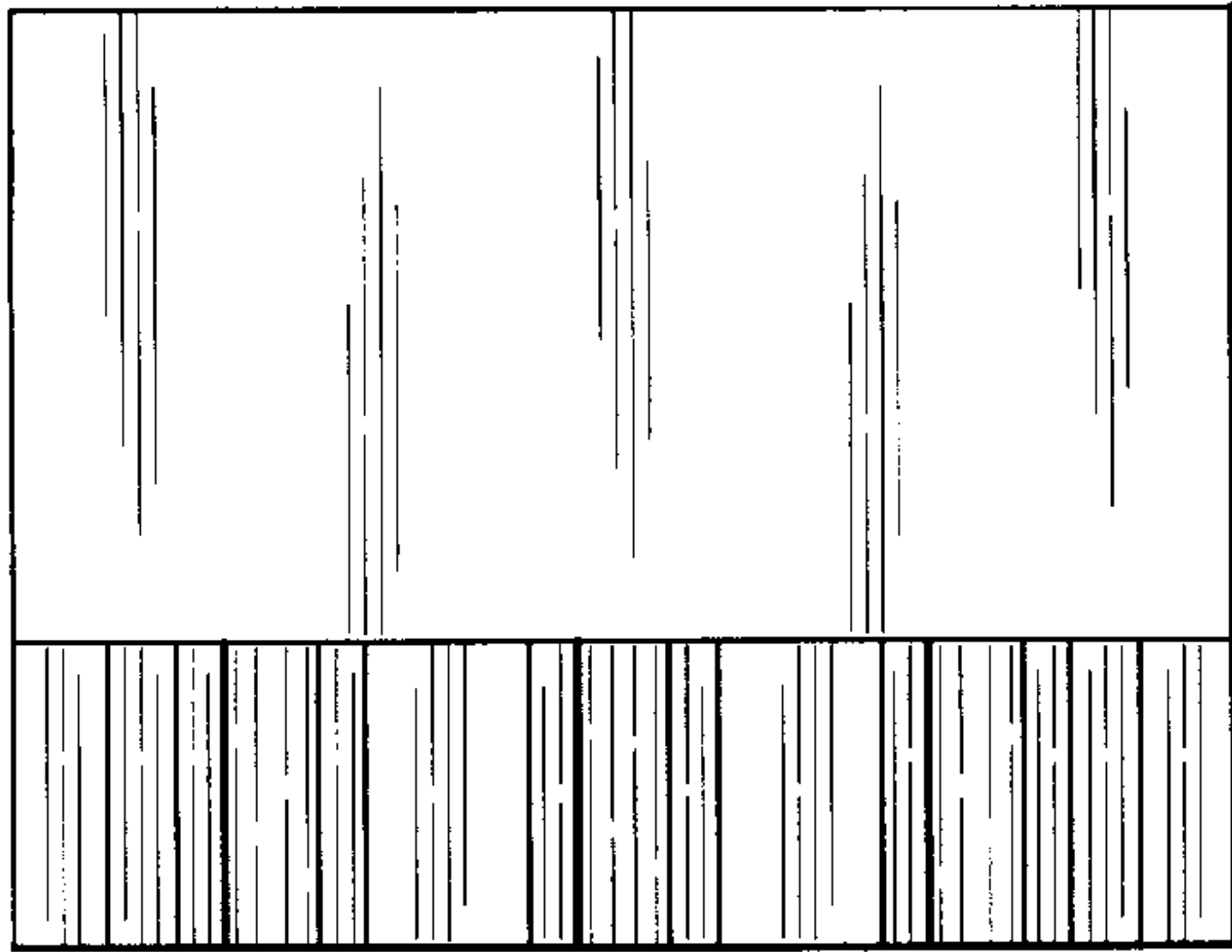


Fig. 3

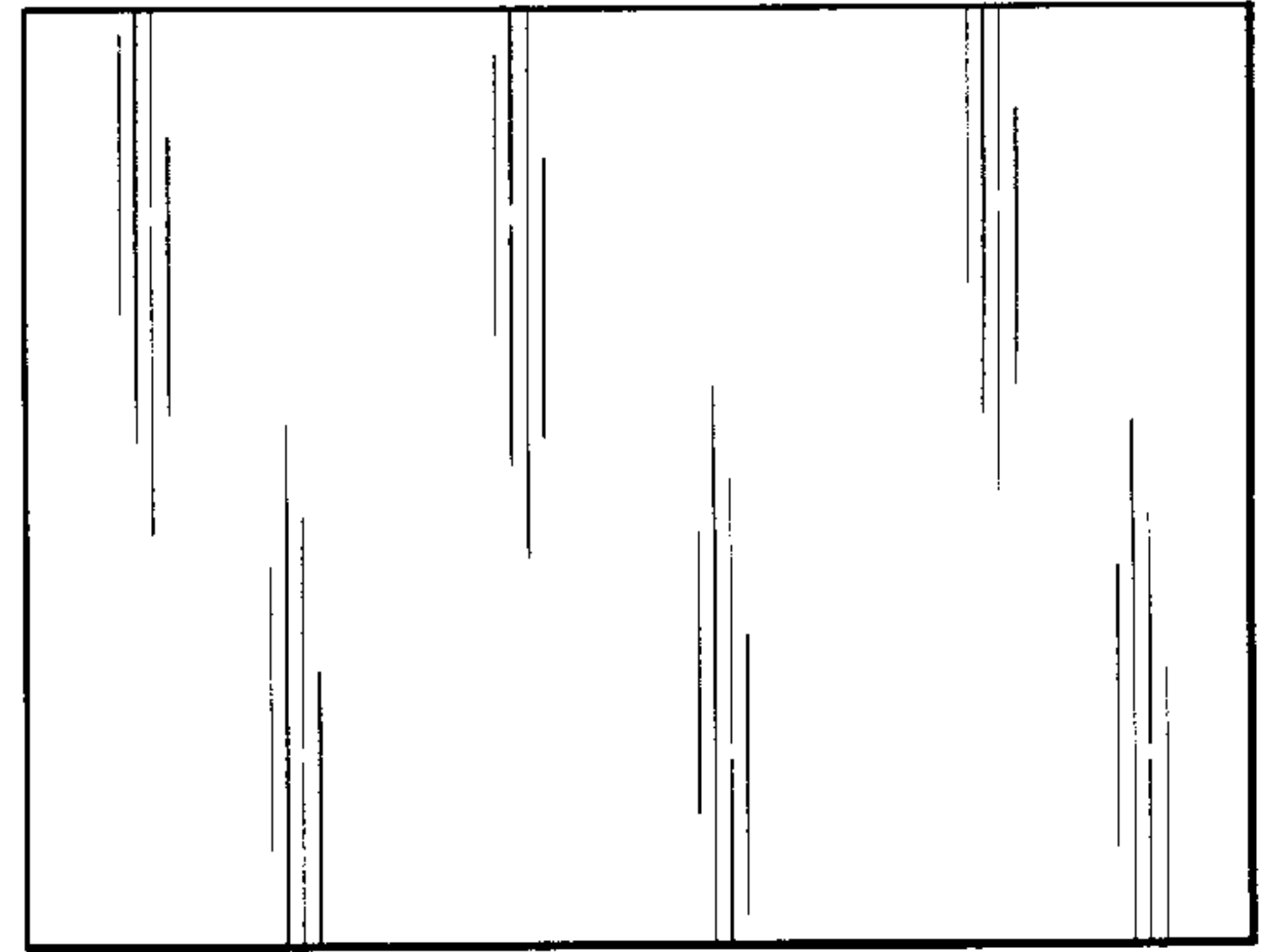


Fig. 4

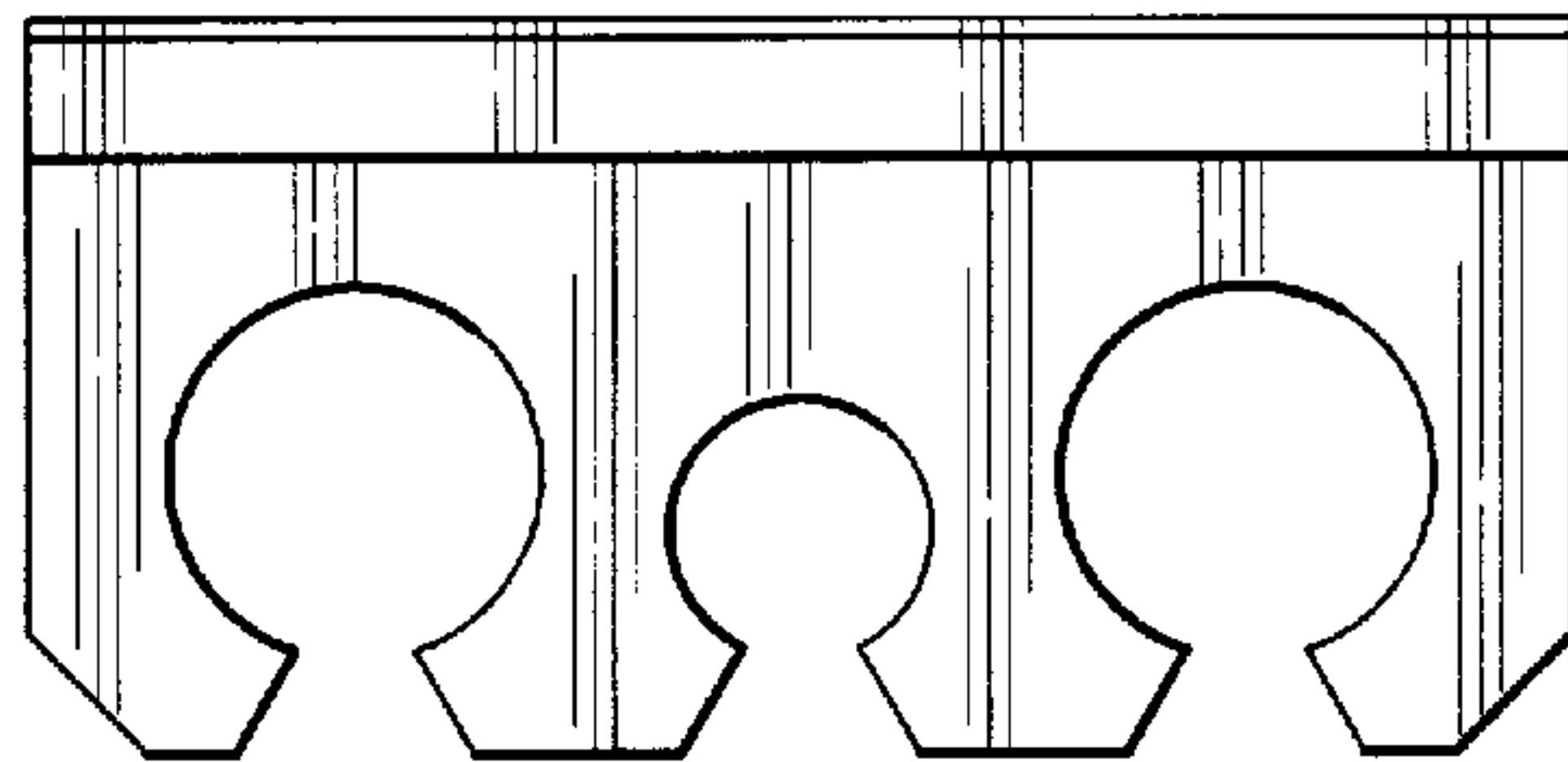


Fig. 5

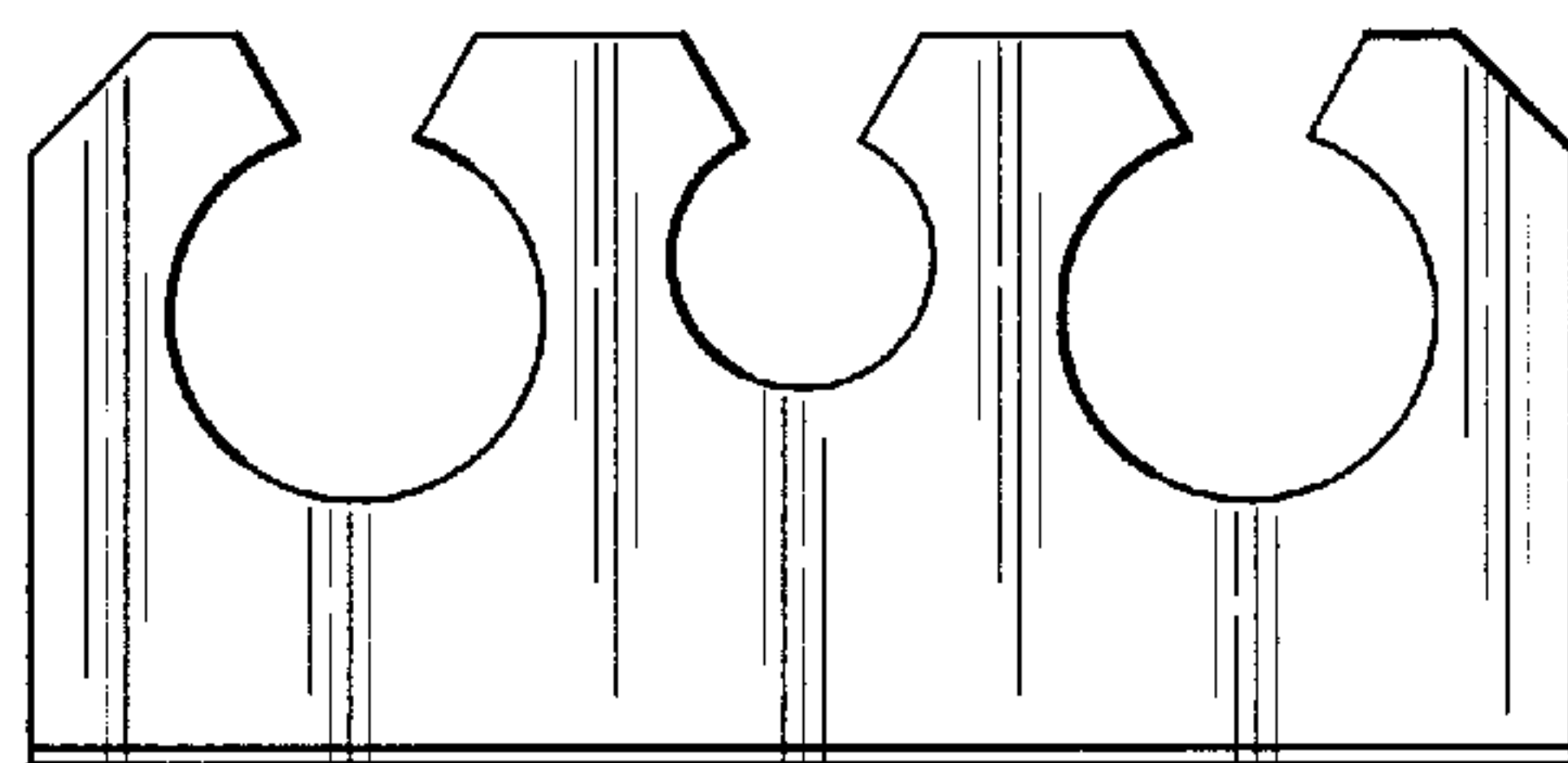


Fig. 6