



US00D414207S

United States Patent [19]

Wagner et al.

[11] Patent Number: **Des. 414,207**

[45] Date of Patent: **** Sep. 21, 1999**

[54] **PUSH PIN**

[75] Inventors: **David Wagner**, 800 Bromley Rd., Charlotte, N.C. 28207; **Christa Wagner**, Charlotte, N.C.

[73] Assignee: **David Wagner**, Charlotte, N.C.

[**] Term: **14 Years**

[21] Appl. No.: **29/081,626**

[22] Filed: **Jan. 7, 1998**

[51] **LOC (6) Cl.** **19-02**

[52] **U.S. Cl.** **D19/65; D8/388; D8/391**

[58] **Field of Search** D8/349, 382, 388, D8/389, 390, 391, 392, 393; D19/65, 99, 100, 86; 411/439, 473, 480-488, 500; 24/706, 711.4, 711.3; 472/51; 52/157

[56] **References Cited**

U.S. PATENT DOCUMENTS

112,378	3/1871	Porter .	
D. 149,099	3/1948	Sweet	D8/391
D. 188,950	10/1960	Miller	D8/388
D. 243,580	3/1977	DeCaro	D8/388
482,257	9/1892	Larkin	24/711.3
816,095	3/1906	House .	
1,182,305	5/1916	Norcross .	
1,207,960	12/1916	McNeill	24/711.4
1,338,154	4/1920	Pipkin .	
1,991,561	2/1935	Krantz	411/473

2,266,432	12/1941	Morin .	
3,205,757	9/1965	Kuennen .	
3,361,461	1/1968	MacPhail .	
5,370,487	12/1994	Kracke .	
5,575,122	11/1996	Hamilton et al.	52/157

Primary Examiner—Martie K. Holtje
Attorney, Agent, or Firm—Alston & Bird LLP

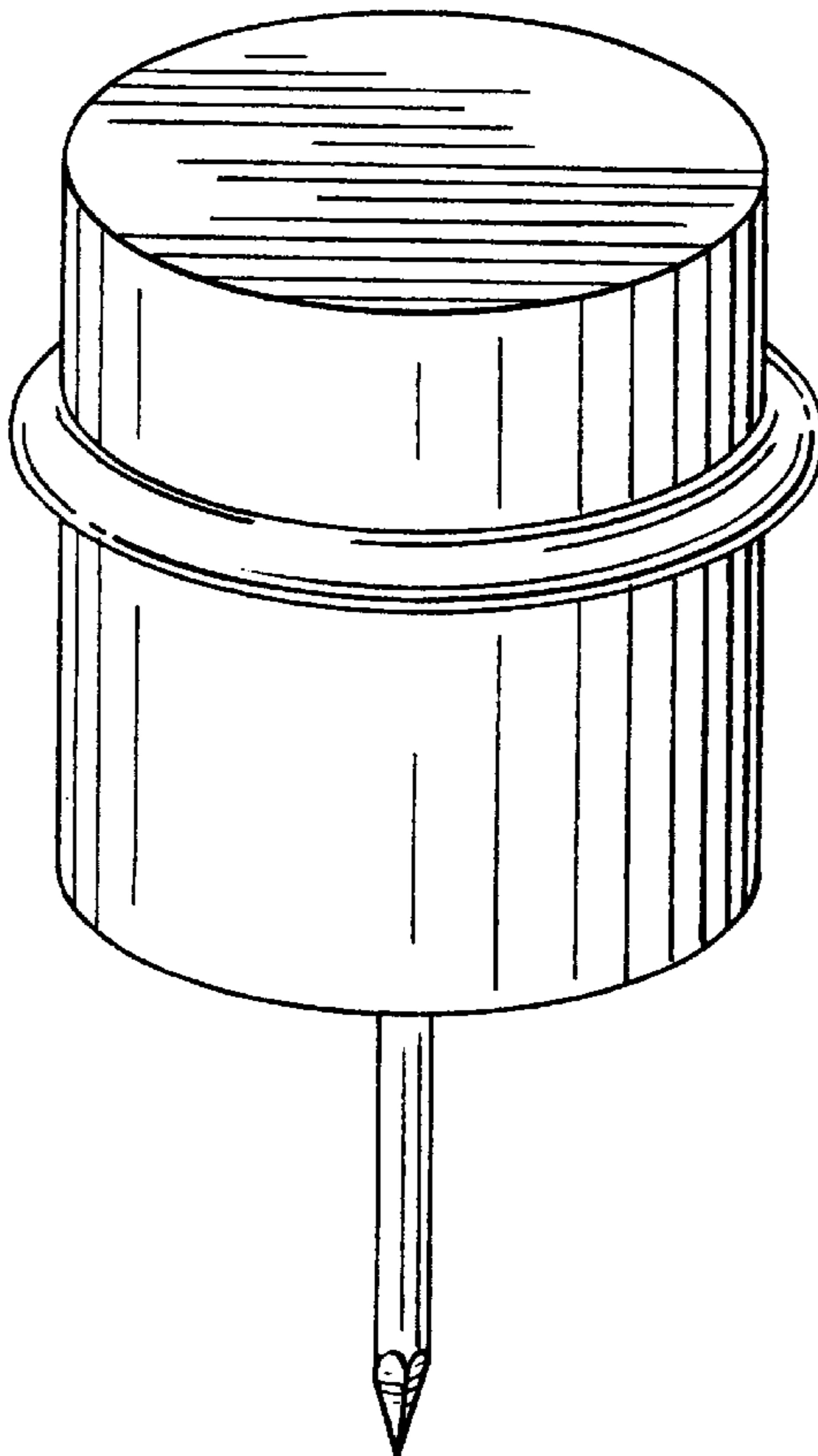
[57] **CLAIM**

The ornamental design for a push pin, as shown and described.

DESCRIPTION

FIG. 1 is a perspective view of a push pin showing our new design;
 FIG. 2 is a top plan view;
 FIG. 3 is a side elevational view, the opposite side being identical thereto;
 FIG. 4 is a bottom plan view;
 FIG. 5 is a front elevational view;
 FIG. 6 is a rear elevational view;
 FIG. 7 is a perspective view of a second embodiment of our design of FIG. 1;
 FIG. 8 is a top plan view;
 FIG. 9 is a side elevational view, the opposite side being a mirror image thereof;
 FIG. 10 is a bottom plan view;
 FIG. 11 is a front elevational view; and,
 FIG. 12 is a rear elevational view thereof.

1 Claim, 6 Drawing Sheets



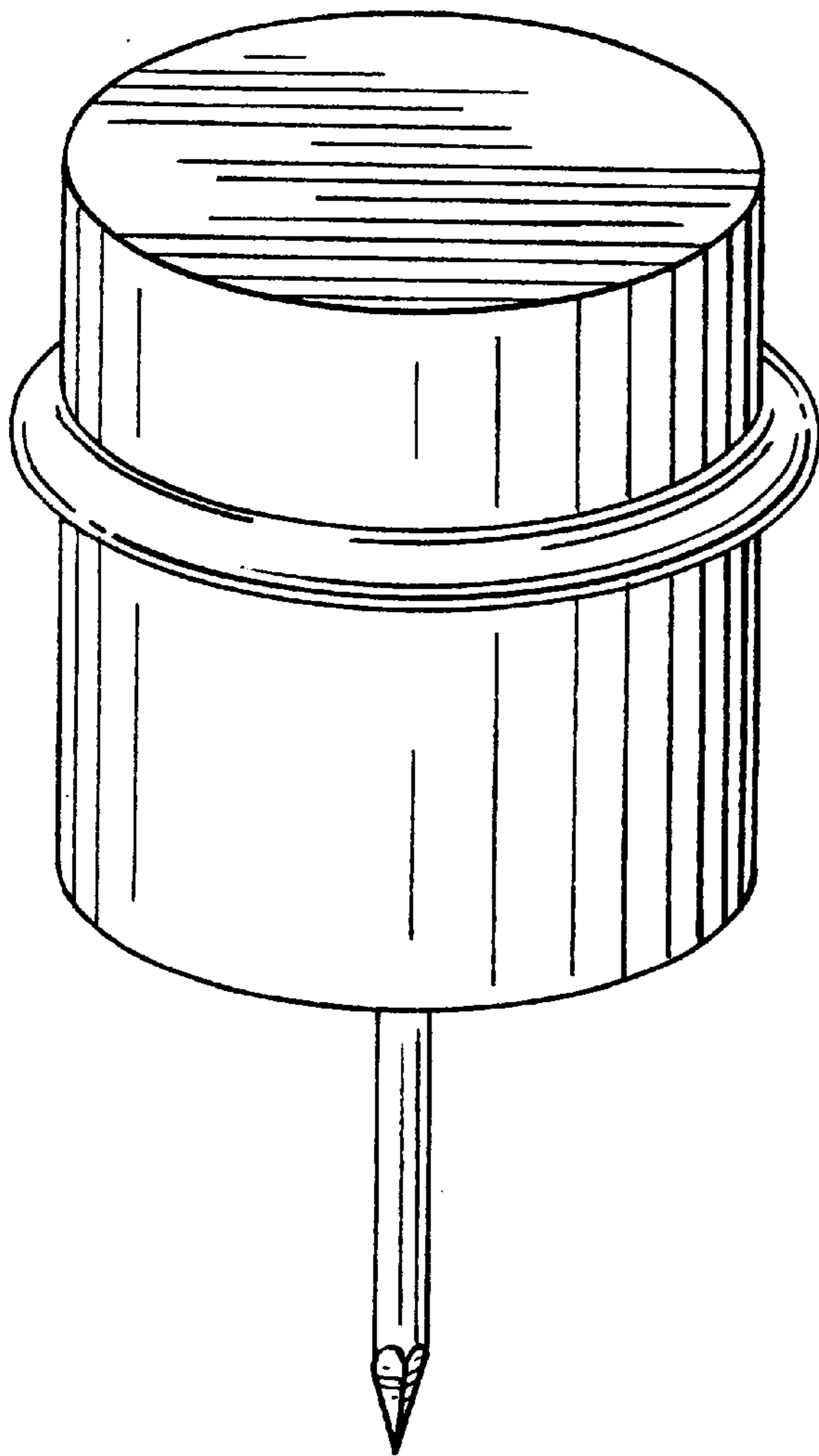


FIG. 1.

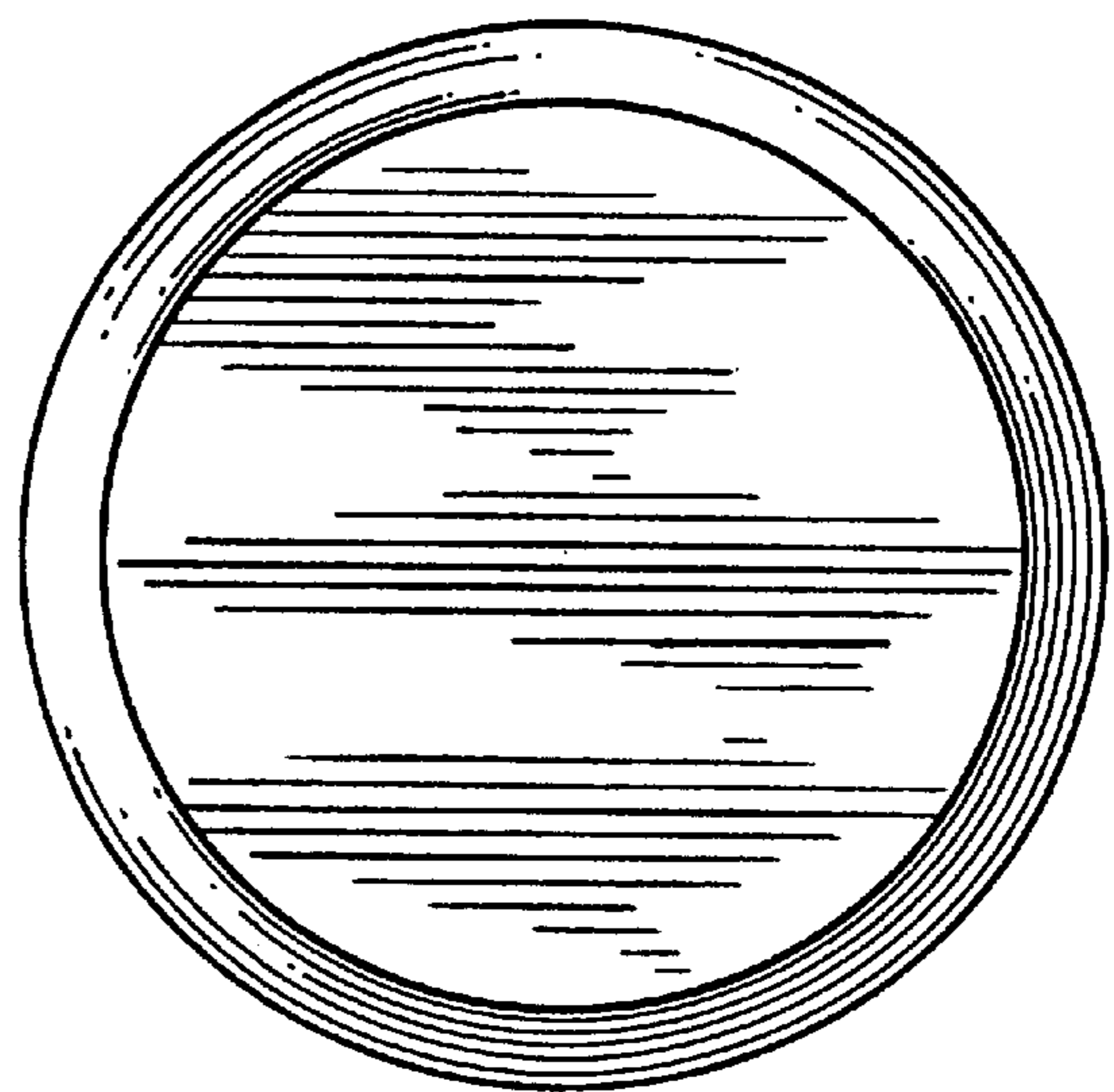


FIG. 2.

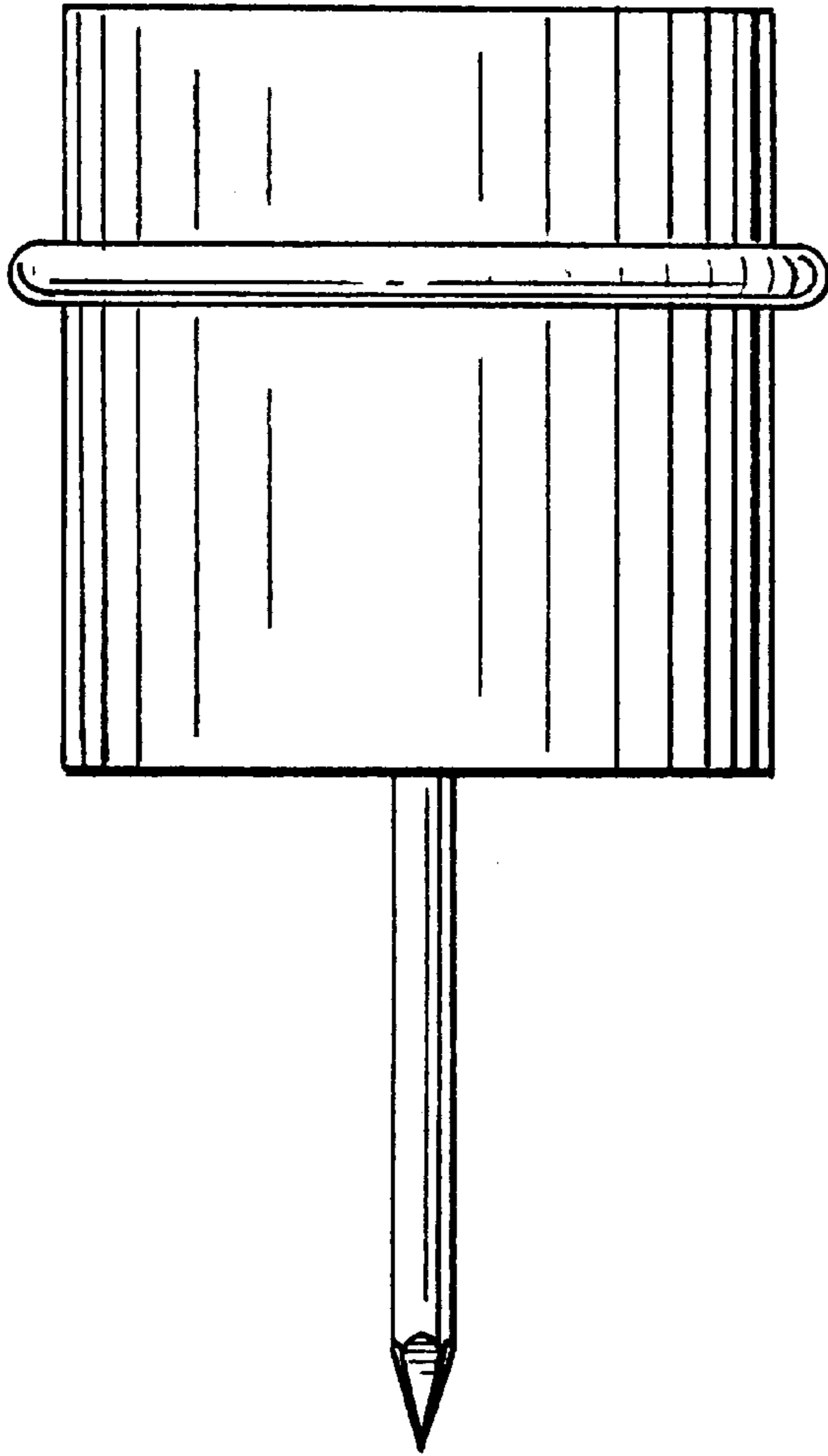
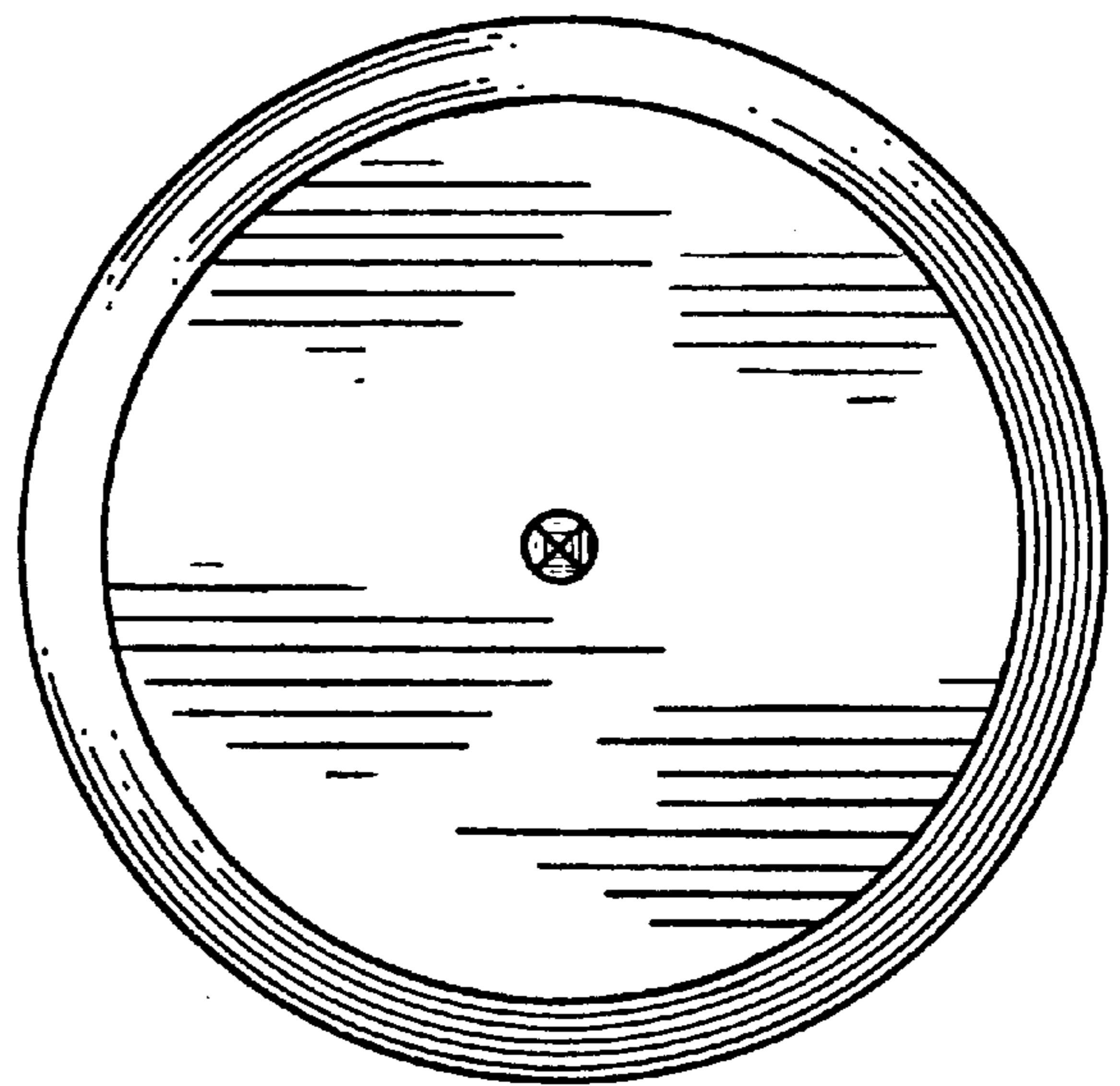


FIG. 3.

FIG. 4.



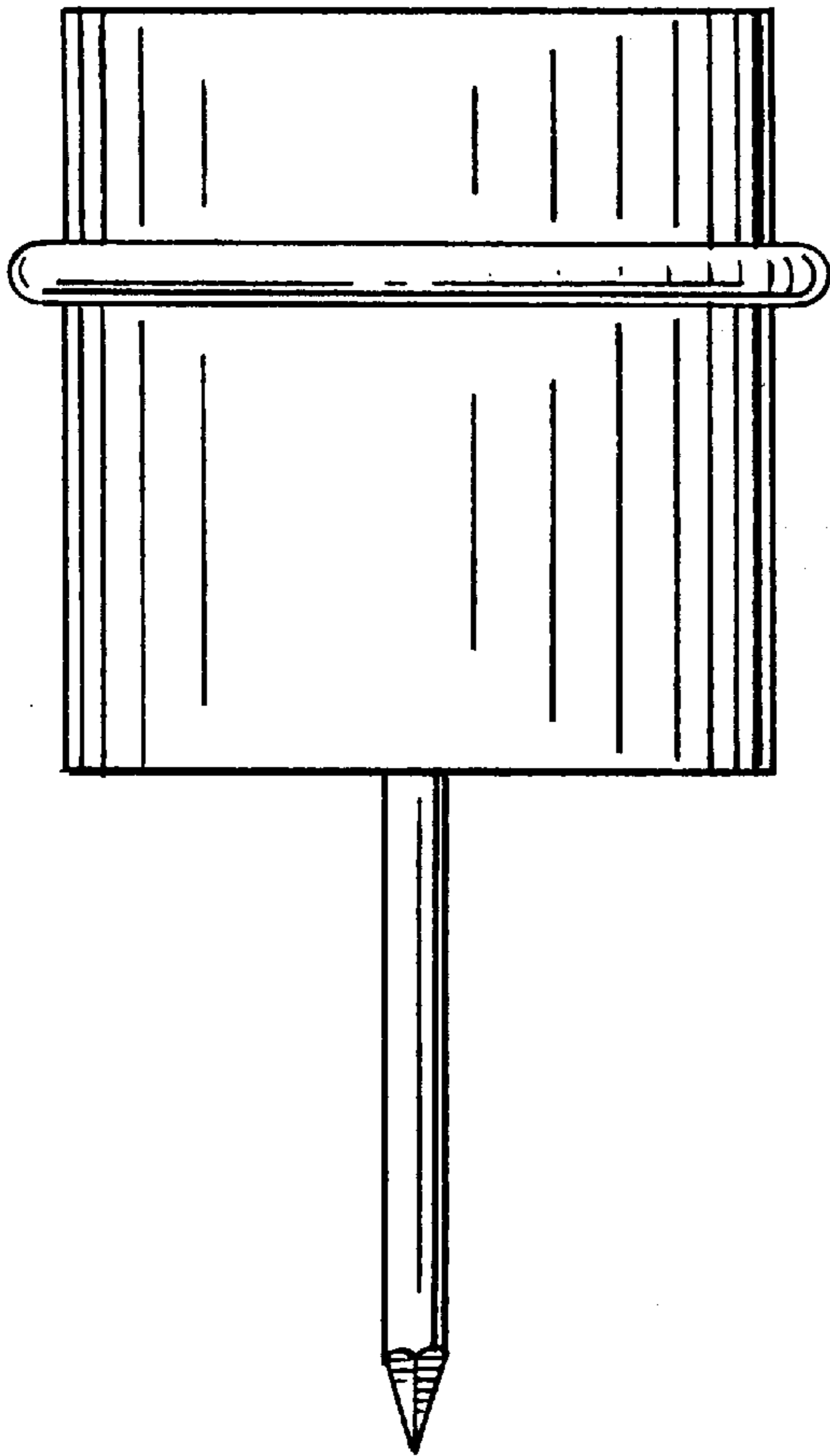
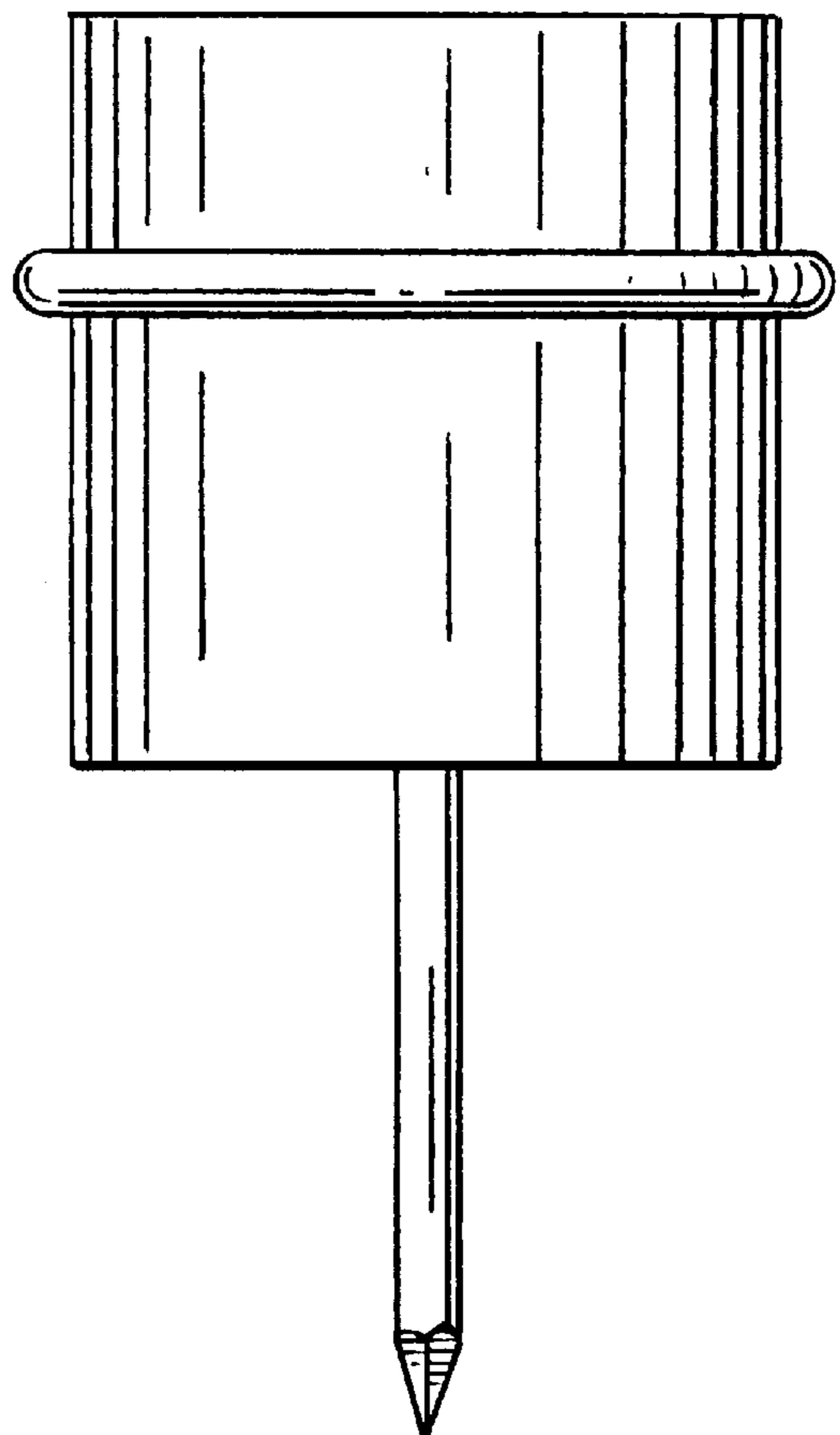


FIG. 5.

FIG. 6.



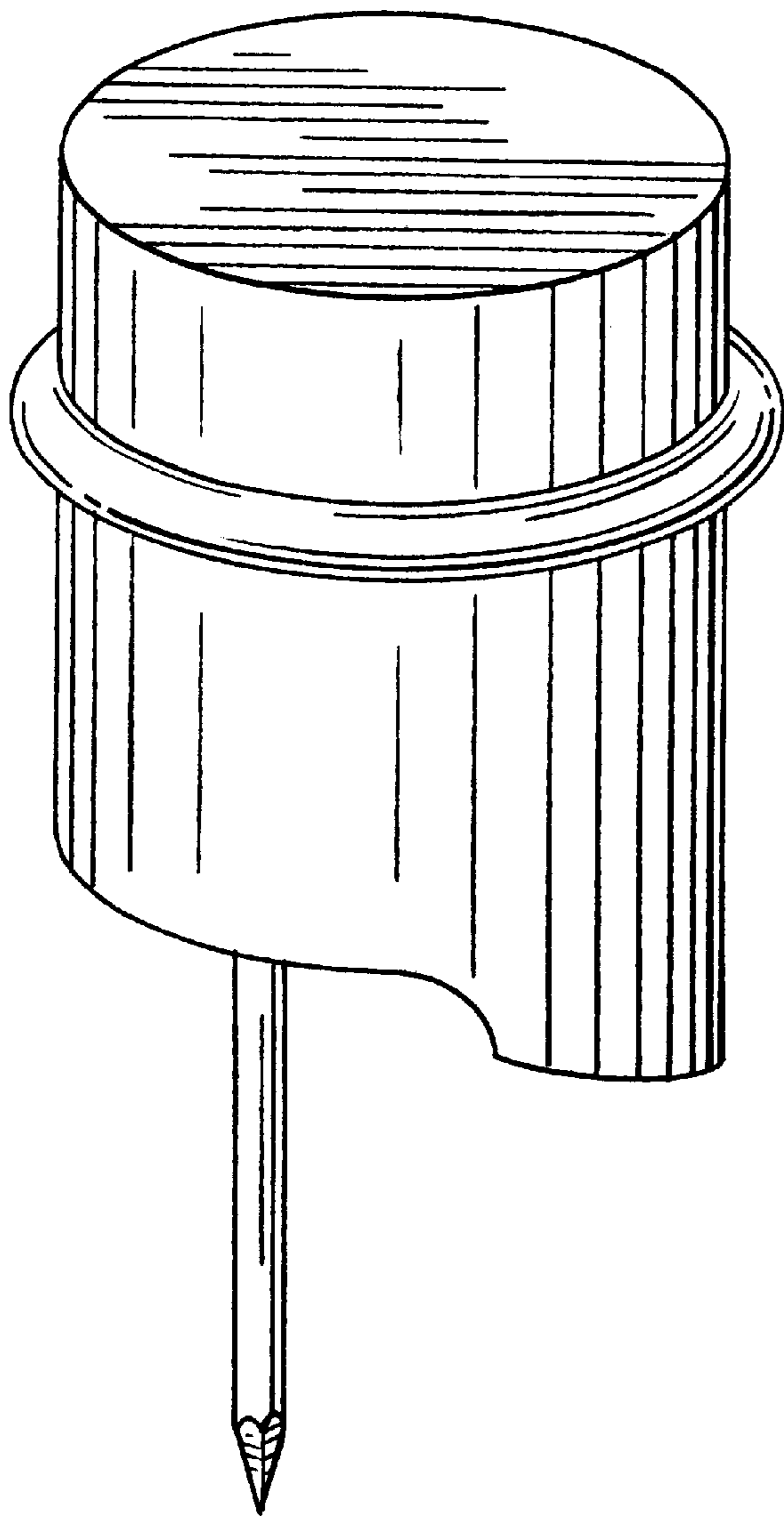
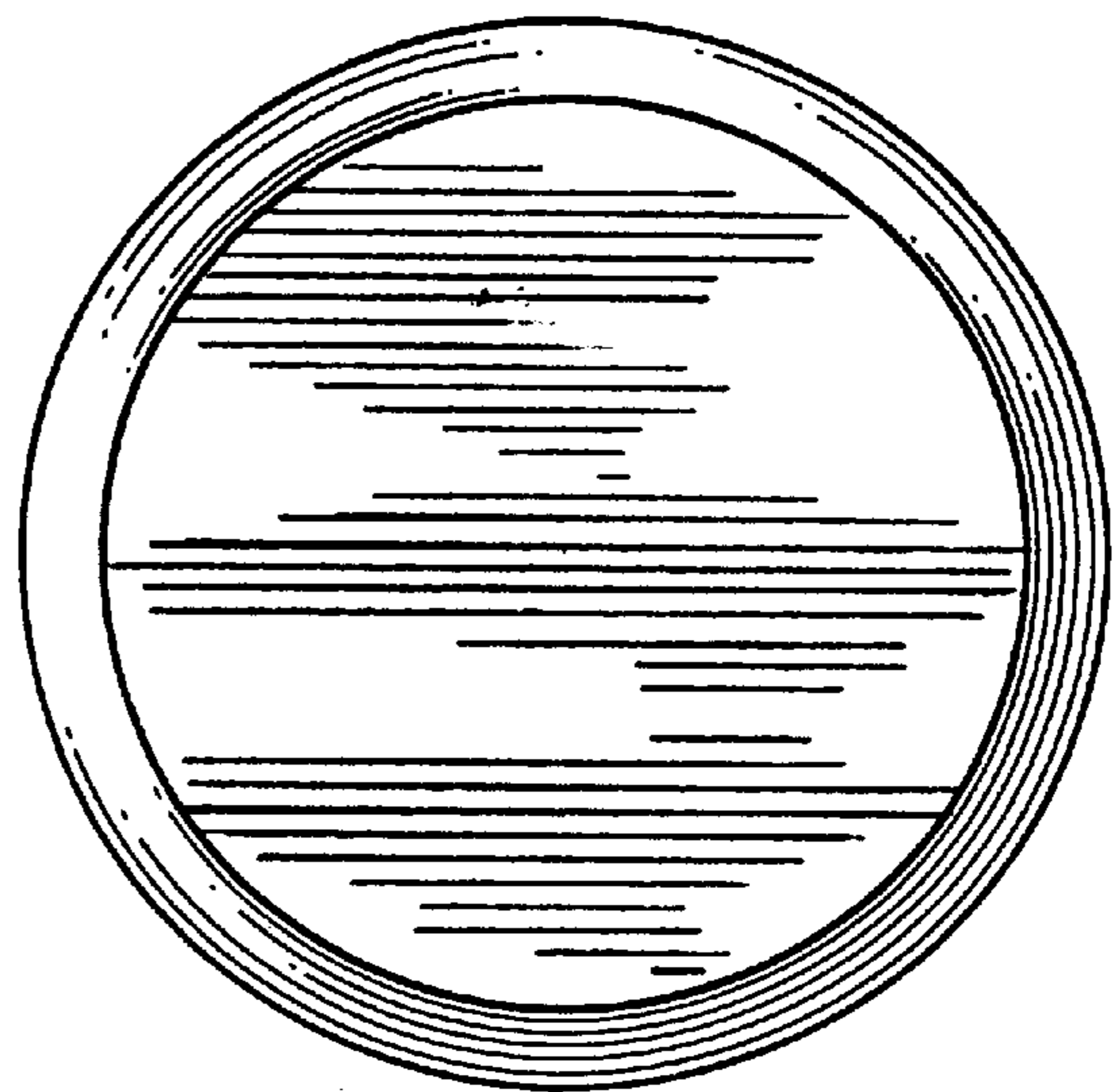


FIG. 7.

FIG. 8.



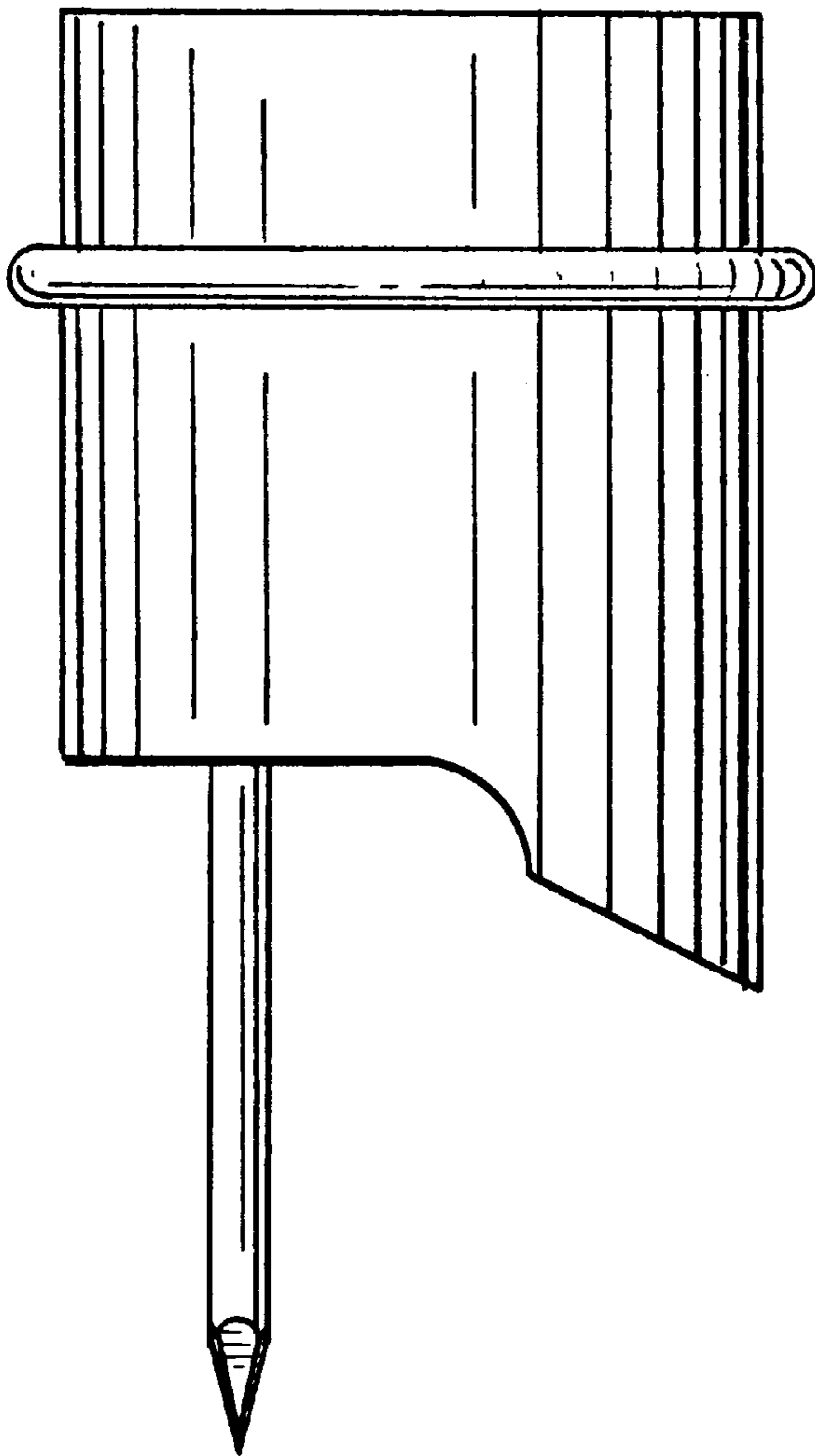


FIG. 9.

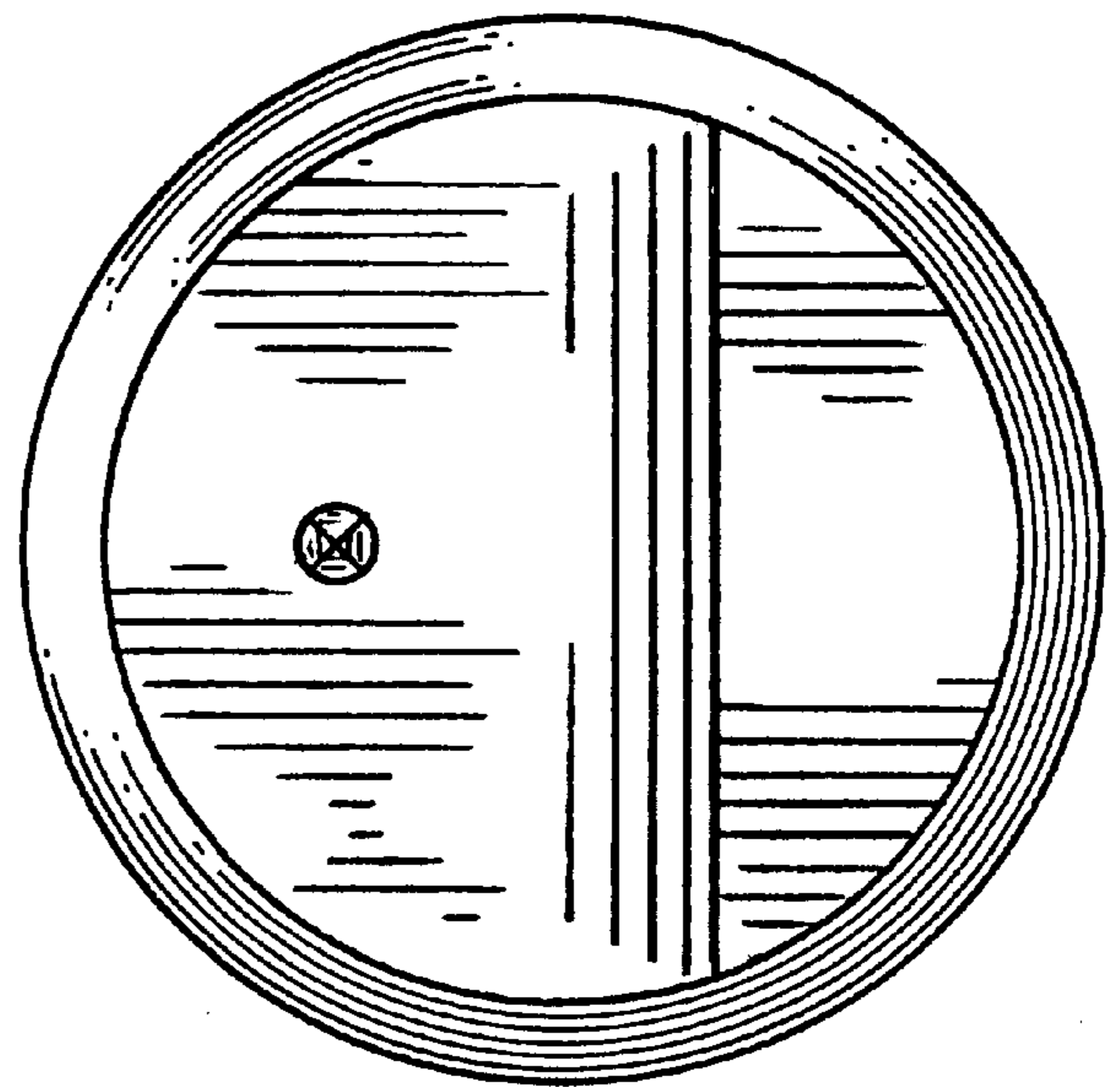


FIG. 10.

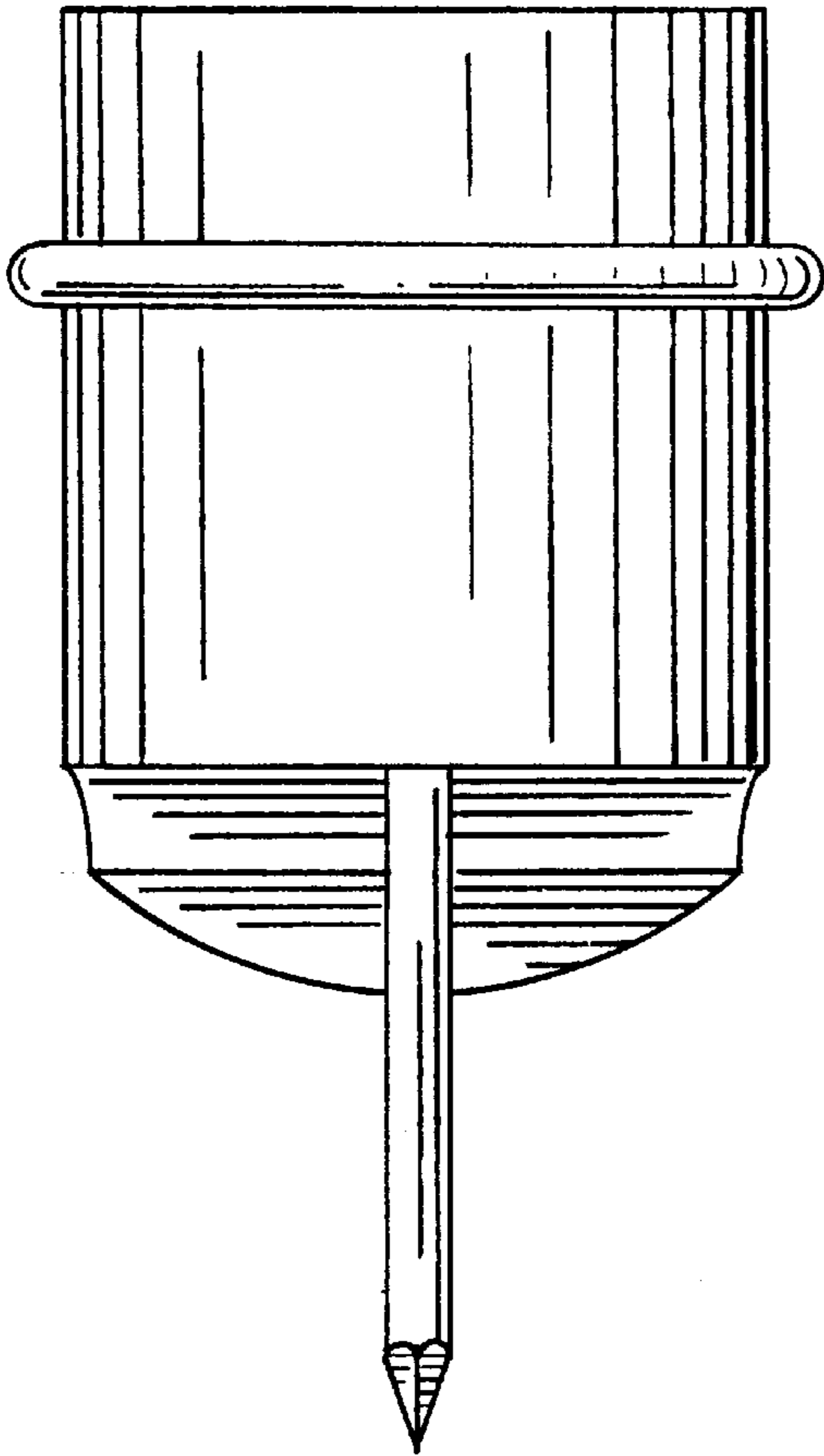


FIG. 11.

FIG. 12.

