



US00D414194S

United States Patent [19]
Patterson et al.

[11] **Patent Number: Des. 414,194**
[45] **Date of Patent: ** Sep. 21, 1999**

[54] **POLYGONAL INDEXABLE CUTTING INSERT**

5,772,366 6/1998 Wiman et al. 407/114 X

[75] Inventors: **John Patterson**, Hazel Park; **Tony Lowe**, Royal Oak; **Brendan Brockett**, Dearborn; **Thomas Bernadic**, Madison Hts., all of Mich.

Primary Examiner—Antoine Duval Davis
Attorney, Agent, or Firm—Mary K. Cameron

[73] Assignee: **Valenite Inc.**, Madison Heights, Mich.

[57] **CLAIM**

[**] Term: **14 Years**

The ornamental design for a polygonal indexable cutting insert, as shown.

[21] Appl. No.: **29/094,225**

[22] Filed: **Sep. 24, 1998**

DESCRIPTION

Related U.S. Application Data

[62] Division of application No. 29/086,068, Apr. 3, 1998.

[51] **LOC (6) Cl.** **15-99**

[52] **U.S. Cl.** **D15/139**

[58] **Field of Search** D15/139; 407/112–118

FIG. 1 is a perspective view of a polygonal indexable cutting insert showing a first form of our new design; FIG. 2 is a top plan view of the polygonal indexable cutting insert of FIG. 1; FIG. 3 is a side view of the polygonal indexable cutting insert of FIG. 1; FIG. 4 is a sectional view of the polygonal indexable cutting insert of FIG. 2 taken along the line 4—4; FIG. 5 is a sectional view of the polygonal indexable cutting insert of FIG. 2 taken along the line 5—5; FIG. 6 is a view of a polygonal indexable cutting insert showing a second form of our new design; and, FIG. 7 is a view of a polygonal indexable cutting insert showing a third form of our new design.

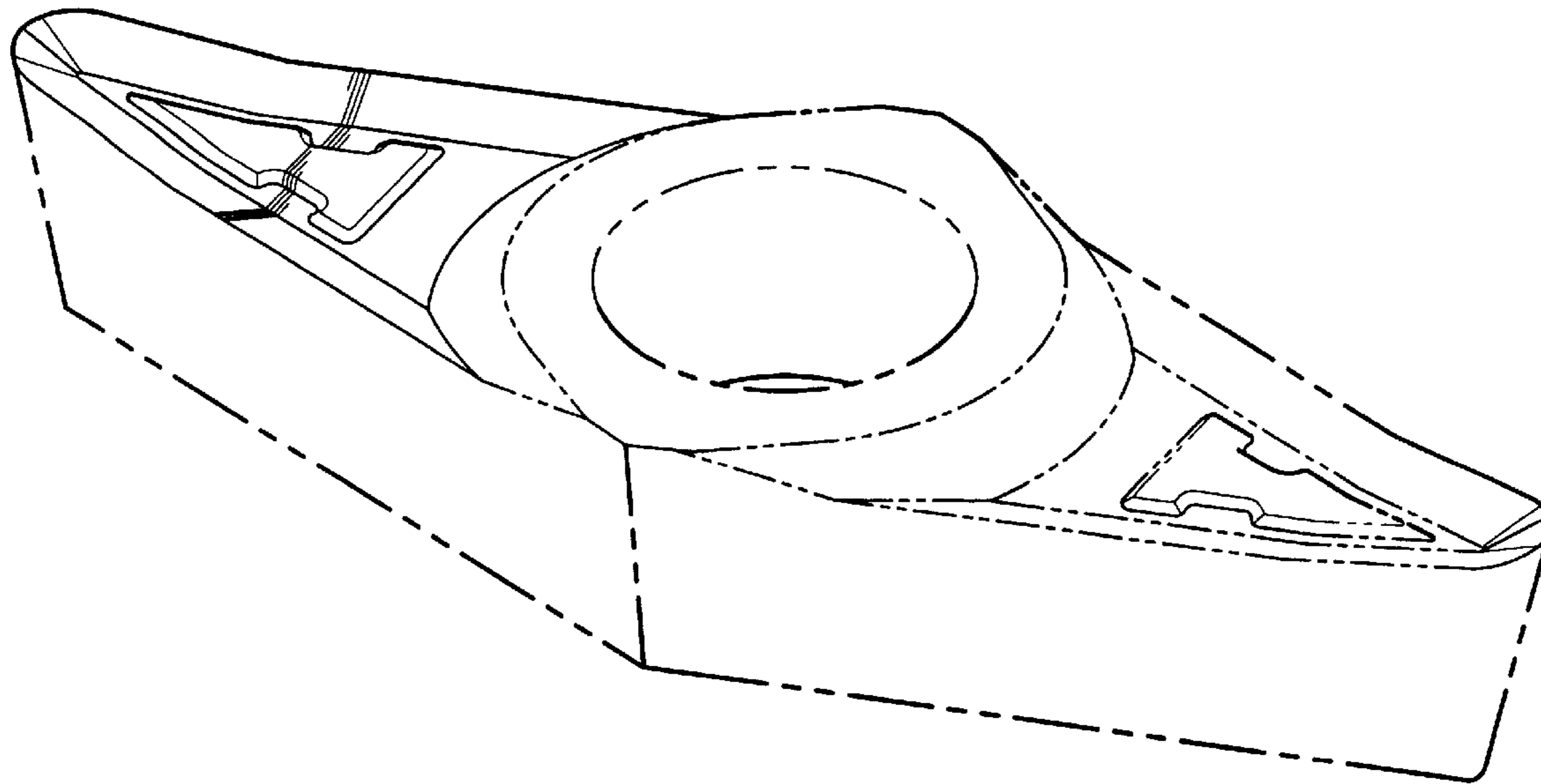
[56] **References Cited**

U.S. PATENT DOCUMENTS

5,180,258 1/1993 Bernadic 407/114
5,503,507 4/1996 Lowe et al. 407/114

The broken line showing is for illustrative purposes only and forms no part of the claimed design.

1 Claim, 3 Drawing Sheets



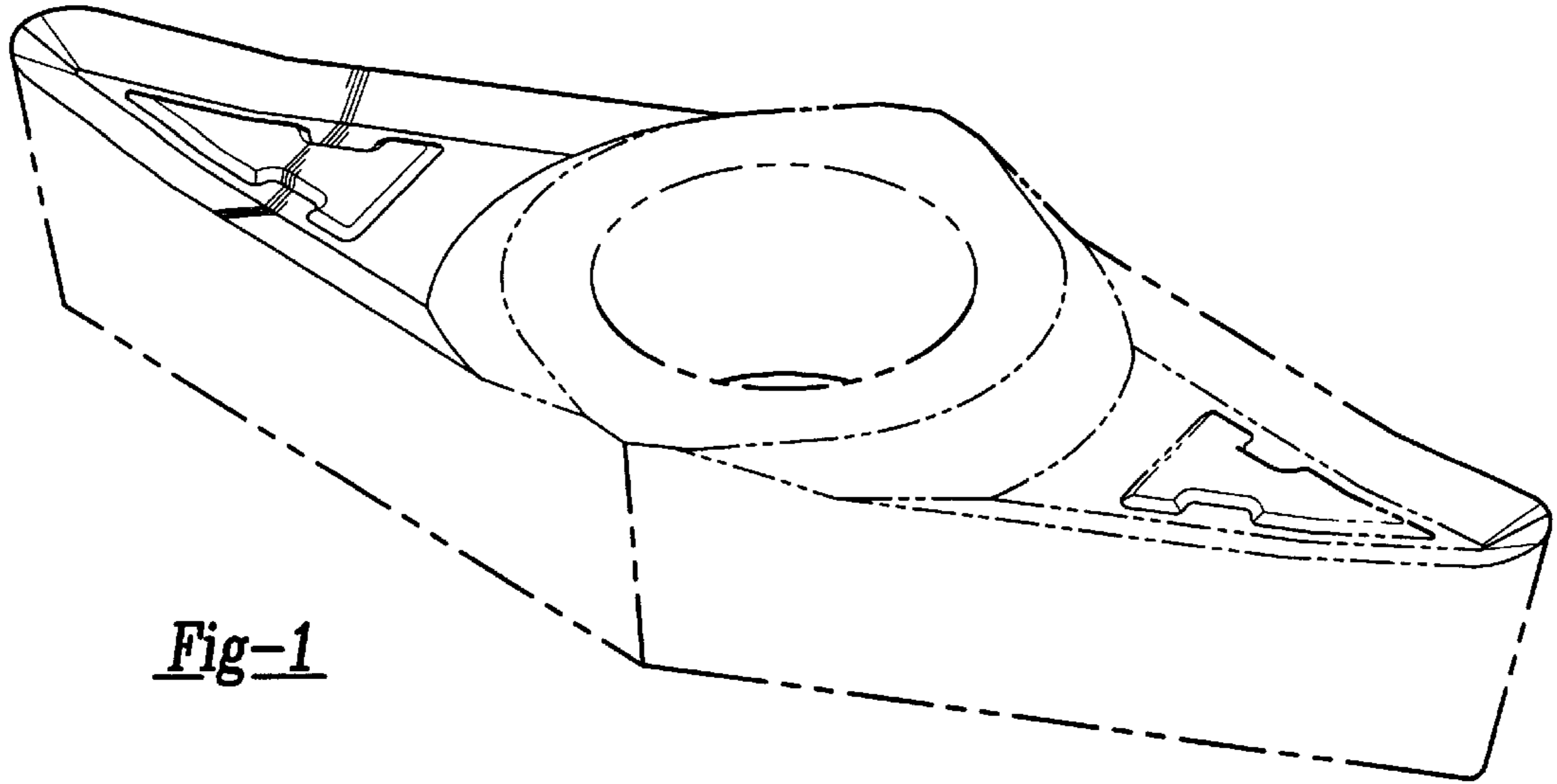


Fig-1

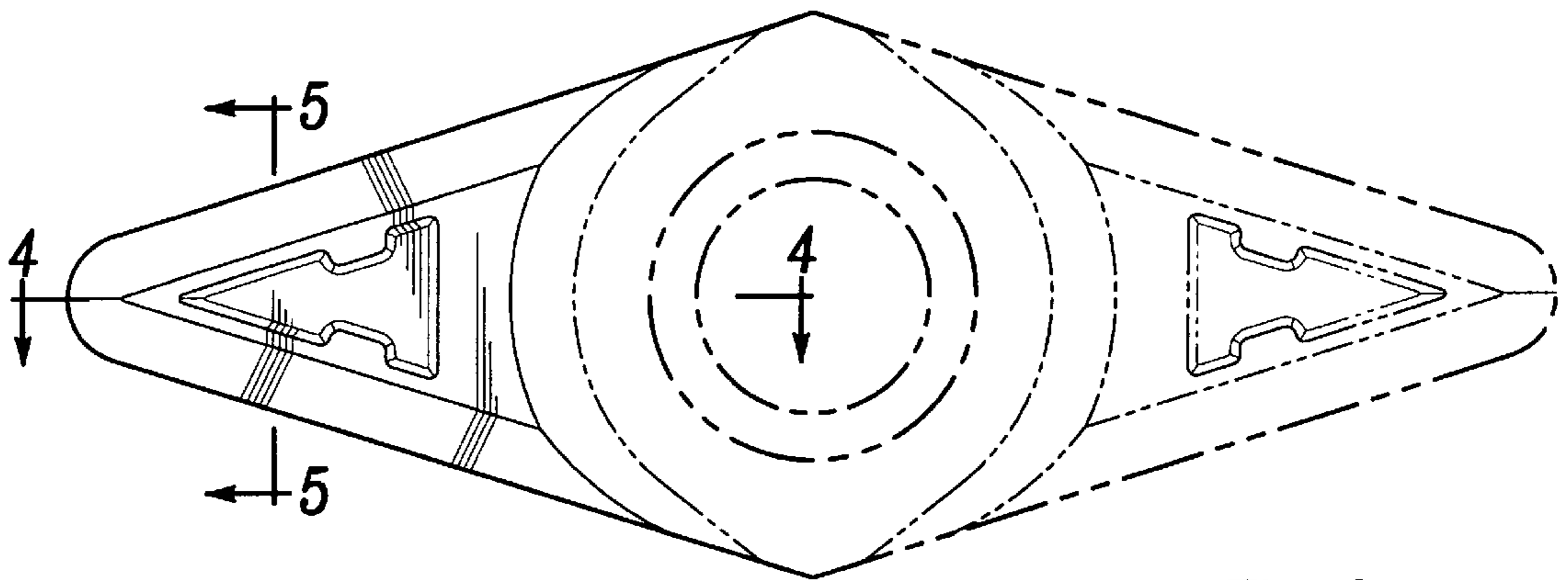


Fig-2

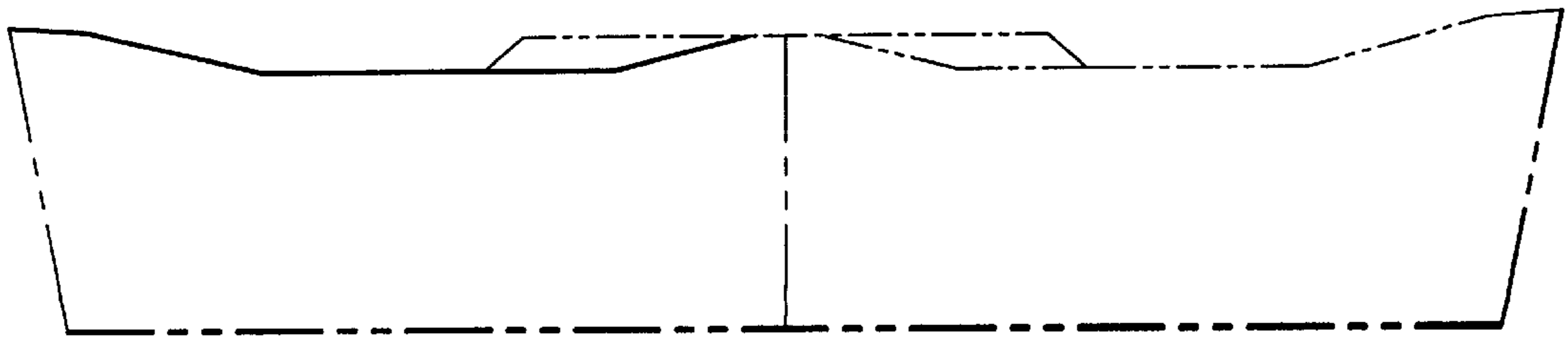


Fig-3

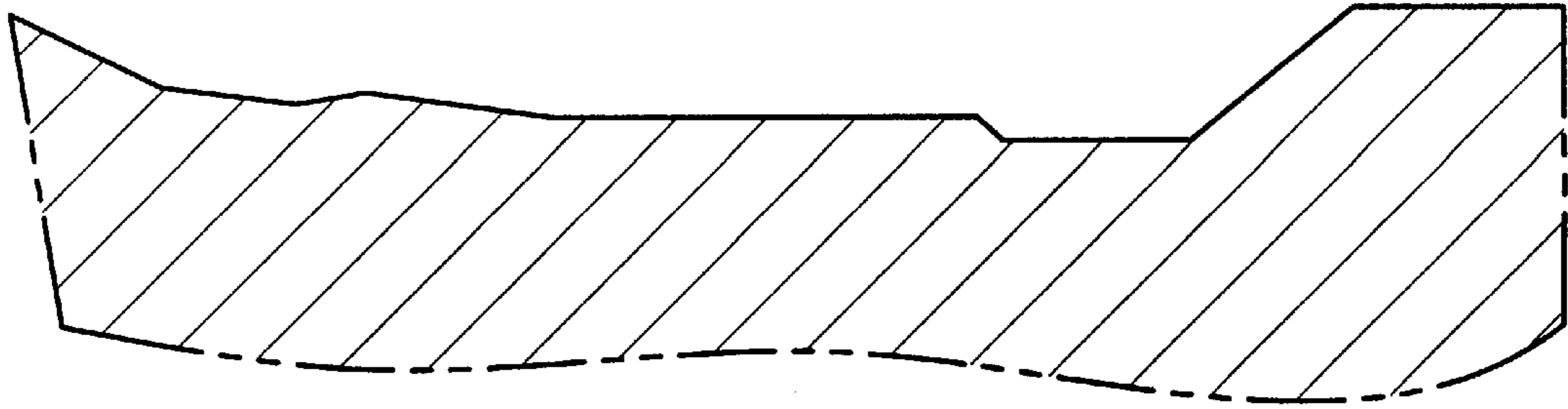


Fig-4

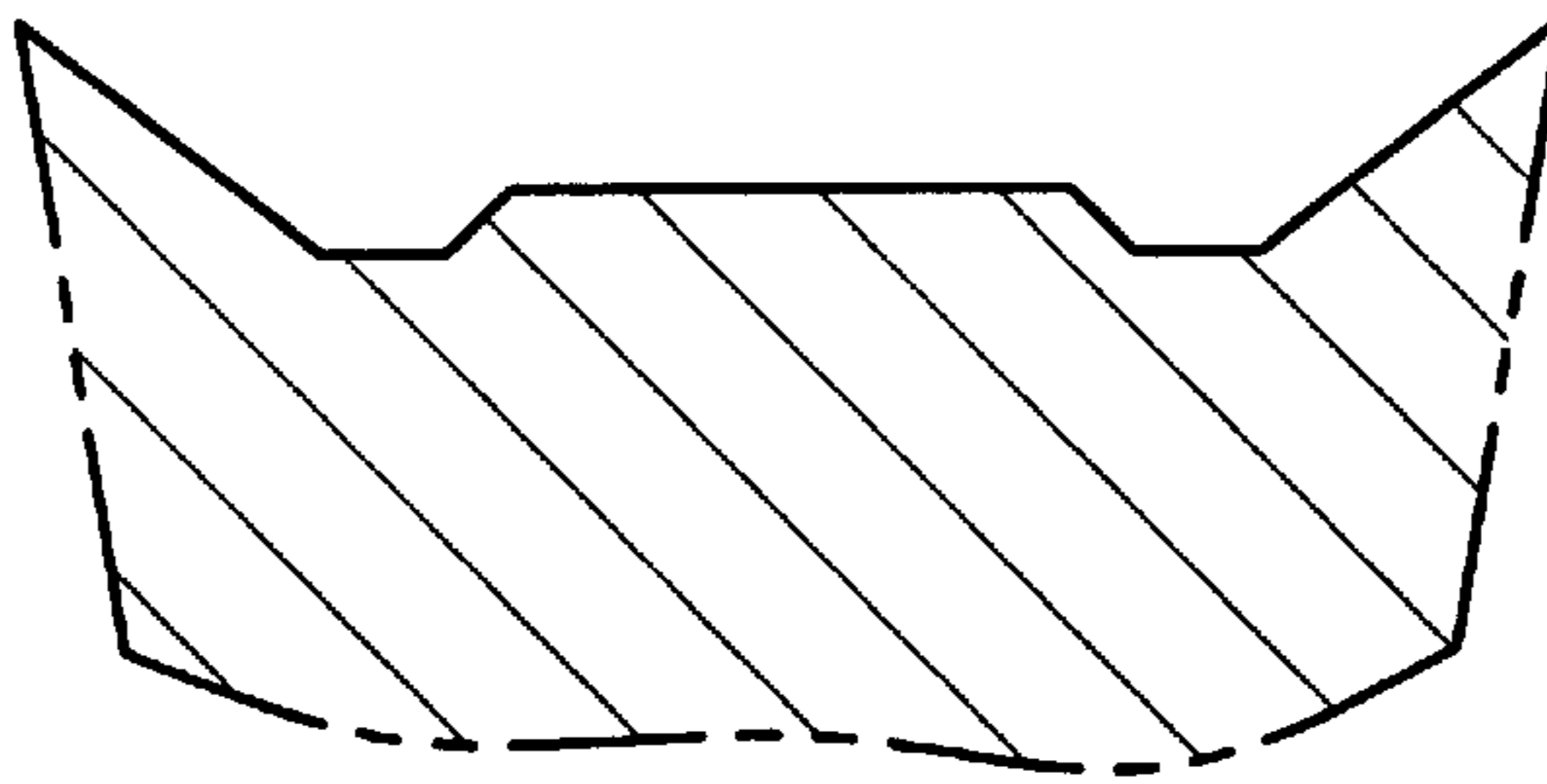


Fig-5

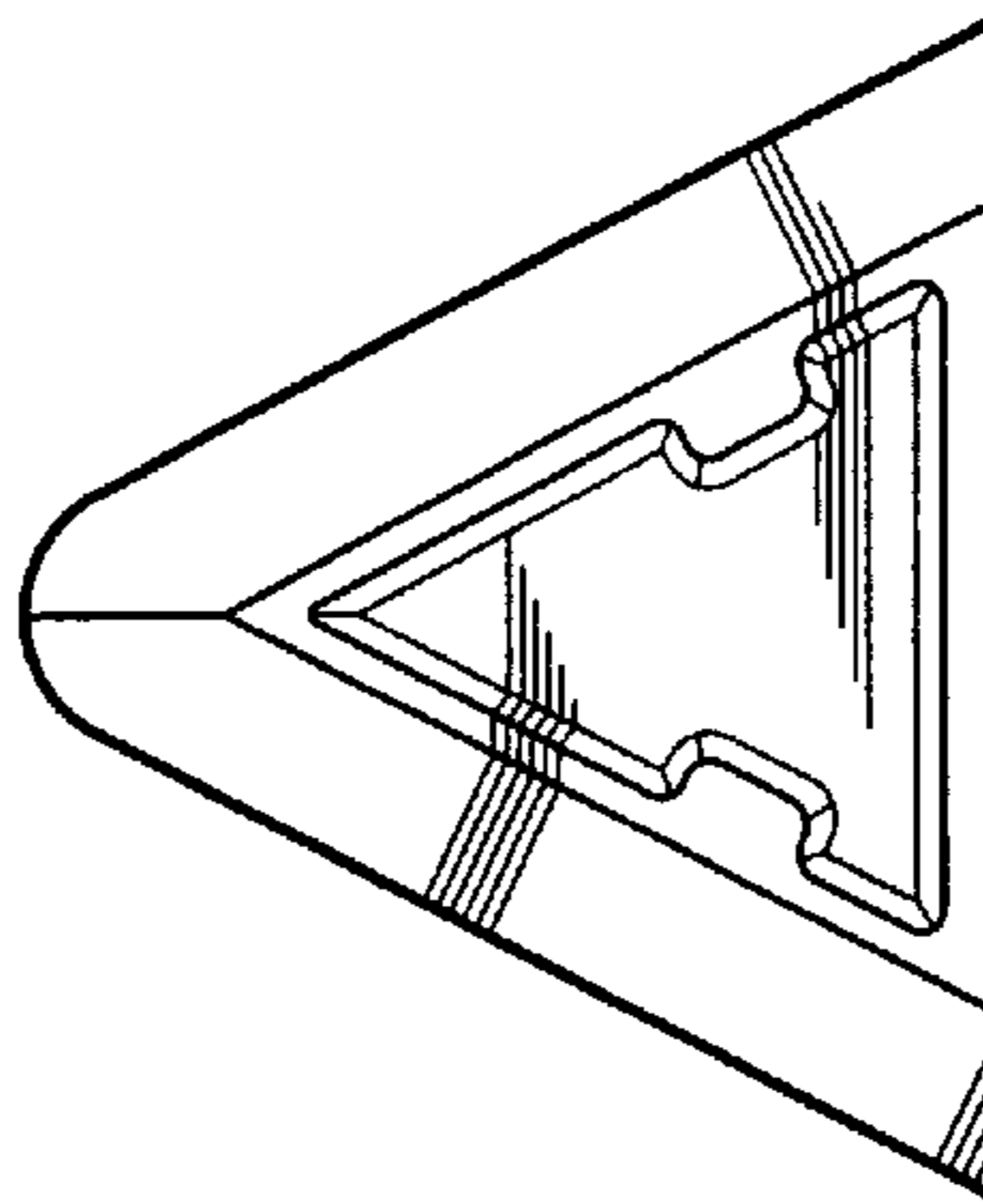


Fig-6

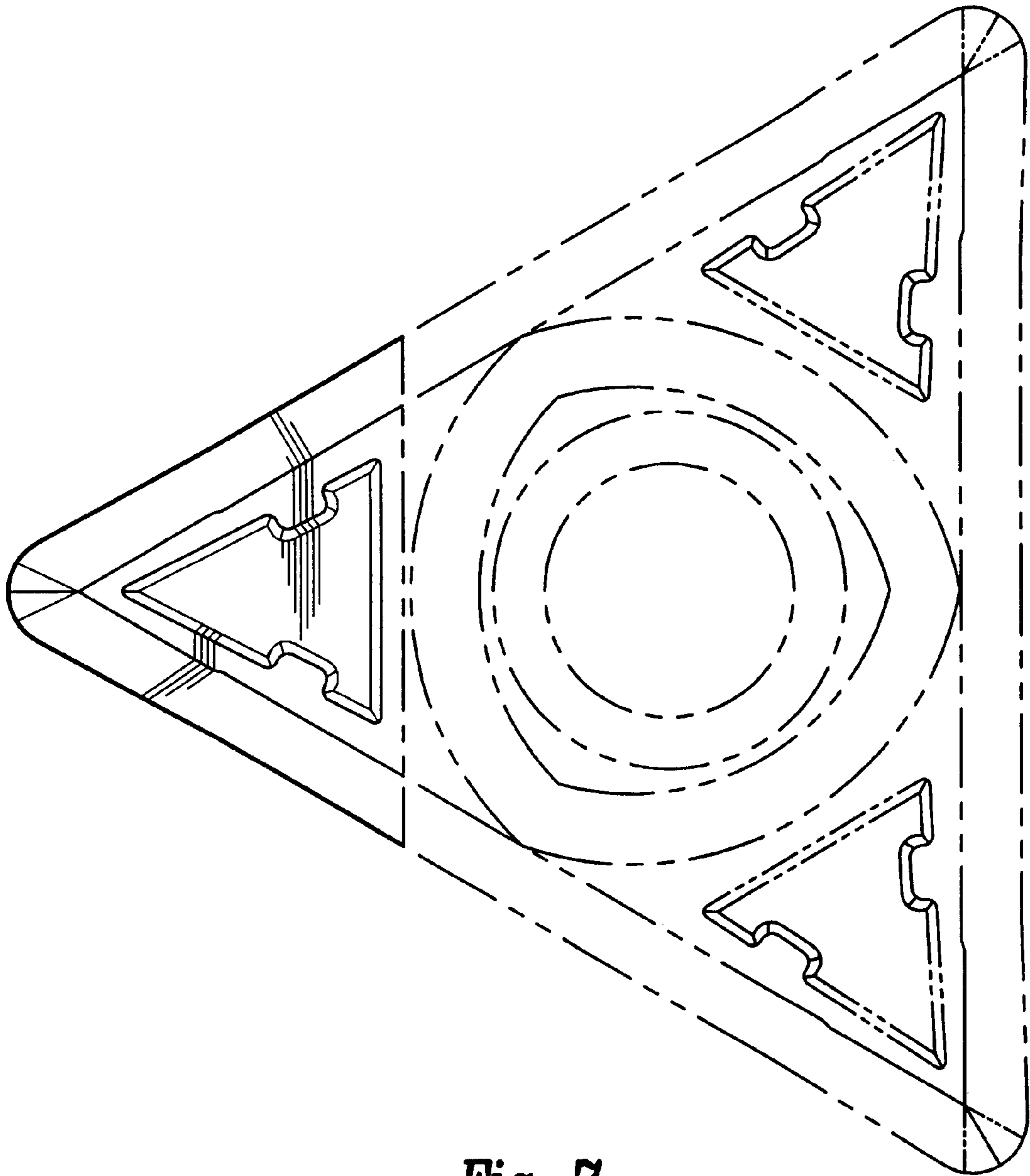


Fig-7