



US00D414193S

# United States Patent [19]

Lauder et al.

[11] Patent Number: Des. 414,193

[45] Date of Patent: \*\* Sep. 21, 1999

[54] DIGGING TOOTH

3,959,901 6/1976 Klett ..... 37/452  
4,965,945 10/1990 Emrich ..... 37/456

[75] Inventors: **Brian L. Lauder**, Tulsa; **Charles Clendenning**, Broken Arrow, both of Okla.

*Primary Examiner*—Sandra L. Morris  
*Attorney, Agent, or Firm*—John W. Harbst

[73] Assignee: **H&L Tooth Company**, Tulsa, Okla.

[57] CLAIM

[\*\*] Term: **14 Years**

The ornamental design for a digging tooth, as shown and described.

[21] Appl. No.: **29/085,808**

### DESCRIPTION

[22] Filed: **Mar. 31, 1998**

FIG. 1 is a front, left side perspective view of a digging tooth showing our new design;  
FIG. 2 is a left side elevational view thereof; and with the right side elevational view being a mirror image thereof;  
FIG. 3 is a top plan view thereof;  
FIG. 4 is a bottom plan view thereof;  
FIG. 5 is a front elevational view thereof;  
FIG. 6 is a rear end elevational view thereof;  
FIG. 7 is a bottom plan view of an alternative embodiment of the invention; with the top, side and rear elevational views thereof being identical to those illustrated in FIGS. 1, 2, 3 and 6; and,  
FIG. 8 is a bottom plan view of that embodiment of the invention illustrated in FIG. 7.

[51] LOC (6) Cl. .... **15-03**

[52] U.S. Cl. .... **D15/29**

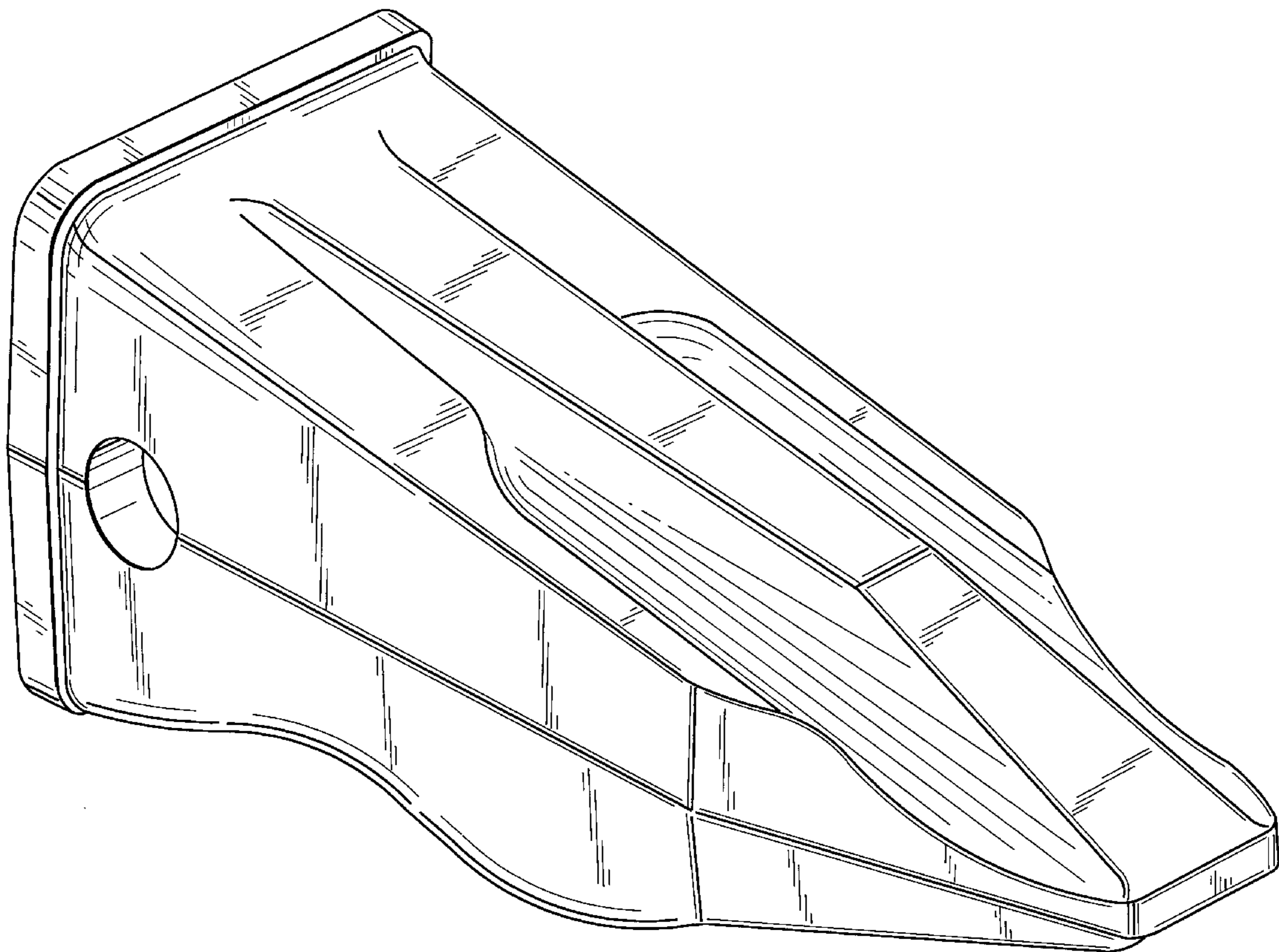
[58] Field of Search ..... D15/10, 28, 29;  
37/452-458

### [56] References Cited

#### U.S. PATENT DOCUMENTS

D. 329,243	9/1992	Robinson	.....	D15/29
D. 336,304	6/1993	Robinson	.....	D15/29
D. 345,364	3/1994	Robinson	.....	D15/29
D. 389,844	1/1998	Moreno	.....	D15/29
D. 391,583	3/1998	Moreno	.....	D15/29
D. 399,511	10/1998	Lauder et al.	.....	D15/27

**1 Claim, 4 Drawing Sheets**



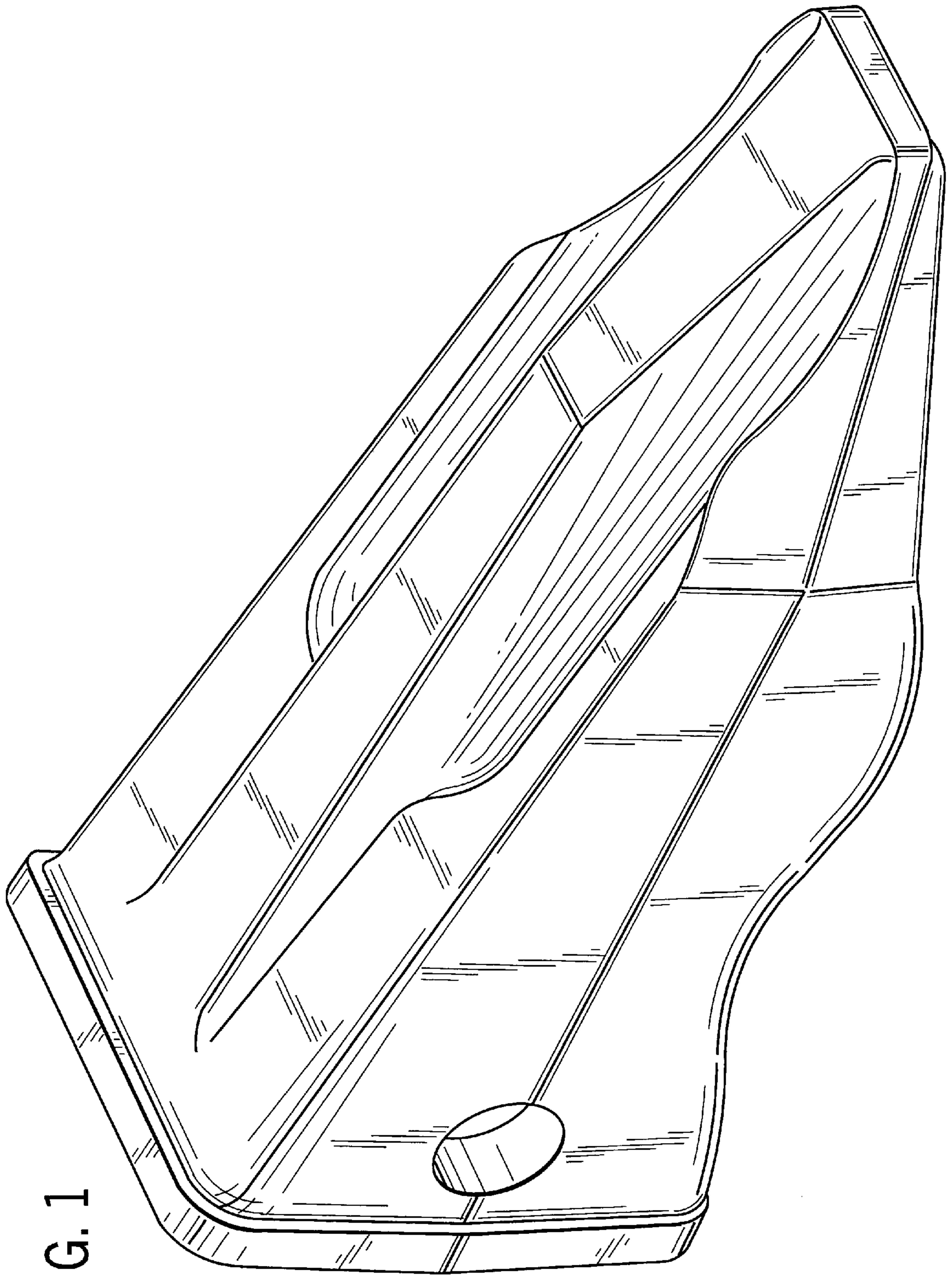


FIG. 1

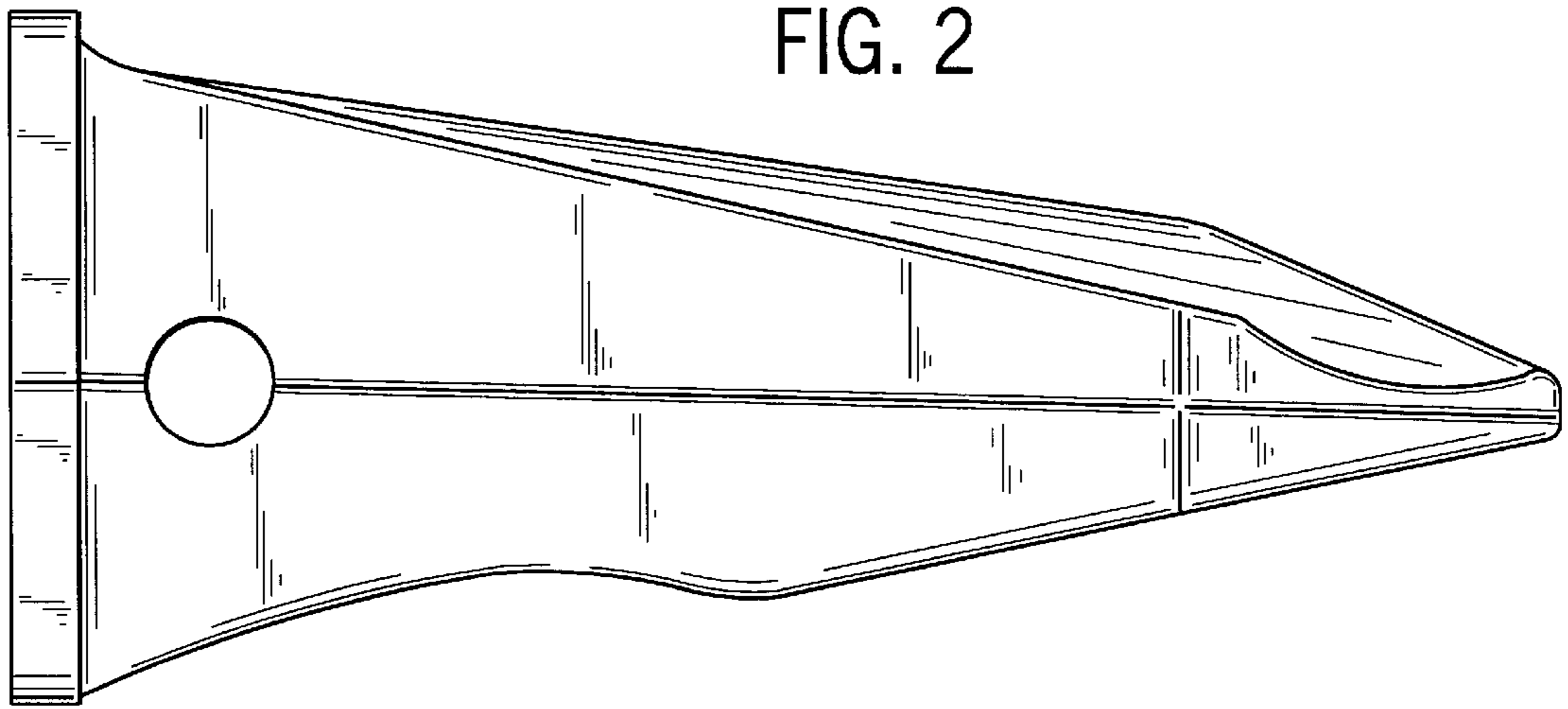


FIG. 3

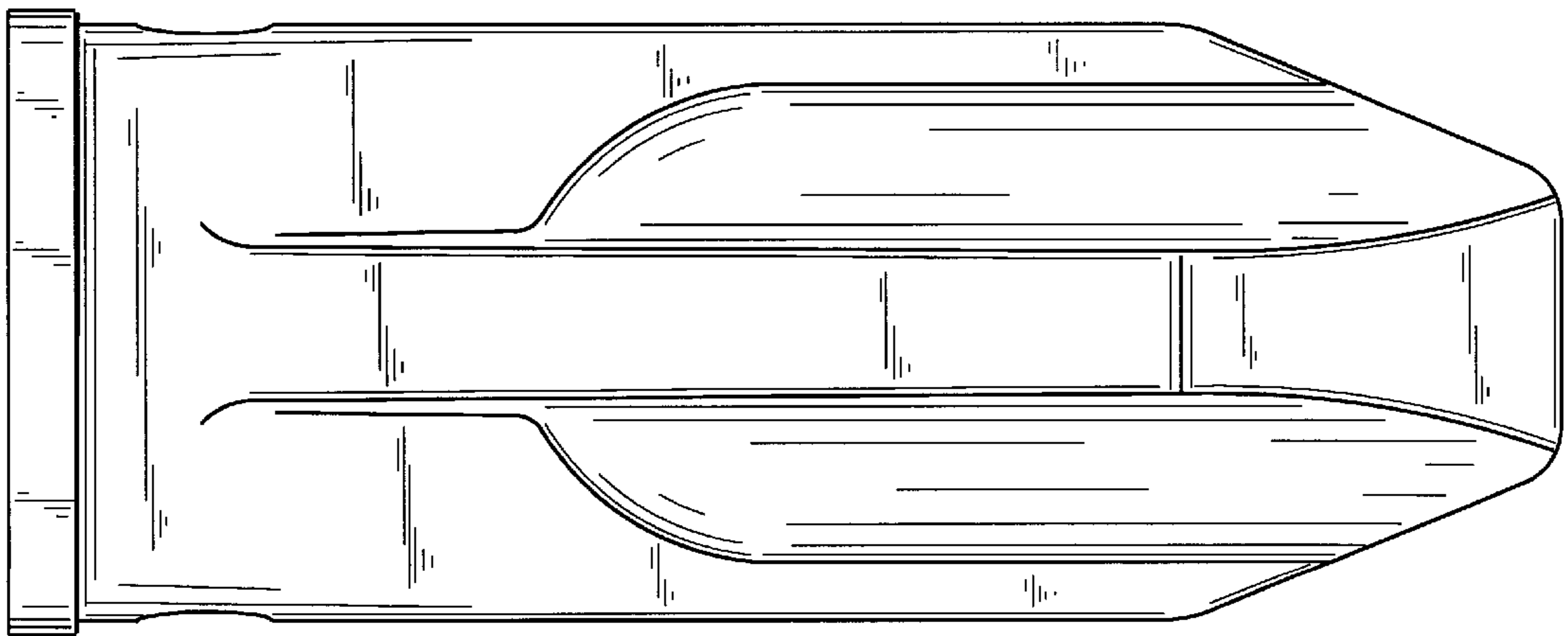


FIG. 4

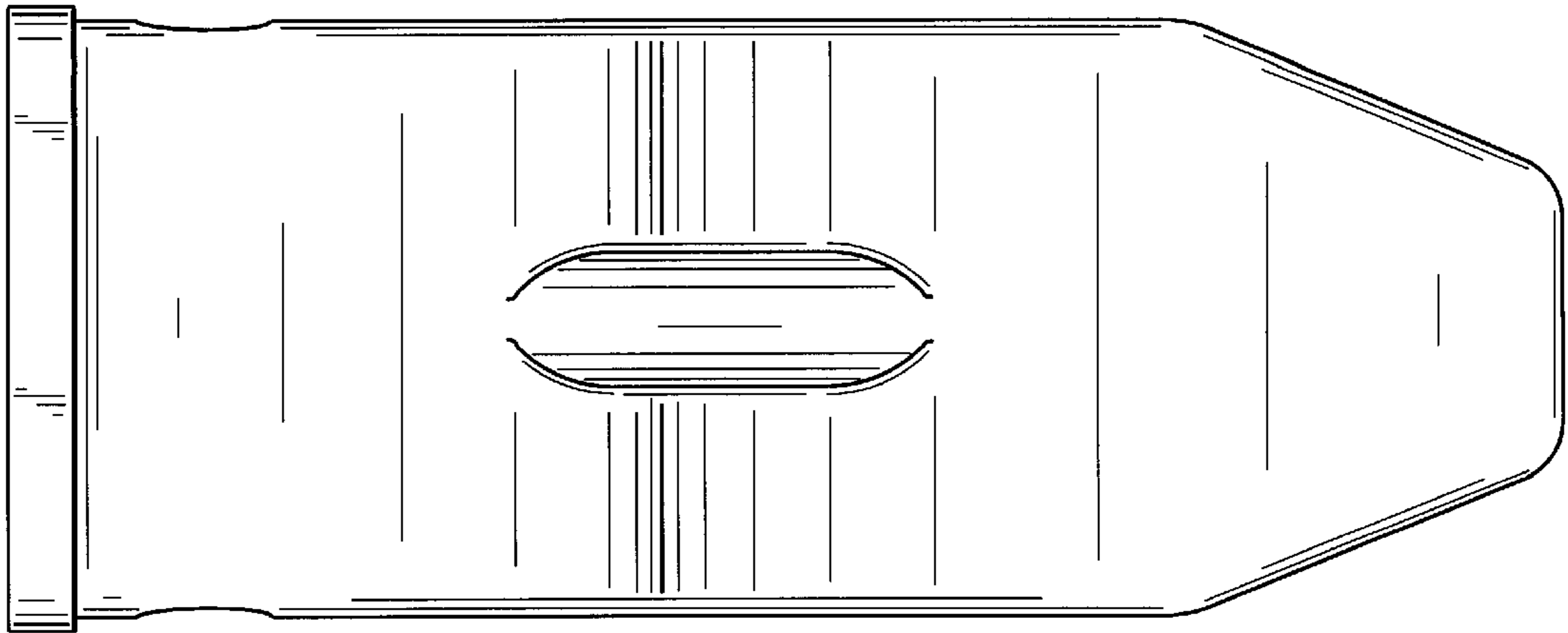


FIG. 5

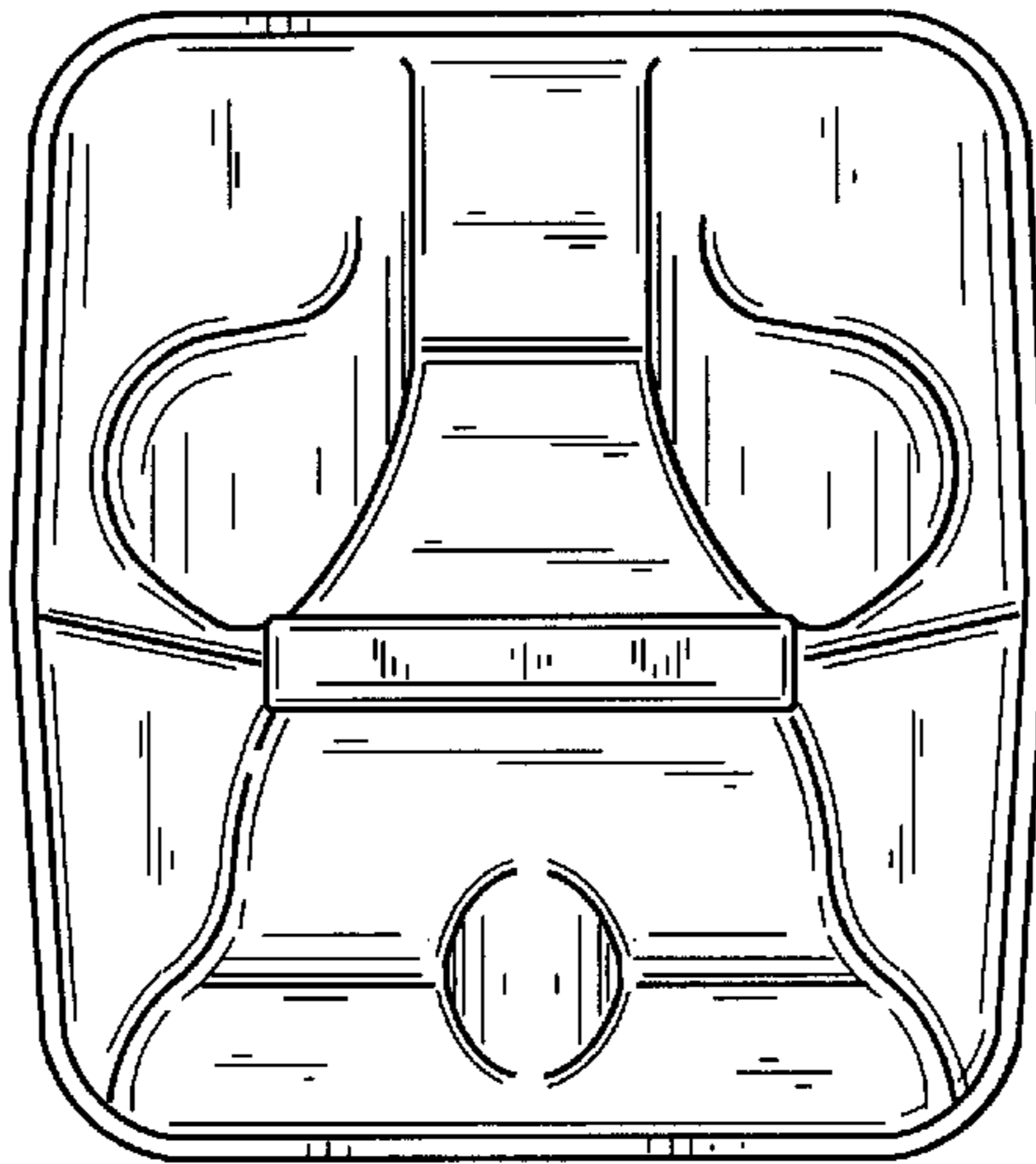


FIG. 6

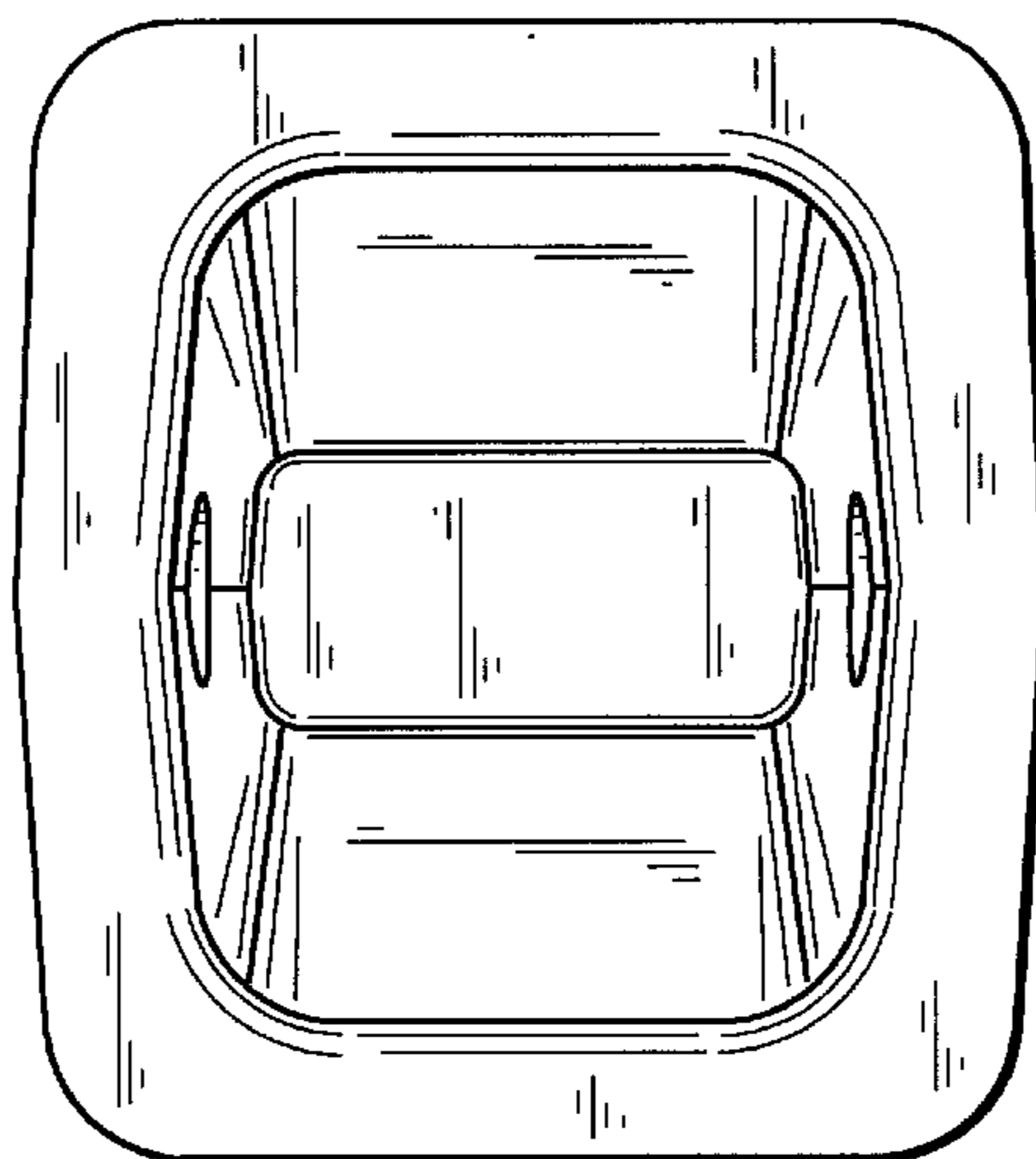


FIG. 7

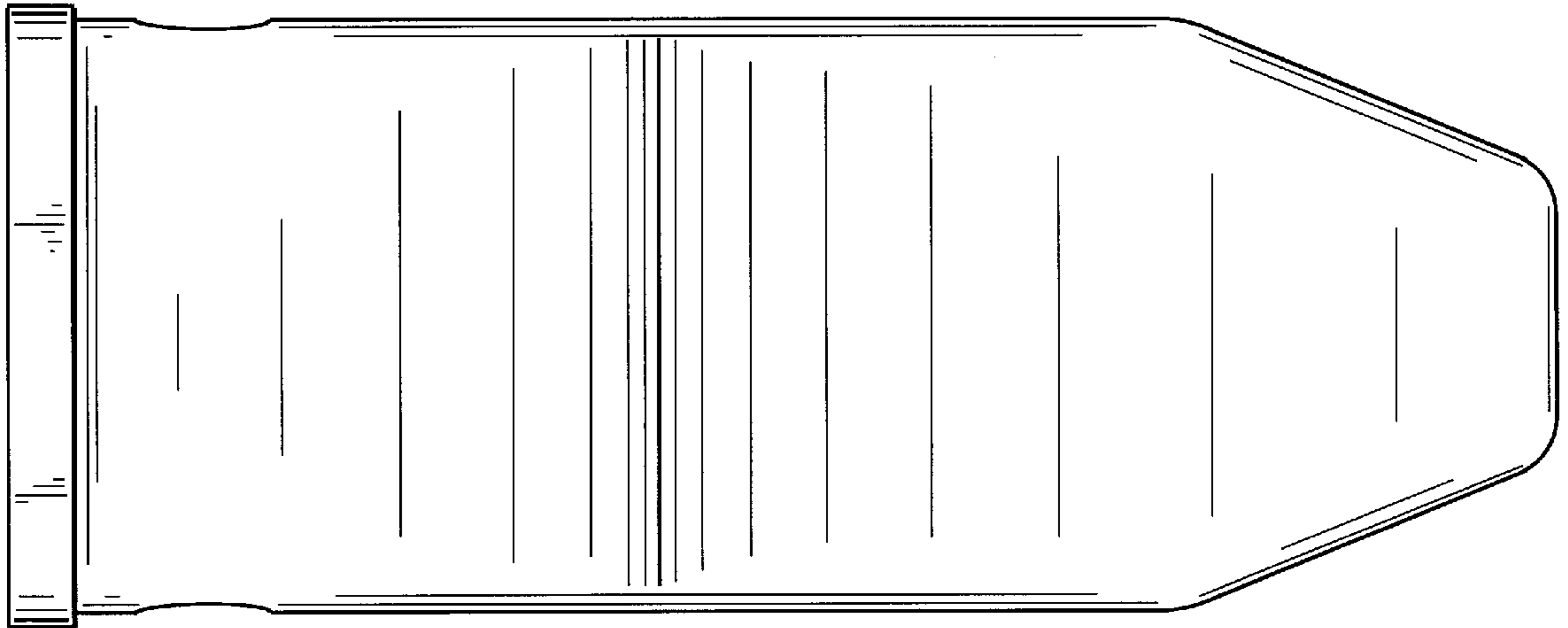


FIG. 8

