



US00D414188S

United States Patent [19]

Matthews et al.

[11] Patent Number: Des. 414,188

[45] Date of Patent: ** Sep. 21, 1999

[54] TELEPHONE CONTROL MODULE CASE ASSEMBLY

[75] Inventors: Gordon H. Matthews; Byrne O. Benfield; Larry A. Stell; David G. Turnbull, all of Austin, Tex.

[73] Assignee: Matthews Communications Management, Inc., Austin, Tex.

[**] Term: 14 Years

[21] Appl. No.: 29/086,246

[22] Filed: Apr. 8, 1998

[51] LOC (6) Cl. 14-03

[52] U.S. Cl. D14/240; D14/102; D14/109

[58] Field of Search D14/137, 140, D14/142, 107, 109, 102, 100, 240, 242, 230; 379/419, 420, 428, 440; 455/550-575, 90; D13/184, 162, 164, 147; 361/600, 622, 724-728

[56] **References Cited**

U.S. PATENT DOCUMENTS

D. 339,115 9/1993 Eilertsen D14/107

D. 342,488 12/1993 Kuzumoto et al. D14/109 X
D. 353,802 12/1994 Jasinski D14/109 X
D. 365,348 12/1995 Card et al. D14/240
D. 365,808 1/1996 Alden et al. D14/107
D. 384,649 10/1997 Heberling et al. D14/102
D. 386,753 11/1997 Han D14/100
D. 396,043 7/1998 Liao D14/107 X
D. 406,849 3/1999 Tanaka D14/242

Primary Examiner—Jeffrey Asch
Attorney, Agent, or Firm—Baker & Botts, L.L.P.

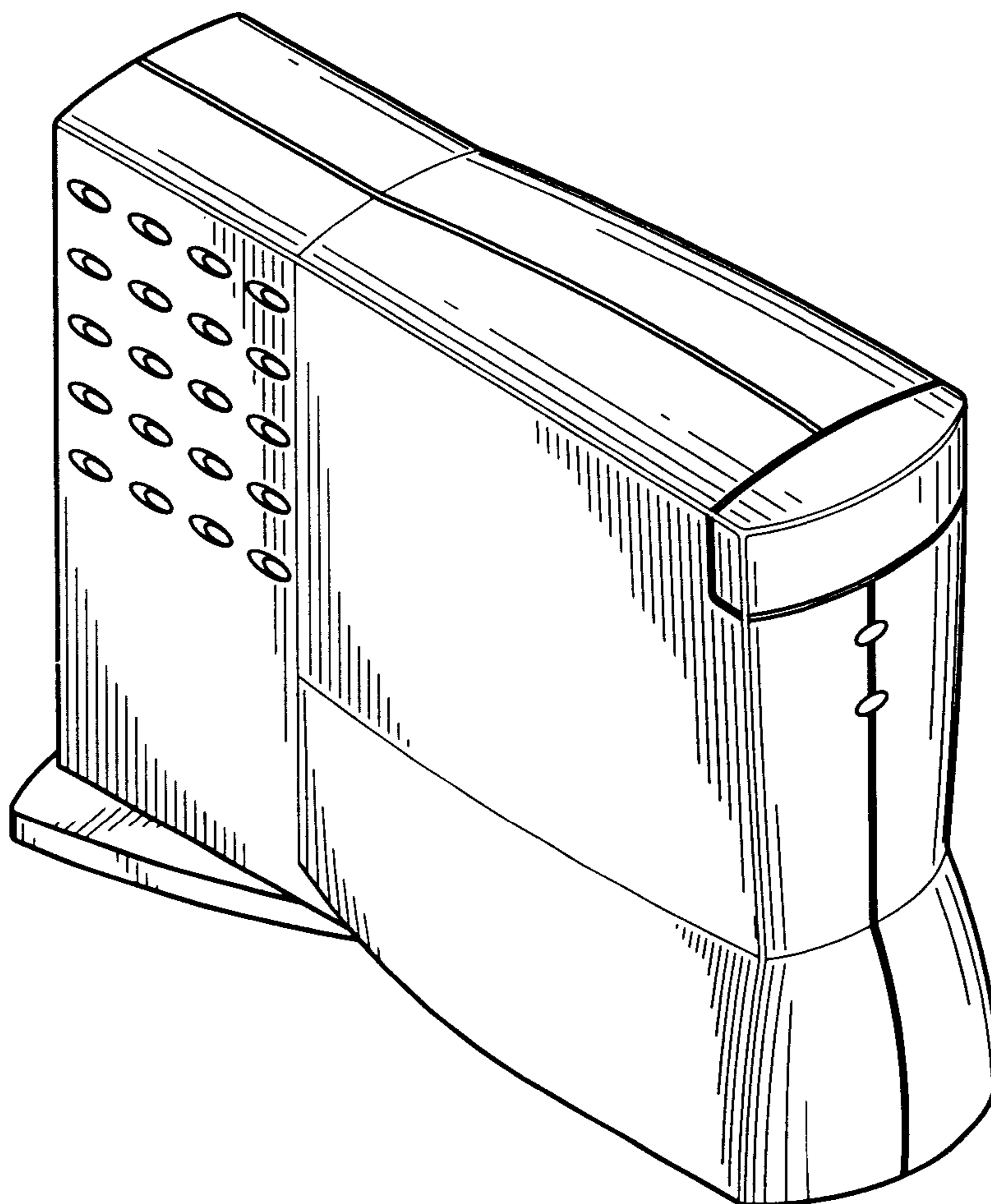
[57] **CLAIM**

The ornamental design for a telephone control module case assembly, as shown and described.

DESCRIPTION

FIG. 1 is a front, top, and left side perspective view of a telephone control module case assembly showing our new design;
FIG. 2 is a left side elevational view, the right side being a mirror image thereof;
FIG. 3 is a front elevational view thereof;
FIG. 4 is a top plan view thereof;
FIG. 5 is a rear elevational view thereof; and,
FIG. 6 is a bottom plan view thereof.

1 Claim, 2 Drawing Sheets



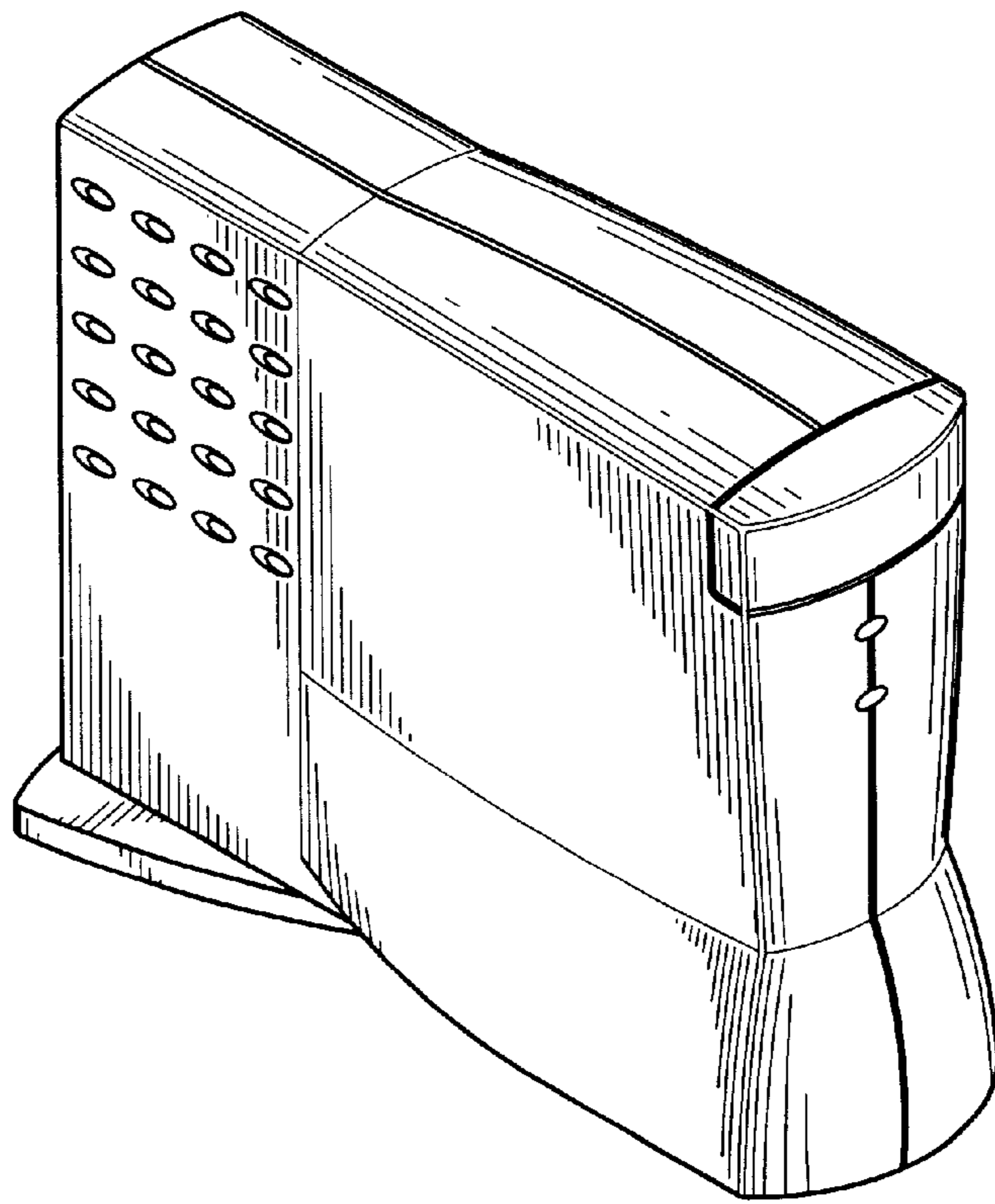


FIG. 1

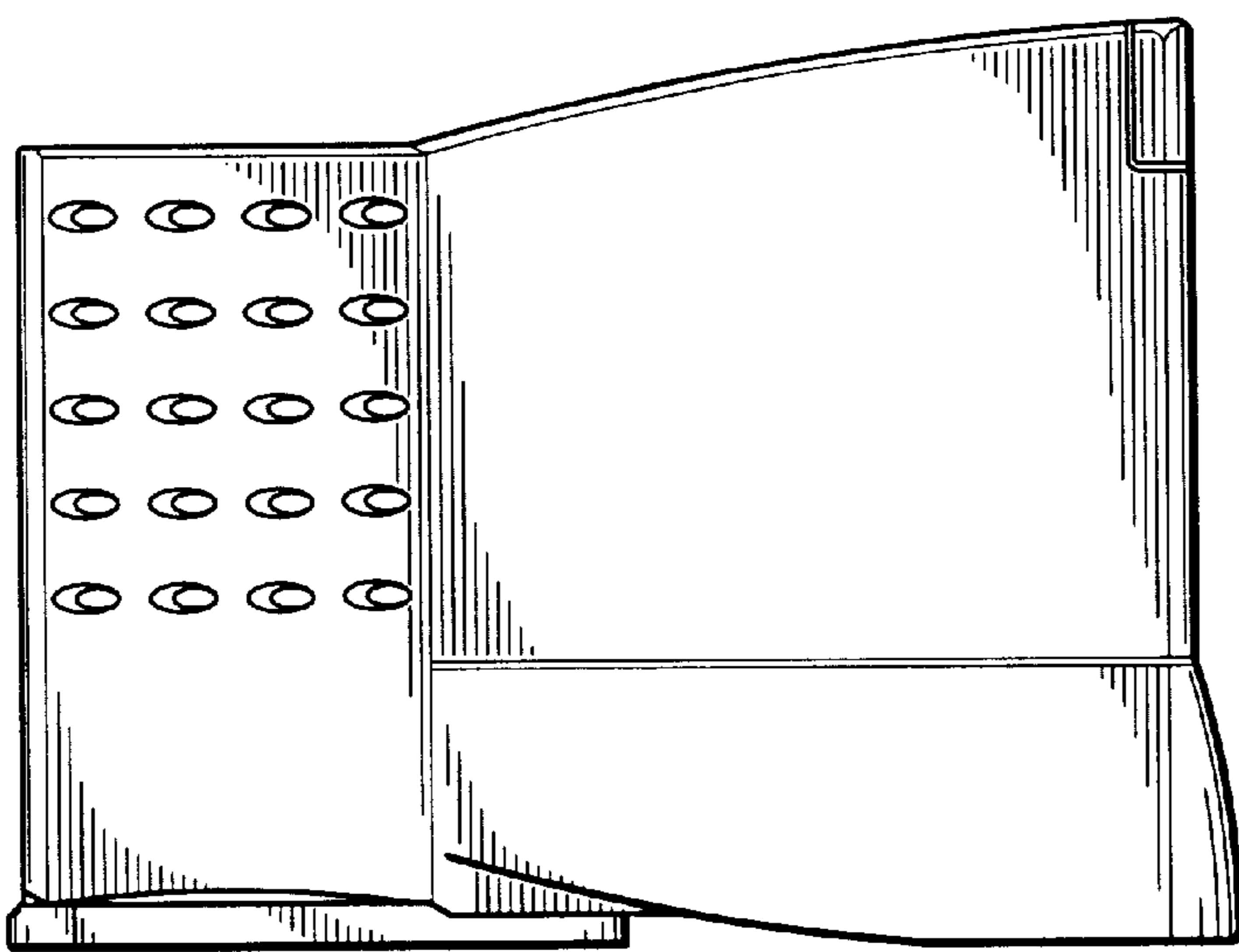


FIG. 2

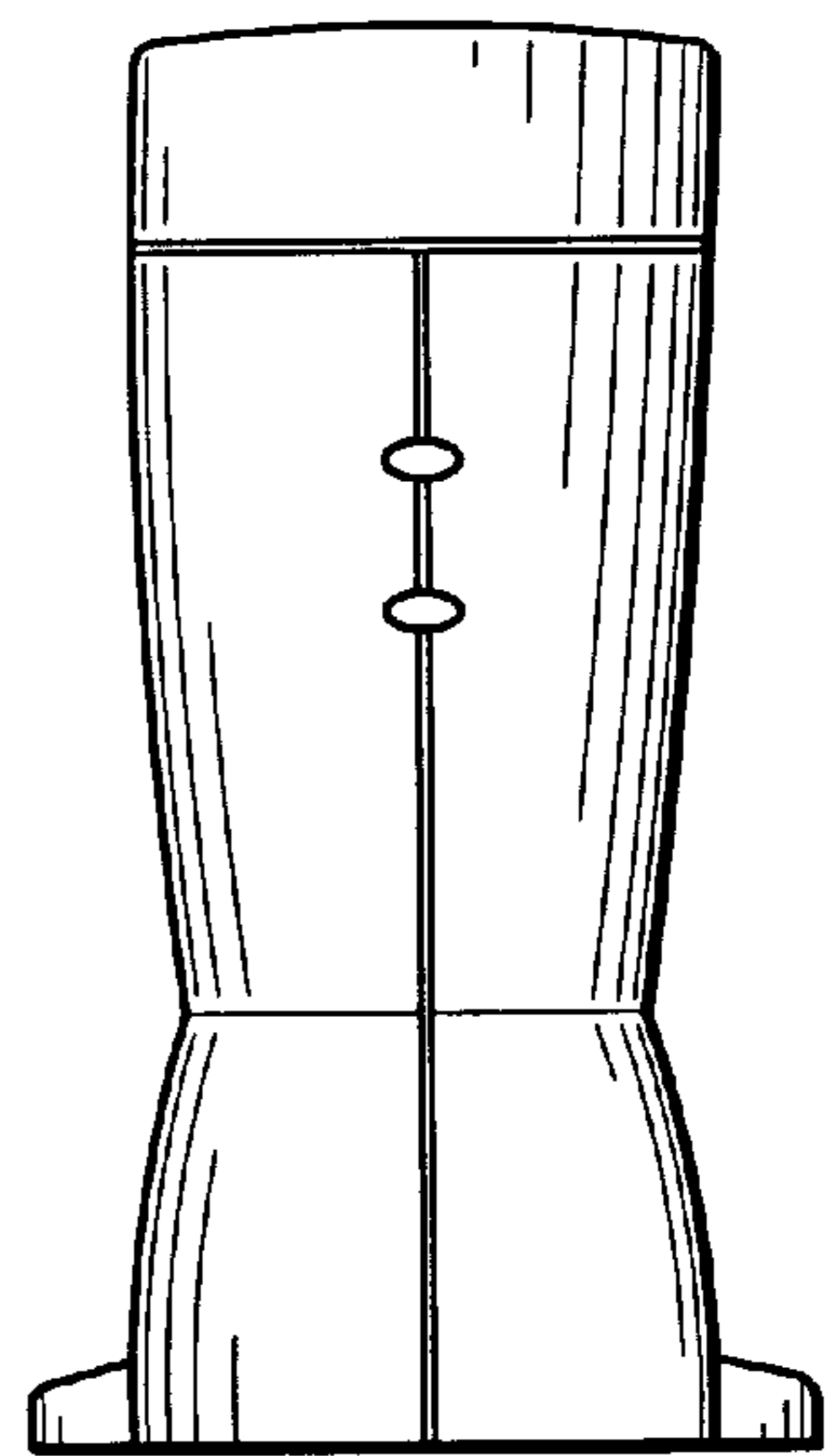


FIG. 3

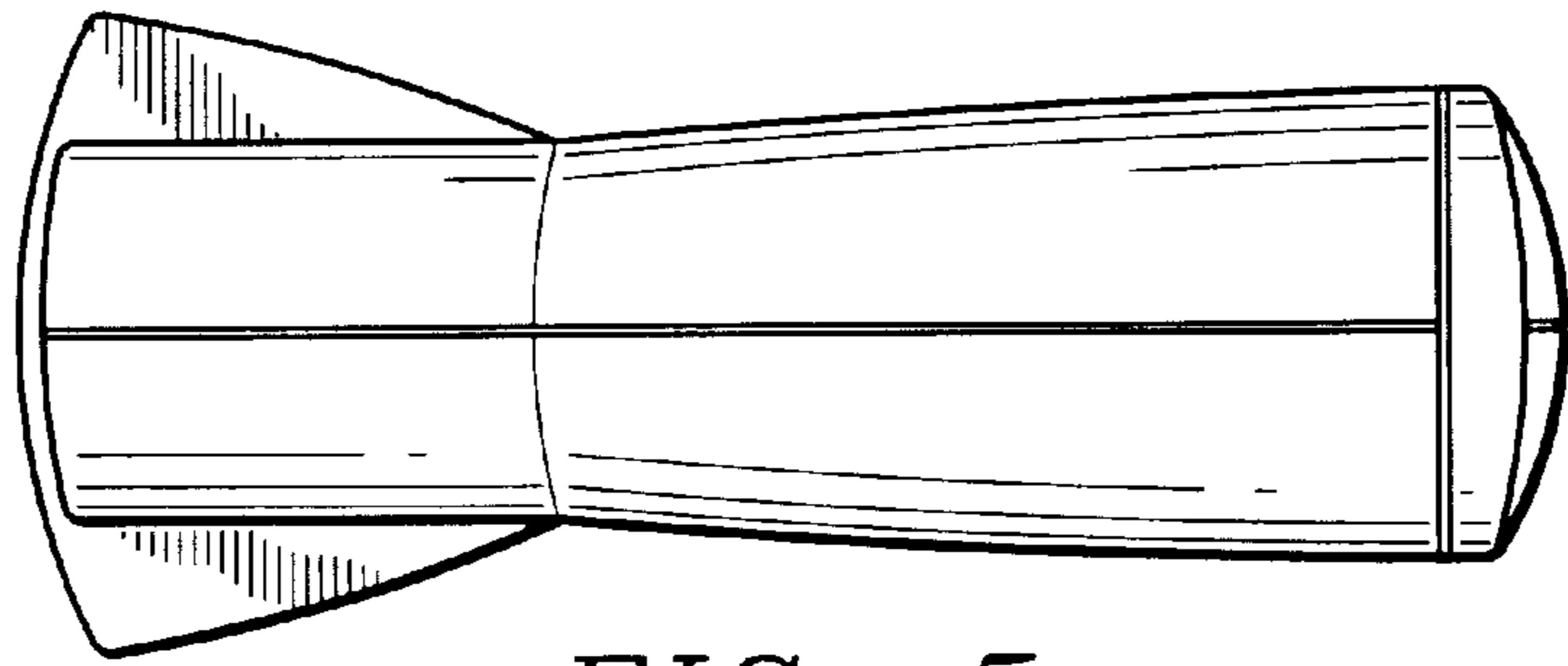


FIG. 5

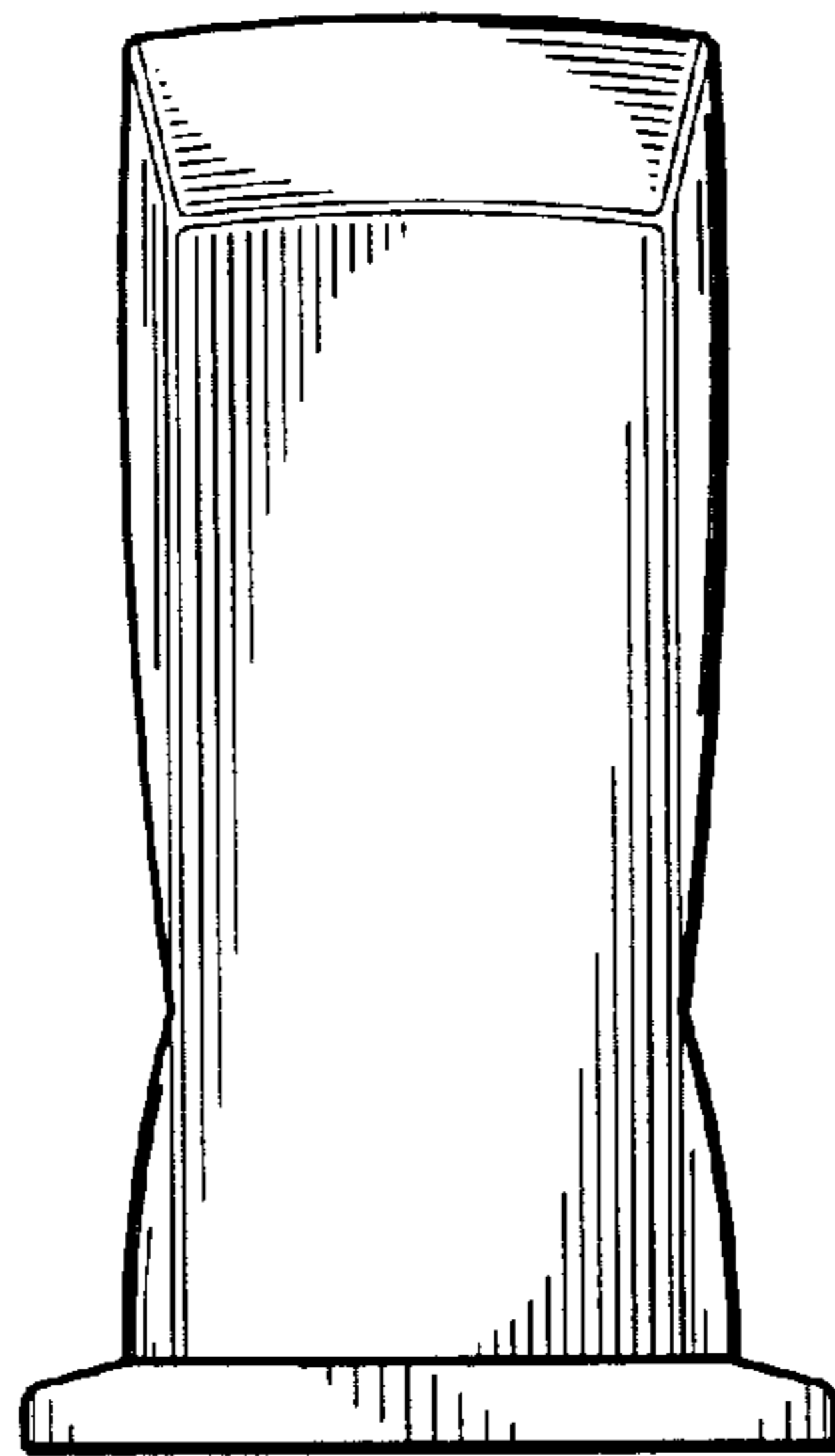


FIG. 4

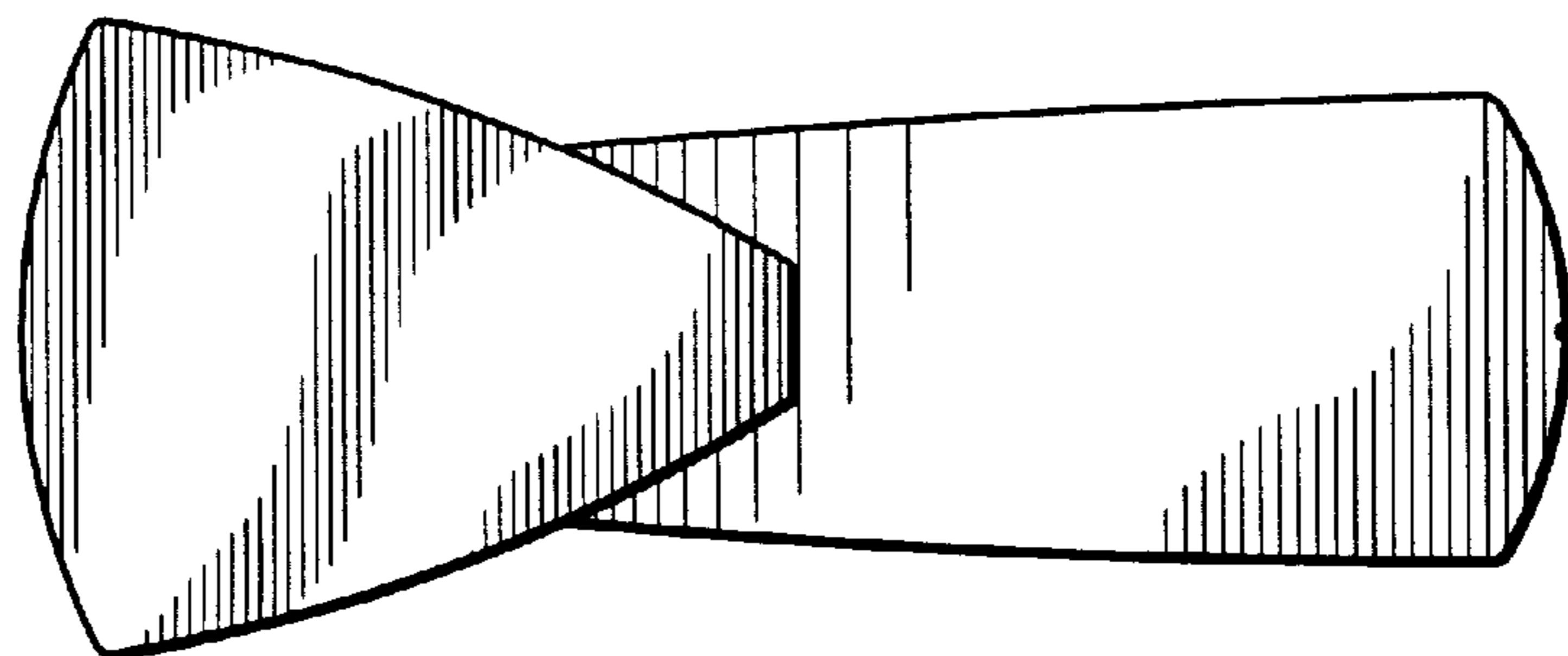


FIG. 6