



US00D414187S

# United States Patent [19]

Lange et al.

[11] Patent Number: **Des. 414,187**

[45] Date of Patent: **\*\* Sep. 21, 1999**

[54] ANTENNA

4,804,972 2/1989 Schudel ..... 343/840

[75] Inventors: **Mark J. Lange**, Camarillo;  
**Vishwanath G. Upadhye**, Moorpark,  
both of Calif.

### FOREIGN PATENT DOCUMENTS

2423876 12/1979 France ..... 343/872

[73] Assignee: **California Amplifier Company**,  
Camarillo, Calif.

*Primary Examiner*—Louis S. Zarfes  
*Assistant Examiner*—Greg Andoll  
*Attorney, Agent, or Firm*—Koppel & Jacobs

[\*\*] Term: **14 Years**

### [57] CLAIM

[21] Appl. No.: **29/081,172**

The ornamental design for an antenna, as shown and described.

[22] Filed: **Dec. 23, 1997**

### DESCRIPTION

[51] LOC (6) Cl. .... **14-03**

[52] U.S. Cl. .... **D14/231**

[58] Field of Search ..... D14/230–238;  
343/840, 872, 882

FIG. 1 is a left side elevation view of an antenna showing our new design;  
FIG. 2 is a front elevation view thereof;  
FIG. 3 is a right side elevation view thereof;  
FIG. 4 is a rear elevation view thereof; and,  
FIG. 5 is a bottom plan view thereof, the top plan view being a mirror image thereof.

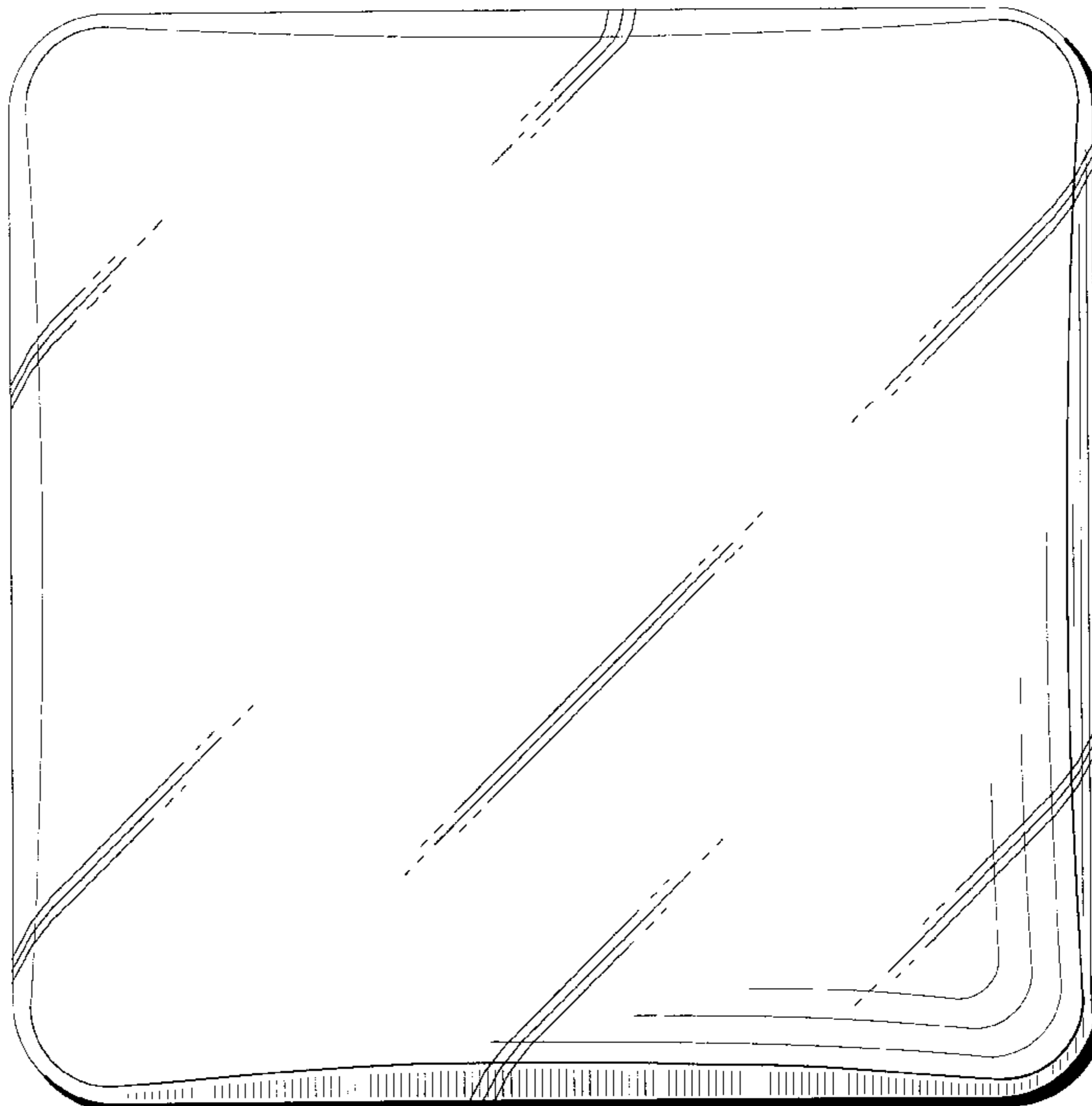
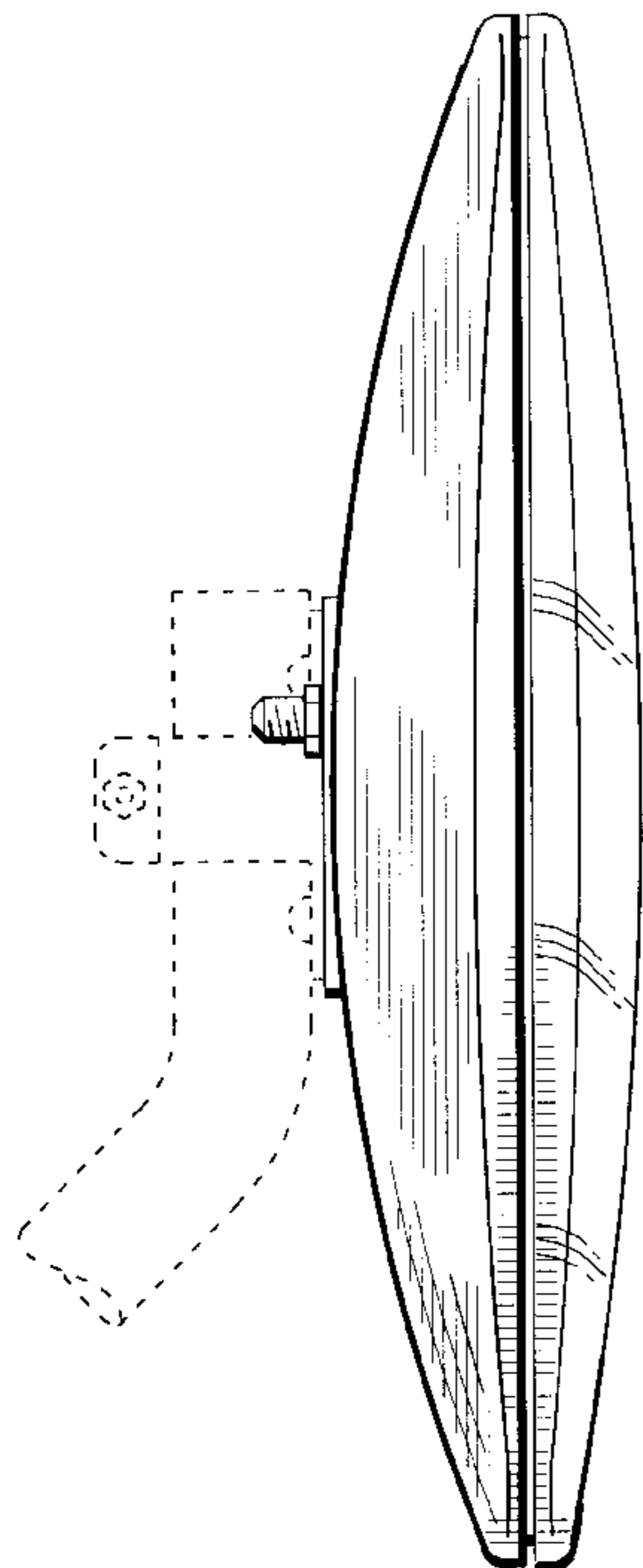
### [56] References Cited

#### U.S. PATENT DOCUMENTS

D. 363,935	11/1995	McGreevy	.....	D14/230
D. 378,592	3/1997	Hartwig et al.	.....	D14/230
2,942,265	6/1960	Ratkevich	.....	343/872
4,079,382	3/1978	Henry	.....	343/840
4,639,734	1/1987	Schock	.....	343/840

The broken line showing of an environmental mounting structure in FIGS. 1 and 3 is for illustrative purposes only and forms no part of the claimed design.

**1 Claim, 4 Drawing Sheets**



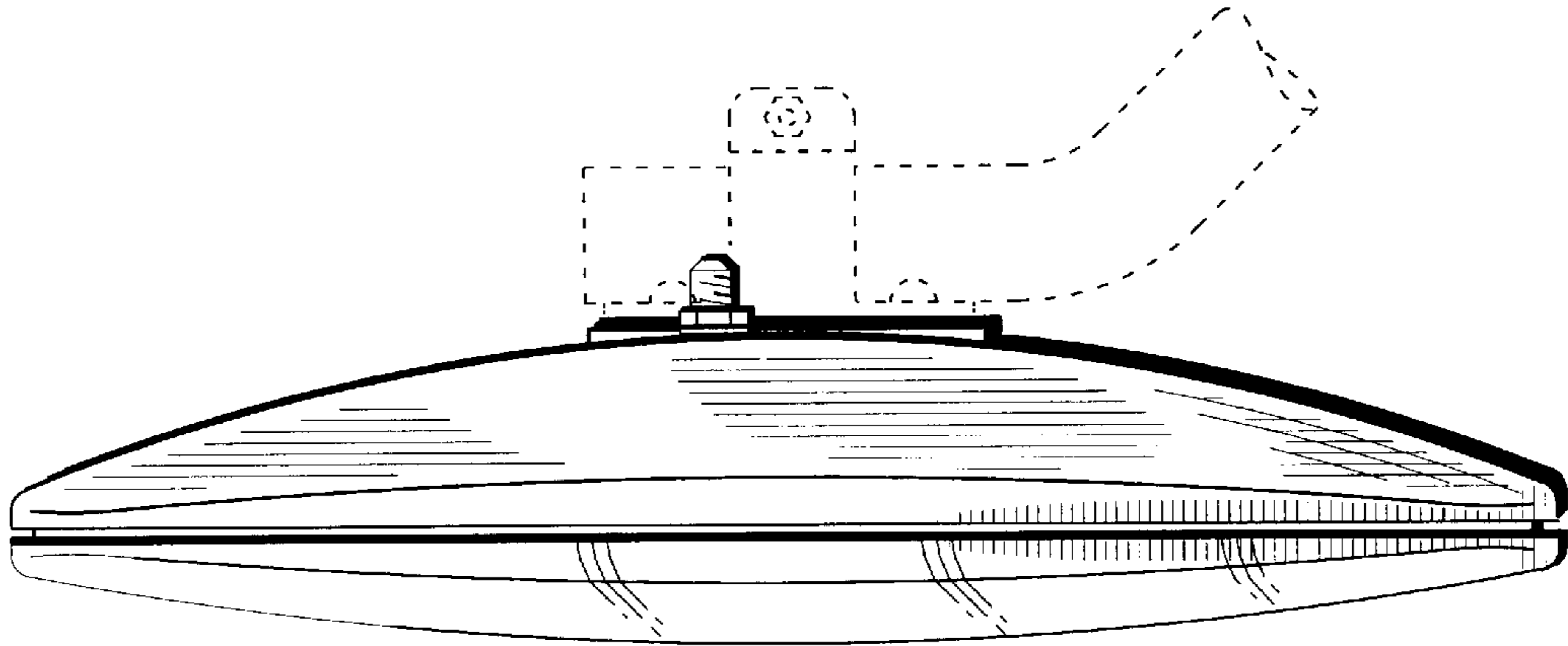


FIG. 3

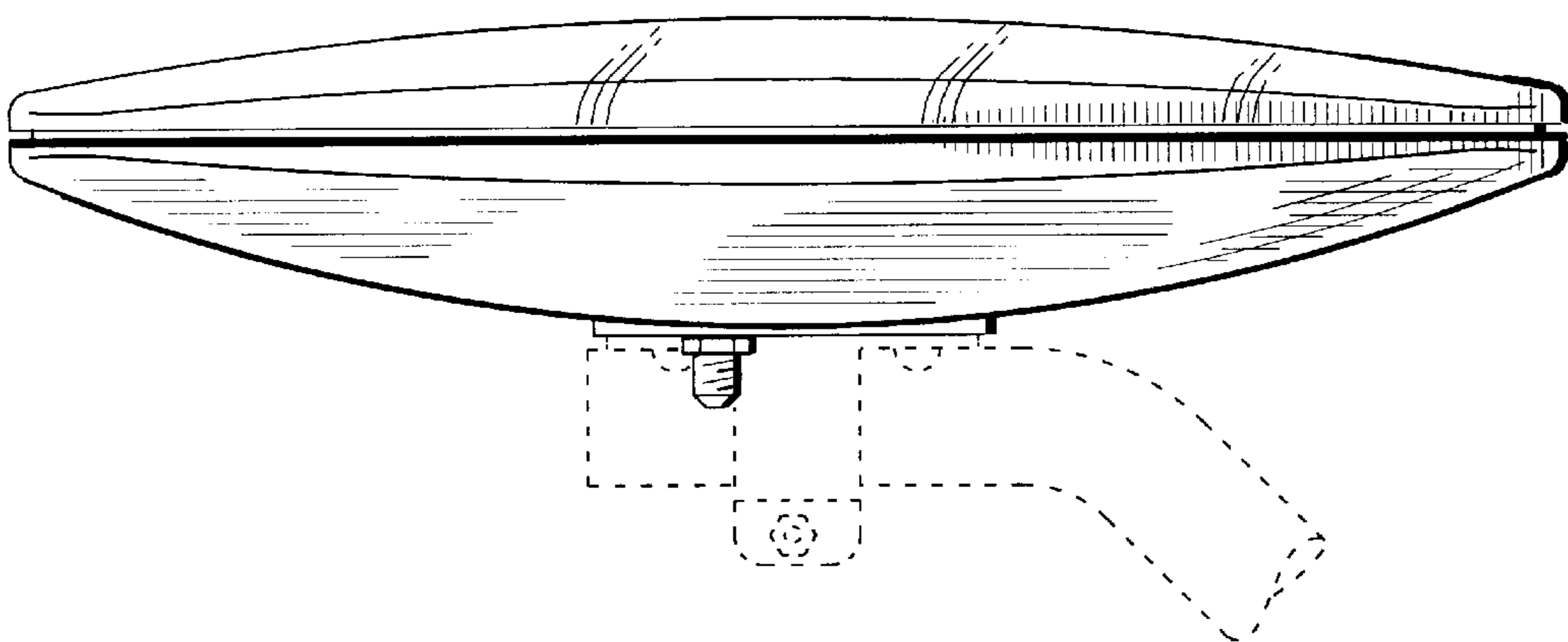


FIG. 1

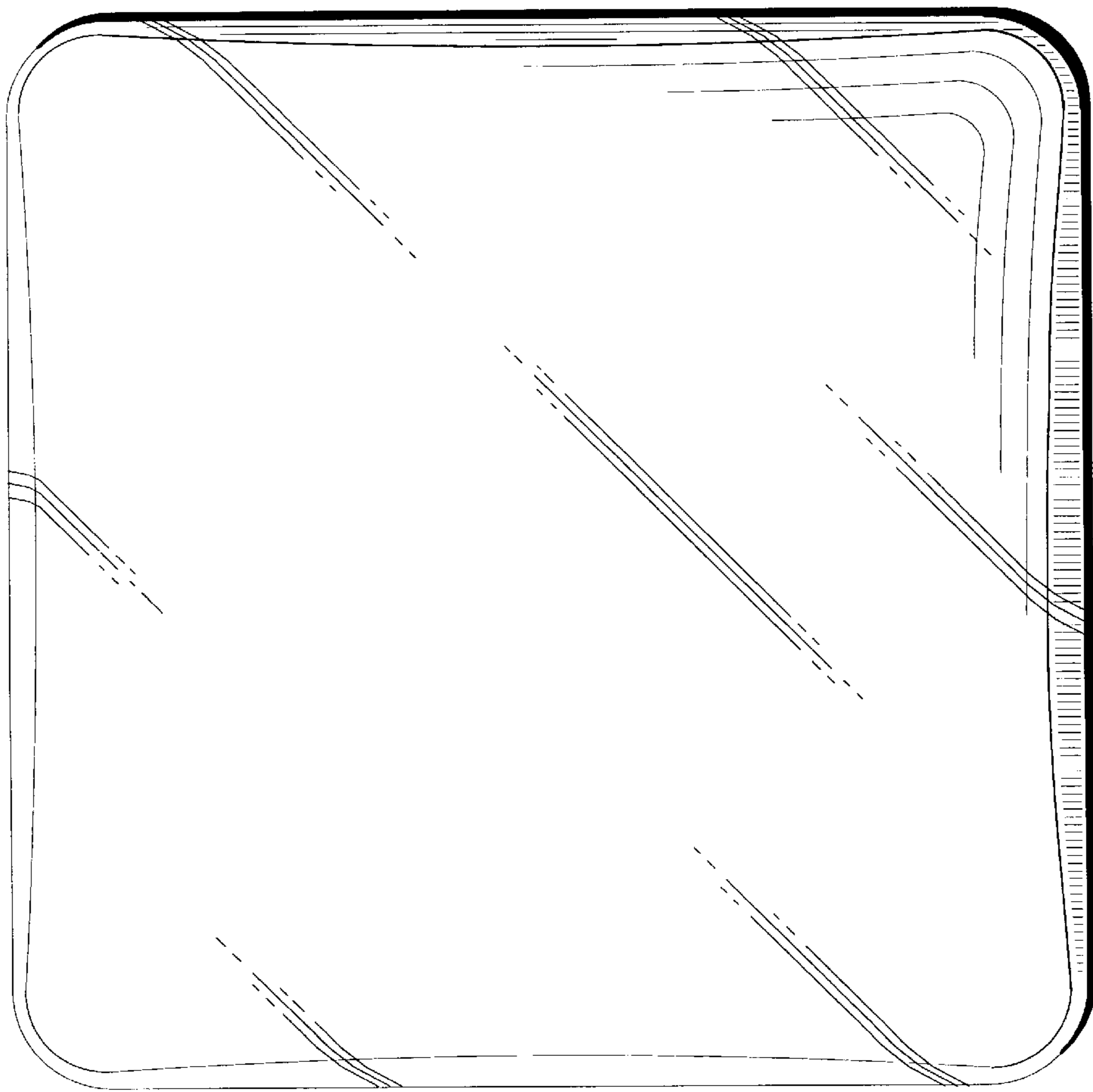


FIG. 2

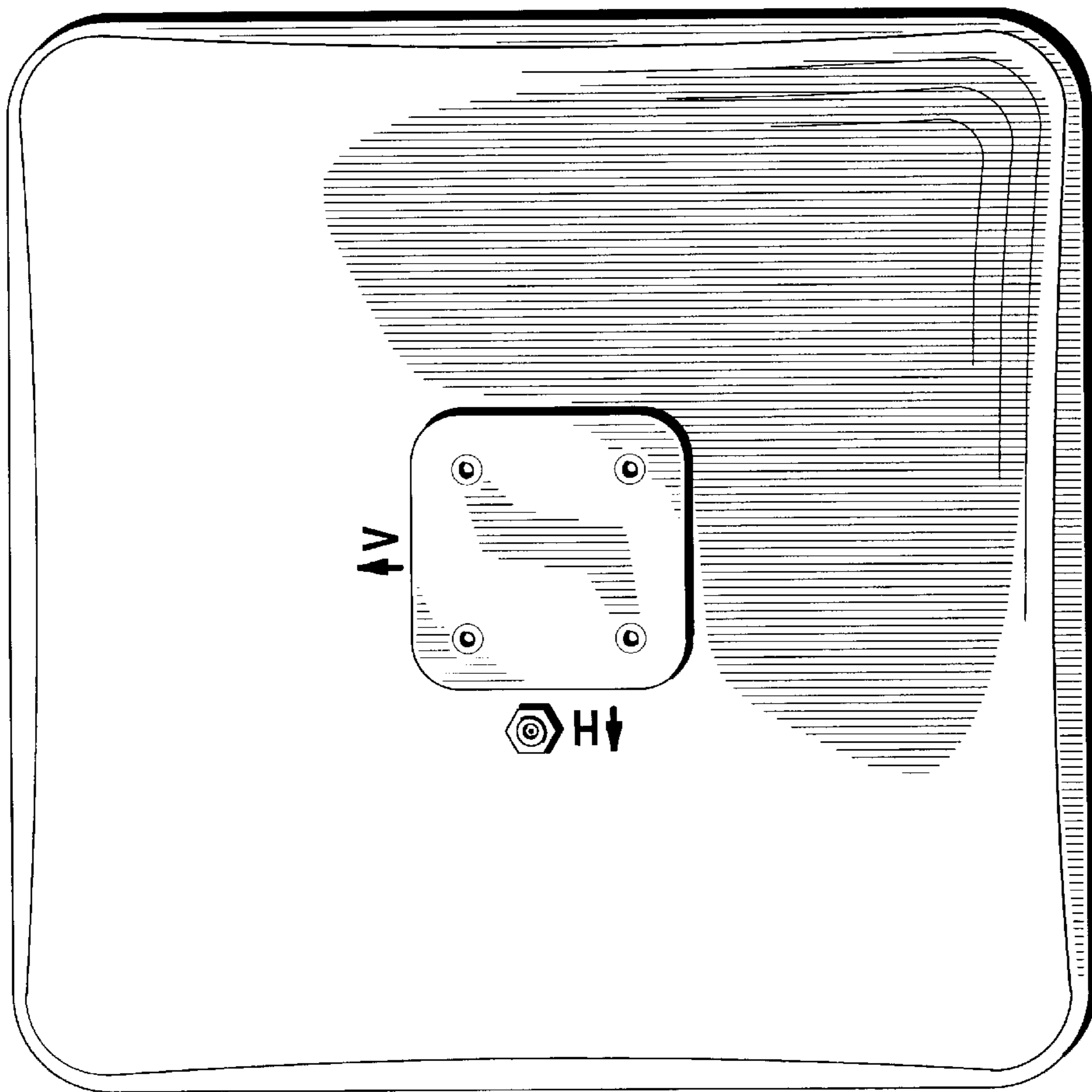


FIG. 4

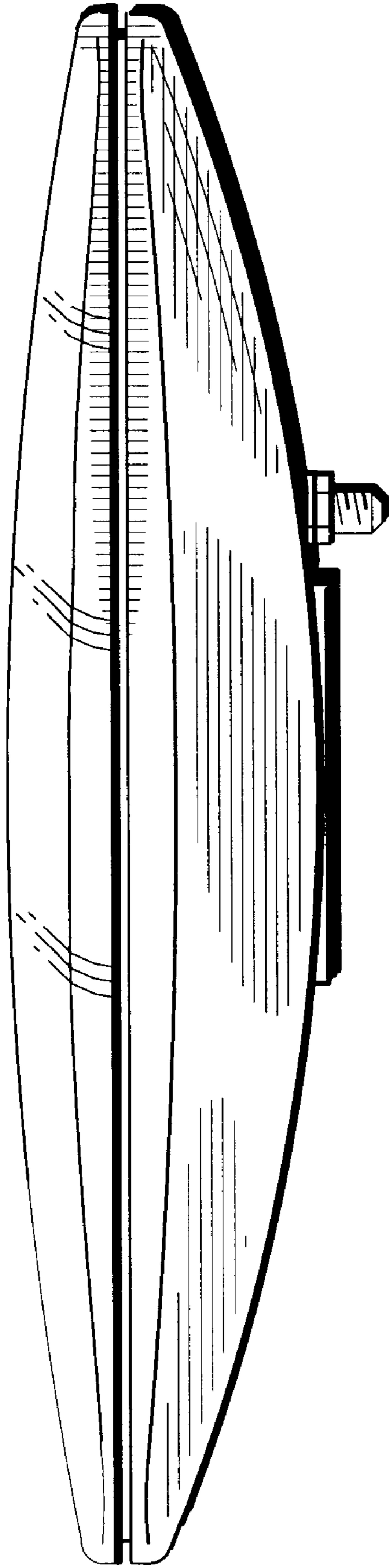


FIG. 5