



US00D414183S

United States Patent [19] Honjo

[11] **Patent Number: Des. 414,183**

[45] **Date of Patent: ** Sep. 21, 1999**

[54] **DISC RECORDER**

5,301,178 4/1994 Okabe 369/77.1

[75] Inventor: **Hiroshi Honjo**, Tokyo, Japan

OTHER PUBLICATIONS

[73] Assignee: **Sony Corporation**, Tokyo, Japan

Catalog "Telaffy", No. 16, pp. 32, 42 & 43, Santec (Nov. 30, 1997).

[**] Term: **14 Years**

Primary Examiner—Nanda Bondade
Attorney, Agent, or Firm—Foley & Lardner

[21] Appl. No.: **29/093,750**

[22] Filed: **Sep. 17, 1998**

[57] CLAIM

[51] **LOC (6) Cl.** **14-01**

[52] **U.S. Cl.** **D14/156**

[58] **Field of Search** D14/107, 109,
D14/135-136, 156-157, 160-162, 164,
167-168, 188, 197, 198, 257-260, 265,
299; 312/7.1; 369/75.1, 77.1, 77.2

The ornamental design for a disc recorder, as shown and described.

DESCRIPTION

[56] References Cited

U.S. PATENT DOCUMENTS

D. 357,015	4/1995	Ikenaga	D14/156
D. 383,735	9/1997	Privitera et al.	D14/107
D. 385,879	11/1997	Isonaga	D14/156
4,979,160	12/1990	Araki	369/77.1

FIG. 1 is a perspective view of a disc recorder showing my new design;
FIG. 2 is a top plan view thereof;
FIG. 3 is a left side elevational view thereof;
FIG. 4 is a front elevational view thereof;
FIG. 5 is a bottom plan view thereof;
FIG. 6 is a right side elevational view thereof; and,
FIG. 7 is a rear elevational view thereof.

1 Claim, 4 Drawing Sheets

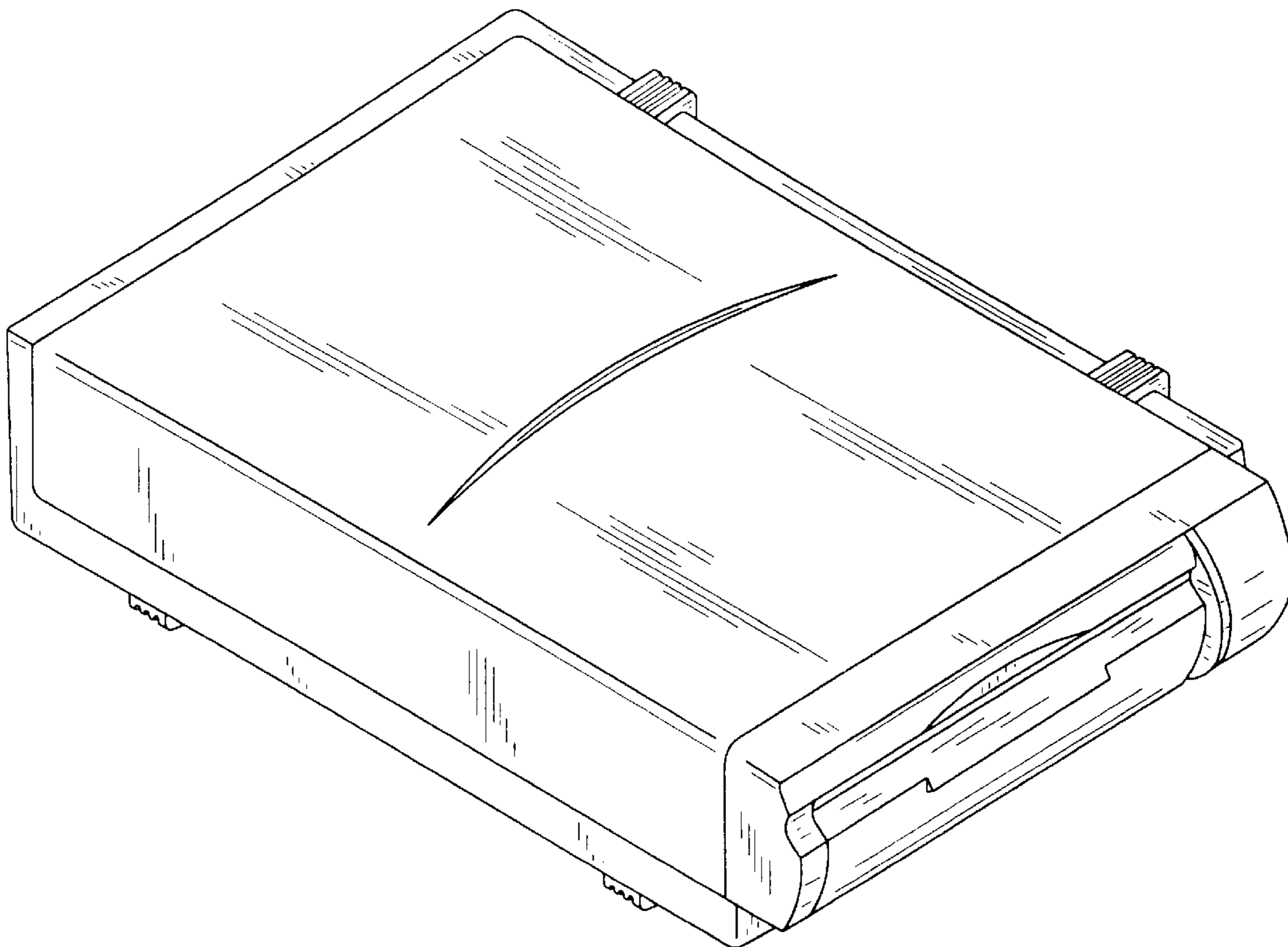


FIG. 1

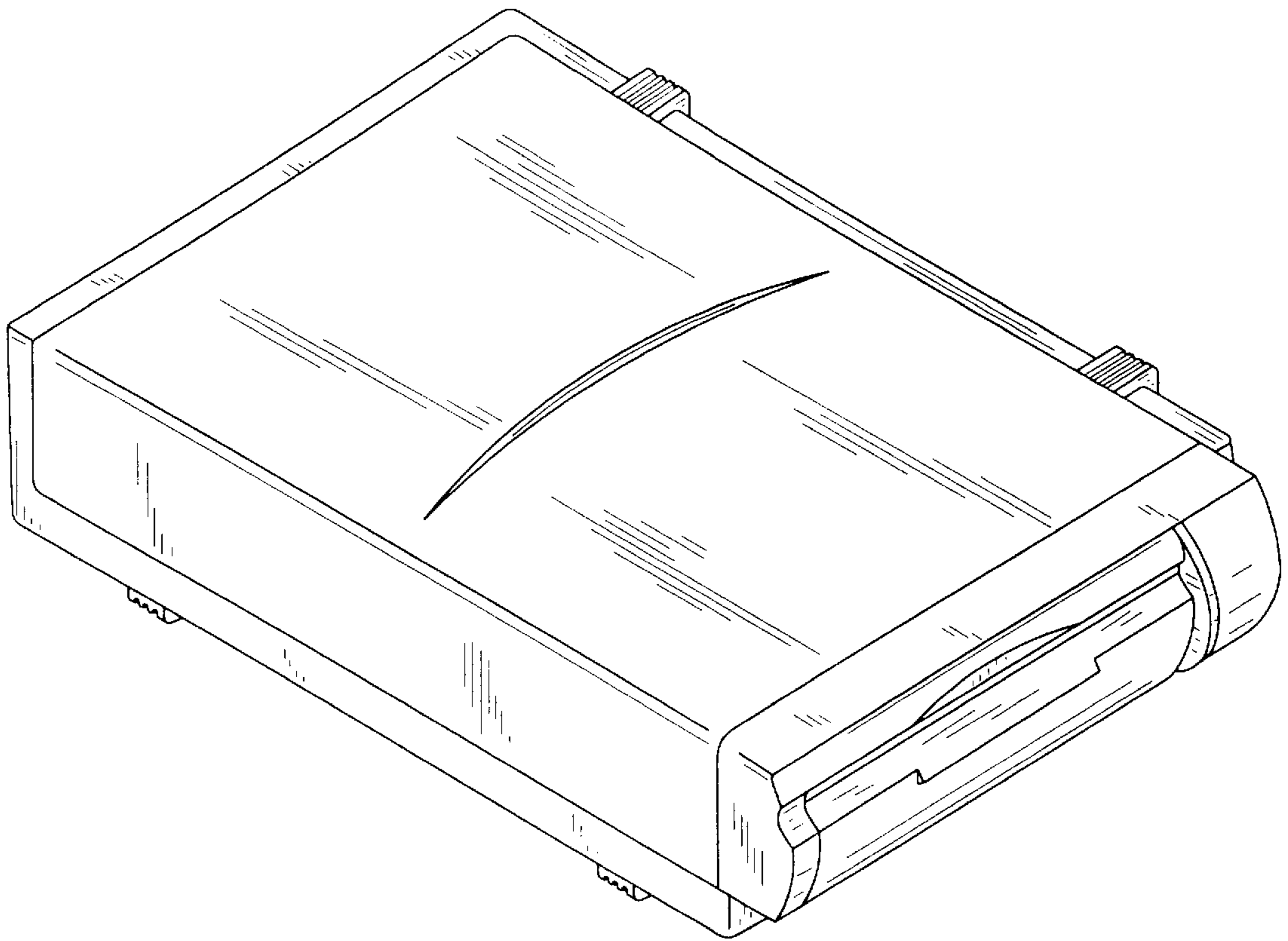


FIG. 5

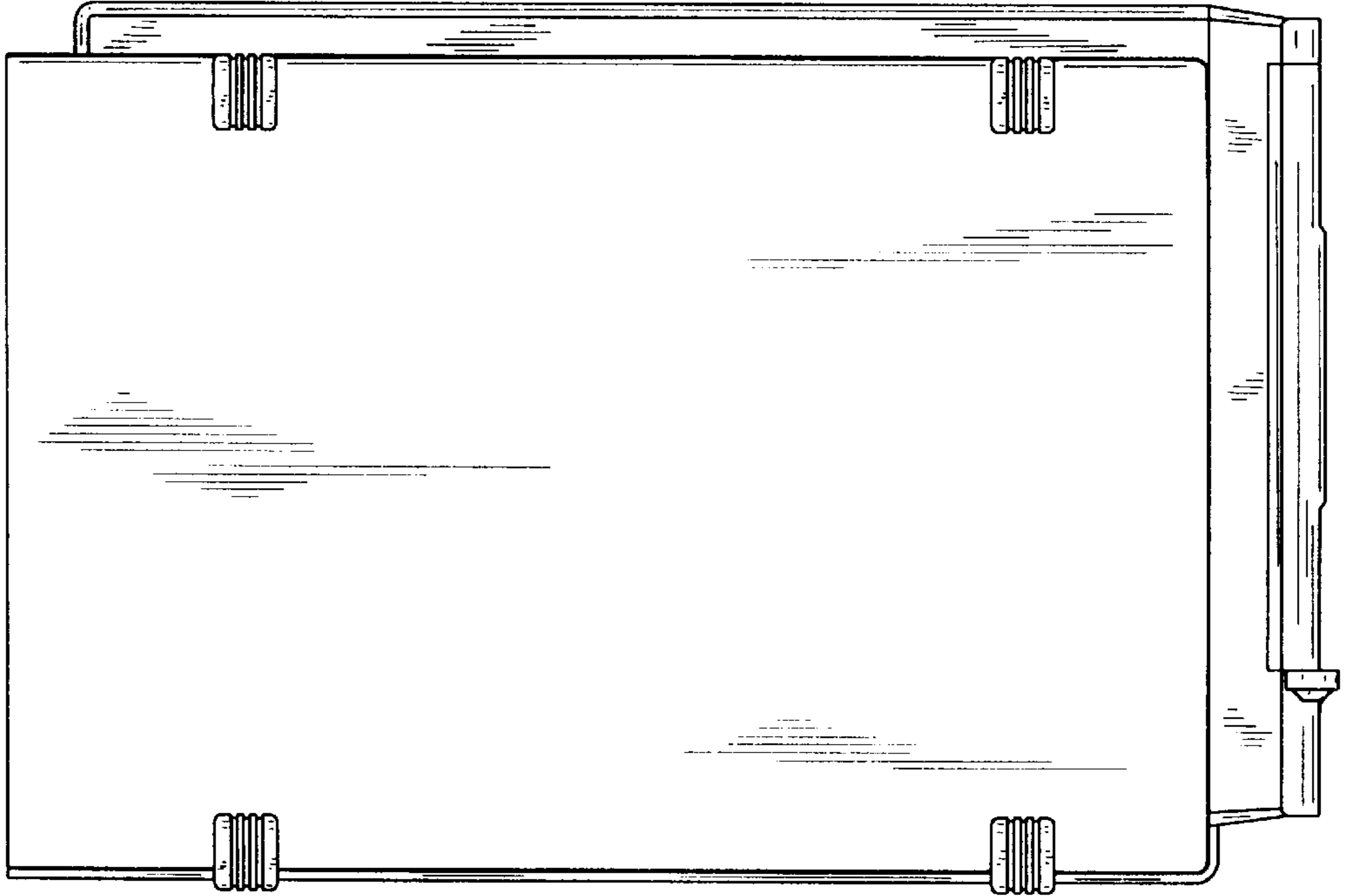


FIG. 2

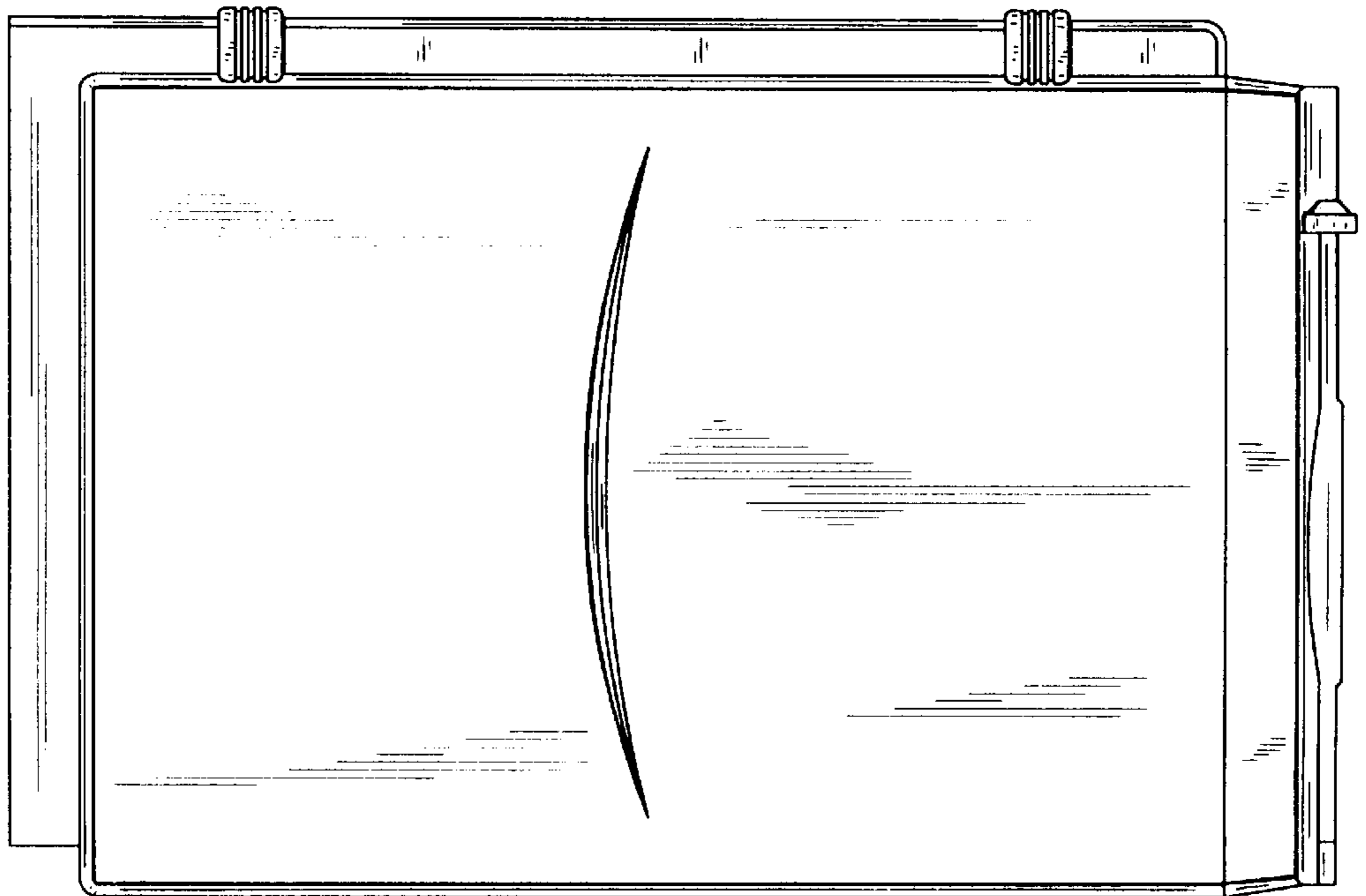


FIG. 3

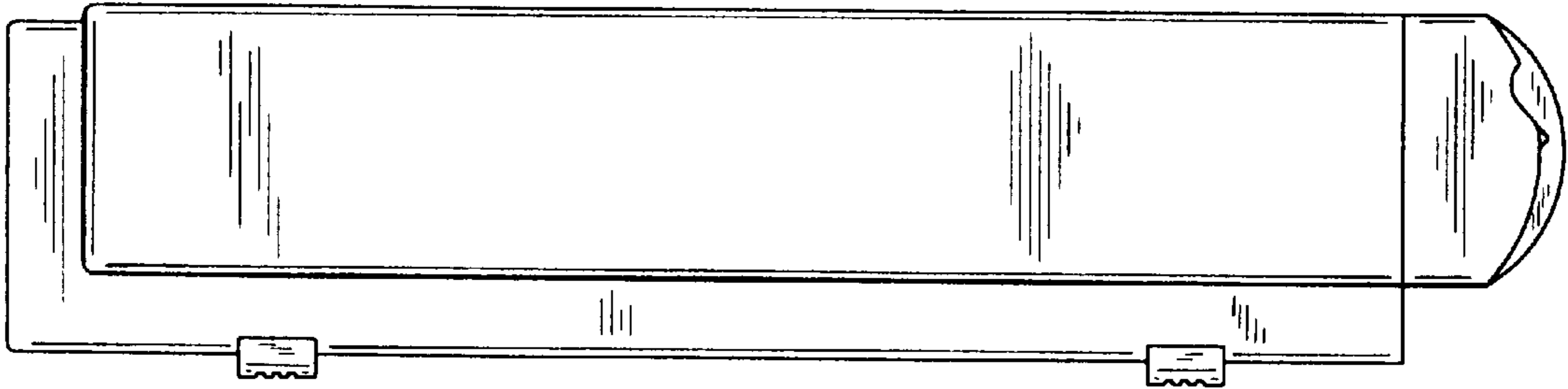


FIG. 6

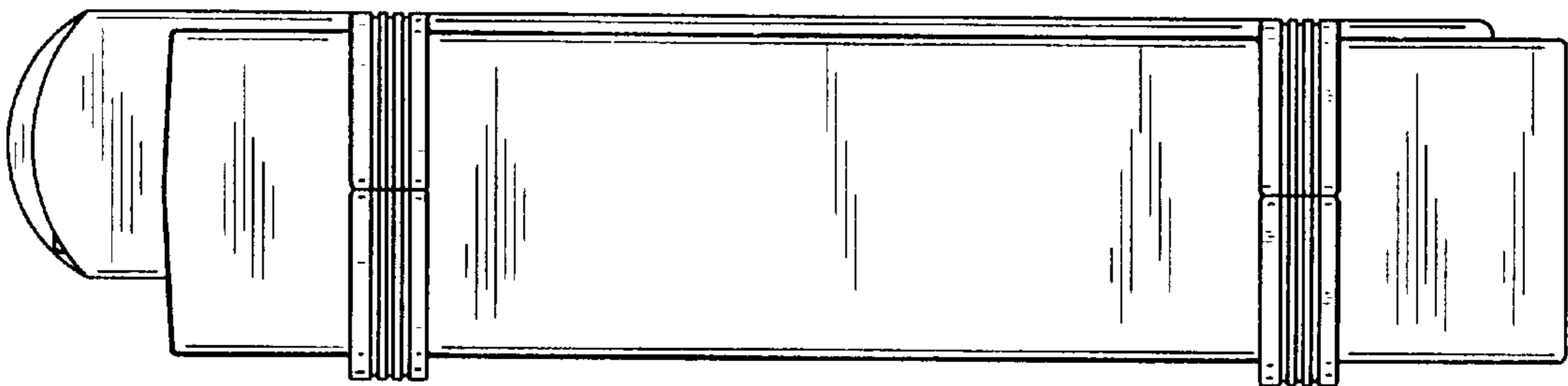


FIG. 4

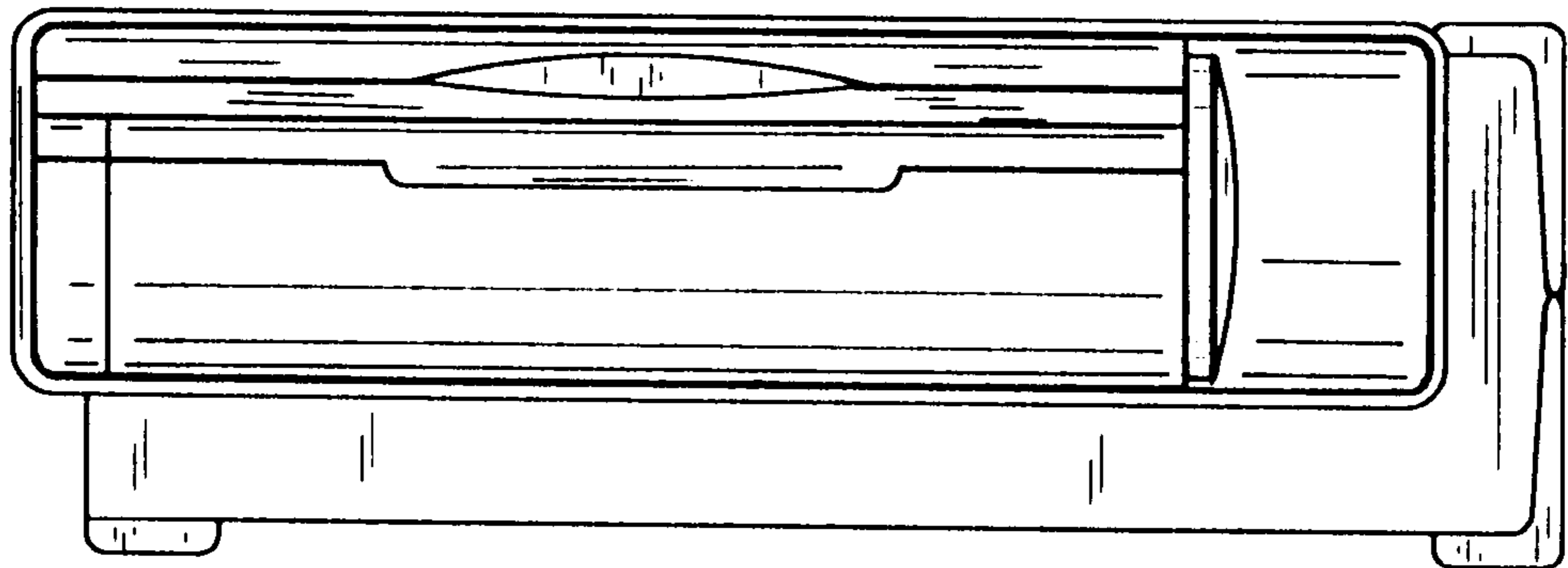


FIG. 7

