



US00D414178S

United States Patent [19]

Loubert et al.

[11] Patent Number: Des. 414,178

[45] Date of Patent: ** Sep. 21, 1999

[54] TRANSCEIVER ENCLOSURE

[75] Inventors: Gary B. Loubert, Carp; Robert D. McCulloch, Ottawa; David G. McEwing, Stittsville; Stephen J. Mildenerger, Kanata; Todd A. Wood, Ottawa, all of Canada

[73] Assignee: Instantel, Inc., Kanata, Canada

[**] Term: 14 Years

[21] Appl. No.: 29/073,965

[22] Filed: Jul. 24, 1997

[30] Foreign Application Priority Data

Jan. 24, 1997 [CA] Canada 1997-0142

[51] LOC (6) Cl. 14-03

[52] U.S. Cl. D14/137

[58] Field of Search D14/137, 140, D14/142, 240, 242, 107, 102, 114, 155, 159; 455/90, 127, 422, 88, 73; 359/152; 375/219, 257; D13/184, 162, 164; 174/50; 361/600, 605, 694; 379/419, 420, 428, 440, 399

[56] References Cited

U.S. PATENT DOCUMENTS

D. 285,306 8/1986 Joffe et al. D14/102

D. 294,566	3/1988	Boytor	D13/164
D. 316,707	5/1991	Allgeier	D14/107
D. 319,630	9/1991	Hudson	D13/184
D. 325,902	5/1992	Hudson	D13/162 X
D. 335,670	5/1993	Kerr et al.	D13/184 X
D. 341,574	11/1993	Fiorella et al.	D14/102
D. 356,302	3/1995	Studebaker et al.	D14/107
D. 363,085	10/1995	Cameron	D14/100 X
D. 365,348	12/1995	Card et al.	D14/240
D. 371,781	7/1996	Nowak et al.	D14/137
D. 374,673	10/1996	Beaumont et al.	D14/240
D. 375,950	11/1996	Jones et al.	D14/173

Primary Examiner—Jeffrey Asch
Attorney, Agent, or Firm—Welsh & Katz, Ltd.

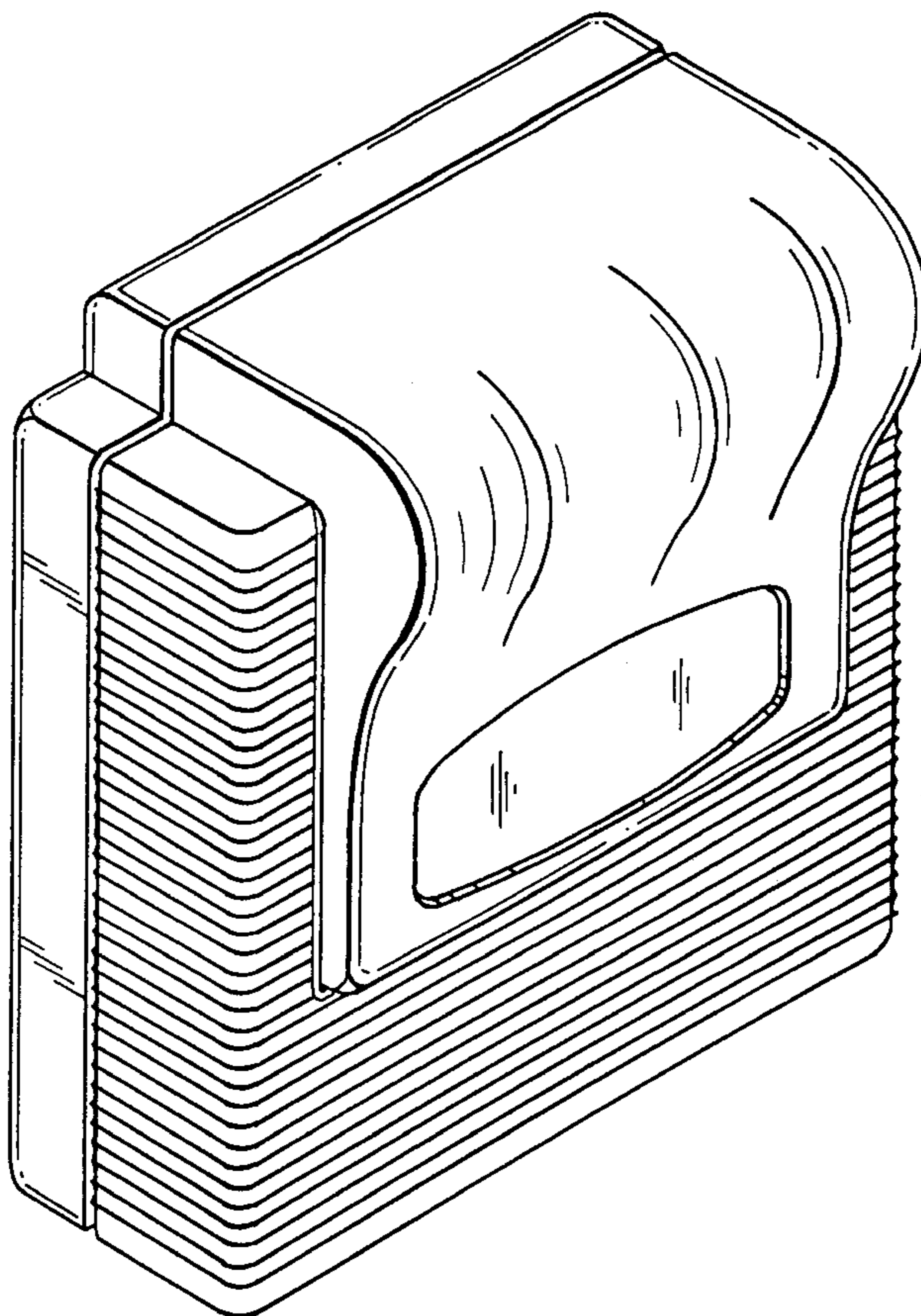
[57] CLAIM

The ornamental design for a transceiver enclosure, as shown and described.

DESCRIPTION

FIG. 1 is a top view of the transceiver enclosure in accordance with an embodiment of the invention; FIG. 2 is a rear view of the enclosure of FIG. 1; FIG. 3 is a bottom view of the enclosure of FIG. 1; FIG. 4 is a front view of the enclosure of FIG. 1; FIG. 5 is a left side view of the enclosure of FIG. 1; FIG. 6 is a right side view of the enclosure of FIG. 1; and, FIG. 7 is a top perspective view of the enclosure of FIG. 1.

1 Claim, 4 Drawing Sheets



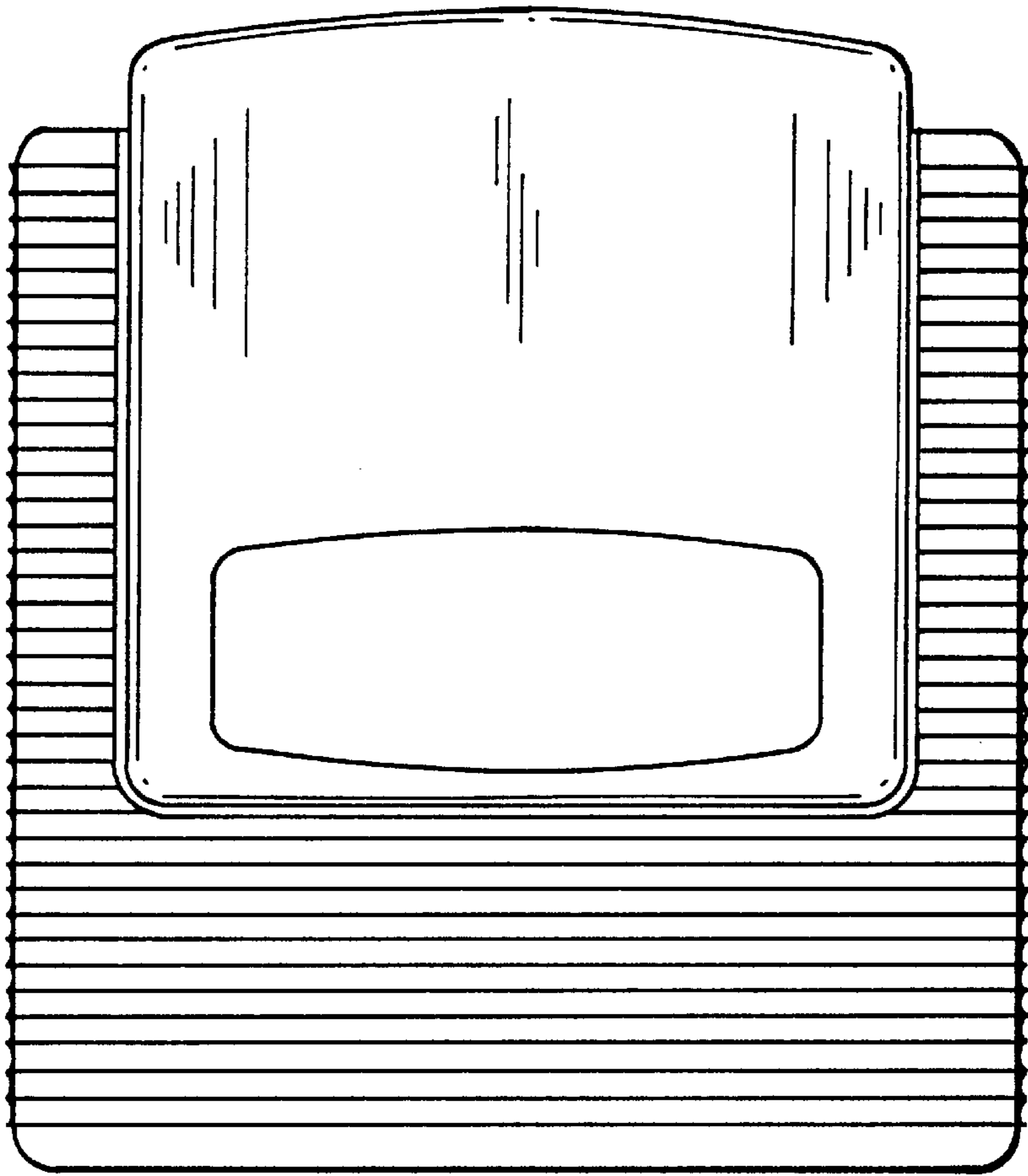


FIG. 1

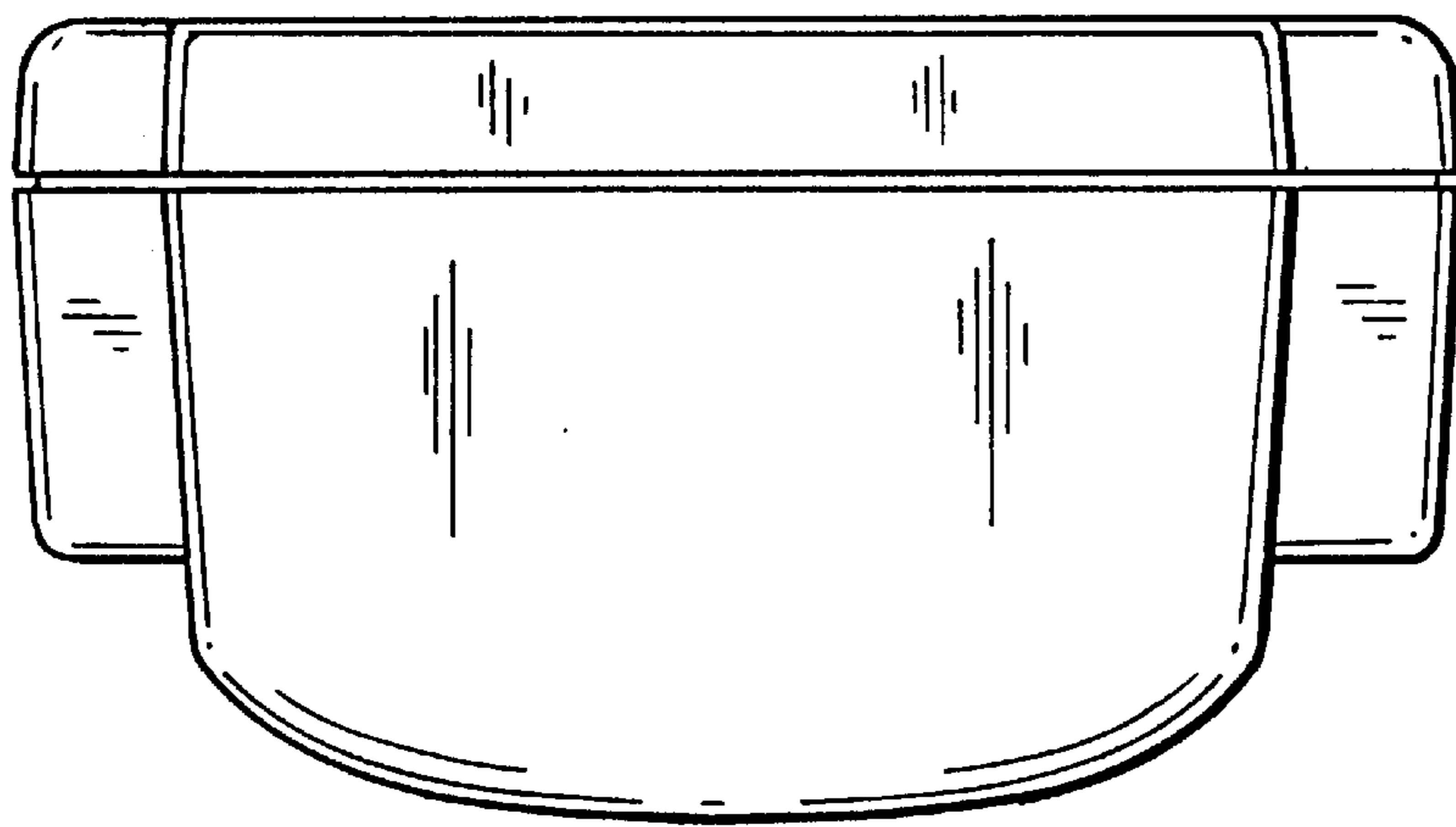


FIG. 2

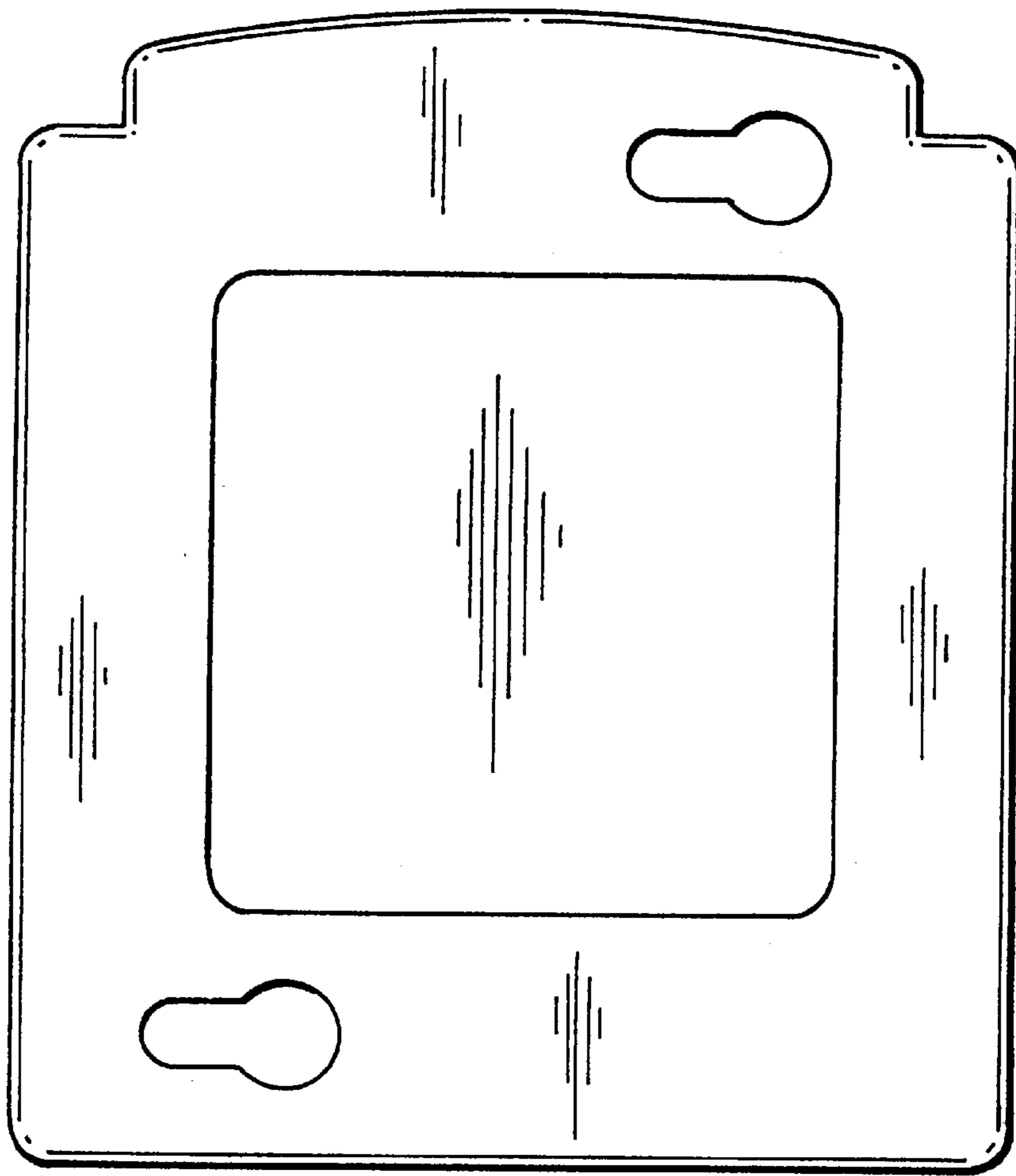


FIG. 3

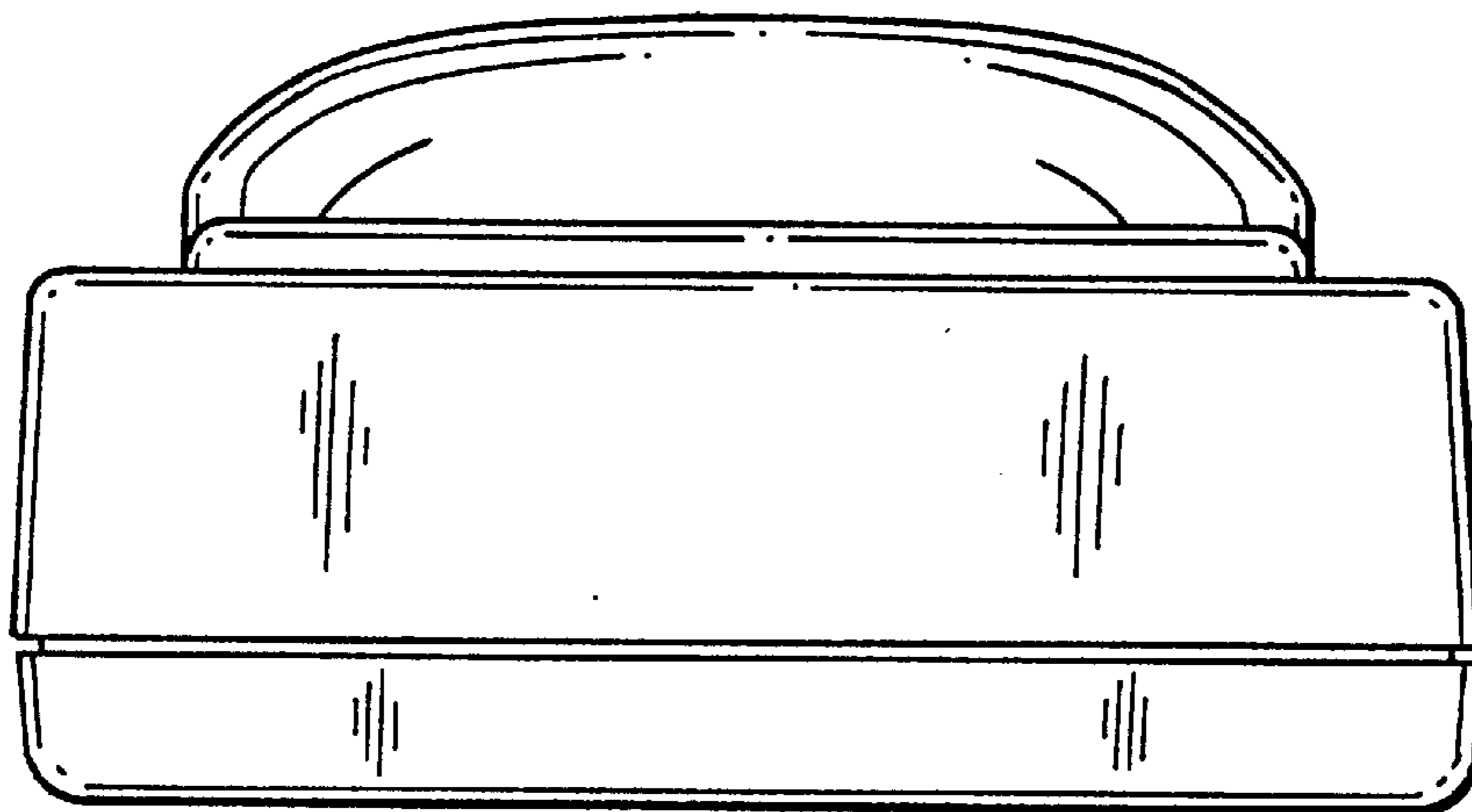


FIG. 4

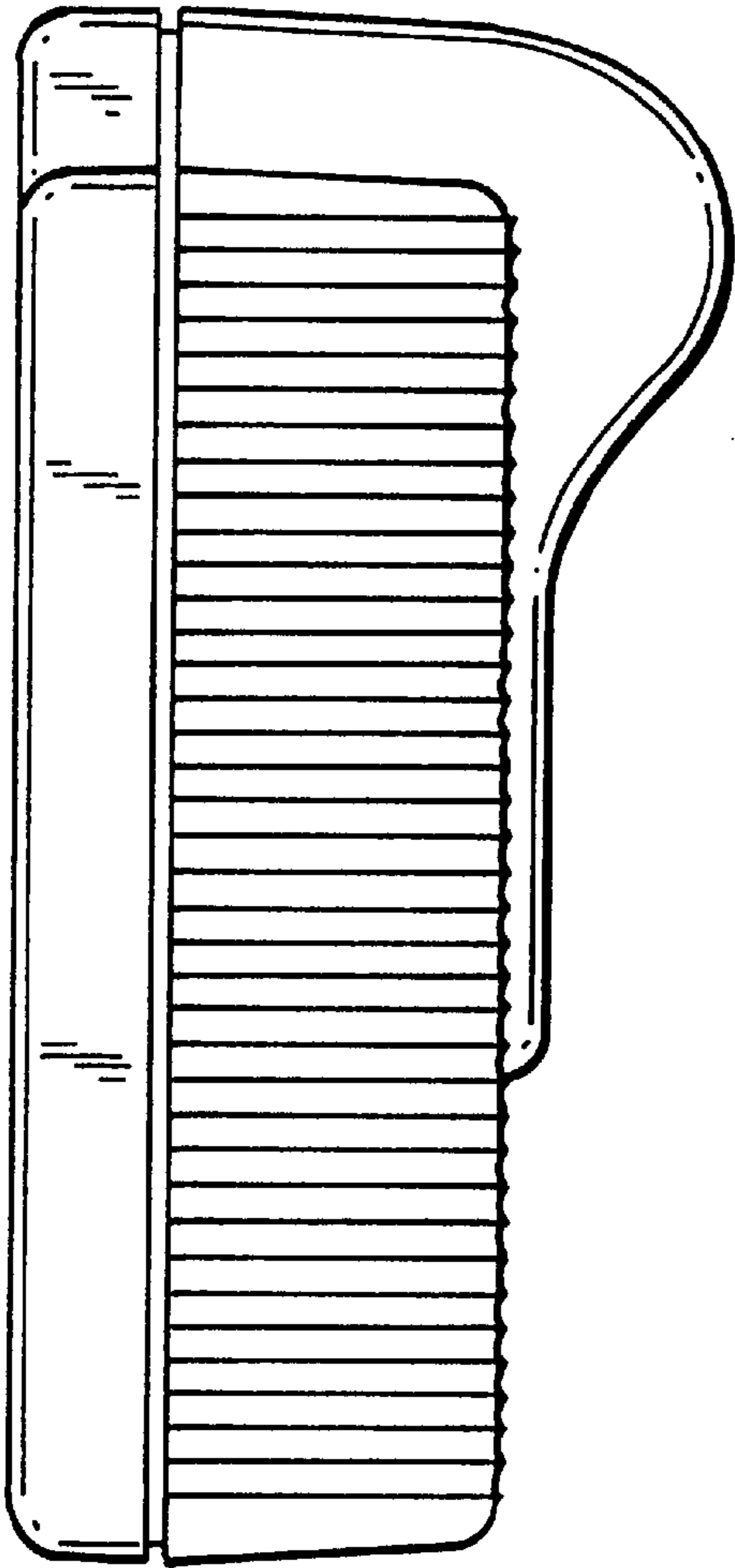


FIG. 5

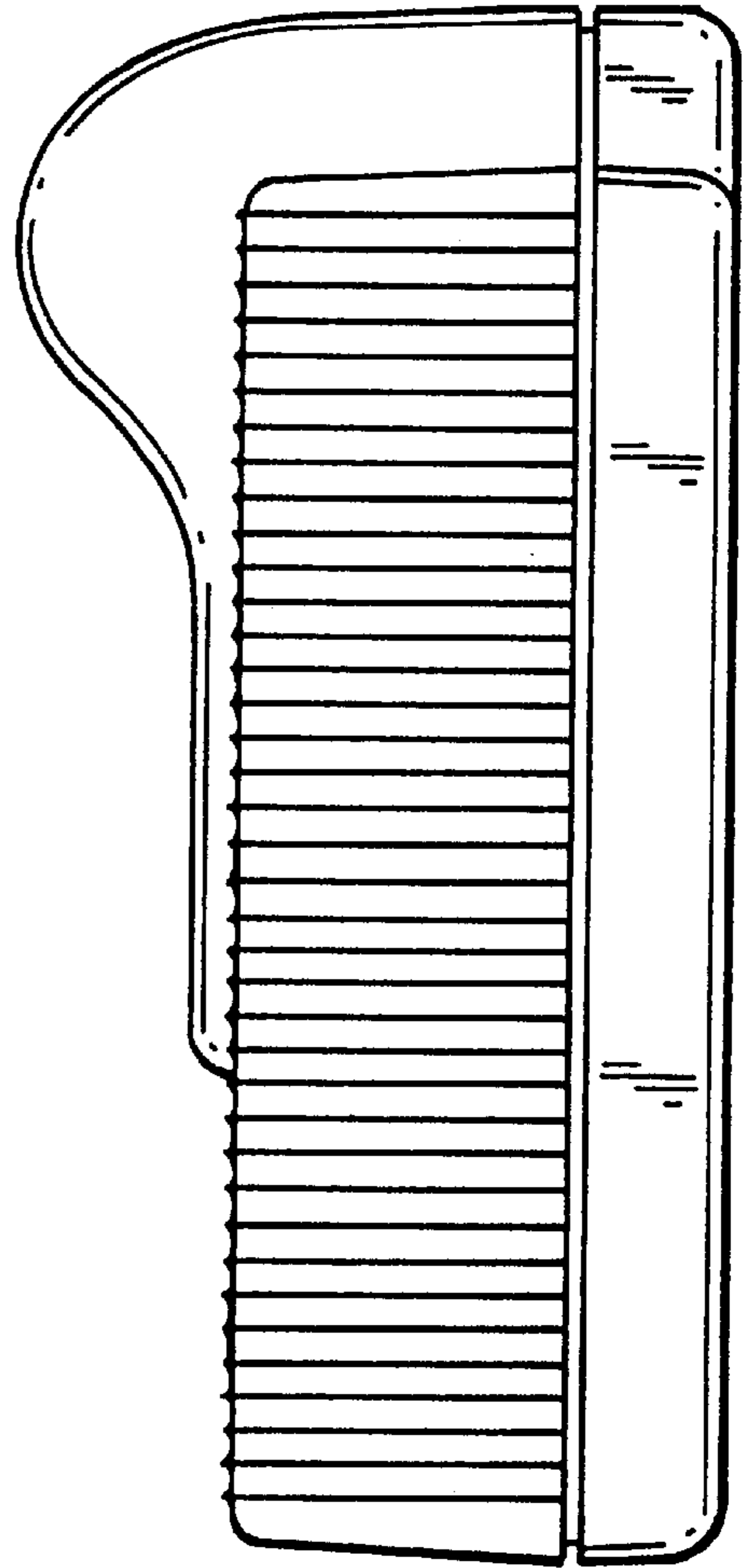


FIG. 6

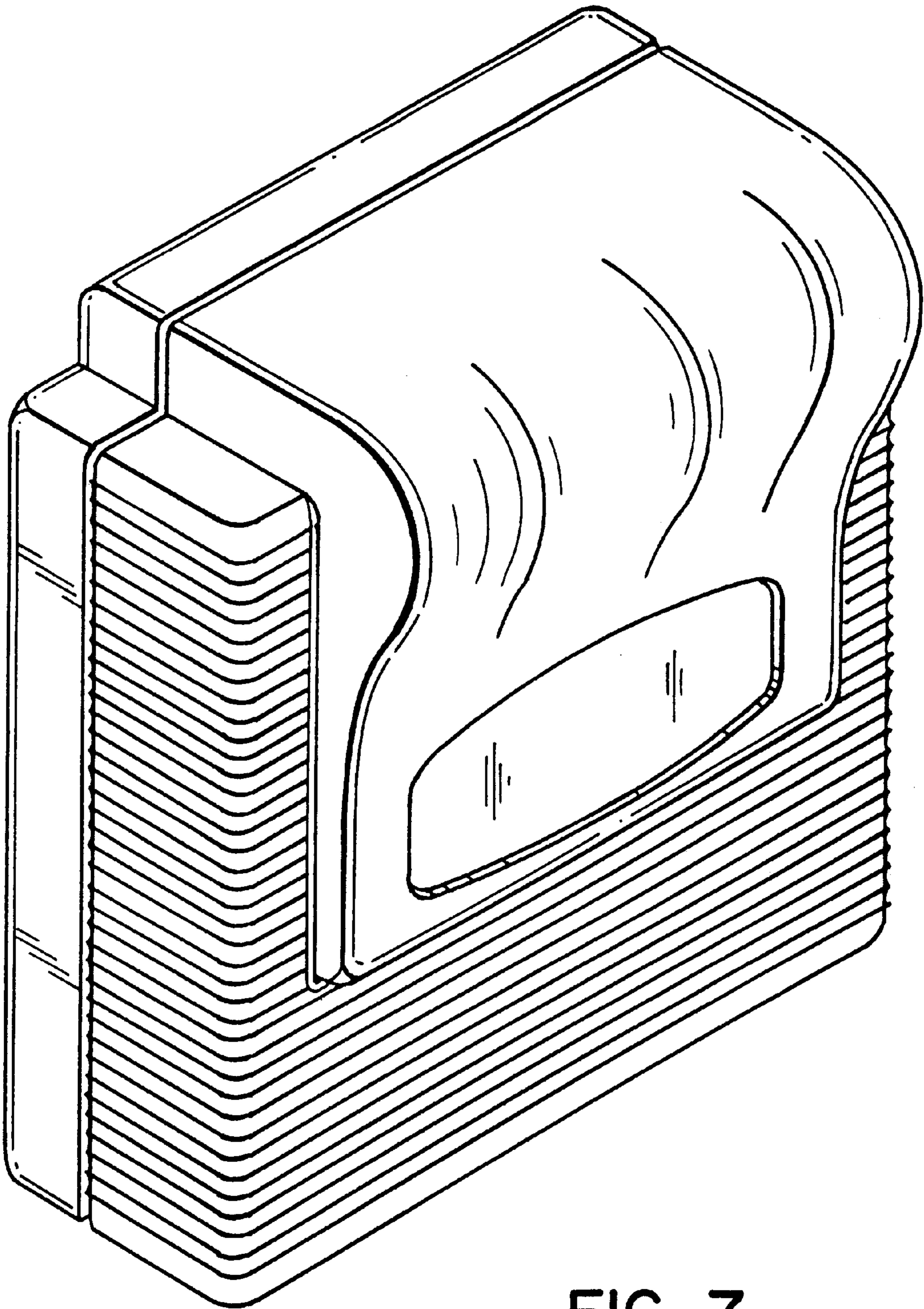


FIG. 7