



US00D414168S

United States Patent [19]

Parsons et al.

[11] **Patent Number: Des. 414,168**

[45] **Date of Patent: ** Sep. 21, 1999**

[54] **FRONT PANEL OF A DISK DRIVE**

[75] Inventors: **James H. Parsons**, Berthoud; **Edwin J. Wadsworth**, Longmont; **Christopher F. Banks**, Boulder; **Lane W. Lee**, Lafayette, all of Colo.

[73] Assignee: **Caleb Technology Corporation**, Boulder, Colo.

[**] Term: **14 Years**

[21] Appl. No.: **29/079,379**

[22] Filed: **Nov. 14, 1997**

[51] **LOC (6) Cl. 14-02**

[52] **U.S. Cl. D14/115**

[58] **Field of Search** D14/100, 102, D14/107-109; D13/162, 184, 199; D6/432, 436, 445, 448; 312/208.1; 360/99.02, 105, 106, 99.12; 361/690-696, 730, 732

[56] **References Cited**

U.S. PATENT DOCUMENTS

D. 266,426 10/1982 Dresselhaus D14/115

D. 286,050	10/1986	Roots et al.	D14/109
D. 290,257	6/1987	Manock et al.	D14/109
D. 322,965	1/1992	Silverstein et al.	D14/109
D. 350,340	9/1994	Inayama et al.	D14/109
D. 381,643	7/1997	Carlson .	
4,630,751	12/1986	Saito .	
4,686,594	8/1987	Kurafuji .	
5,396,385	3/1995	Tangi et al. .	

Primary Examiner—Freda Nunn
Attorney, Agent, or Firm—Emery L. Tracy

[57] **CLAIM**

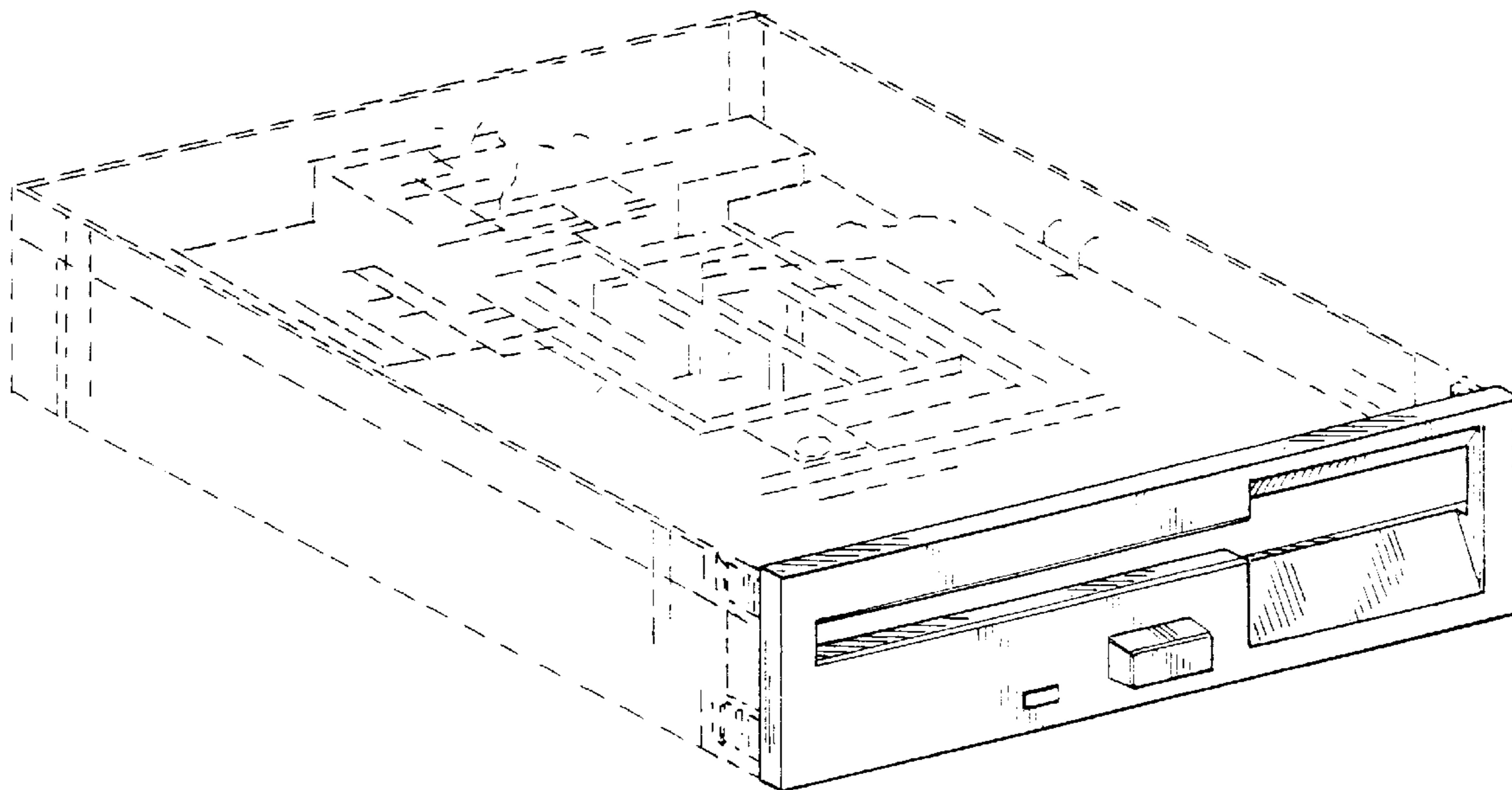
The ornamental design for a front panel of a disk drive, as shown and described.

DESCRIPTION

FIG. 1 is a top front and side perspective view of a front panel of a disk drive showing our new design; and, FIG. 2 is a top front and opposite side perspective view thereof.

The broken lines are shown in the views for illustrative purposes only and forms no part of the claimed design.

1 Claim, 1 Drawing Sheet



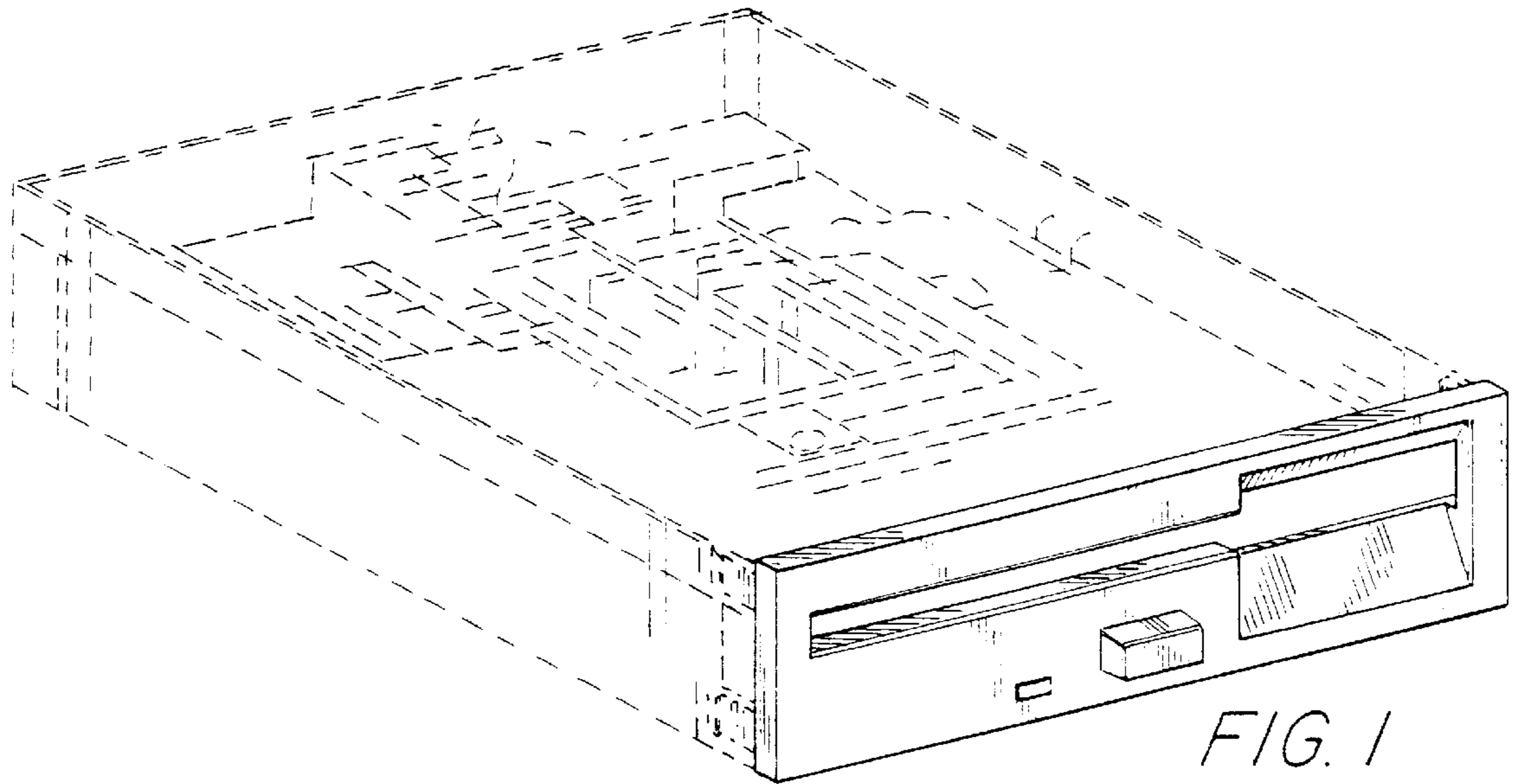


FIG. 1

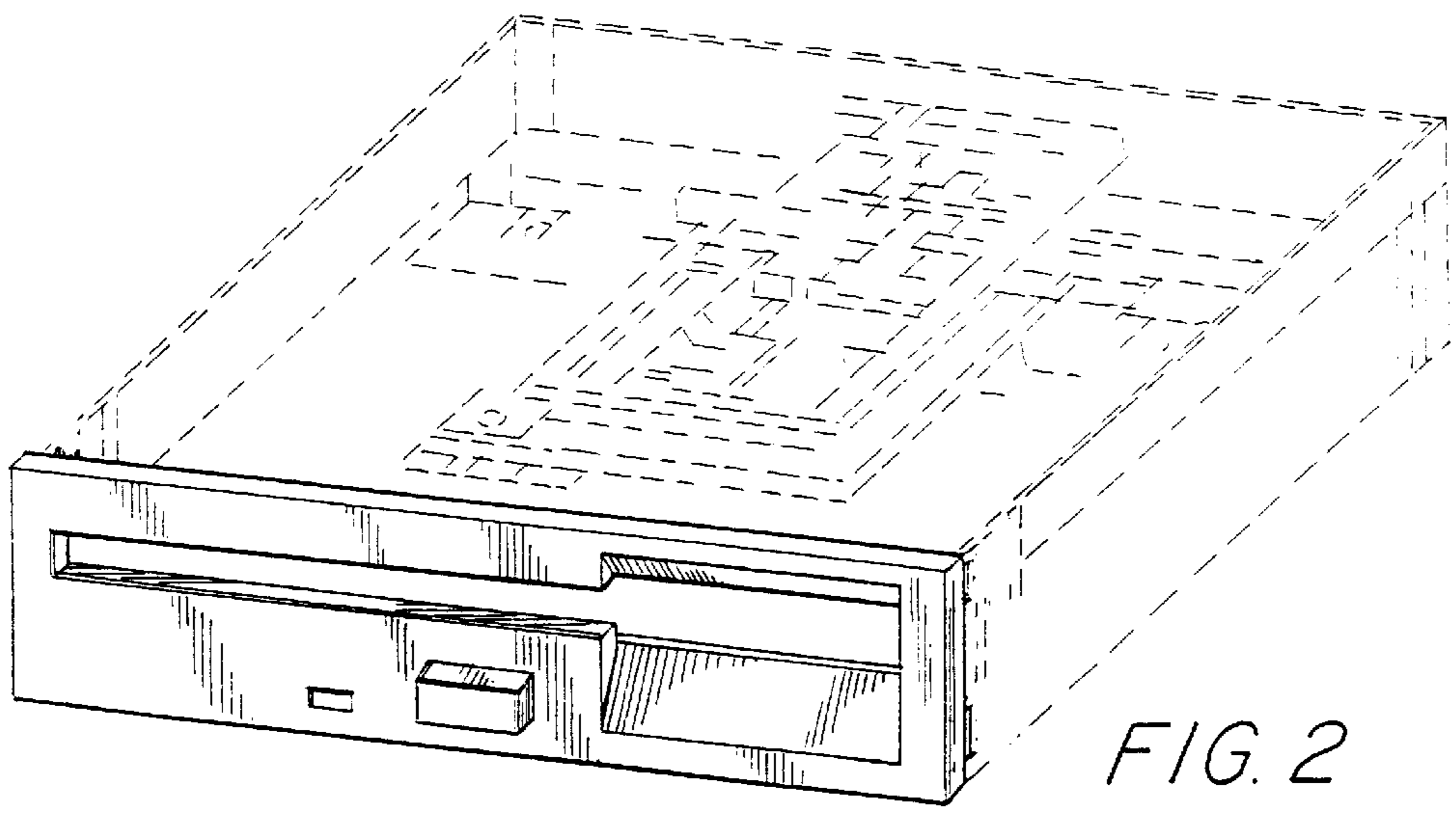


FIG. 2