



US00D414166S

United States Patent [19]
De Paris

[11] **Patent Number: Des. 414,166**

[45] **Date of Patent: ** Sep. 21, 1999**

[54] **COMBINED LAPTOP COMPUTER HOLDER AND INTEGRAL WRIST REST AND PENCIL CASE**

[76] Inventor: **Alexandre De Paris**, P.O. Box 25609, Washington, D.C. 20007

[**] Term: **14 Years**

[21] Appl. No.: **29/084,779**

[22] Filed: **Mar. 10, 1998**

[51] **LOC (6) Cl.** **14-02**

[52] **U.S. Cl.** **D14/114**

[58] **Field of Search** D14/114, 100; D18/12; 248/118, 118.1, 118.3, 118.5, 346.01, 917-24; 400/689-93, 715; D6/601, 406, 420, 509, 511, 436, 430; D19/86, 92, 95

[56] **References Cited**

U.S. PATENT DOCUMENTS

- D. 288,097 2/1987 Harter et al. D14/114
- D. 330,892 11/1992 Hassel et al. D14/114
- D. 331,045 11/1992 Moerke D14/114
- D. 336,898 6/1993 Cherbubini et al. .
- D. 338,195 8/1993 Sugerman .
- D. 342,243 12/1993 Land .
- D. 347,422 5/1994 Taslitz .
- D. 355,647 2/1995 Gresko .

- D. 357,910 5/1995 Newhouse .
- D. 370,474 6/1996 Kirchhoff et al. .
- D. 372,903 8/1996 Juster .
- D. 381,641 7/1997 Katz D14/114
- D. 383,740 9/1997 Kirchhoff et al. .
- D. 392,958 3/1998 Gaete D14/114

Primary Examiner—M. H. Tung
Attorney, Agent, or Firm—Dickstein Shapiro Morin & Oshinsky LLP

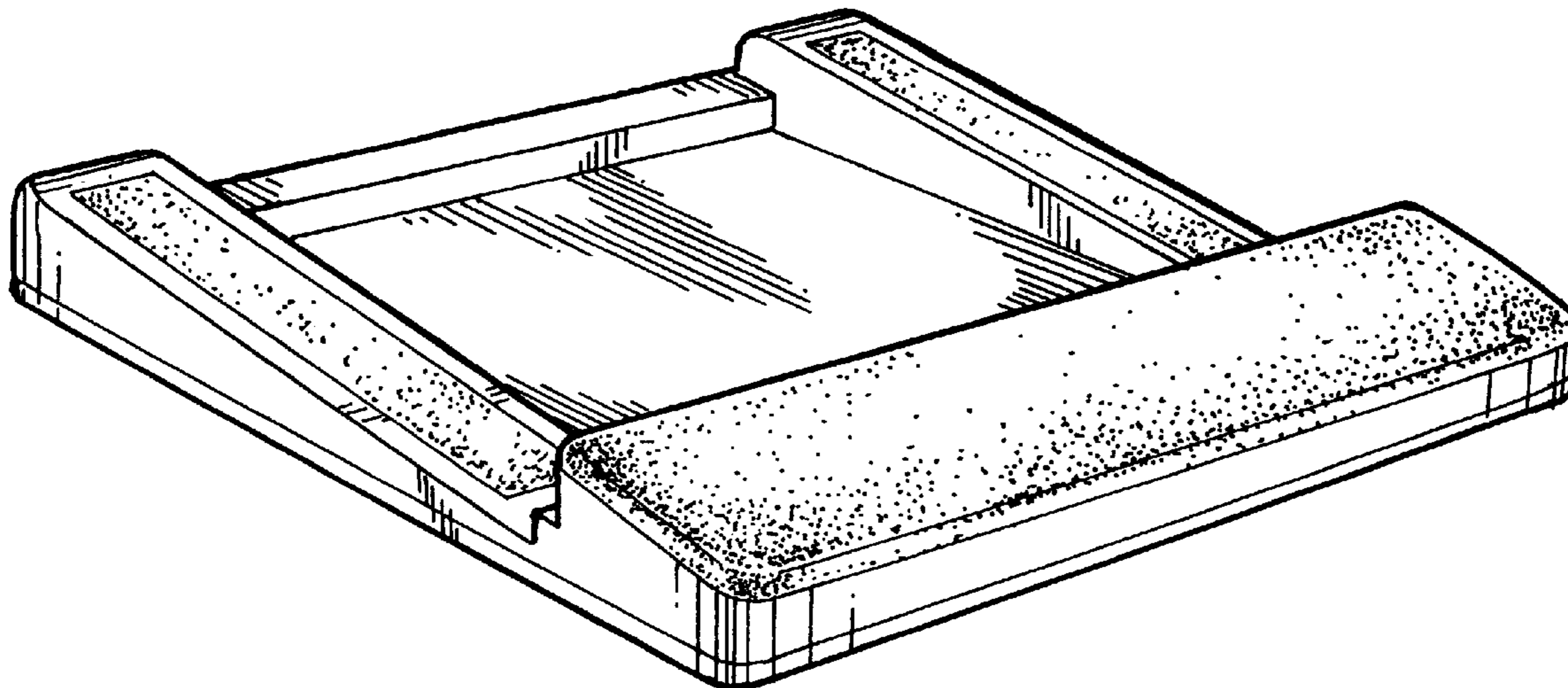
[57] **CLAIM**

The ornamental design for a combined laptop computer holder and integral wrist rest and pencil case, as shown and described.

DESCRIPTION

FIG. 1 is a left rear perspective view of the claimed invention;
FIG. 2 is a left front perspective view of the claimed invention;
FIG. 3 is a top view of the claimed invention;
FIG. 4 is a left side view of the claimed invention;
FIG. 5 is a front view of the claimed invention;
FIG. 6 is a back view of the claimed invention; and,
FIG. 7 is a bottom view of the claimed invention.
A right side view of the invention, not shown, is a mirror image of the left side view of FIG. 4.

1 Claim, 3 Drawing Sheets



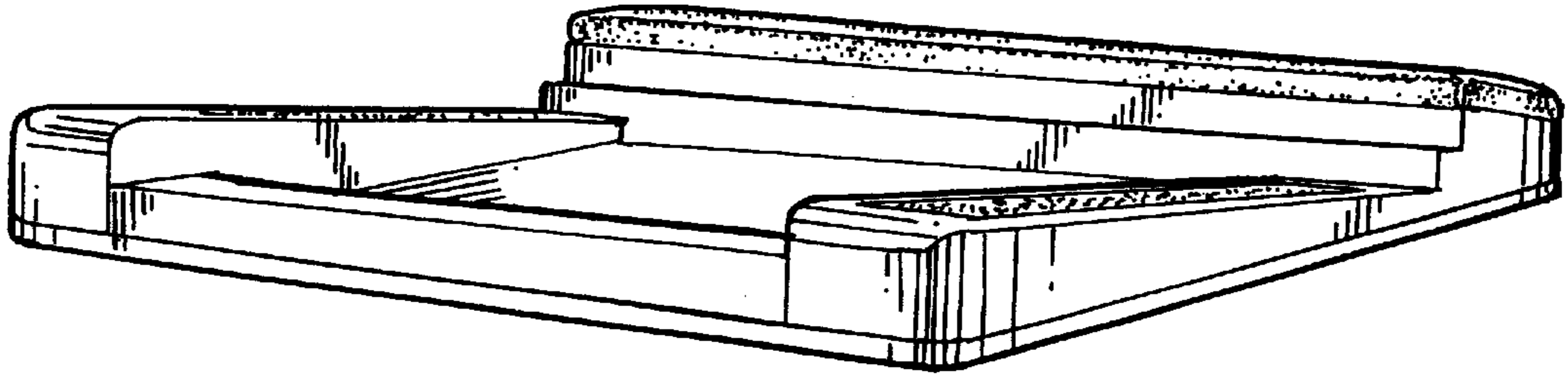


FIG. 1

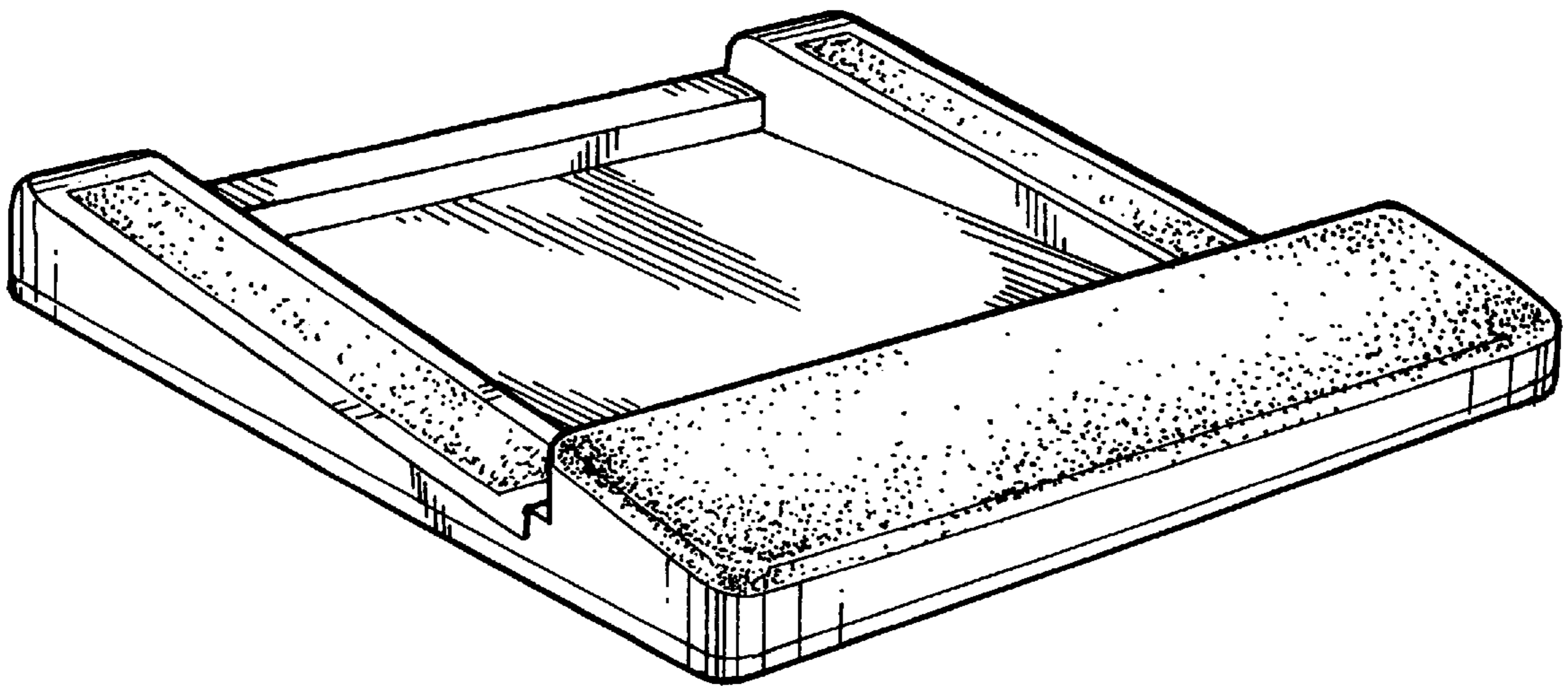


FIG. 2

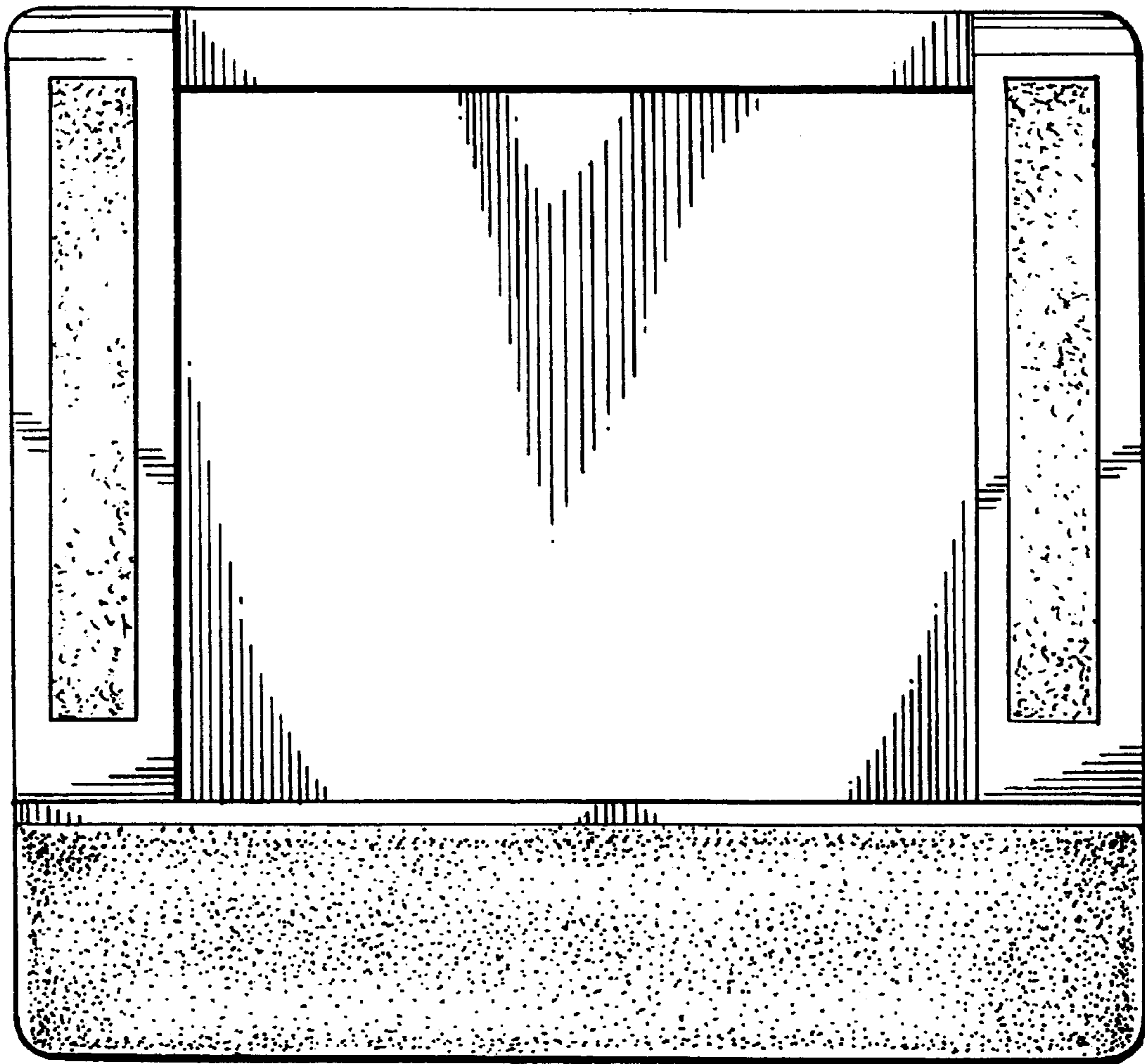


FIG. 3

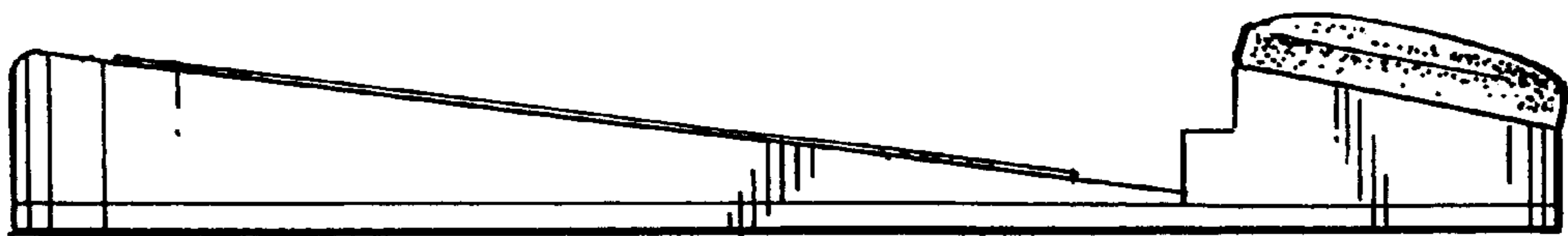


FIG. 4



FIG. 5

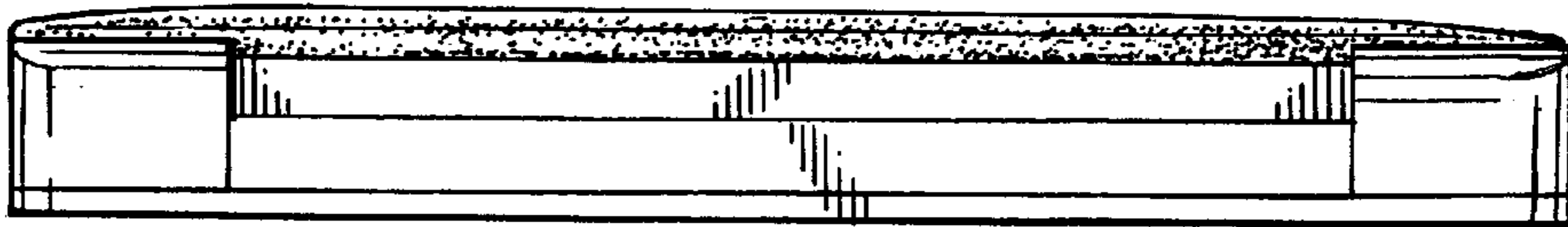


FIG. 6

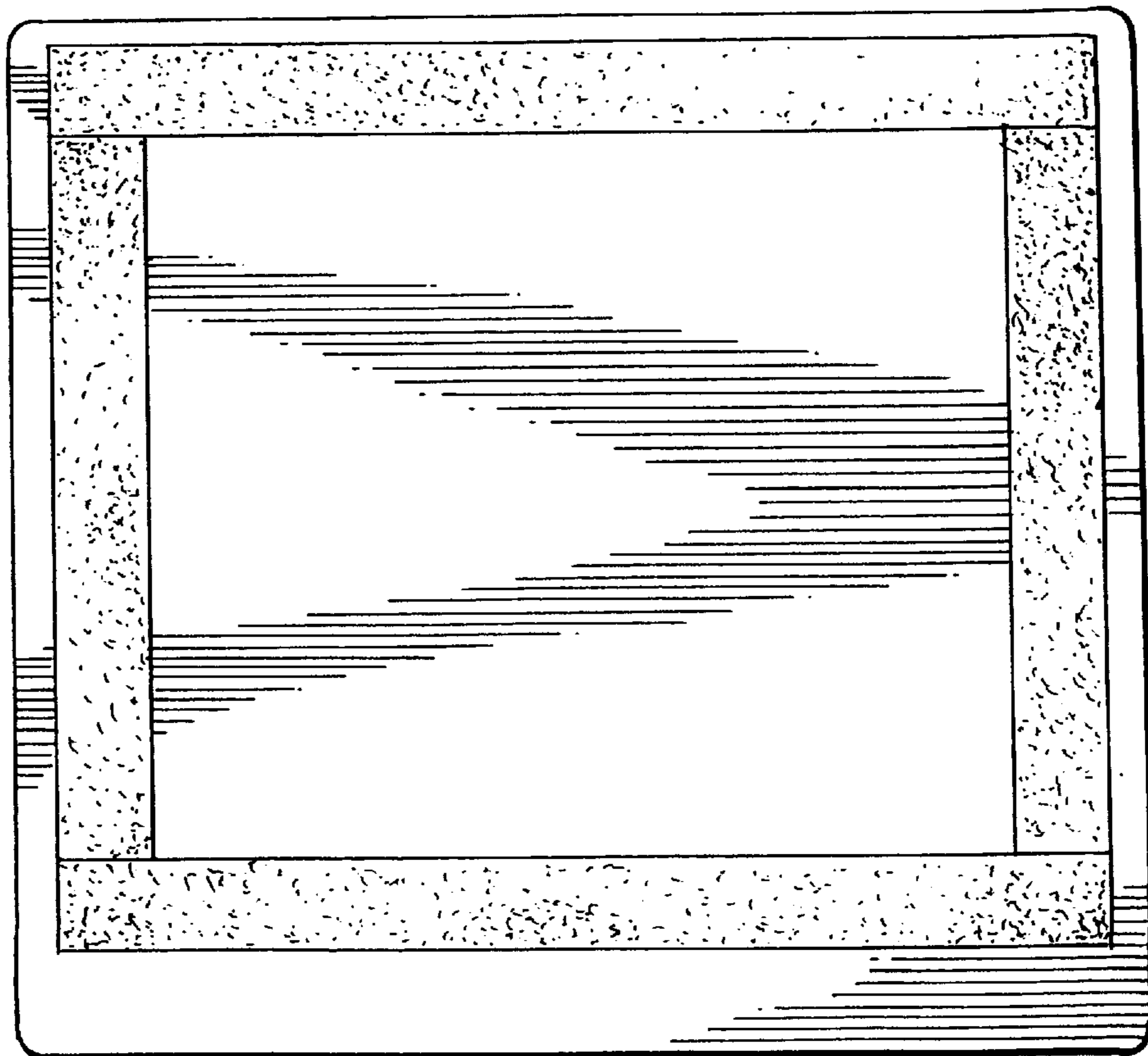


FIG. 7