



US00D414164S

# United States Patent [19]

Rorke et al.

[11] Patent Number: Des. 414,164

[45] Date of Patent: \*\* Sep. 21, 1999

[54] FLAT PANEL MONITOR

[75] Inventors: **Anthony B. Rorke; Douglas E. Goodner; Robert J. Kelley**, all of The Woodlands, Tex.

[73] Assignee: **Compaq Computer Corporation**, Houston, Tex.

[\*\*] Term: **14 Years**

[21] Appl. No.: **29/088,151**

[22] Filed: **May 15, 1998**

[51] LOC (6) Cl. .... **14-02**

[52] U.S. Cl. .... **D14/113; D14/126**

[58] Field of Search ..... D14/100, 101, D14/106, 113, 124-129; 341/12; 345/104, 133, 156, 168, 87, 173; 348/180, 184, 325, 739; 248/918-924

### [56] References Cited

#### U.S. PATENT DOCUMENTS

D. 339,797 9/1993 Glustoker et al. .... D14/113

D. 349,489 8/1994 Wang ..... D14/113  
D. 358,372 5/1995 Goodrich et al. .... D14/100  
D. 361,550 8/1995 Mundt et al. .... D14/100  
D. 387,040 12/1997 Iino ..... D14/113  
D. 394,248 5/1998 Duan ..... D14/113

*Primary Examiner*—Freda Nunn  
*Attorney, Agent, or Firm*—Akin, Gump, Strauss, Hauer & Feld, L.L.P.

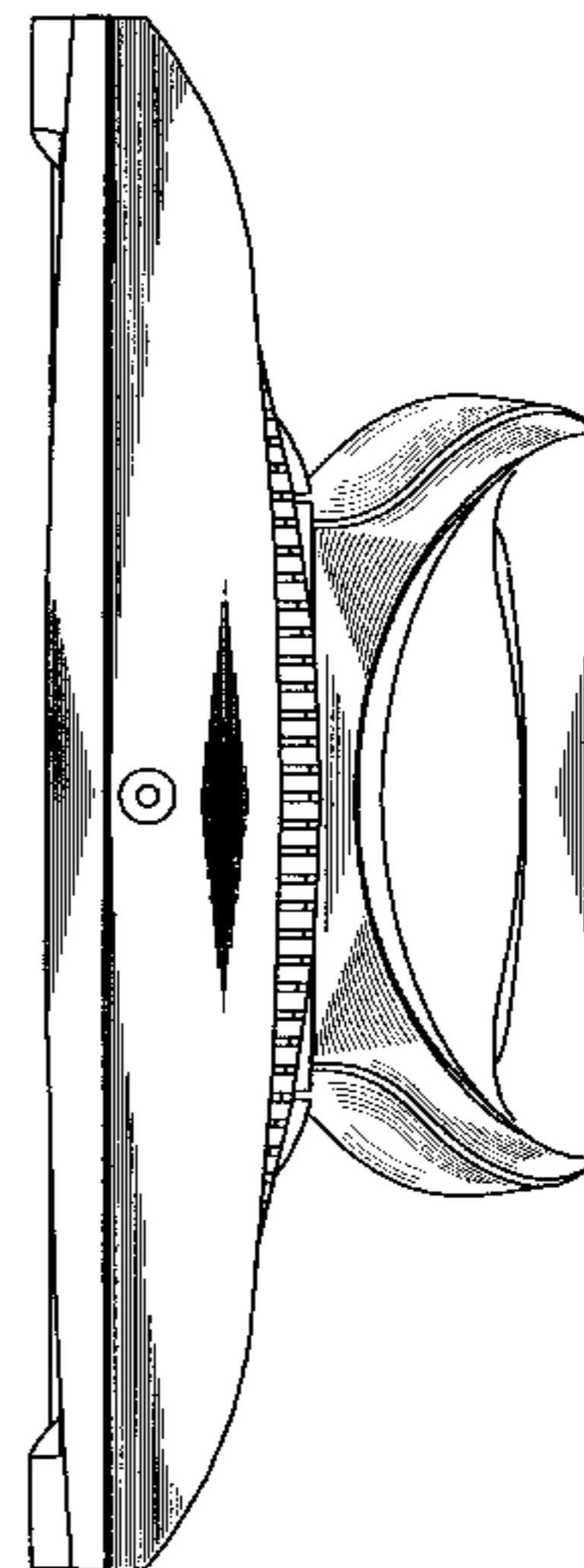
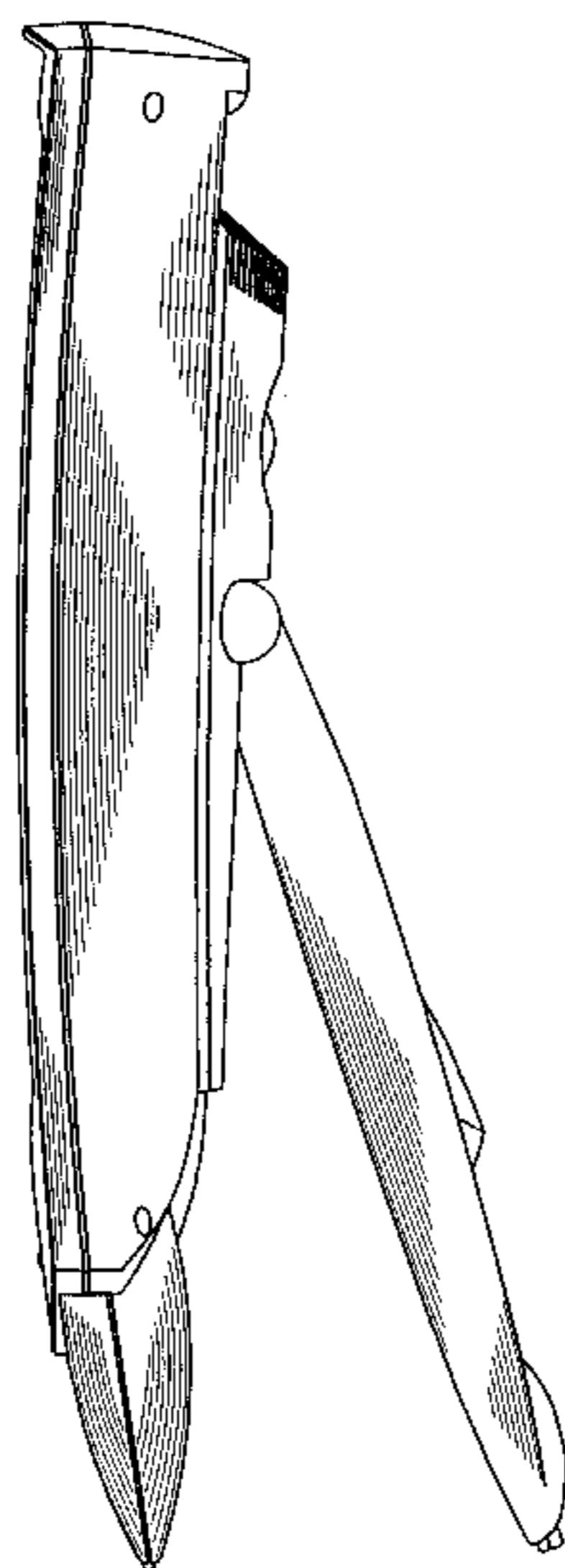
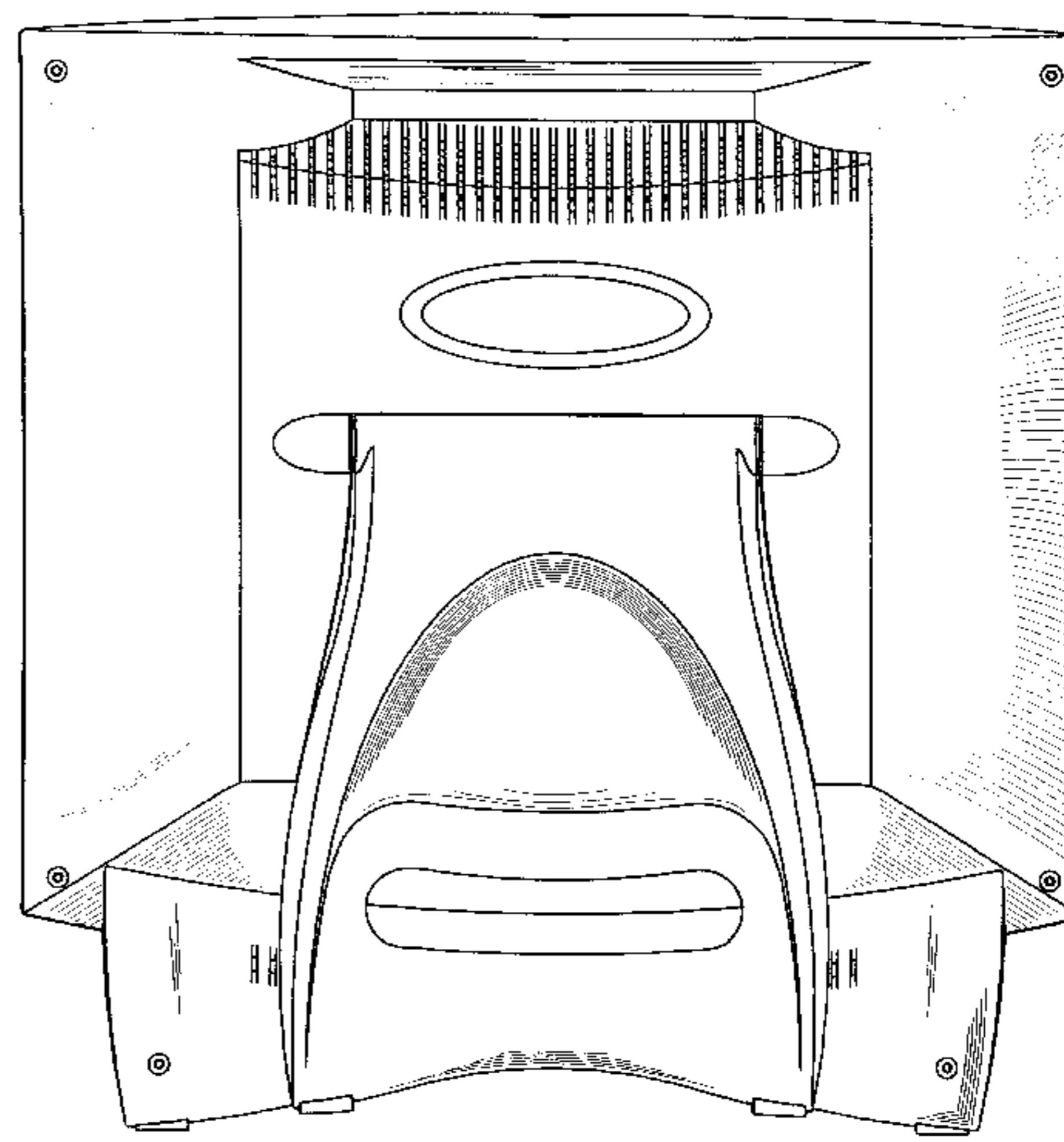
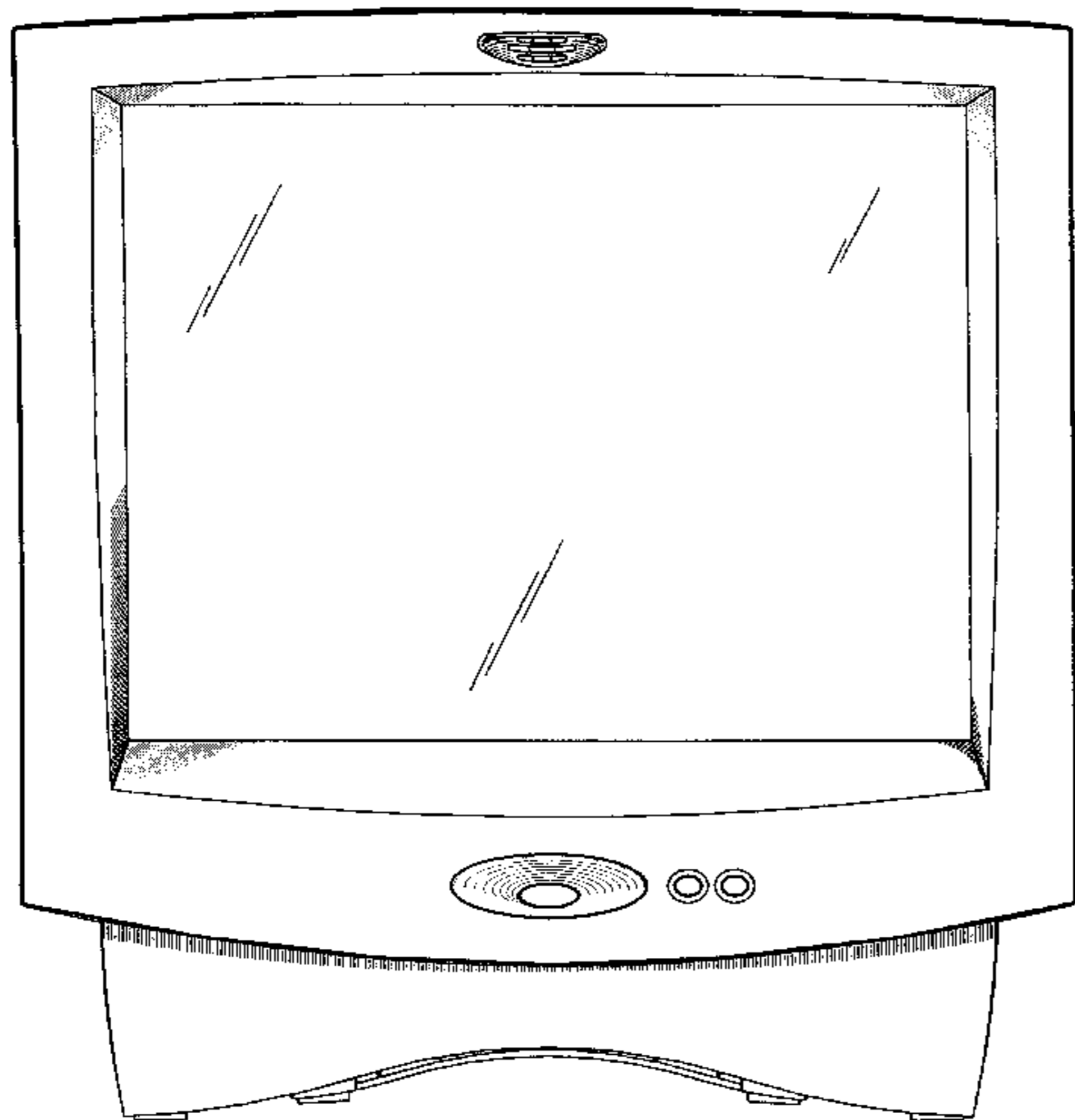
### [57] CLAIM

The ornamental design for a flat panel monitor, as shown.

### DESCRIPTION

FIG. 1 is a front elevational view of a flat panel monitor showing my new design;  
FIG. 2 is a right-side elevational view thereof;  
FIG. 3 is a left-side elevational view thereof;  
FIG. 4 is a rear elevational view thereof;  
FIG. 5 is a top plan view thereof; and,  
FIG. 6 is a bottom plan view thereof.

**1 Claim, 6 Drawing Sheets**



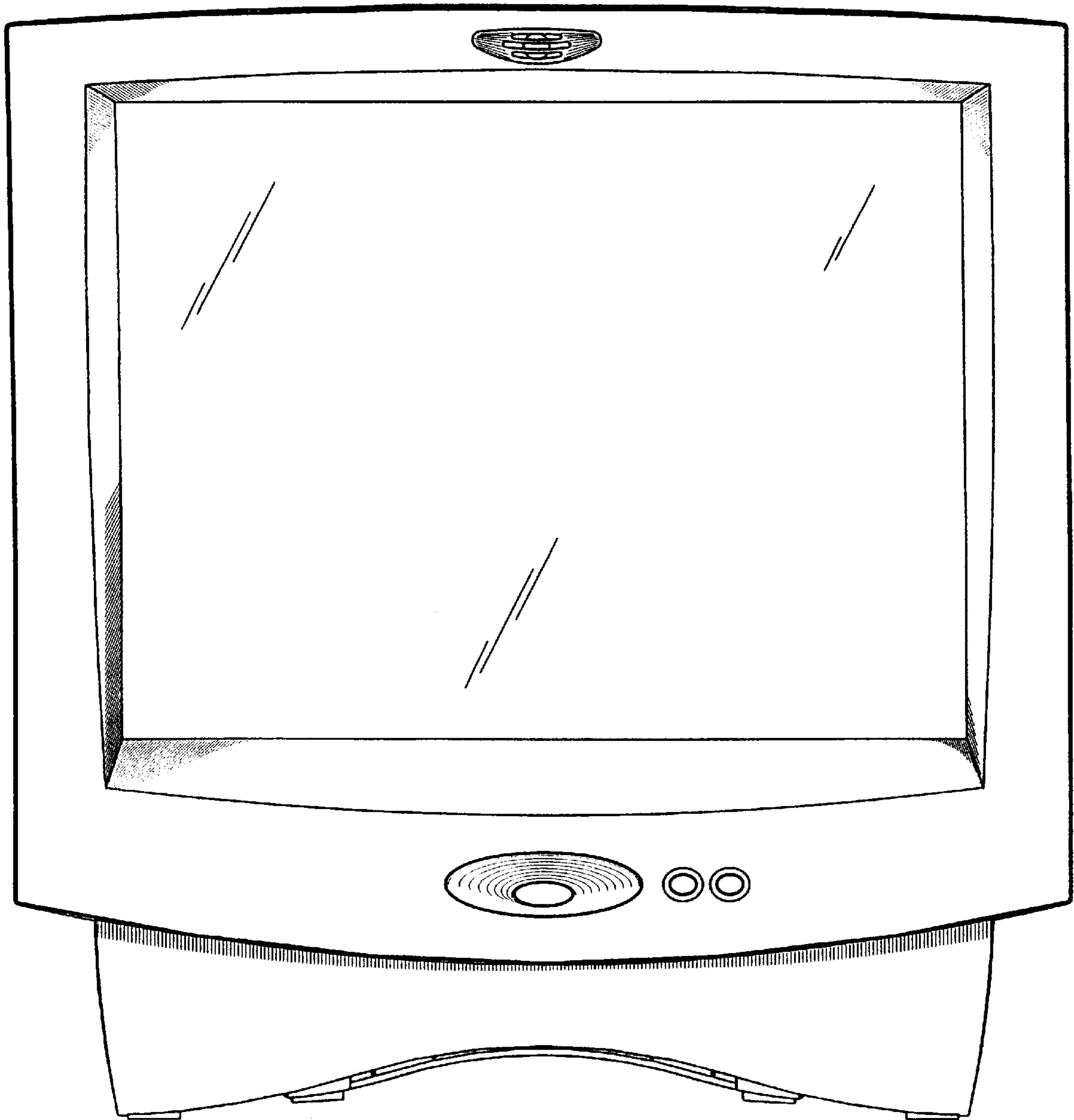


FIG. 1

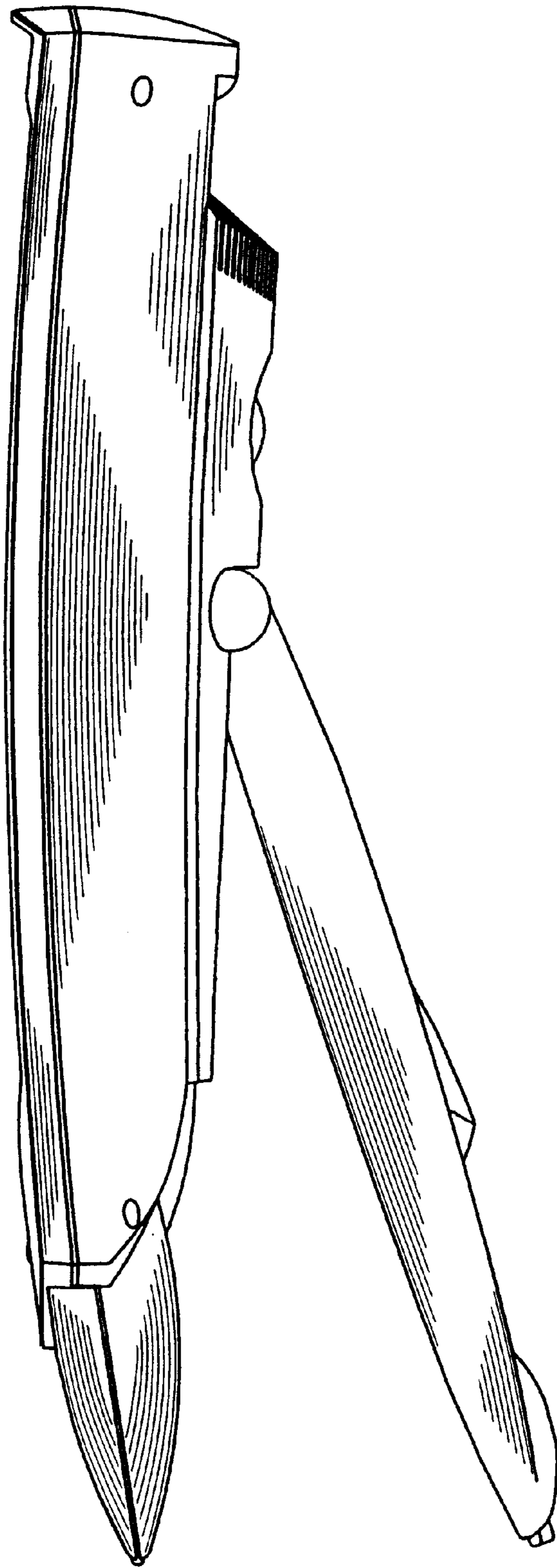


FIG. 2

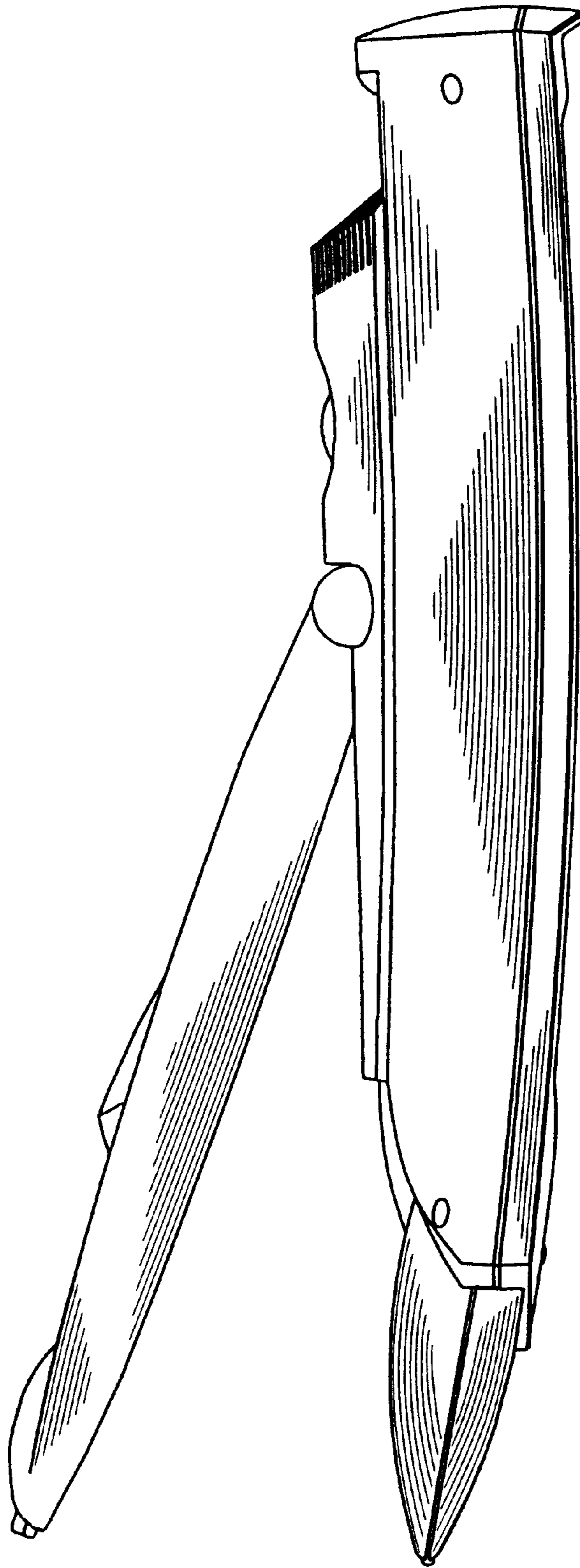


FIG. 3

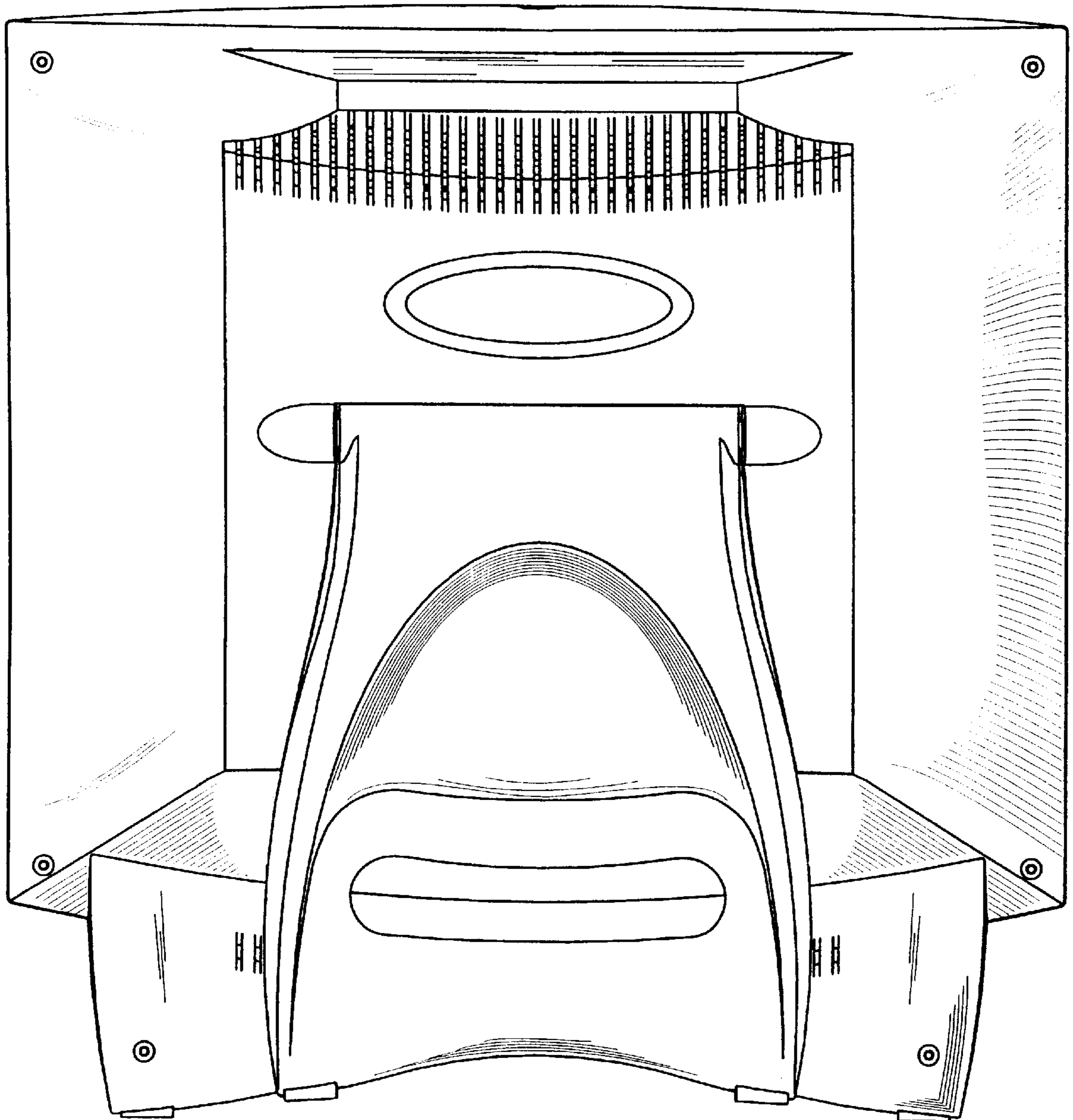


FIG. 4

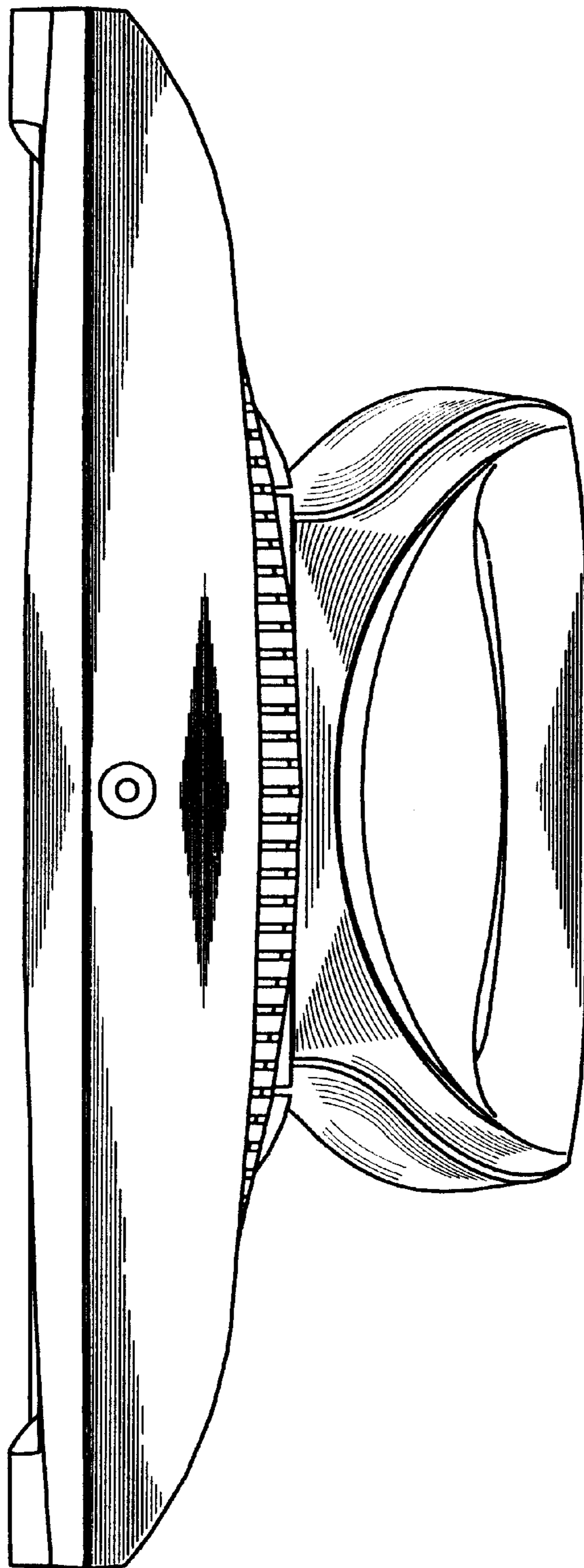


FIG. 5

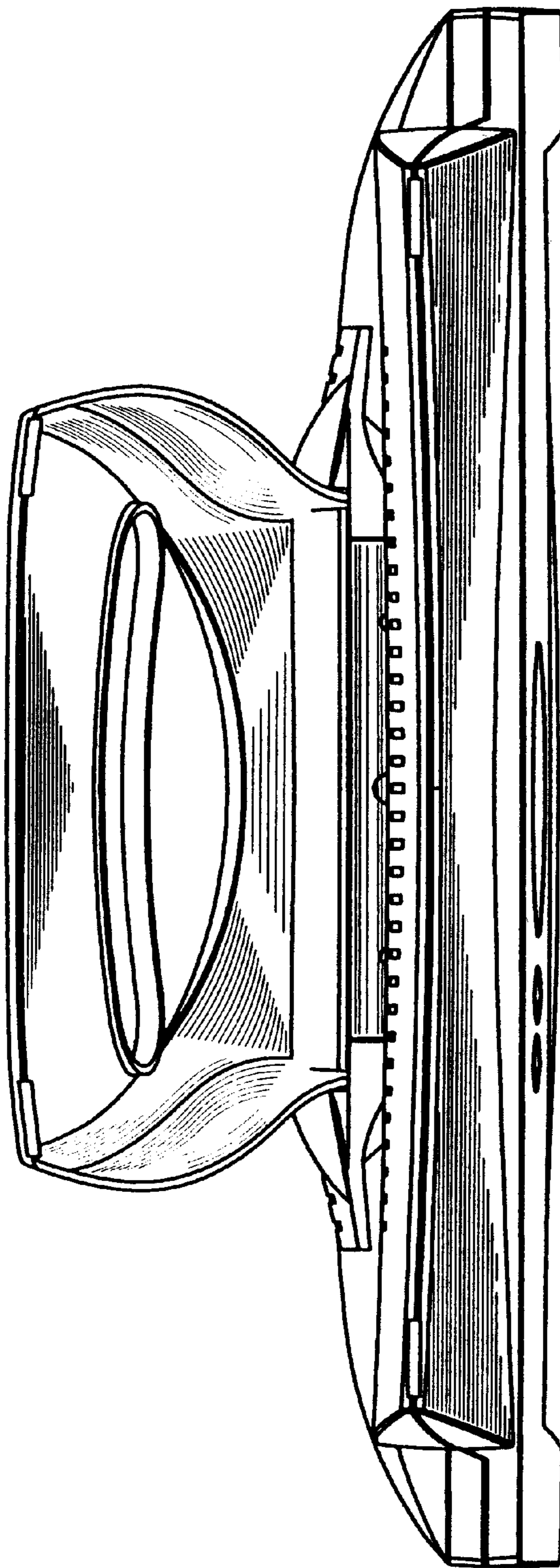


FIG. 6