



US00D414163S

**United States Patent** [19]  
**Hesselbach**

[11] **Patent Number: Des. 414,163**

[45] **Date of Patent: \*\* Sep. 21, 1999**

[54] **DESKTOP CARD TERMINAL**

[75] Inventor: **Udo Hesselbach**, Bueren, Germany

[73] Assignee: **Siemens Nixdorf Informationssysteme AG**, Paderborn, Germany

[\*\*] Term: **14 Years**

[21] Appl. No.: **29/094,865**

[22] Filed: **Oct. 13, 1998**

[30] **Foreign Application Priority Data**

Apr. 17, 1998 [DK] Denmark ..... DM/043726

[51] **LOC (6) Cl.** ..... **14-02**

[52] **U.S. Cl.** ..... **D14/105**

[58] **Field of Search** ..... D14/100, 105,  
D14/107-109; D13/162, 184, 199; D18/36,  
37, 39; 235/454, 470, 380, 382, 382.5,  
476, 482; 250/556; 355/64, 65, 75, 81

[56] **References Cited**

**U.S. PATENT DOCUMENTS**

D. 260,885 9/1981 Jones ..... D14/106

D. 364,386 11/1995 Bramlett et al. .... D14/105  
D. 377,167 1/1997 High, Sr. et al. .... D14/105

*Primary Examiner*—Freda Nunn  
*Attorney, Agent, or Firm*—Hill & Simpson

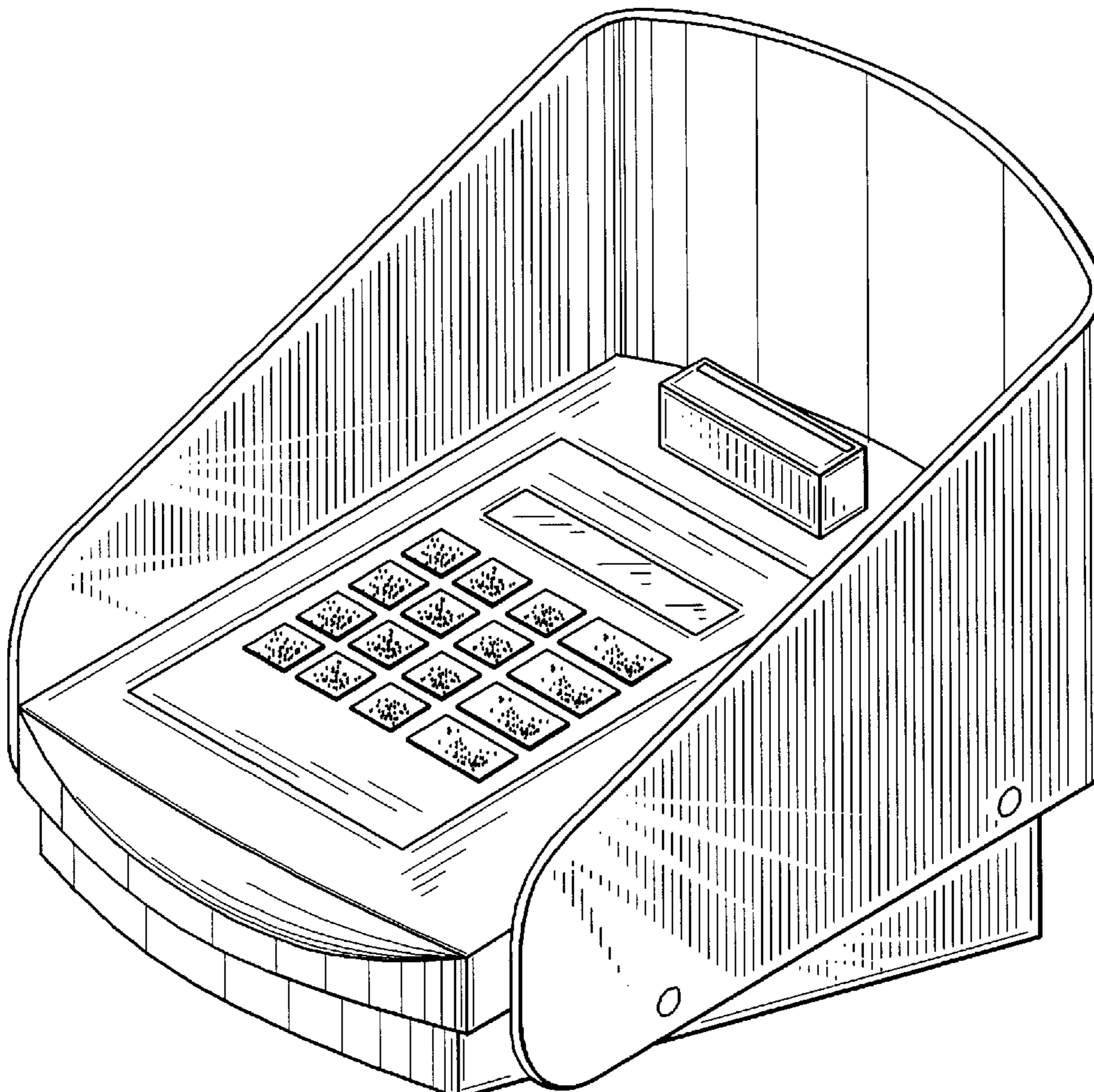
[57] **CLAIM**

The ornamental design for a desktop card terminal, as shown and described.

**DESCRIPTION**

FIG. 1 is a perspective view taken from the front right side of a desktop card terminal in accordance with the present invention;  
FIG. 2 is a front elevational view of the desktop card terminal;  
FIG. 3 is a side elevational view of the right side of the desktop card terminal with the opposite side being a mirror image;  
FIG. 4 is a top plan view of the desktop card terminal;  
FIG. 5 is a bottom plan view of the desktop card terminal; and,  
FIG. 6 is a back elevational view of the desktop card terminal.

**1 Claim, 3 Drawing Sheets**



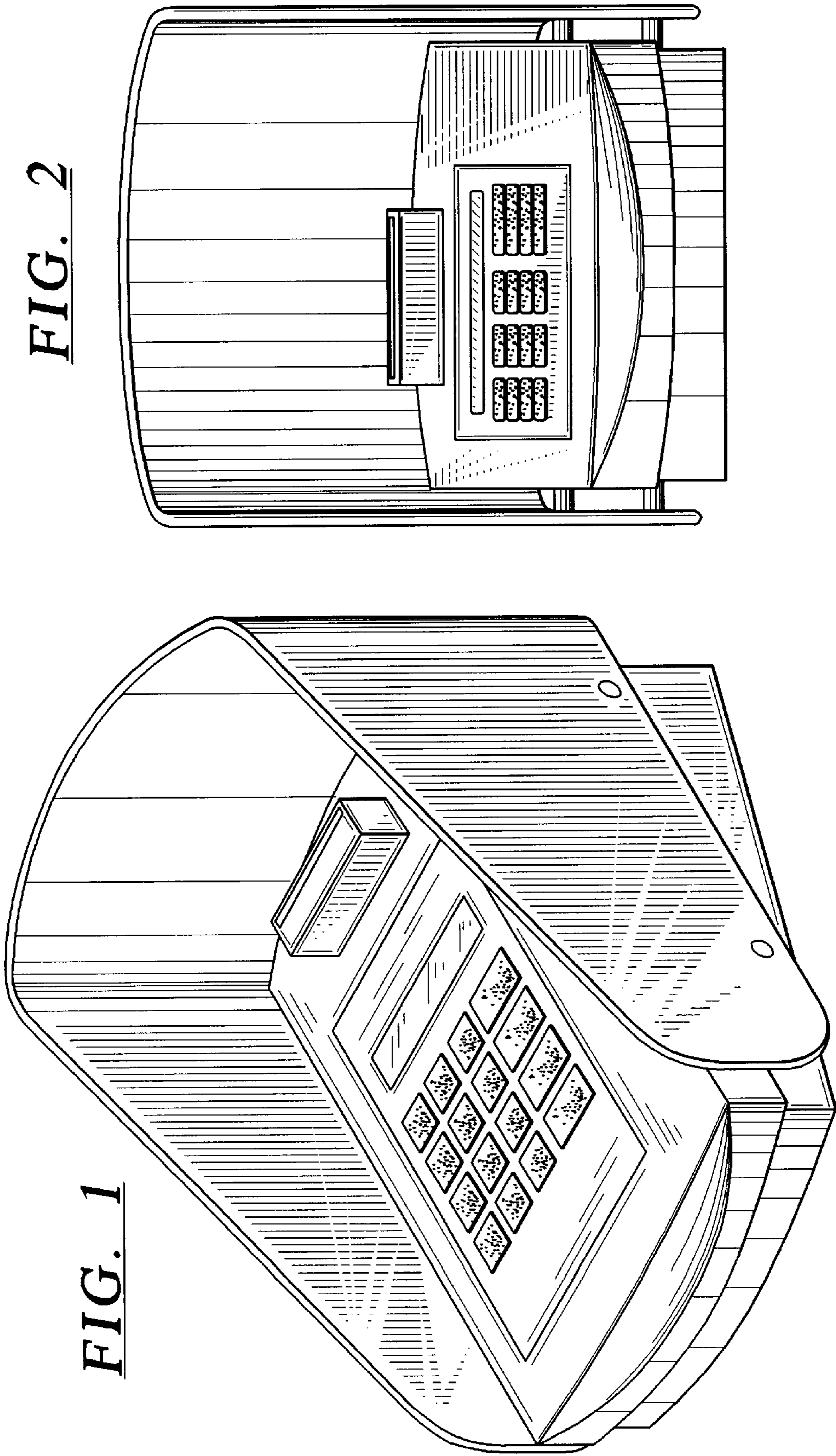


FIG. 2

FIG. 1



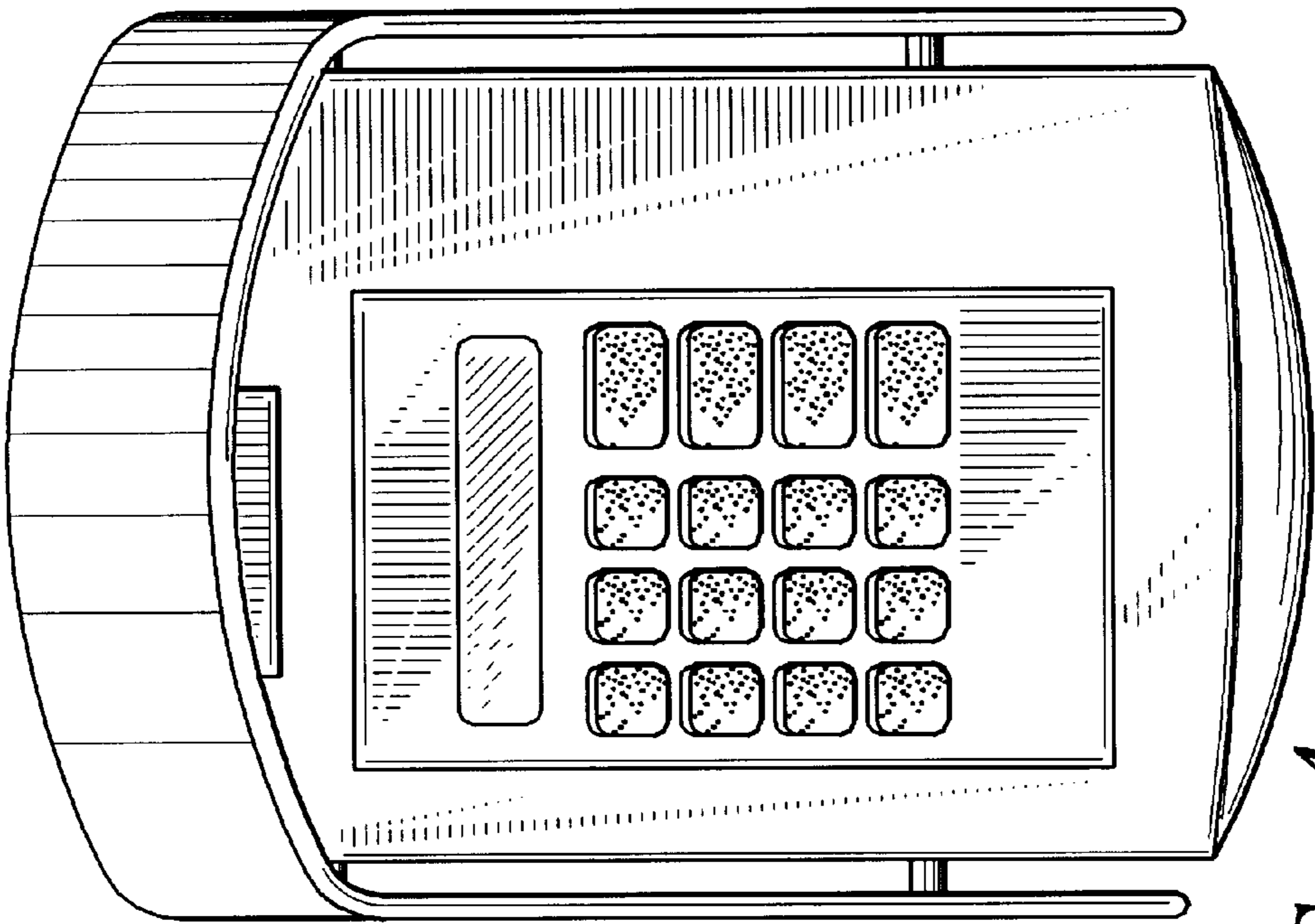


FIG. 4

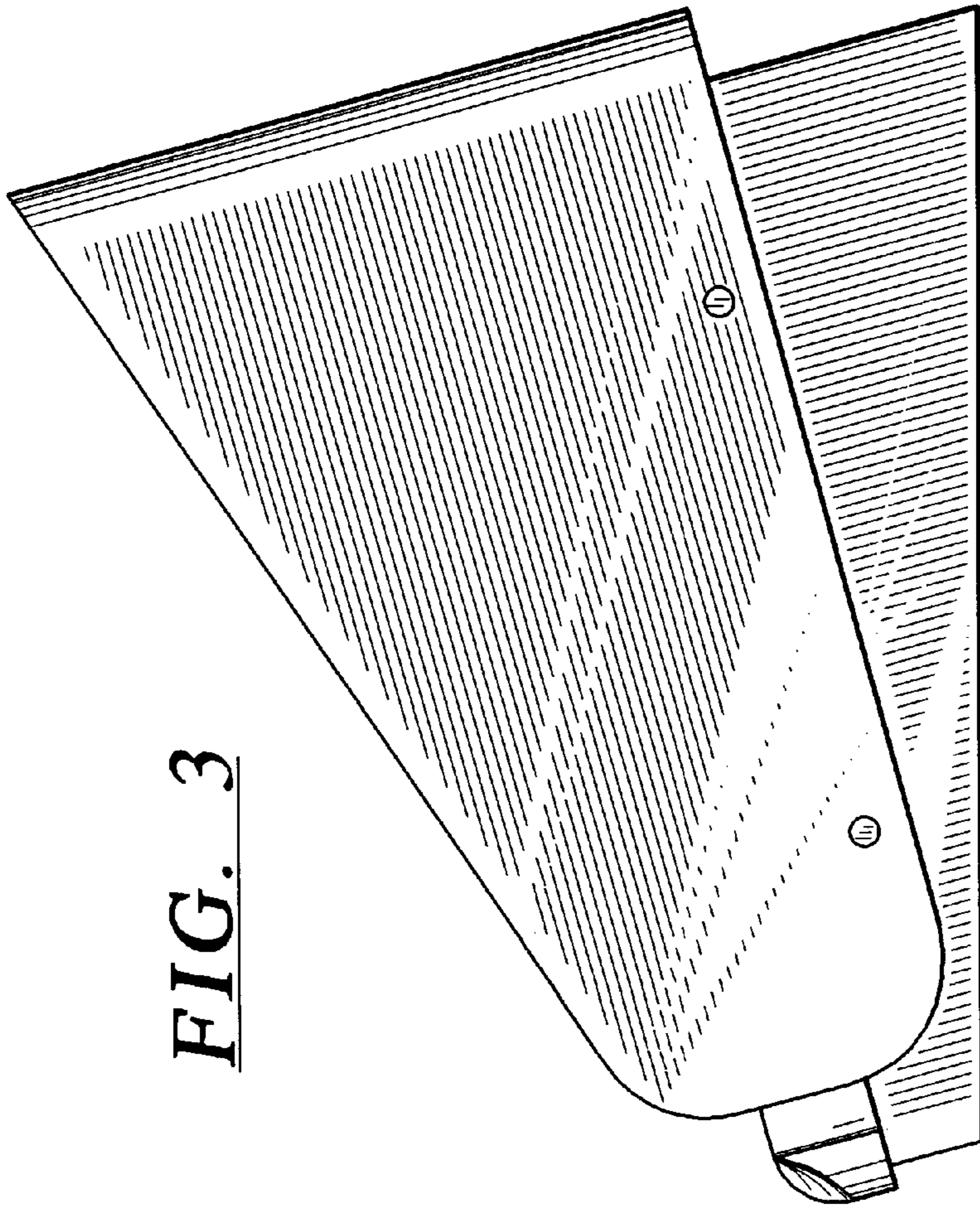


FIG. 3

FIG. 6

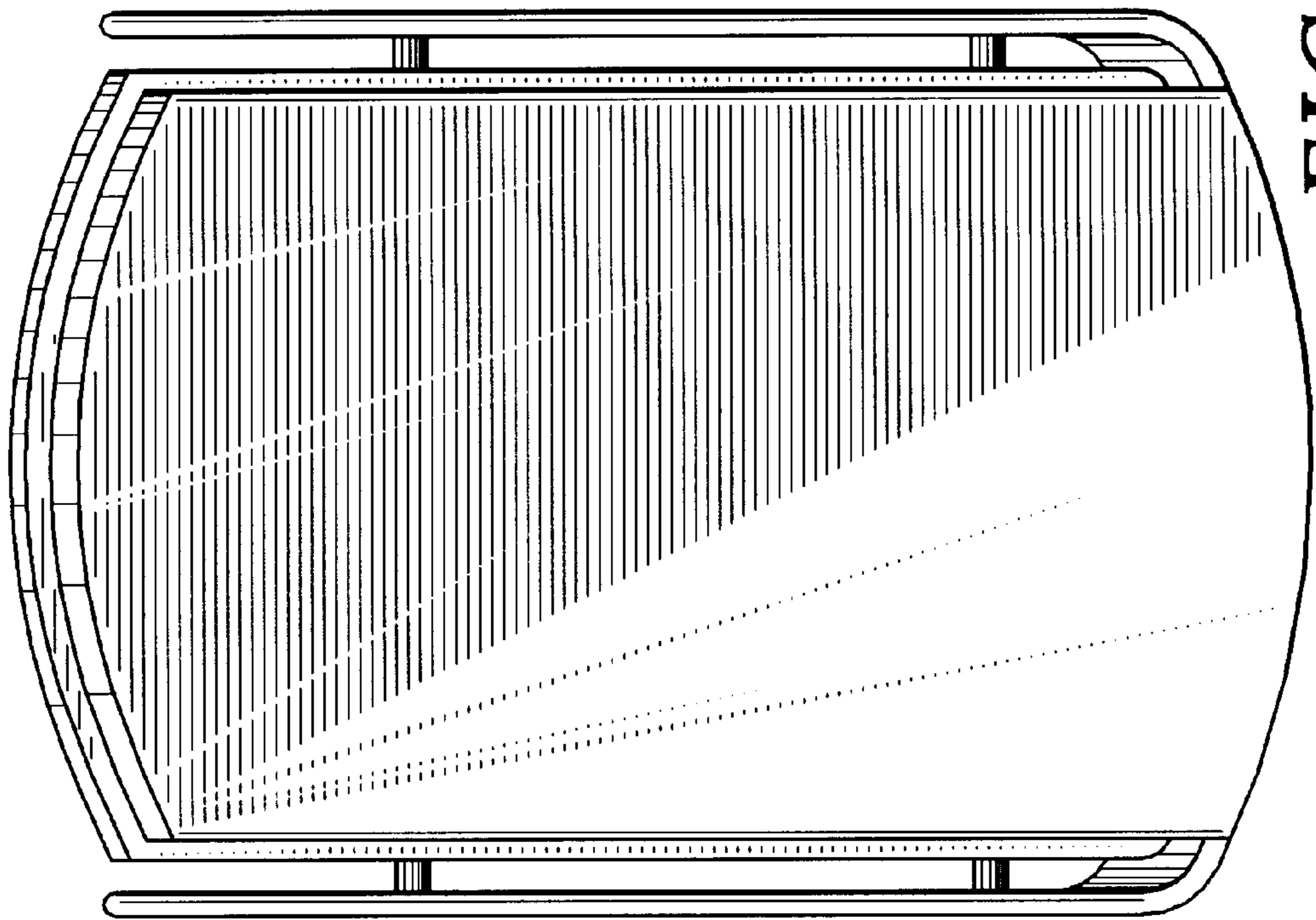
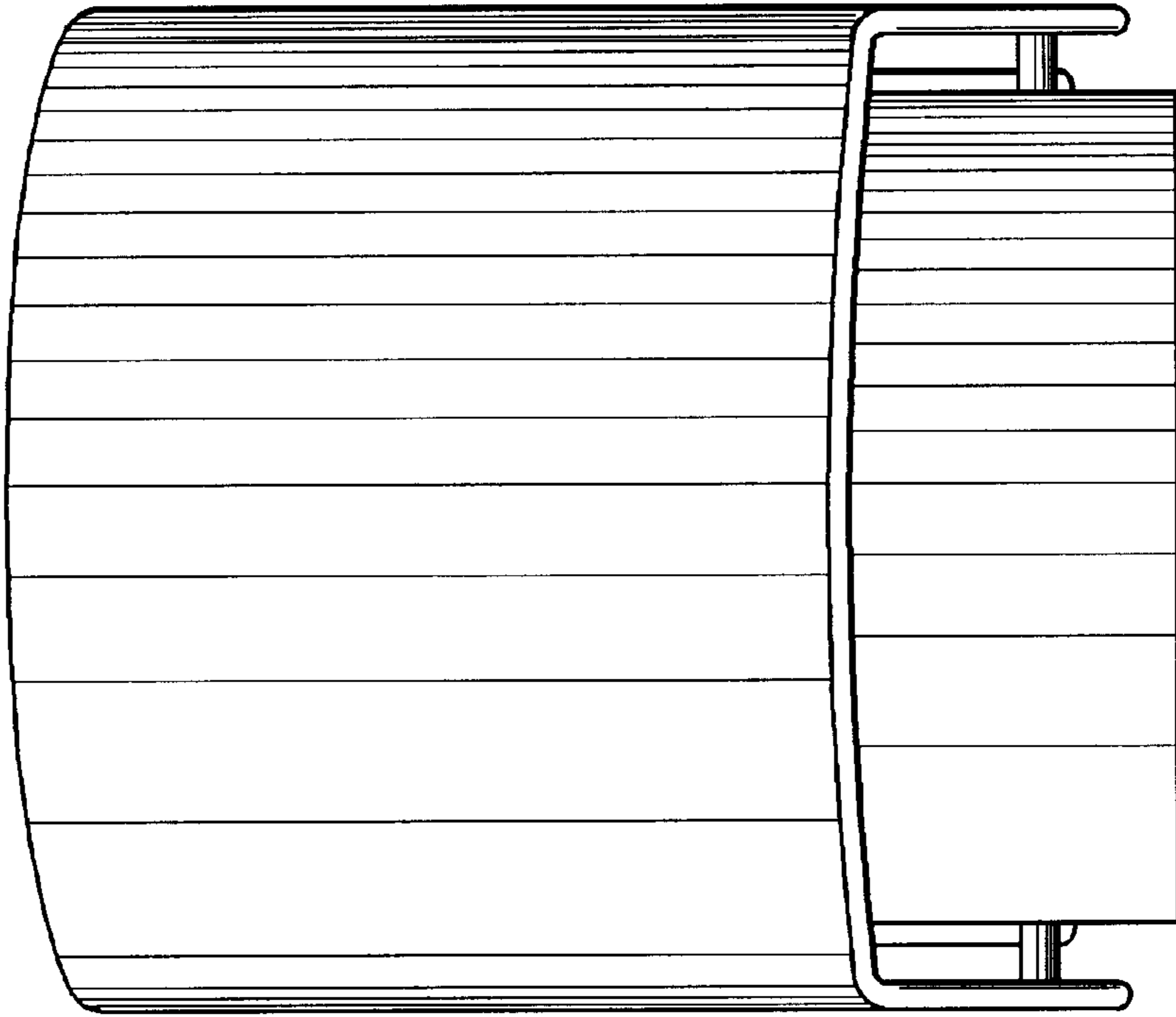


FIG. 5