



US00D414161S

United States Patent [19] Huang

[11] **Patent Number: Des. 414,161**

[45] **Date of Patent: ** Sep. 21, 1999**

[54] **STACKED ELECTRICAL CONNECTOR ASSEMBLY**

5,267,876 12/1993 Rupert et al. 439/541.5
5,336,109 8/1994 Hillbish et al. 439/541.5
5,733,143 3/1998 Ward et al. 439/541.5

[75] Inventor: **Wayne Huang**, Alhambra, Calif.

Primary Examiner—Joel Sincavage

[73] Assignee: **Hon Hai Precision Ind. Co., Ltd.**,
Taipei Hsien, Taiwan

[57] **CLAIM**

[**] Term: **14 Years**

The ornamental design for a stacked electrical connector assembly, as shown.

[21] Appl. No.: **29/088,569**

DESCRIPTION

[22] Filed: **May 27, 1998**

FIG. 1 is a front-right-top perspective view of a stacked electrical connector assembly showing my new design; FIG. 2 is a front elevational view thereof; FIG. 3 is a rear elevational view thereof; FIG. 4 is a left side elevational view thereof; FIG. 5 is a right side elevational view thereof; FIG. 6 is a top plan view thereof; and, FIG. 7 is a bottom plan view thereof.

[51] **LOC (6) Cl.** **13-03**

[52] **U.S. Cl.** **D13/147**

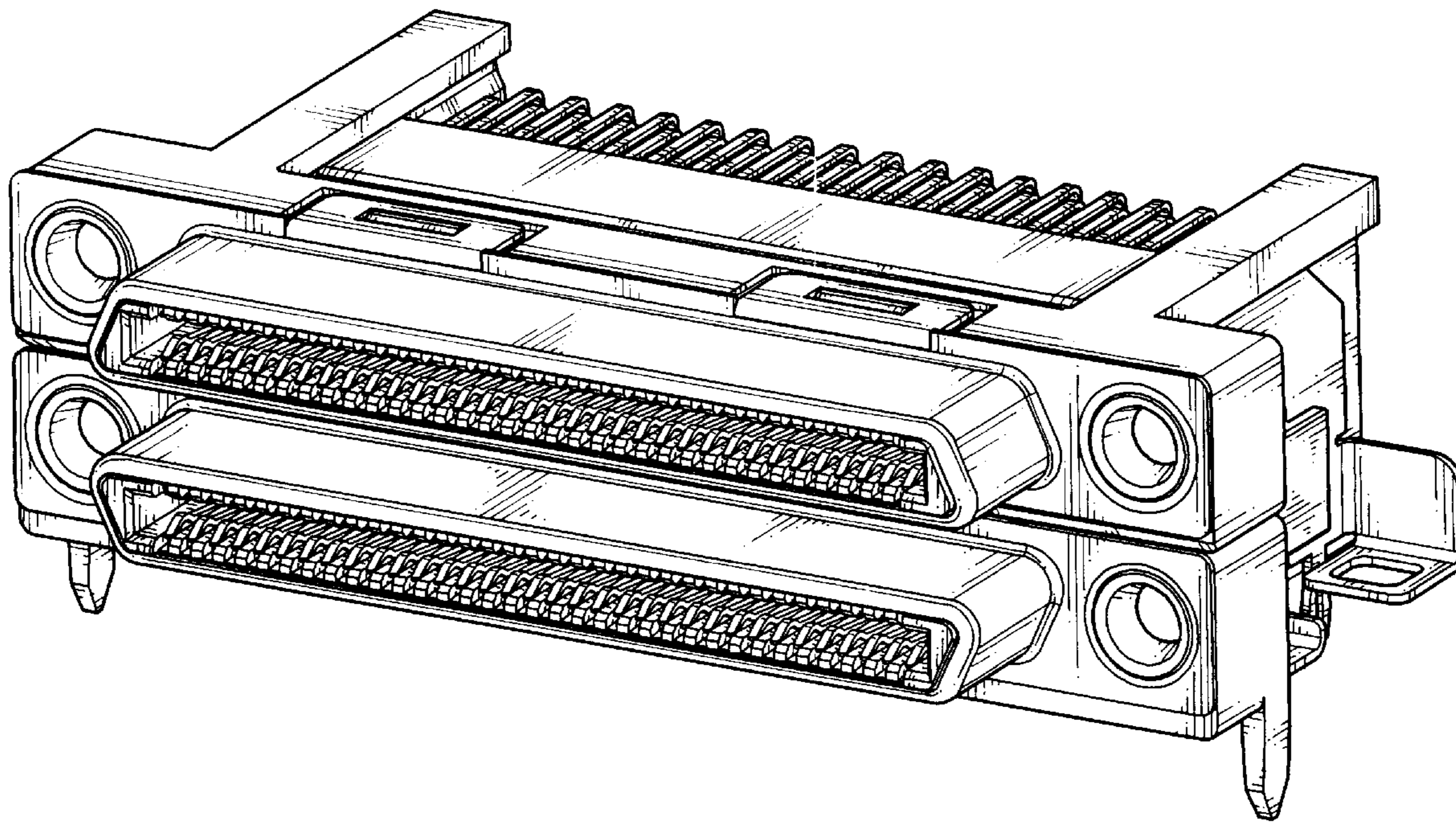
[58] **Field of Search** D13/146, 147;
439/78, 79, 540.1, 541.5, 607

[56] **References Cited**

U.S. PATENT DOCUMENTS

5,167,531 12/1992 Broschard, III et al. 439/541.5

1 Claim, 7 Drawing Sheets



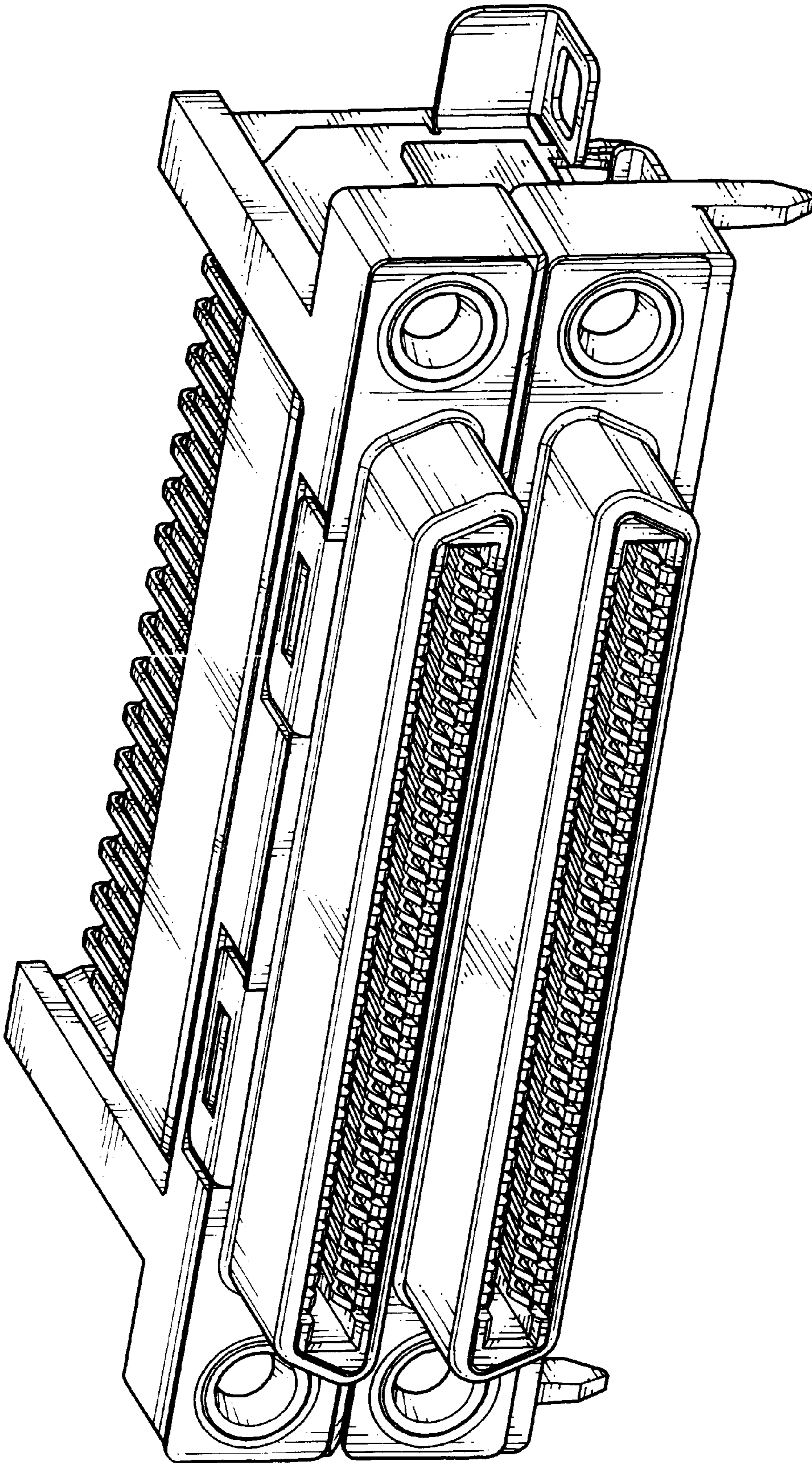


FIG. 1

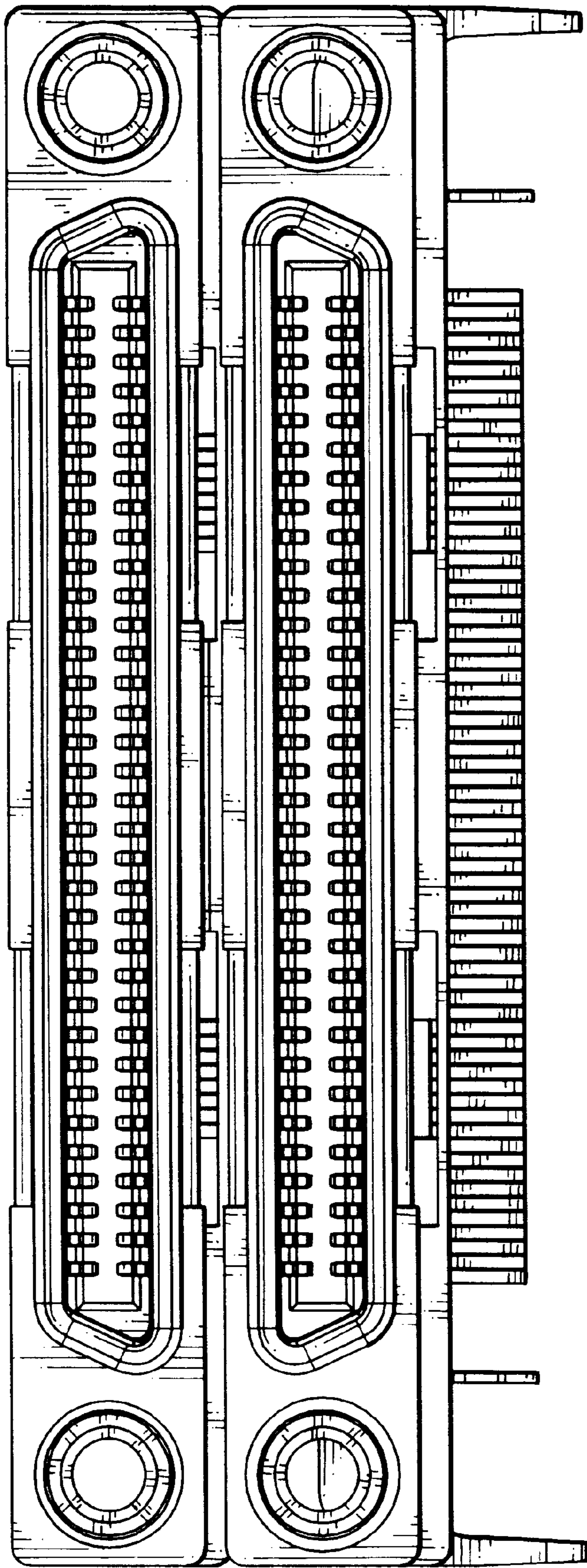


FIG. 2

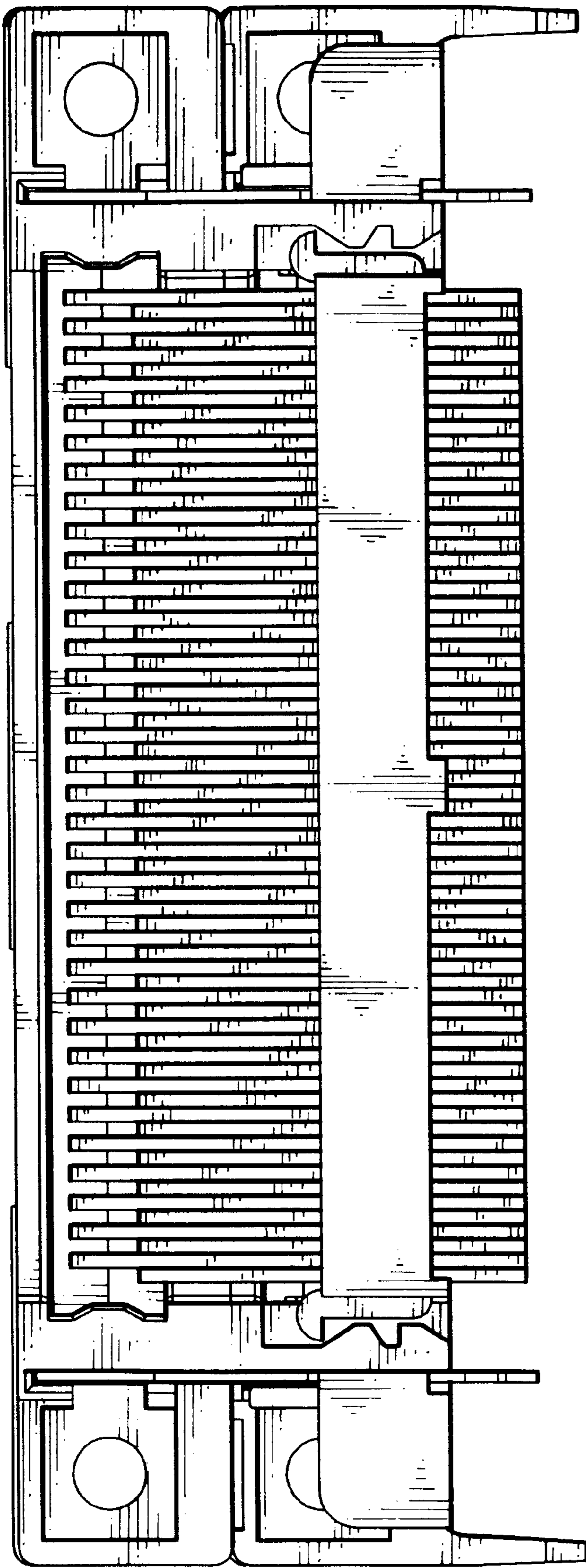


FIG. 3

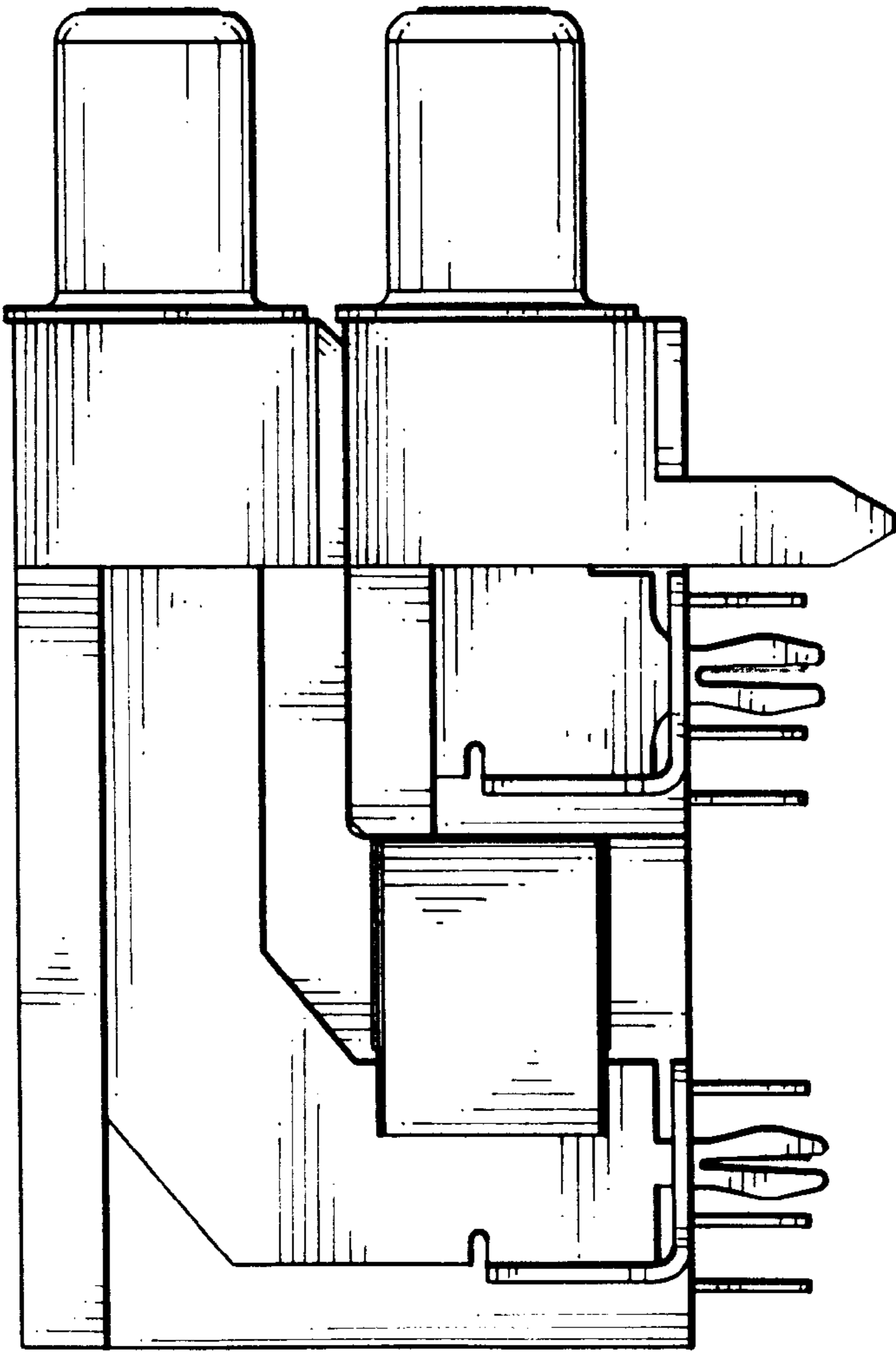


FIG. 4

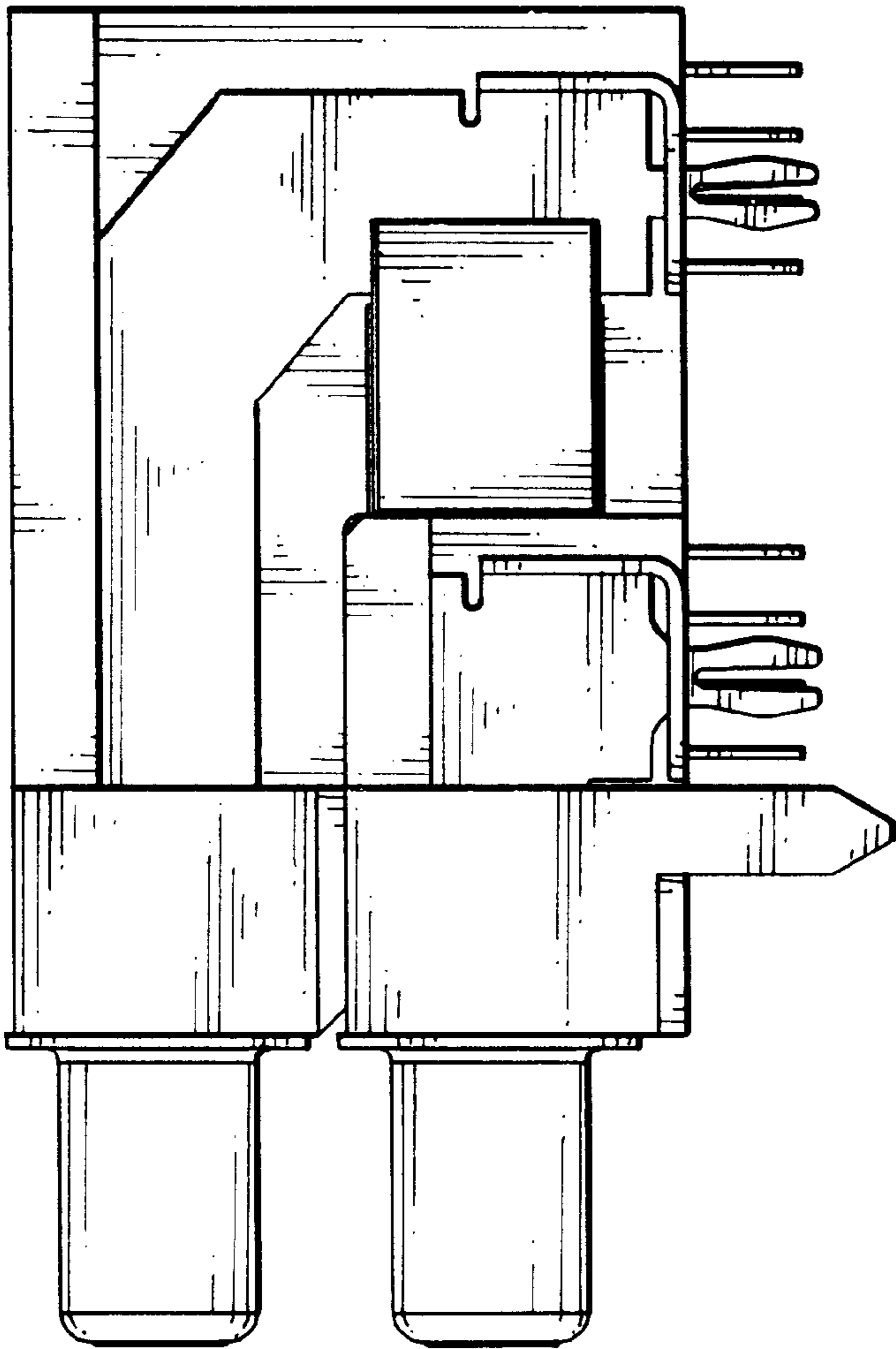


FIG. 5

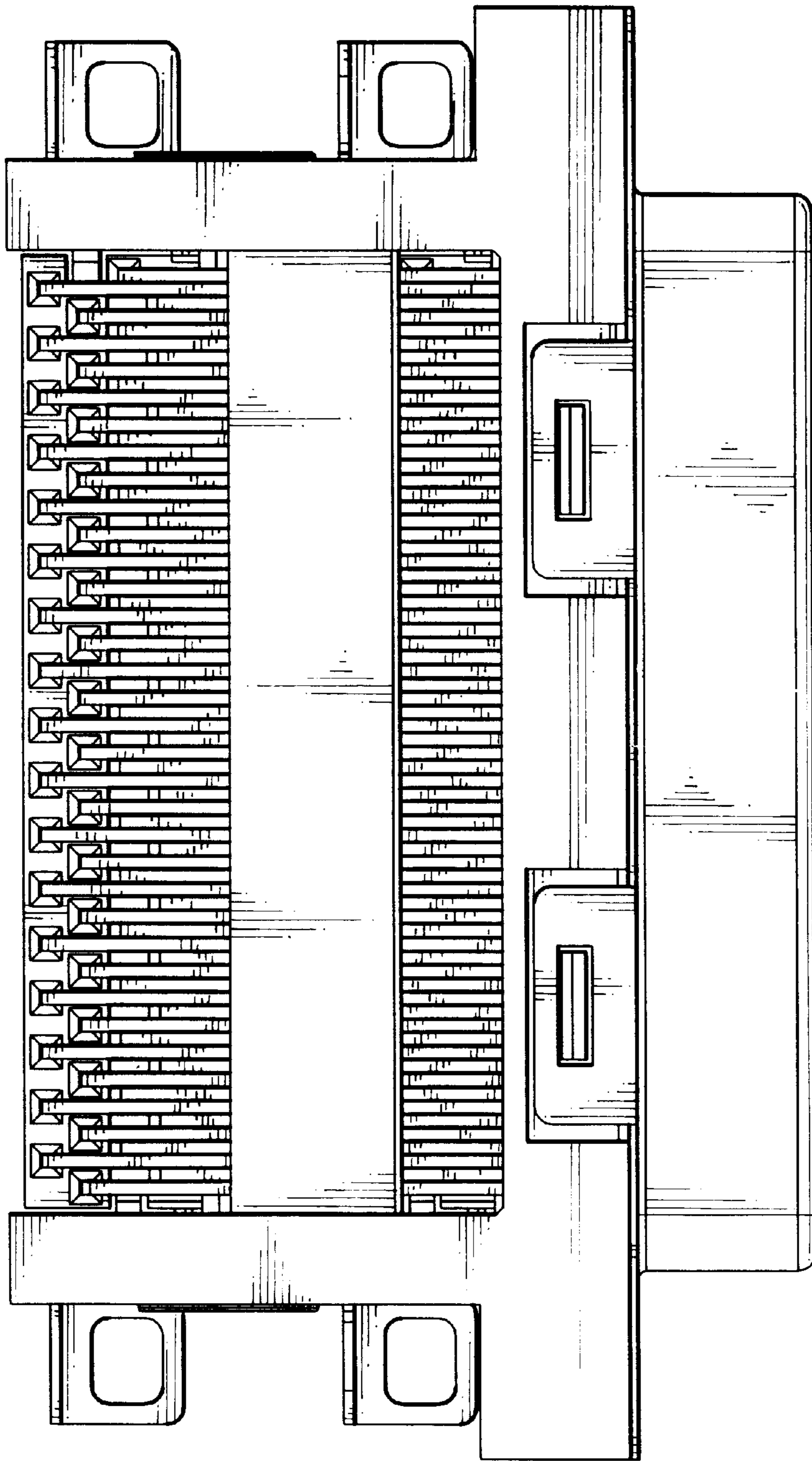


FIG. 6

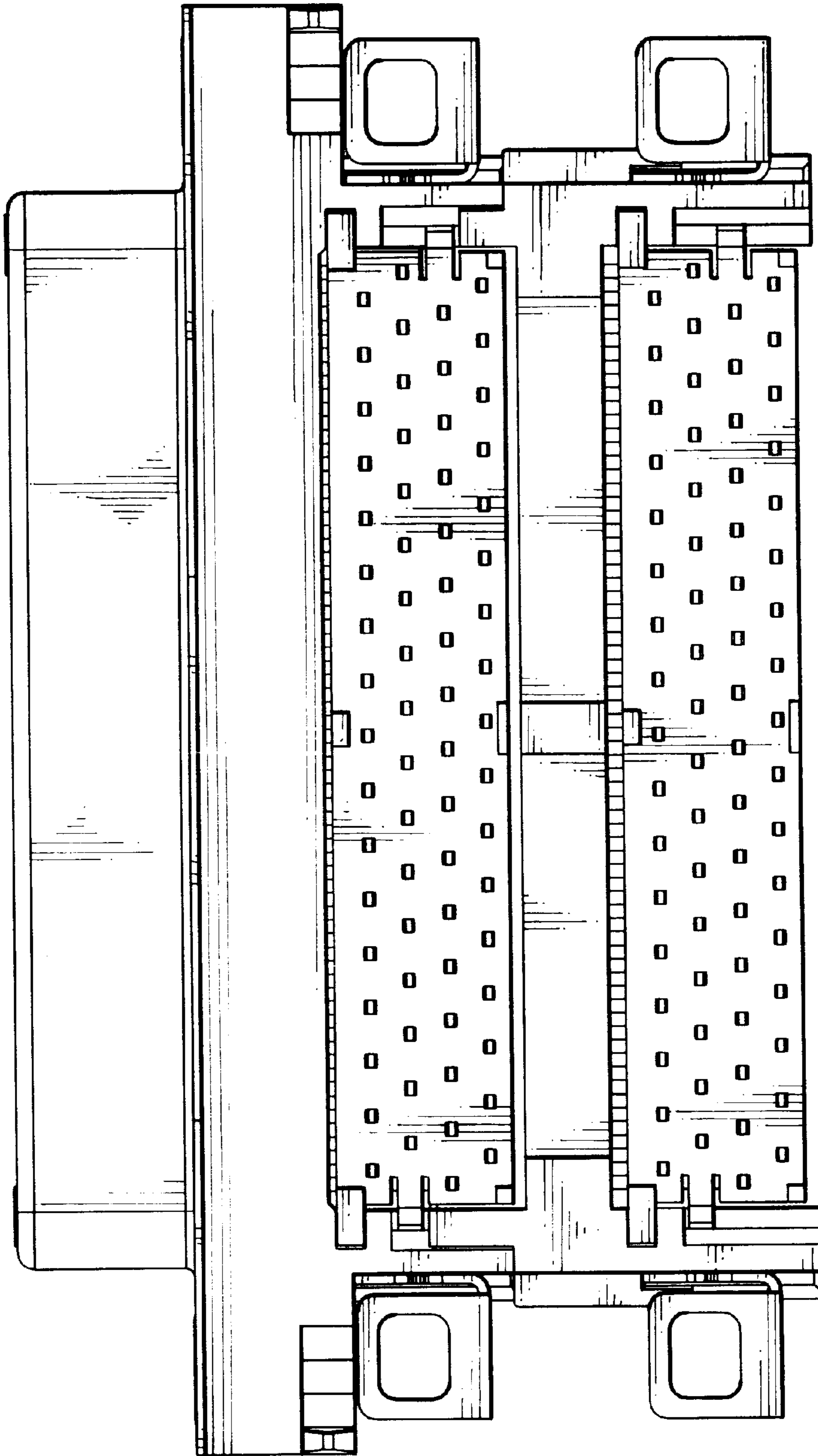


FIG. 7