



US00D414156S

**United States Patent** [19]  
**Gilles**

[11] **Patent Number: Des. 414,156**

[45] **Date of Patent: \*\* Sep. 21, 1999**

[54] **VEHICLE WHEEL FRONT FACE SEGMENT**

[75] Inventor: **Ralph V. Gilles**, Lake Orion, Mich.

[73] Assignee: **Chrysler Corporation**, Auburn Hills, Mich.

[\*\*] Term: **14 Years**

[21] Appl. No.: **29/081,319**

[22] Filed: **Dec. 30, 1997**

[51] **LOC (6) Cl.** ..... **12-16**

[52] **U.S. Cl.** ..... **D12/211**

[58] **Field of Search** ..... D12/204-213;  
301/64.1, 65, 37.1

D. 375,286 11/1996 Abbott ..... D12/209  
D. 375,287 11/1996 Neeper ..... D12/211  
D. 386,139 11/1997 Cullen ..... D12/209  
D. 396,839 8/1998 Cullen ..... D12/211

**OTHER PUBLICATIONS**

1998 Chrysler Corporation Fleet Buyer's Guide for Wheels/Wheel Covers, undated, 5 pgs.

*Primary Examiner*—Doris V. Coles  
*Assistant Examiner*—Stacia Sinuik  
*Attorney, Agent, or Firm*—Mark P. Calcaterra

[57] **CLAIM**

The ornamental design for a vehicle wheel front face segment, as shown and described.

**DESCRIPTION**

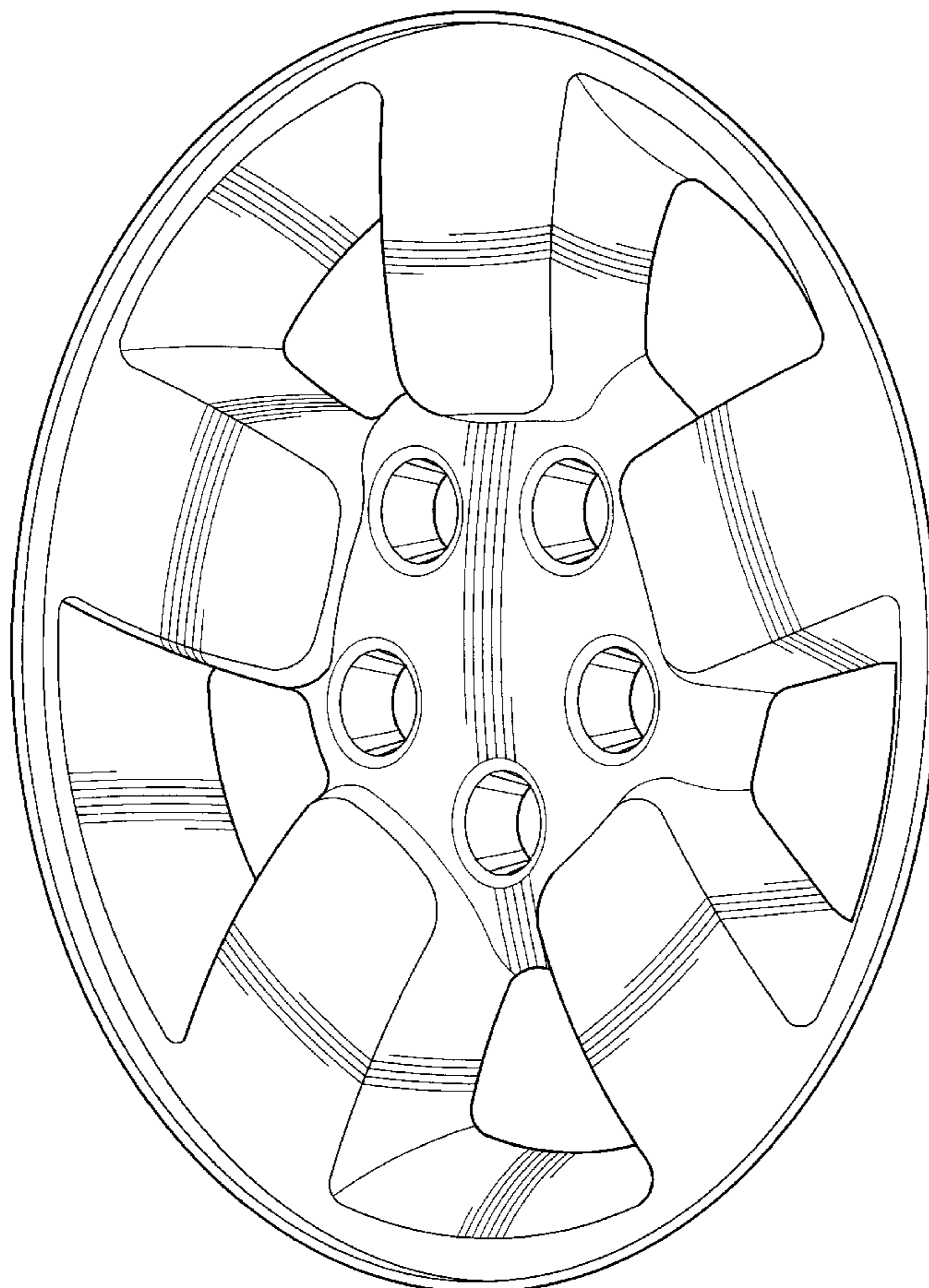
FIG. 1 is a perspective view illustrating a first embodiment of a vehicle wheel front face segment constructed in accordance with the teachings of the present invention; FIG. 2 is a reduced front view thereof; FIG. 3 is a perspective view illustrating a second embodiment of a vehicle wheel front face segment constructed in accordance with the teachings of the present invention; and, FIG. 4 is a reduced front view thereof.

[56] **References Cited**

**U.S. PATENT DOCUMENTS**

D. 219,871	2/1971	Griffith	.....	D12/209
D. 241,830	10/1976	Patch	.....	D12/211
D. 259,484	6/1981	Welburn	.....	D12/209
D. 286,278	10/1986	Sandberg	.....	D12/211
D. 335,859	5/1993	Mattin	.....	D12/211
D. 371,533	7/1996	Gastiglione	.....	D12/209
D. 372,698	8/1996	Mantua	.....	D12/209
D. 372,699	8/1996	Mantua	.....	D12/209
D. 374,646	10/1996	Abbott	.....	D12/209

**1 Claim, 4 Drawing Sheets**



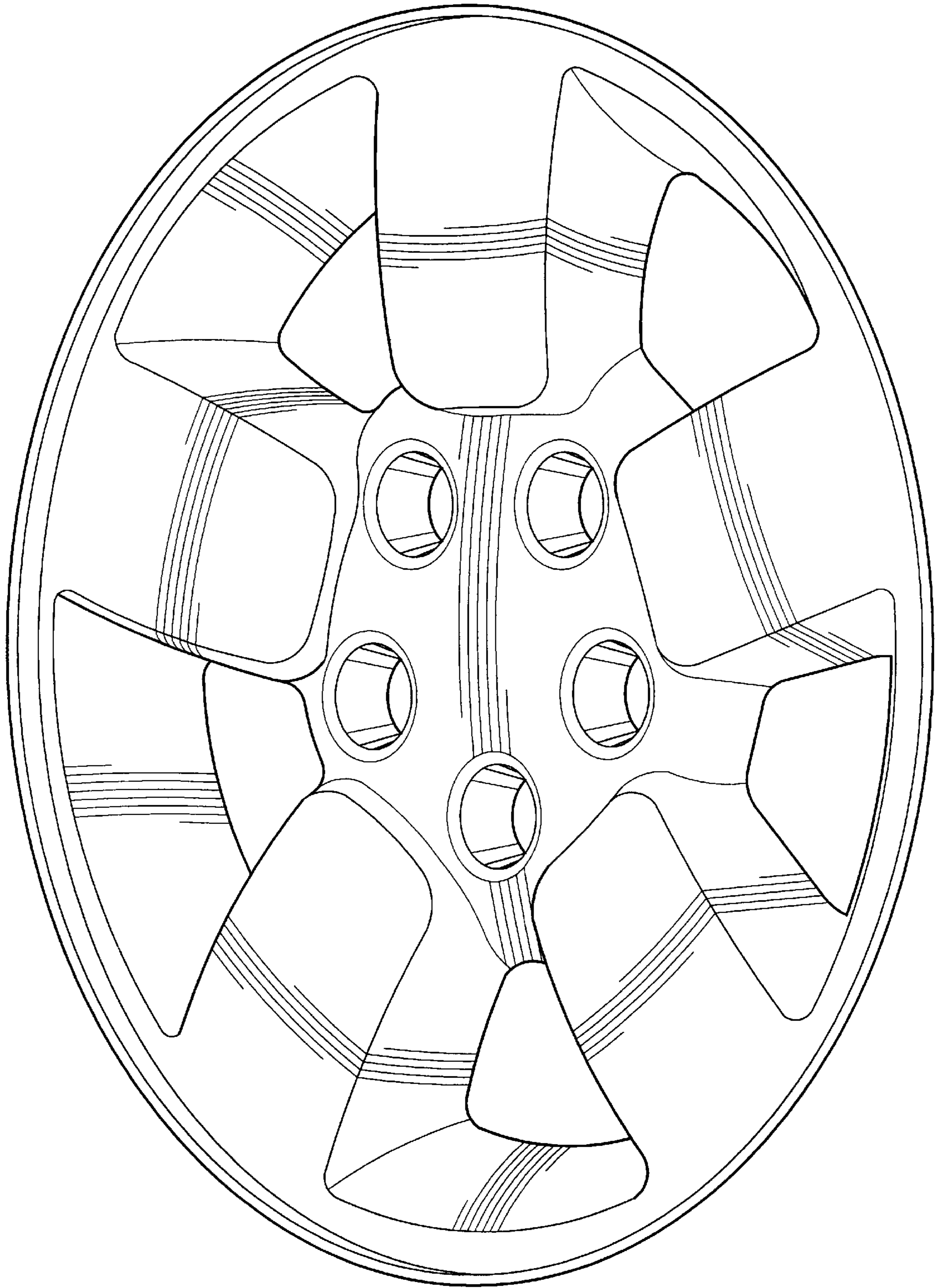


Fig-1

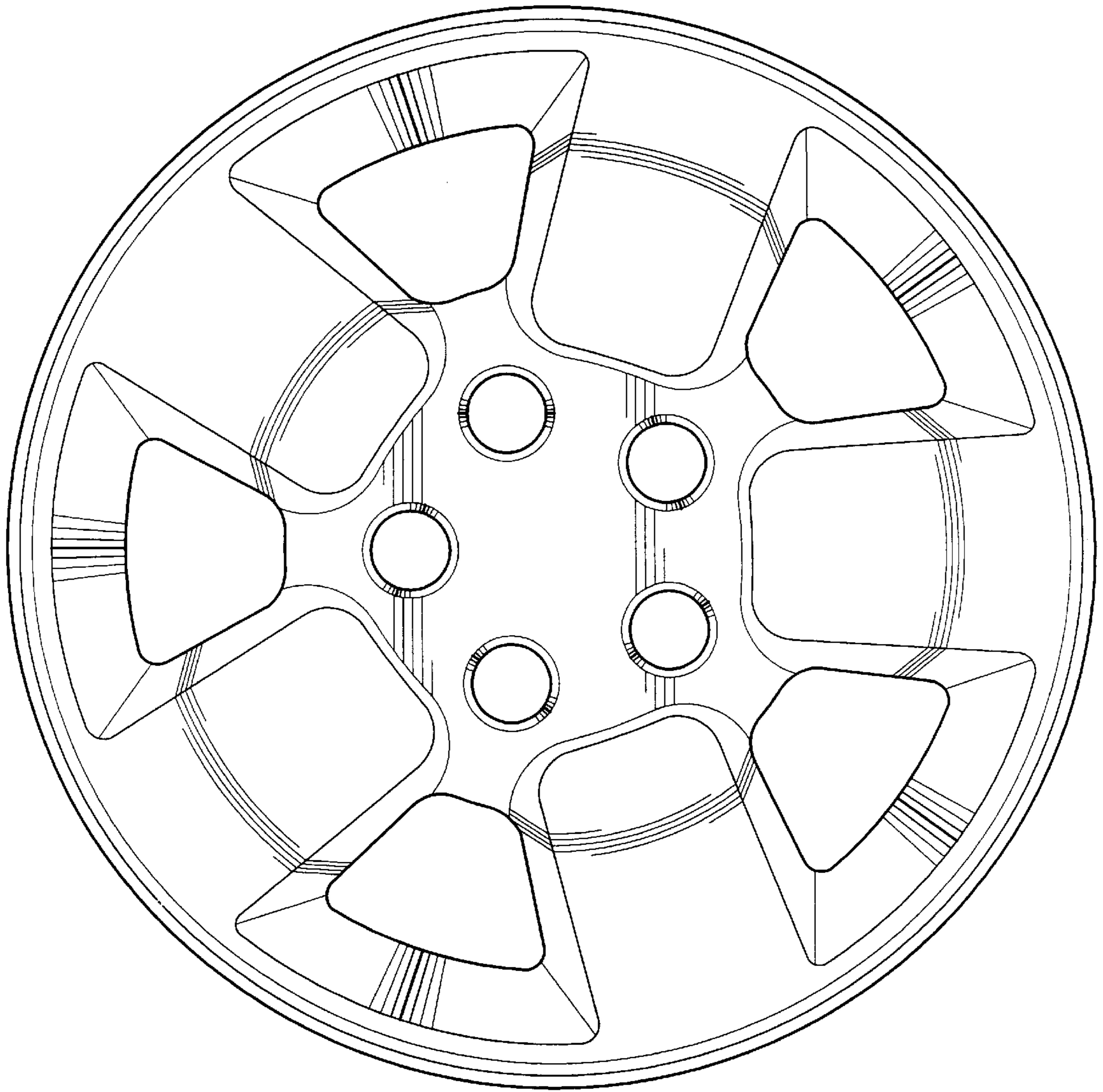


Fig-2

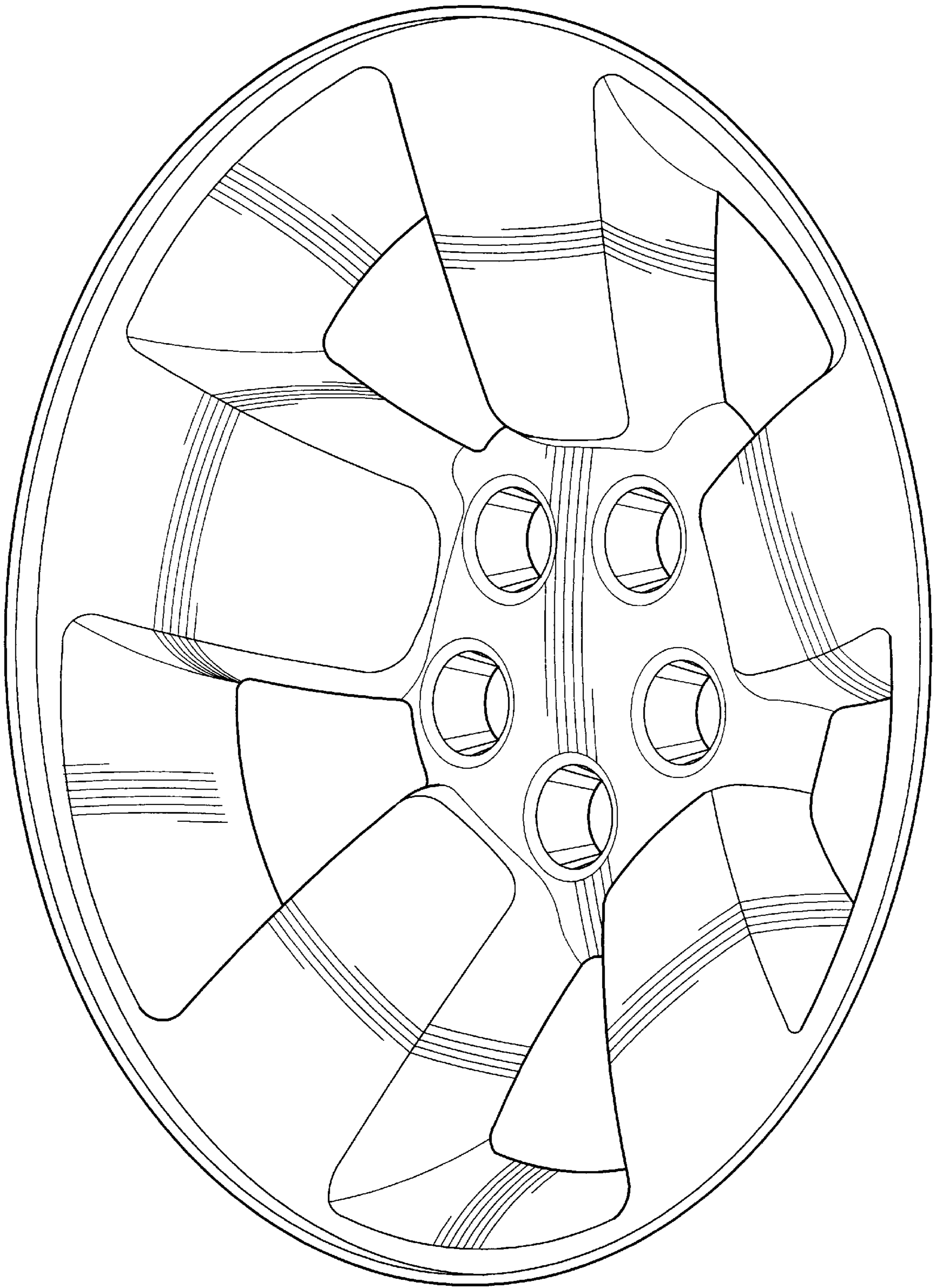


Fig-3

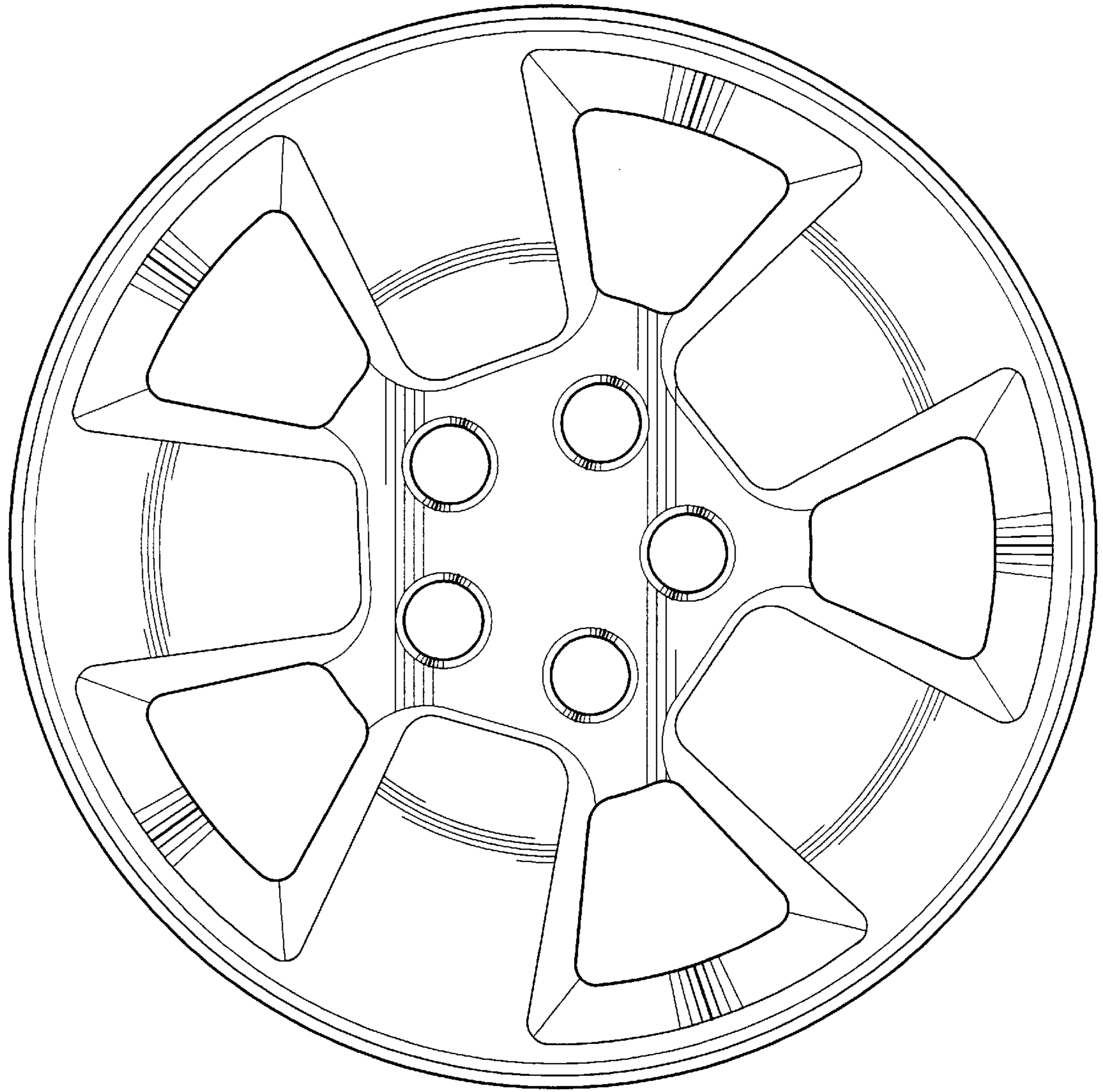


Fig-4