



US00D414152S

United States Patent [19]
Sprague

[11] **Patent Number: Des. 414,152**

[45] **Date of Patent: ** Sep. 21, 1999**

[54] **SET OF KICK PLATES**

[75] Inventor: **Carl E. Sprague**, Fullerton, Calif.

[73] Assignee: **Custom Autosound Mfg., Inc.**,
Anaheim, Calif.

[**] Term: **14 Years**

[21] Appl. No.: **29/085,935**

[22] Filed: **Apr. 1, 1998**

[51] **LOC (6) Cl.** **12-16**

[52] **U.S. Cl.** **D12/195**

[58] **Field of Search** D12/195, 190;
296/37.13-37.15, 146.1, 148-151; 49/501-503

[56] **References Cited**

U.S. PATENT DOCUMENTS

D. 278,621	4/1985	Scher	D12/190
D. 296,883	7/1988	Lim	D12/195
D. 338,865	8/1993	Lim	D12/195
D. 348,644	7/1994	Lim	D12/195
D. 382,528	8/1997	Hellhake et al.	D12/195
D. 387,024	12/1997	Hellhake et al.	D12/195

Primary Examiner—Doris V. Coles
Assistant Examiner—Stacia Sinuik

Attorney, Agent, or Firm—Thomas I. Rozsa; Tony D. Chen;
Jerry Fong

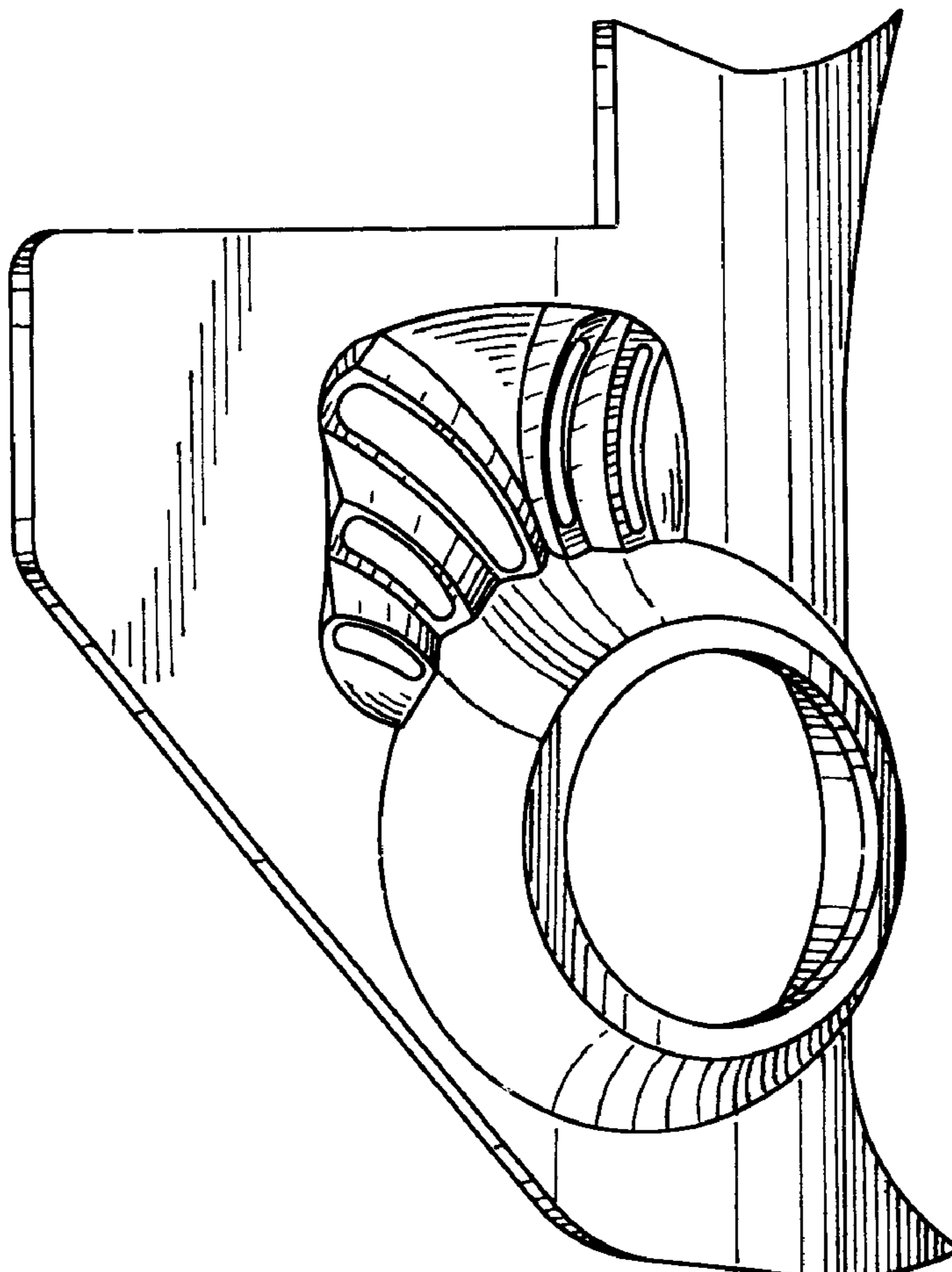
[57] **CLAIM**

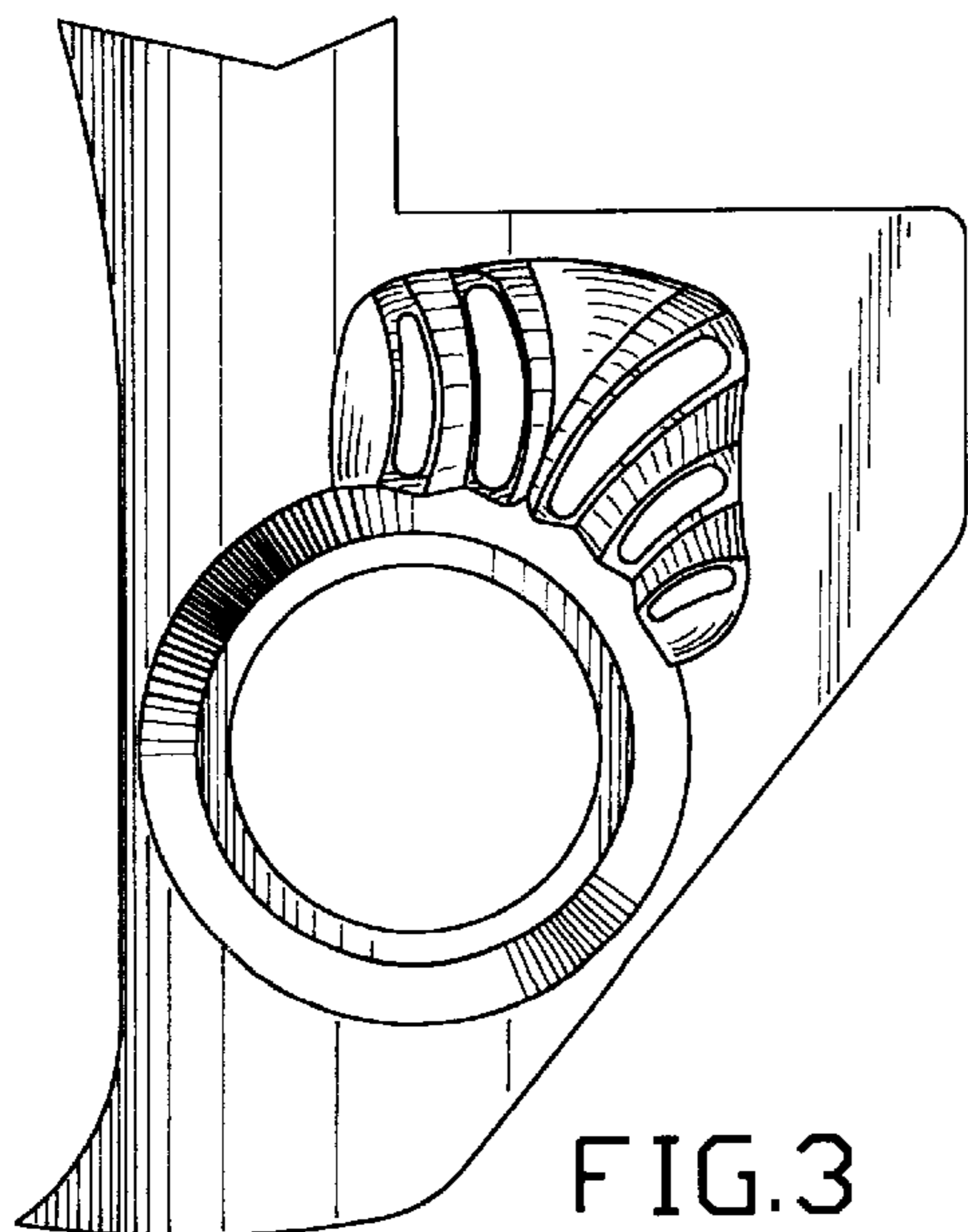
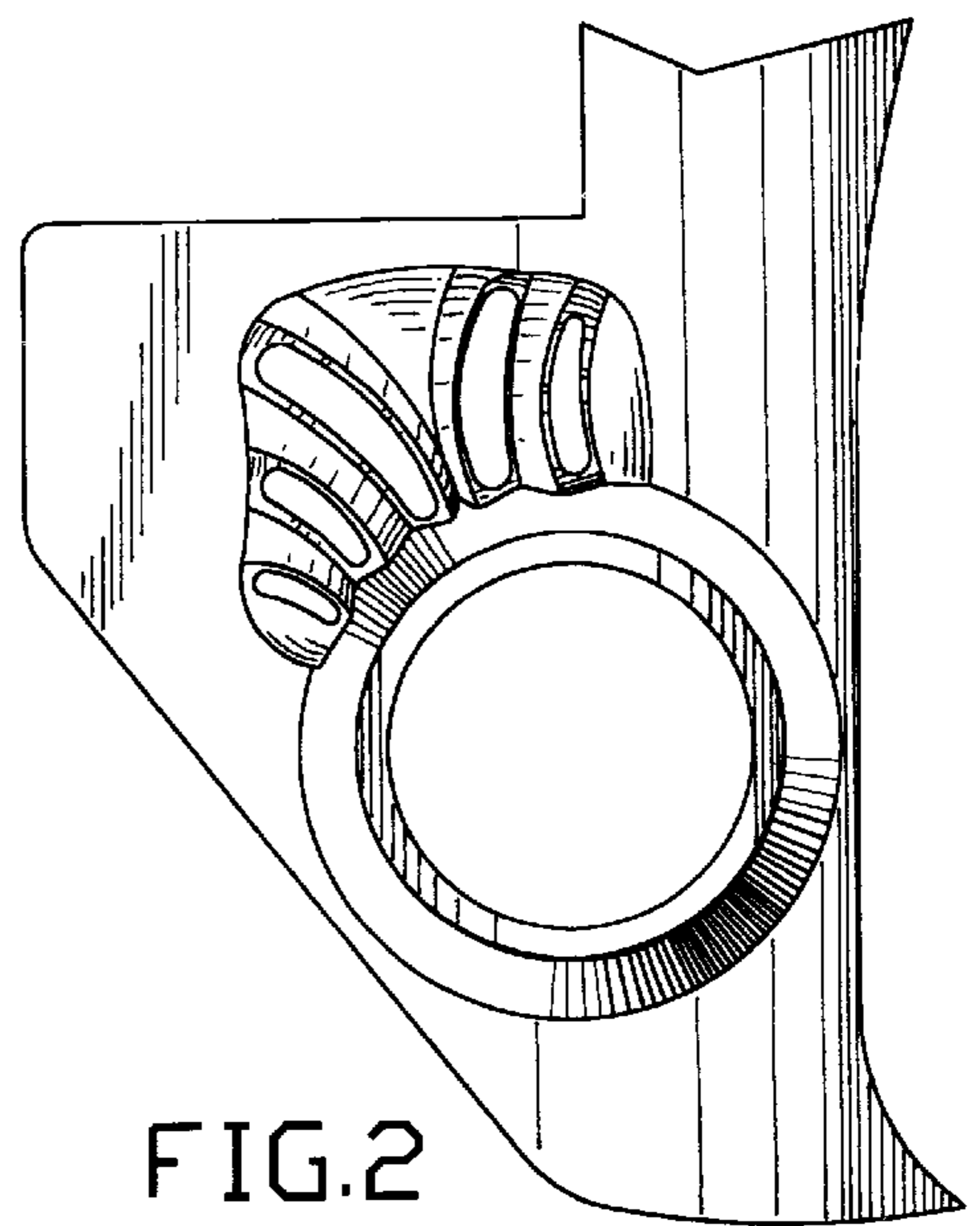
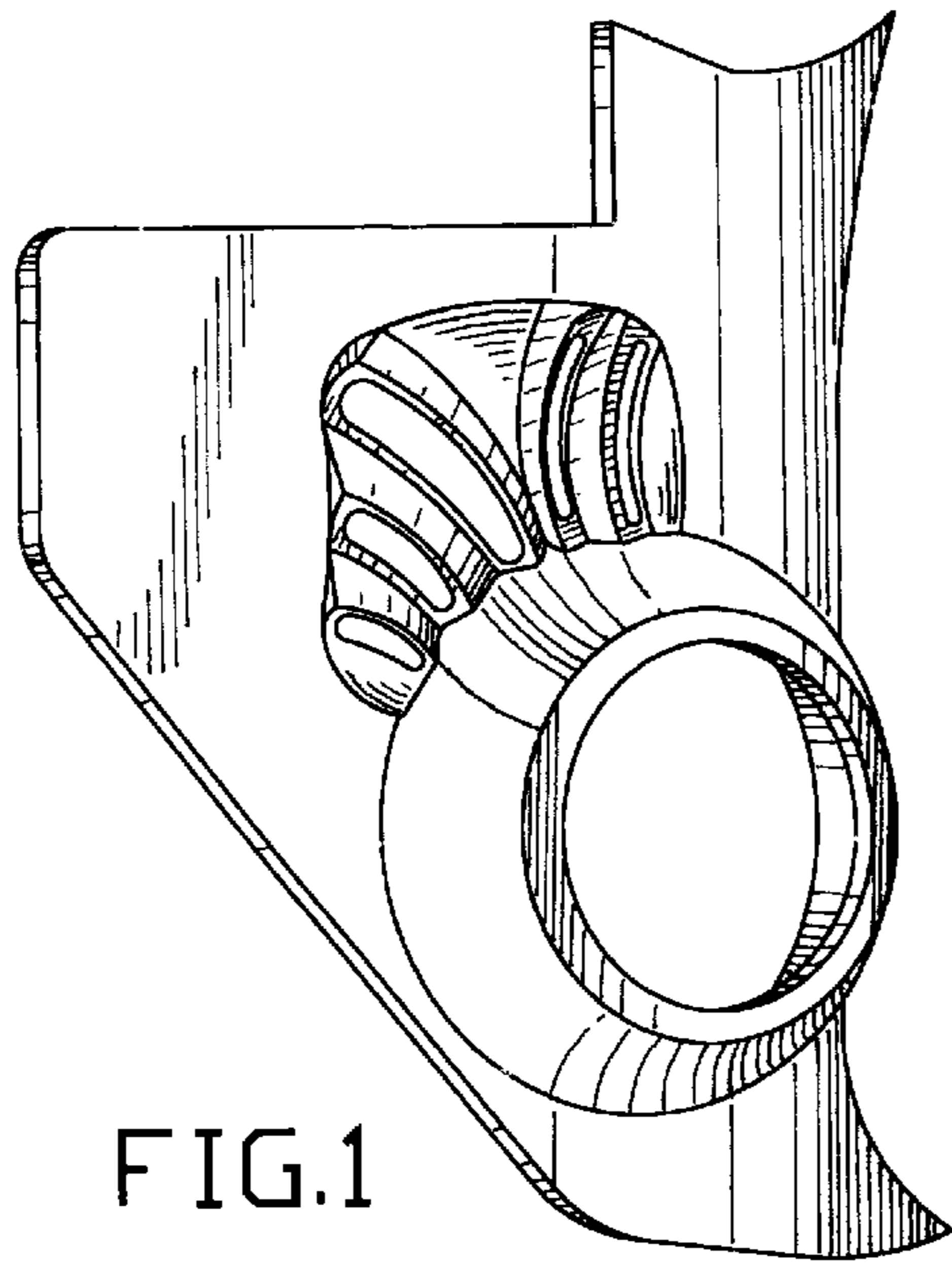
The ornamental design for a set of kick plates, as shown and described.

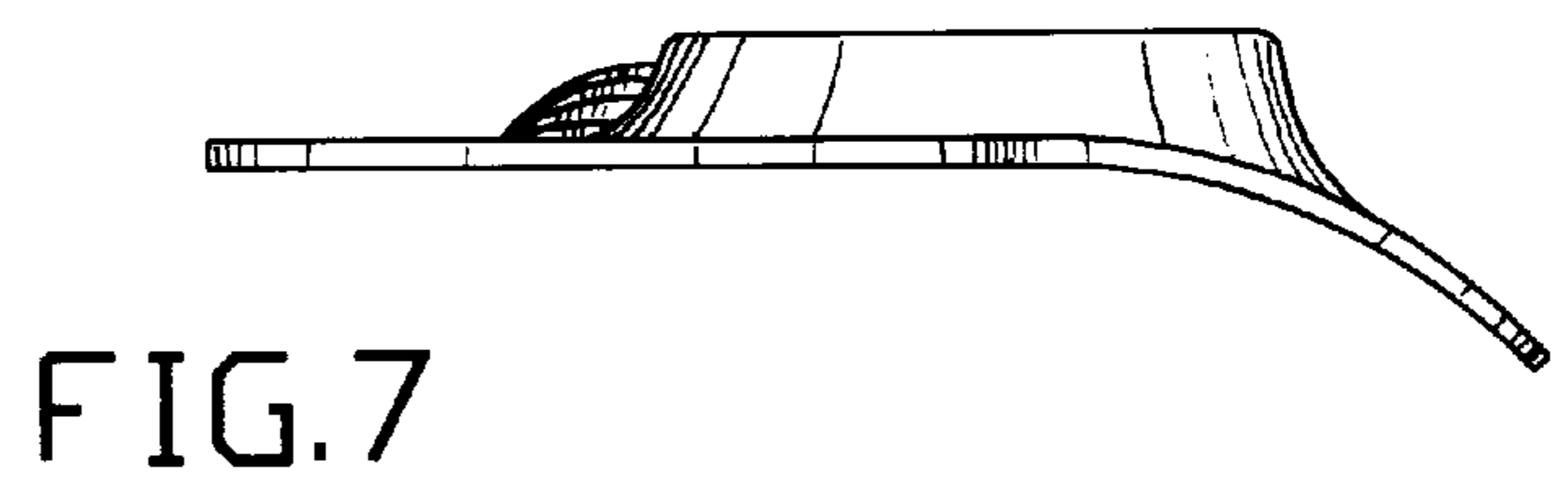
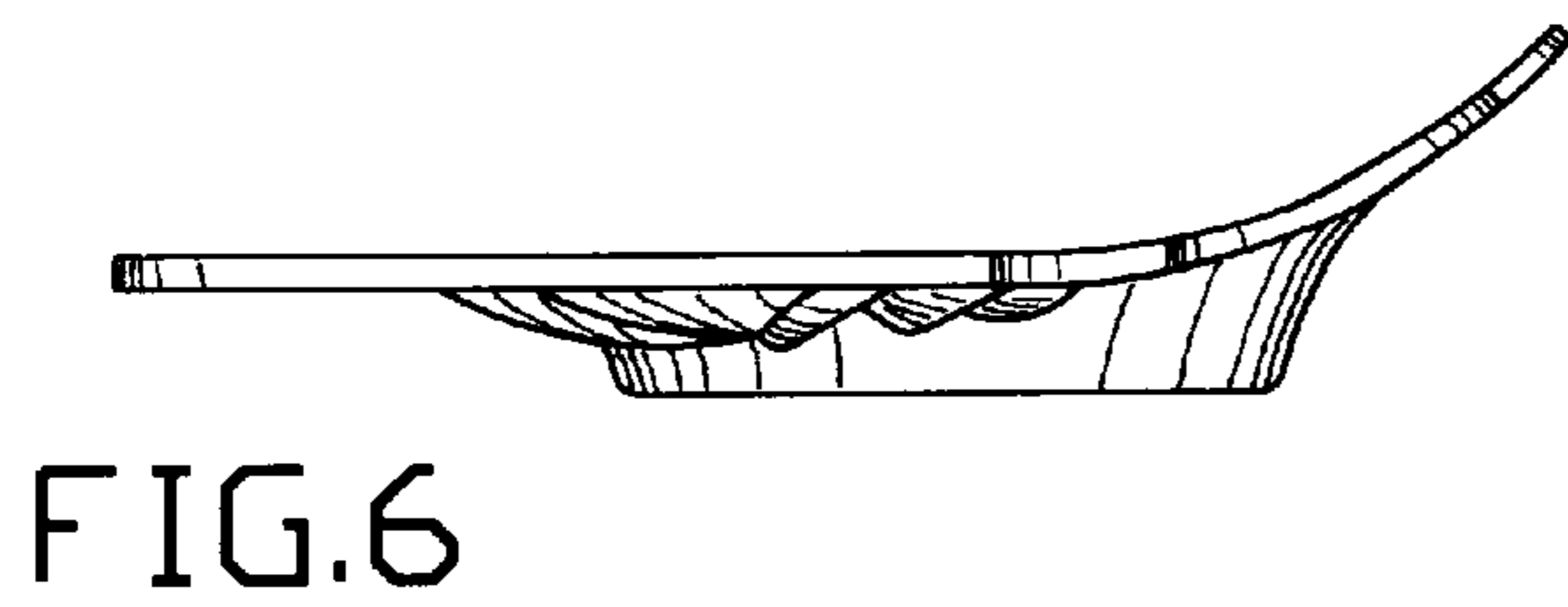
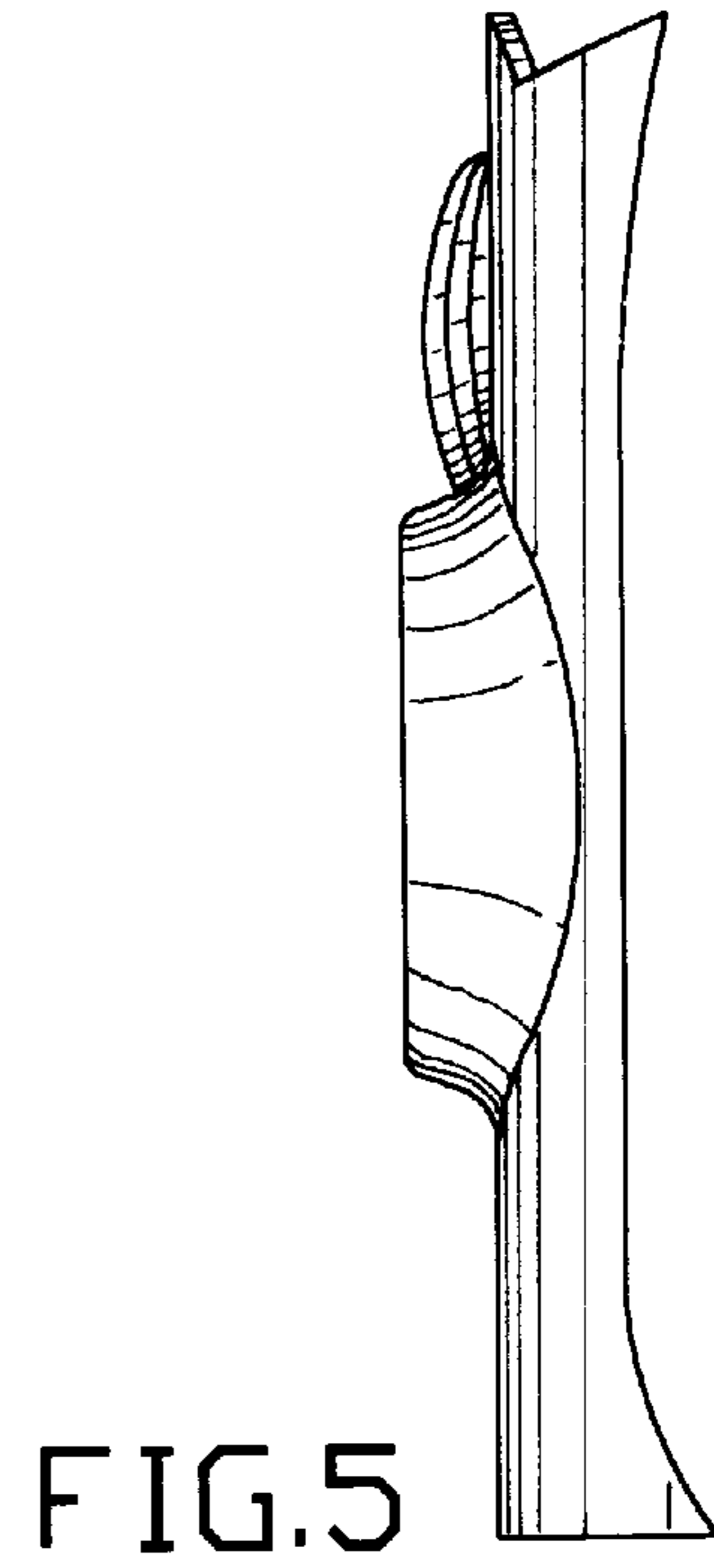
DESCRIPTION

FIG. 1 is a perspective view of the passenger side kick plate of a set of kick plates, showing my new design;
FIG. 2 is a top plan view thereof;
FIG. 3 is a bottom plan view thereof;
FIG. 4 is a left side elevational view thereof;
FIG. 6 is a top elevational view thereof;
FIG. 7 is a bottom elevational view thereof;
FIG. 8 is a perspective view of the driver side kick plate of a set of kick plates, showing my new design;
FIG. 9 is a top plan view thereof;
FIG. 10 is a bottom plan view thereof;
FIG. 11 is a left side elevational view thereof;
FIG. 12 is right side elevational view thereof;
FIG. 13 is a top elevational view thereof; and,
FIG. 14 is a bottom elevational view thereof.

1 Claim, 4 Drawing Sheets







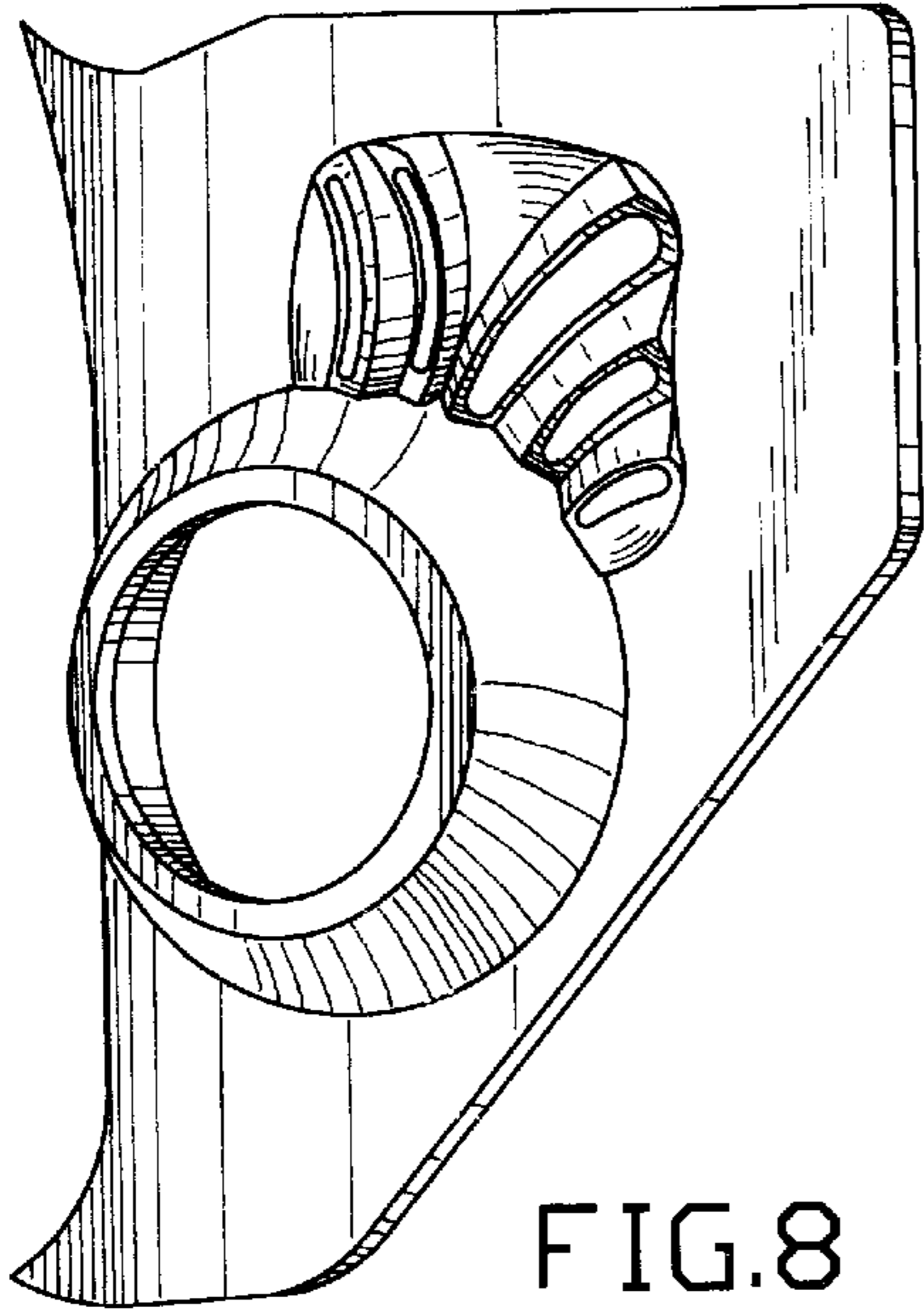


FIG. 8

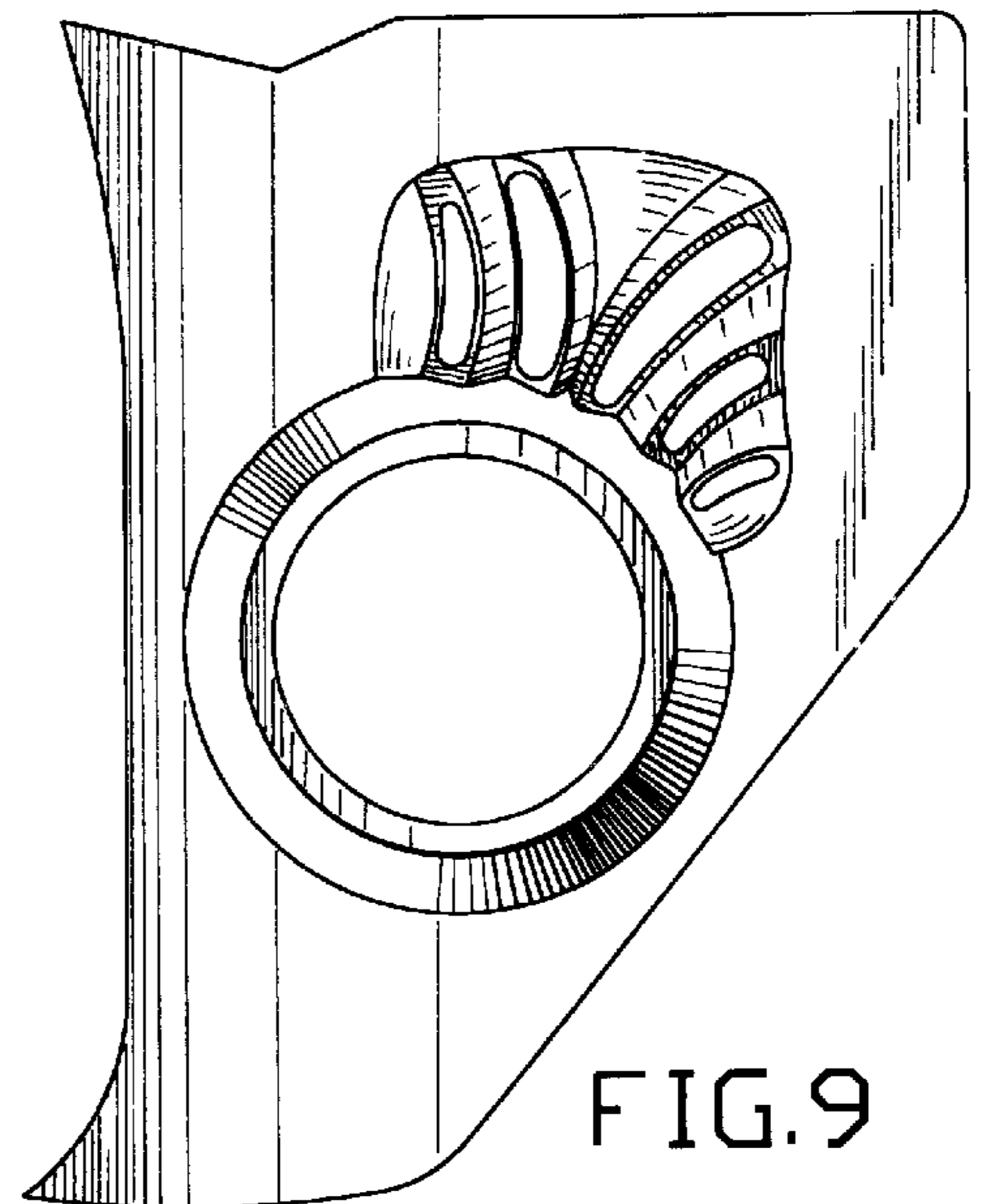


FIG. 9

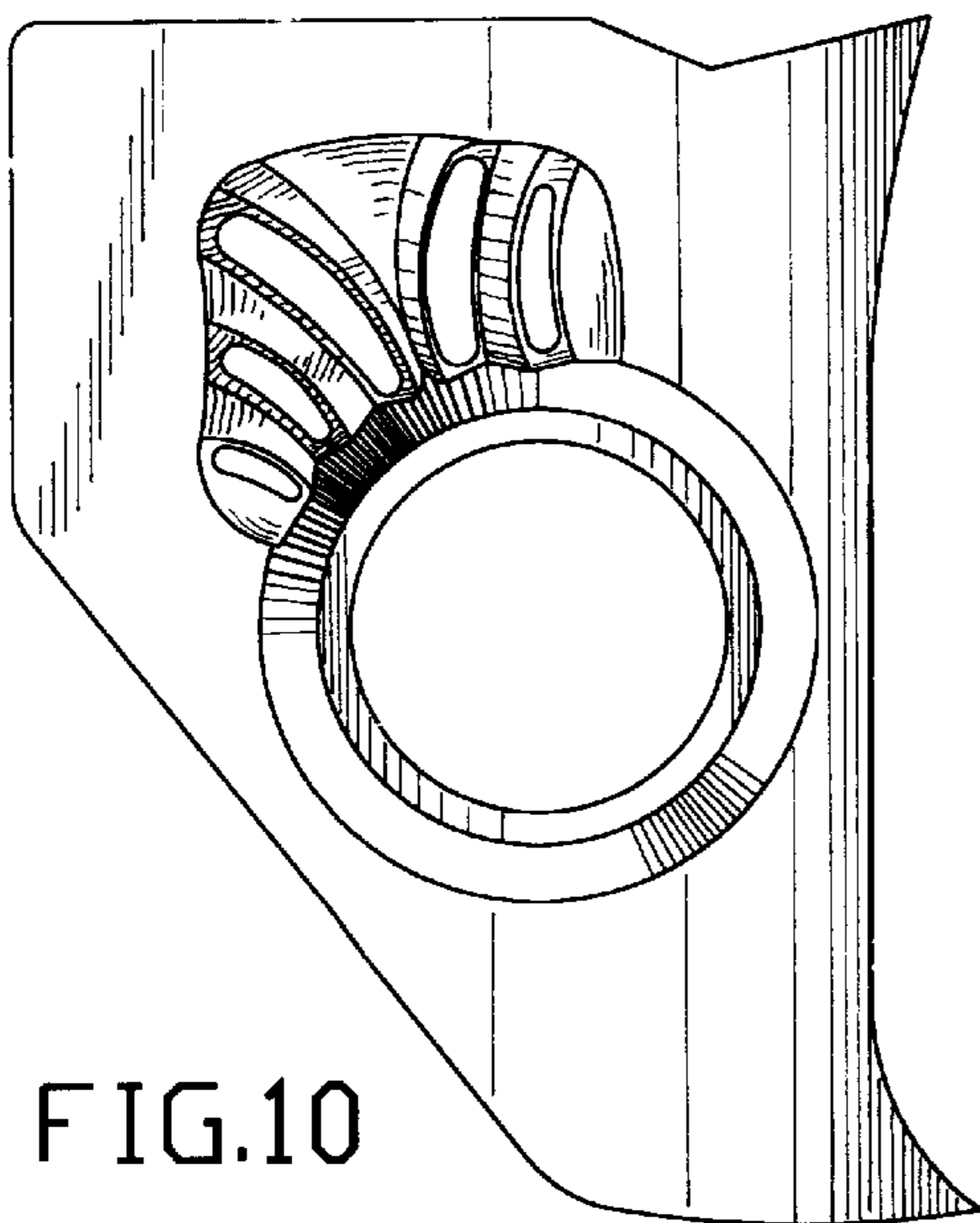


FIG. 10

