



US00D414151S

United States Patent [19]
Paquette, Jr.

[11] **Patent Number: Des. 414,151**
[45] **Date of Patent: ** Sep. 21, 1999**

[54] **BICYCLE MIRROR**
[76] Inventor: **Joseph G. Paquette, Jr.**, 12 Johnston Ave., Whitinsville, Mass. 01588
[**] Term: **14 Years**
[21] Appl. No.: **29/088,824**
[22] Filed: **Jun. 1, 1998**
[51] **LOC (6) Cl.** **12-16**
[52] **U.S. Cl.** **D12/188**
[58] **Field of Search** D12/187-189; 359/838, 871, 842, 879, 517; D11/1-4; 224/267

D. 347,589 6/1994 LaBate D11/3
1,453,671 5/1923 Harrold 359/871
3,771,717 11/1973 McDermott D11/4
4,828,379 5/1989 Parsons et al. D12/187
5,361,169 11/1994 Deal 359/517
5,530,588 6/1996 Vivier 359/517

Primary Examiner—Ralf Seifert

[57] **CLAIM**

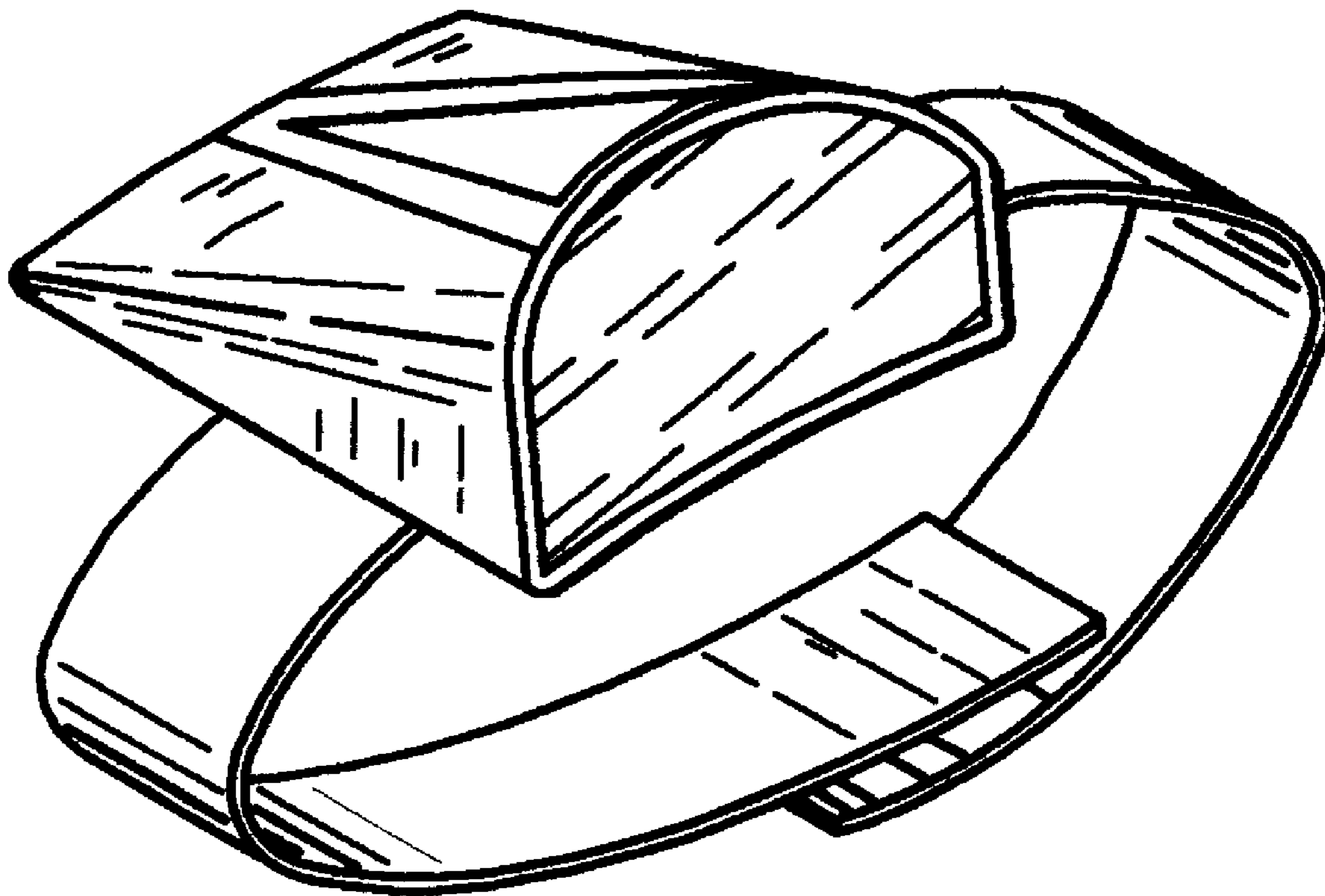
The ornamental design for a bicycle mirror, as shown.

DESCRIPTION

FIG. 1 is a top plan view.
FIG. 2 is a front elevational view thereof;
FIG. 3 is a right side elevational view thereof; and,
FIG. 4 is a side perspective view.

[56] **References Cited**
U.S. PATENT DOCUMENTS
D. 207,065 2/1967 Lee D12/188

1 Claim, 1 Drawing Sheet



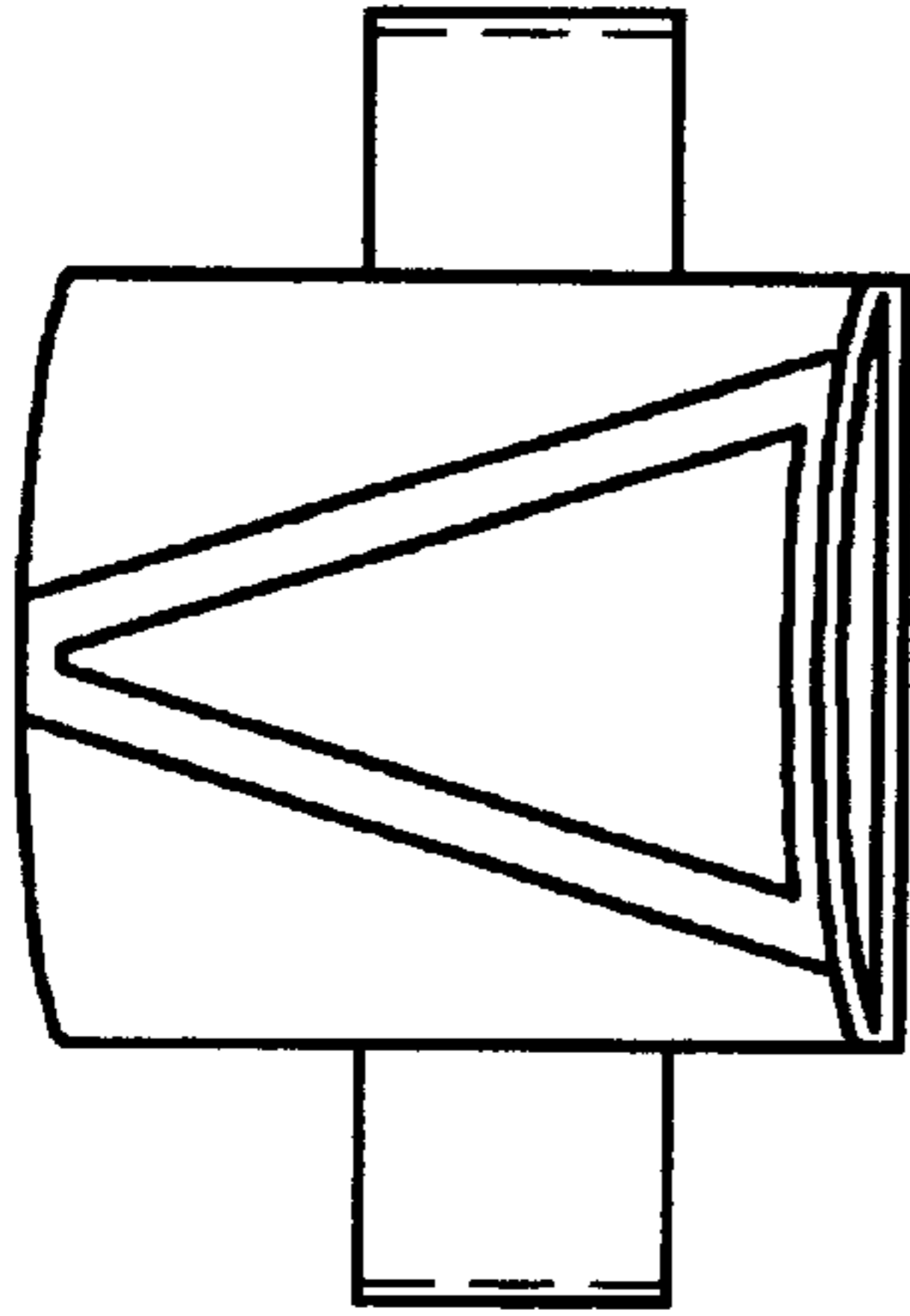


Fig. 1

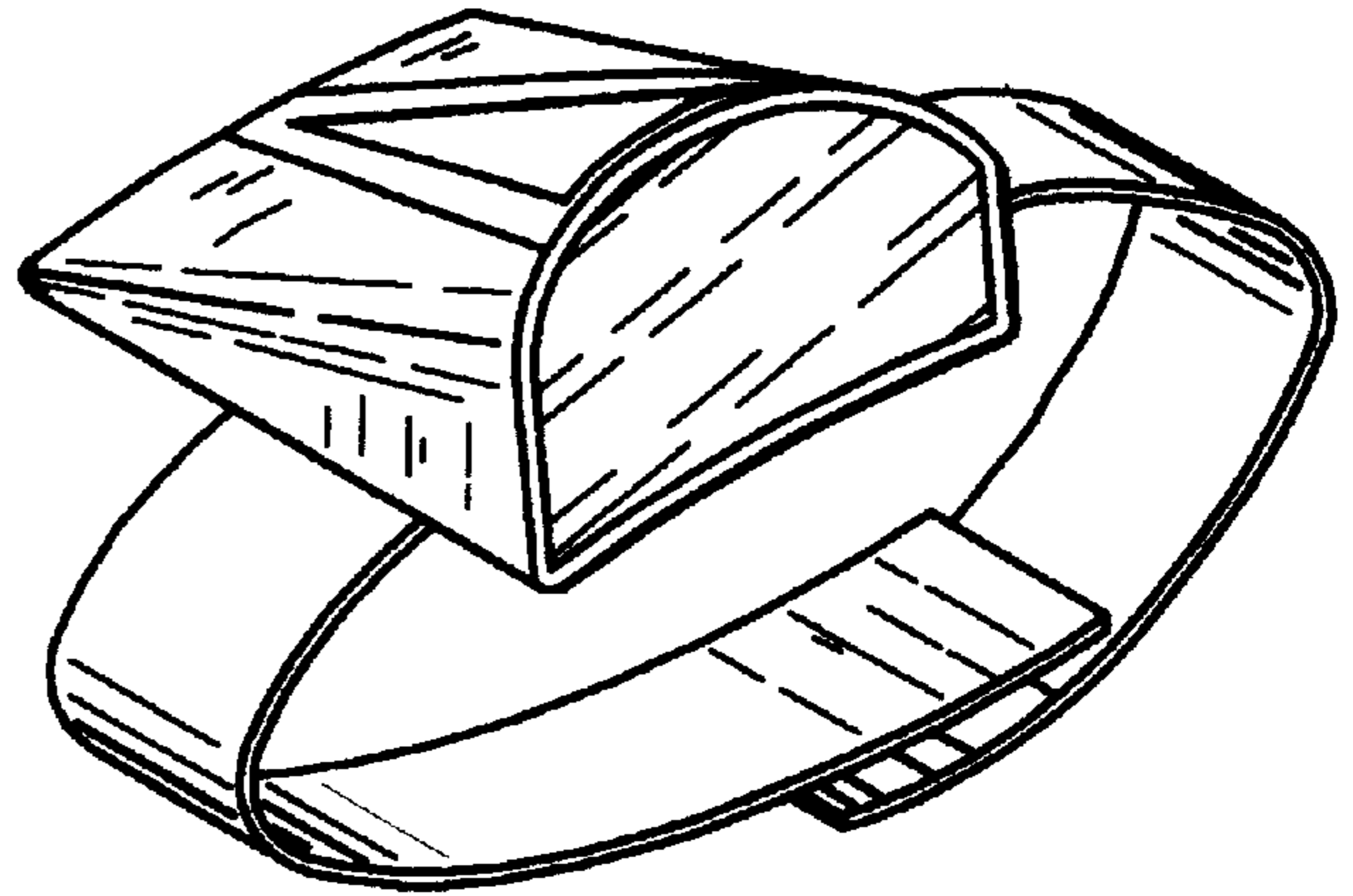


Fig. 4

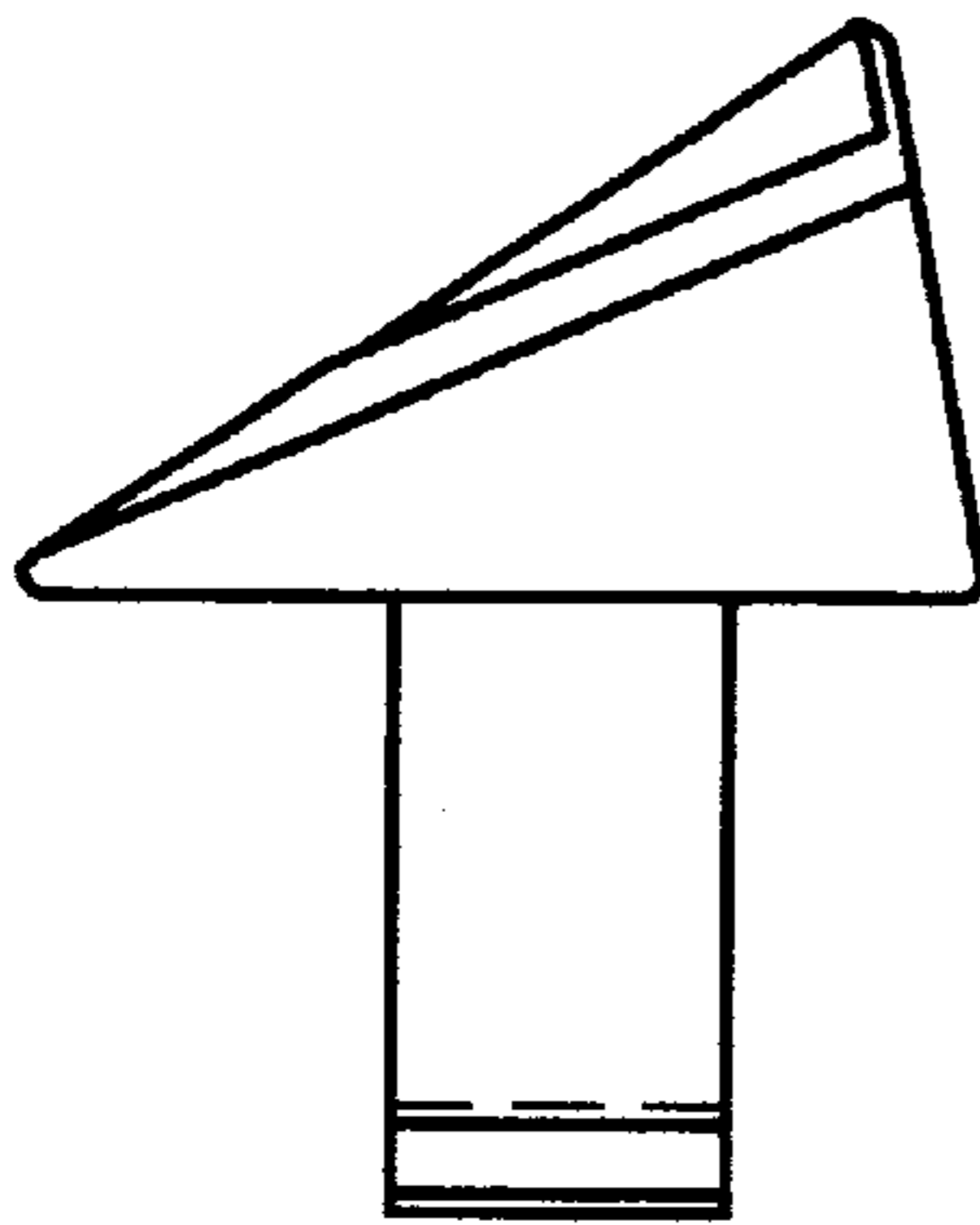


Fig. 2

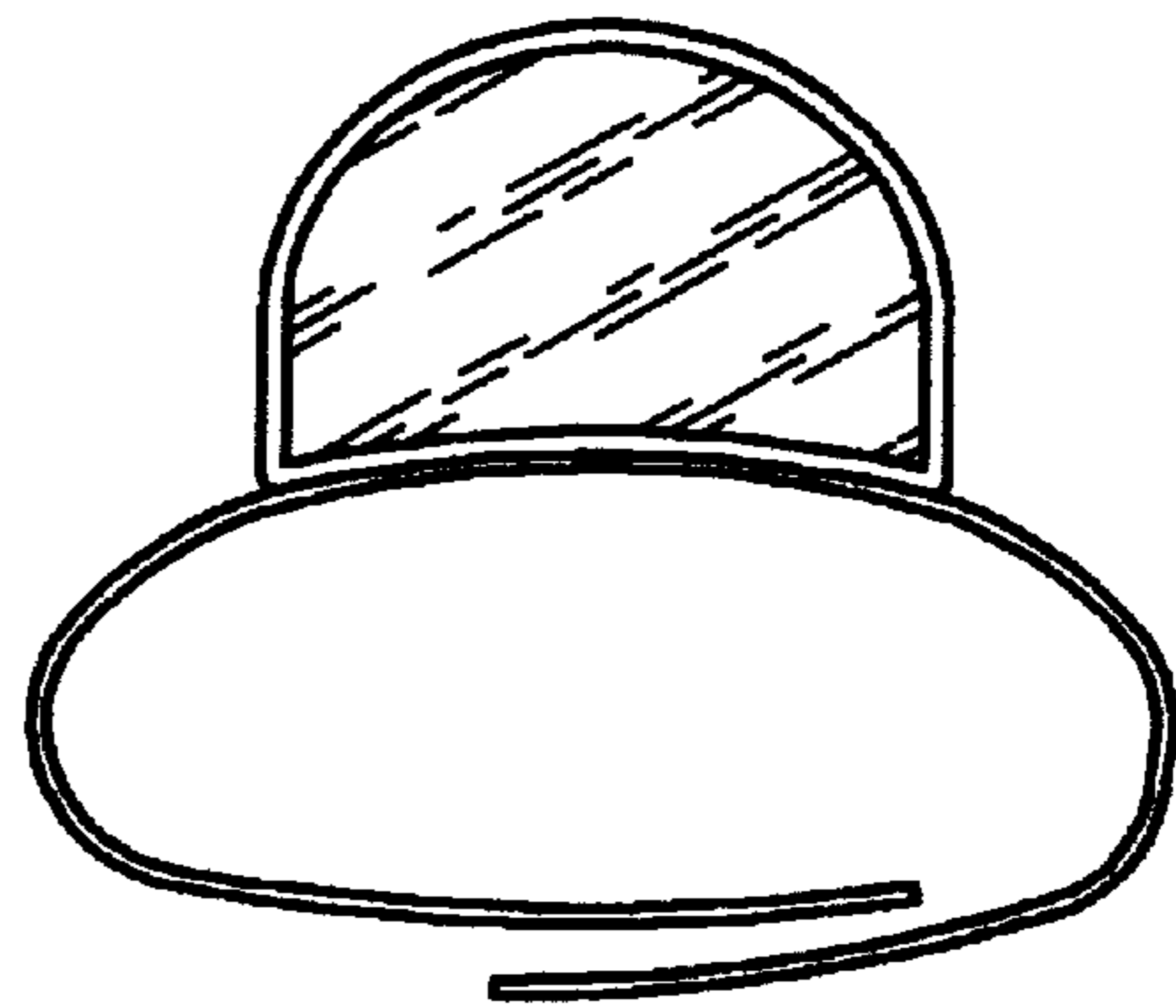


Fig. 3