



US00D414150S

United States Patent [19]

Sutton et al.

[11] Patent Number: Des. 414,150

[45] Date of Patent: ** Sep. 21, 1999

[54] SUNSHADE OF A TRUCK CAB

[75] Inventors: **Robert A. Sutton**, Clarkston; **John B. Delphia**, White Lake; **Robert W. Anderson**, Detroit, all of Mich.

[73] Assignee: **Navistar International Transportation Corp.**, Chicago, Ill.

[**] Term: **14 Years**

[21] Appl. No.: **29/082,731**

[22] Filed: **Jan. 28, 1998**

[51] LOC (6) Cl. **12-16**

[52] U.S. Cl. **D12/181**

[58] Field of Search D12/191, 181-182, D12/183; D6/546, 549; D8/363; 160/370.21, 371, 105, 354, DIG. 3; 296/91, 95.1, 97.1, 97.6-97.8, 97.11-97.12, 180.1

[56] References Cited

U.S. PATENT DOCUMENTS

D. 239,705	4/1976	Lund	D12/191
D. 288,310	2/1987	Lund	D12/191
D. 303,239	9/1989	Gempel et al.	D12/191
D. 343,158	1/1994	Thomas, Jr. et al.	D12/191

D. 348,295	6/1994	Artman	D12/191
D. 360,176	7/1995	Onopa	D12/191
D. 362,422	9/1995	Stanesic	D12/191
D. 375,475	11/1996	Smiarowski	D12/191
D. 384,019	9/1997	Meryman et al.	D12/191
D. 388,755	1/1998	Hellhake et al.	D12/191
D. 403,999	1/1999	Lund	D12/191

Primary Examiner—Doris V. Coles
Assistant Examiner—Stacia Sinuik
Attorney, Agent, or Firm—Jeffrey P. Calfa; Dennis K. Sullivan

[57] CLAIM

The ornamental design for a sunshade of a truck cab, as shown and described.

DESCRIPTION

FIG. 1 is a left, front perspective view of a sunshade of a truck cab shown installed on a truck cab showing our new design, it being understood that the broken lines on all figures are for illustrative purposes only and form no part of the claimed design;

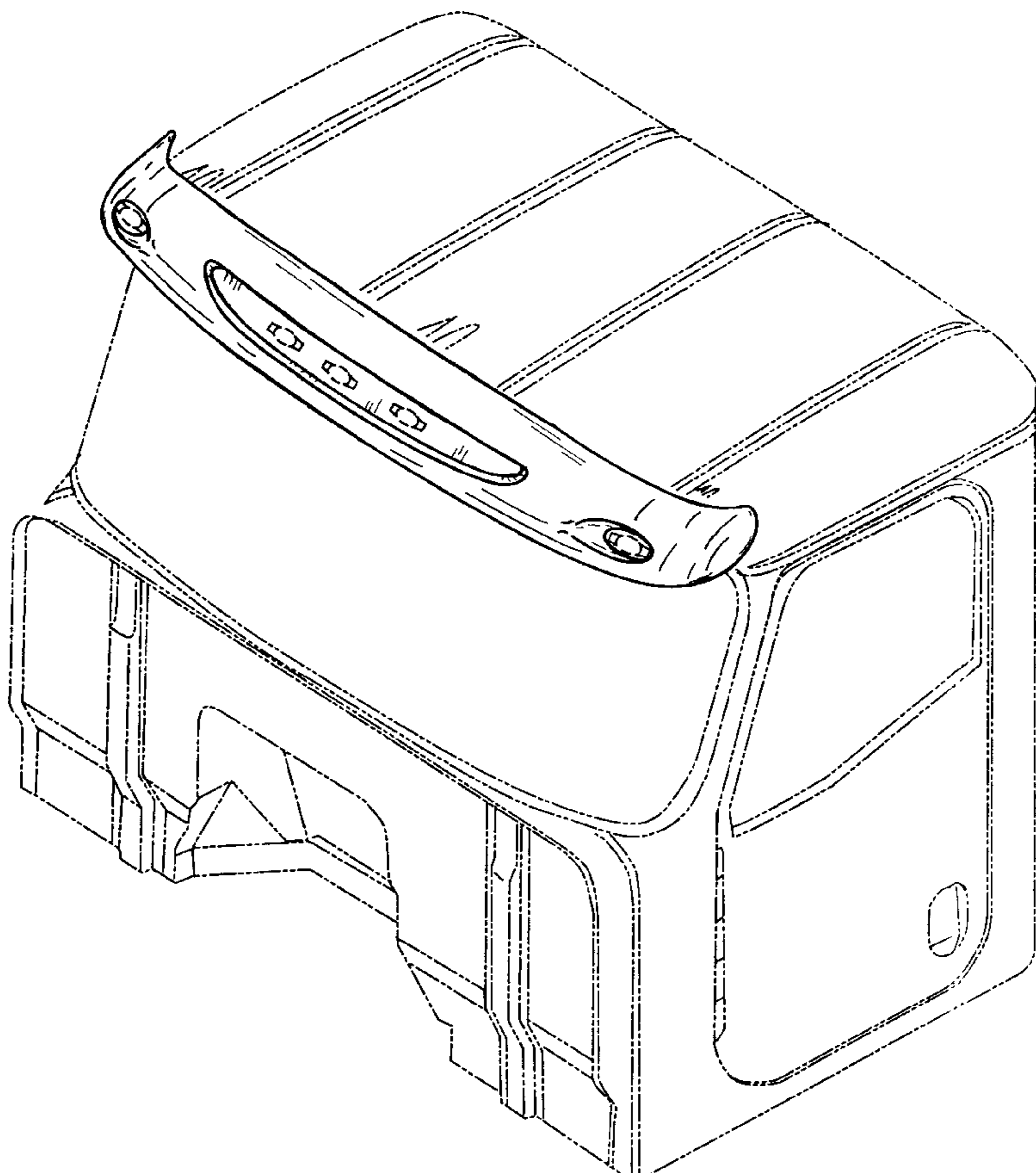
FIG. 2 is an enlarged top view thereof;

FIG. 3 is an enlarged front view thereof;

FIG. 4 is an enlarged left side view thereof; and,

FIG. 5 is an enlarged right side view thereof.

1 Claim, 2 Drawing Sheets



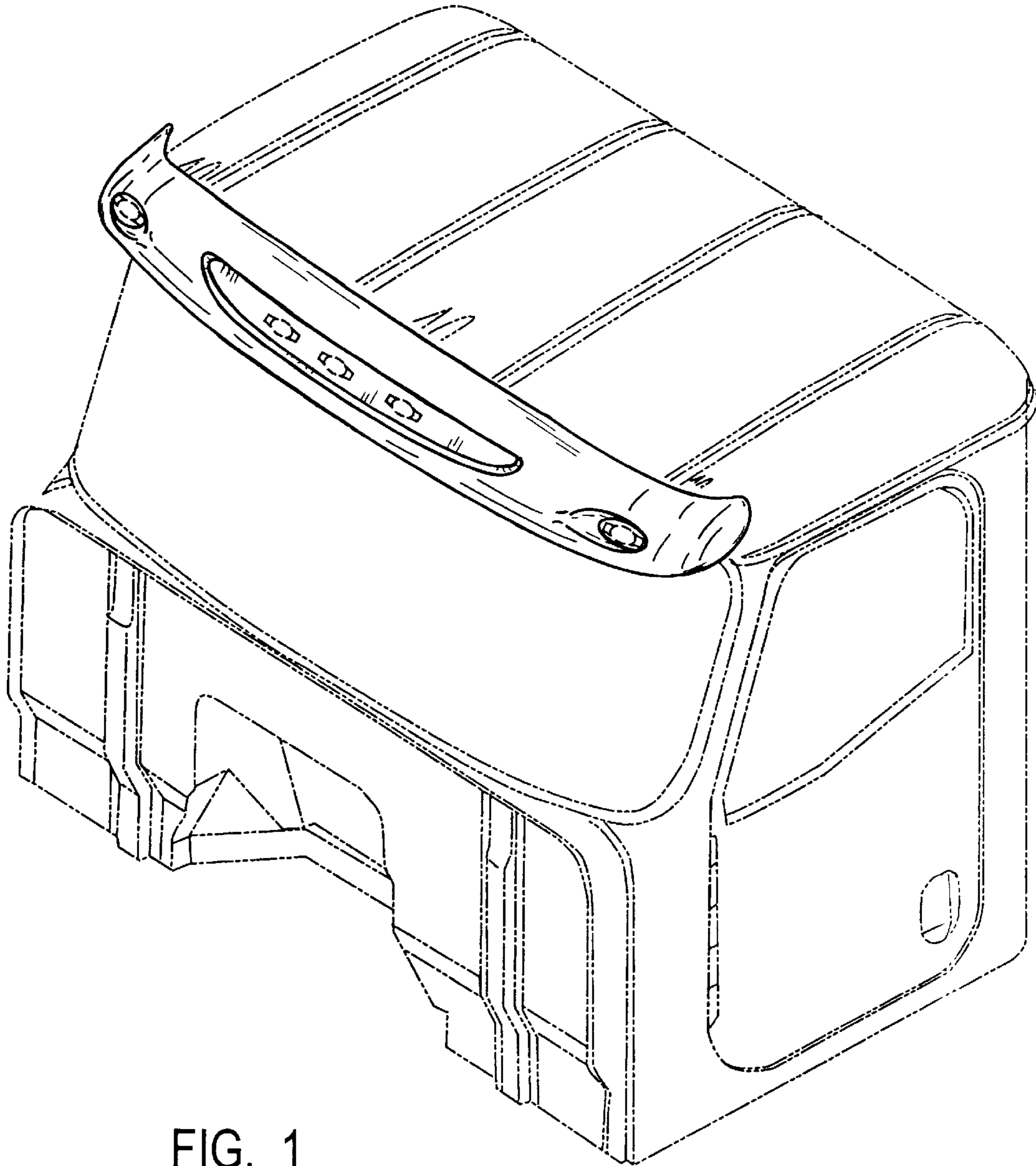


FIG. 1

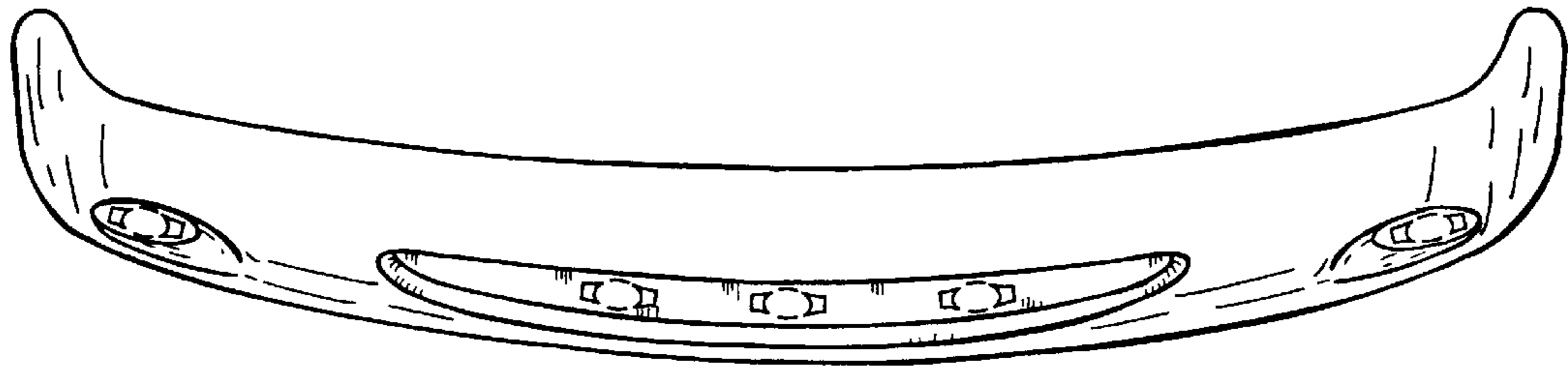


FIG. 2

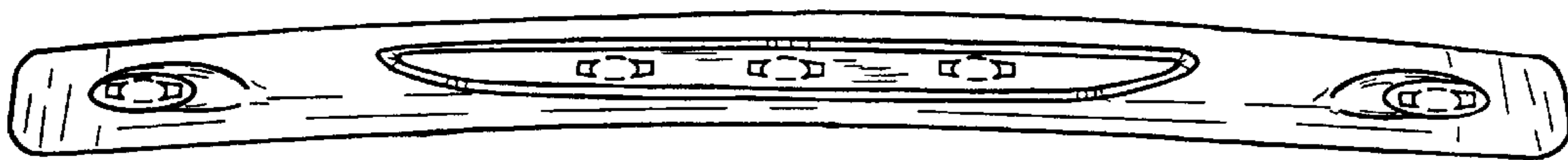


FIG. 3



FIG. 4



FIG. 5