



US00D414143S

United States Patent [19]
Brotherston

[11] **Patent Number: Des. 414,143**

[45] **Date of Patent: ** Sep. 21, 1999**

[54] **HEALTH CARE CHAIR**

[75] Inventor: **Ian Brotherston**, Listowel, Canada

[73] Assignee: **Broda Enterprises Inc.**, Waterloo, Canada

[**] Term: **14 Years**

[21] Appl. No.: **29/095,929**

[22] Filed: **Nov. 2, 1998**

[51] **LOC (6) Cl.** **12-12**

[52] **U.S. Cl.** **D12/128; D12/131; D6/335**

[58] **Field of Search** **D12/128-133;**
D6/335, 336, 367, 370; 297/30, 68, 377;
280/250.1

[56] **References Cited**

U.S. PATENT DOCUMENTS

D. 279,240 6/1985 Jernigan D6/361

D. 315,123 3/1991 Spiegel et al. D12/131
D. 364,971 12/1995 Sterlacci D6/367
D. 374,128 10/1996 Yoder, Jr. D6/361
D. 390,368 2/1998 Tseng D6/361

Primary Examiner—Kay H. Chin

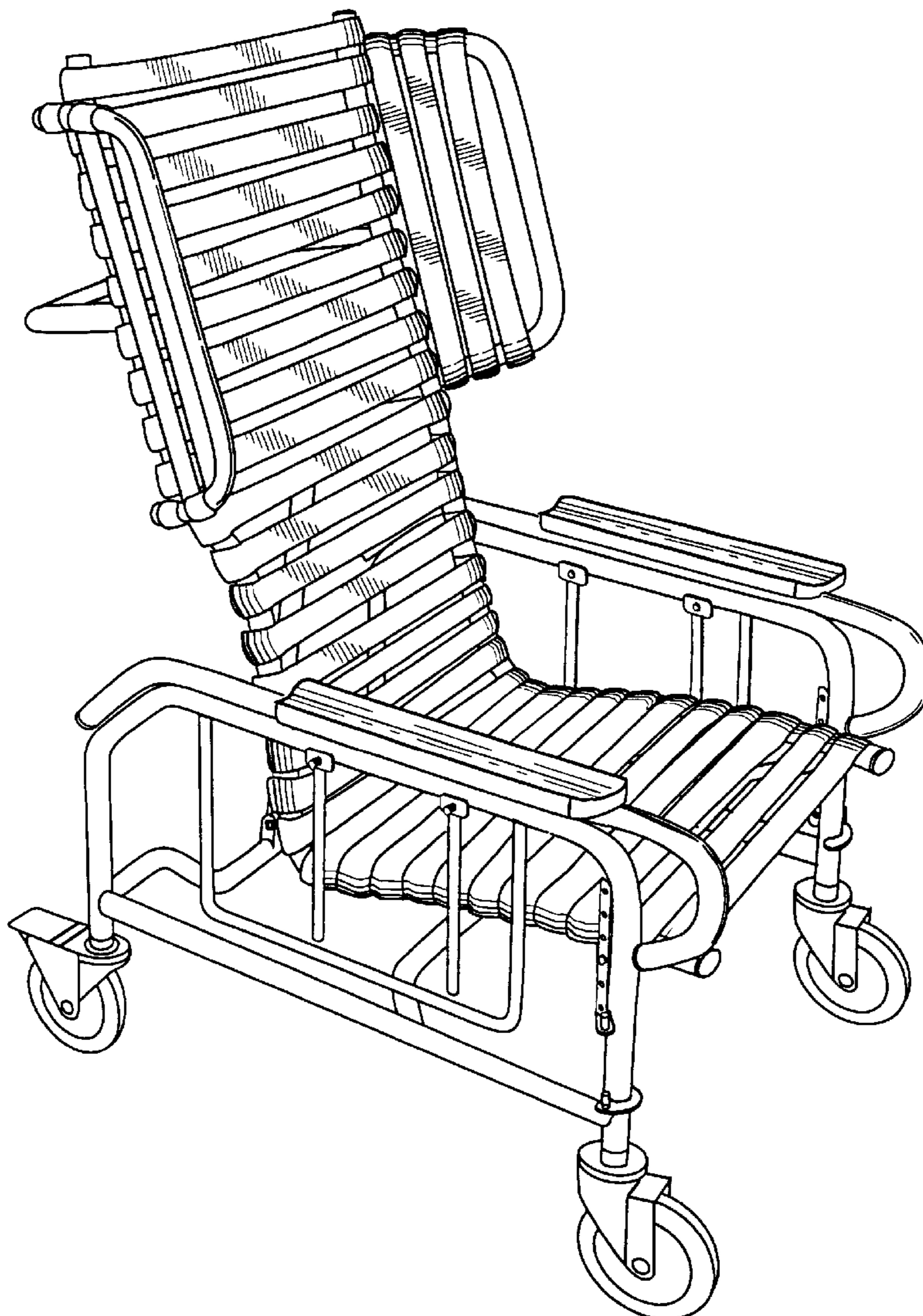
[57] **CLAIM**

The ornamental design for a health care chair, as shown and described.

DESCRIPTION

FIG. 1 is a top perspective view of a health care chair showing my new design;
FIG. 2 is top plan view thereof;
FIG. 3 is a right side elevational view thereof;
FIG. 4 is a left side elevational view thereof;
FIG. 5 is a bottom plan view thereof;
FIG. 6 is a front elevational view thereof; and,
FIG. 7 is a rear elevational view thereof.

1 Claim, 4 Drawing Sheets



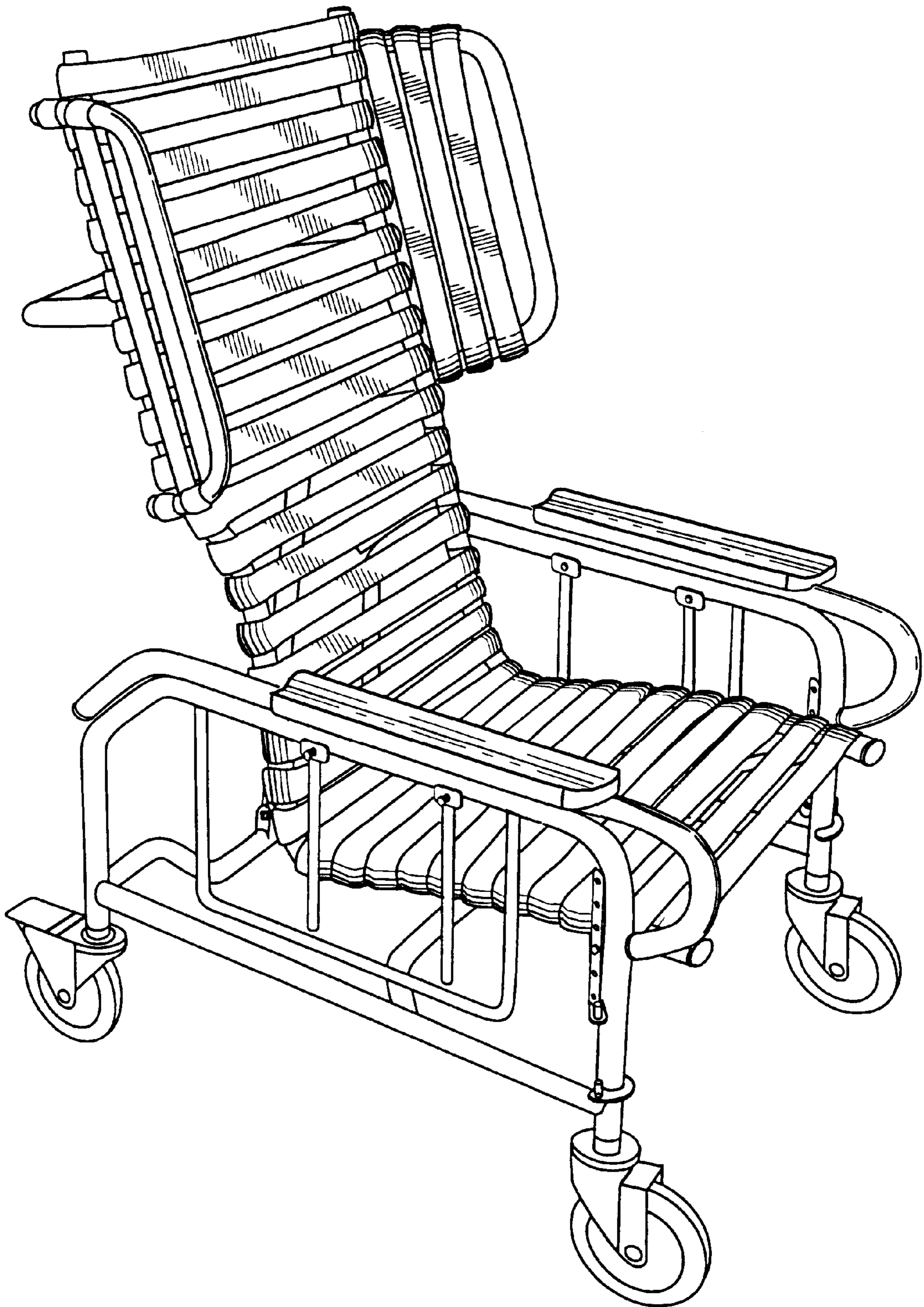


FIG. 1

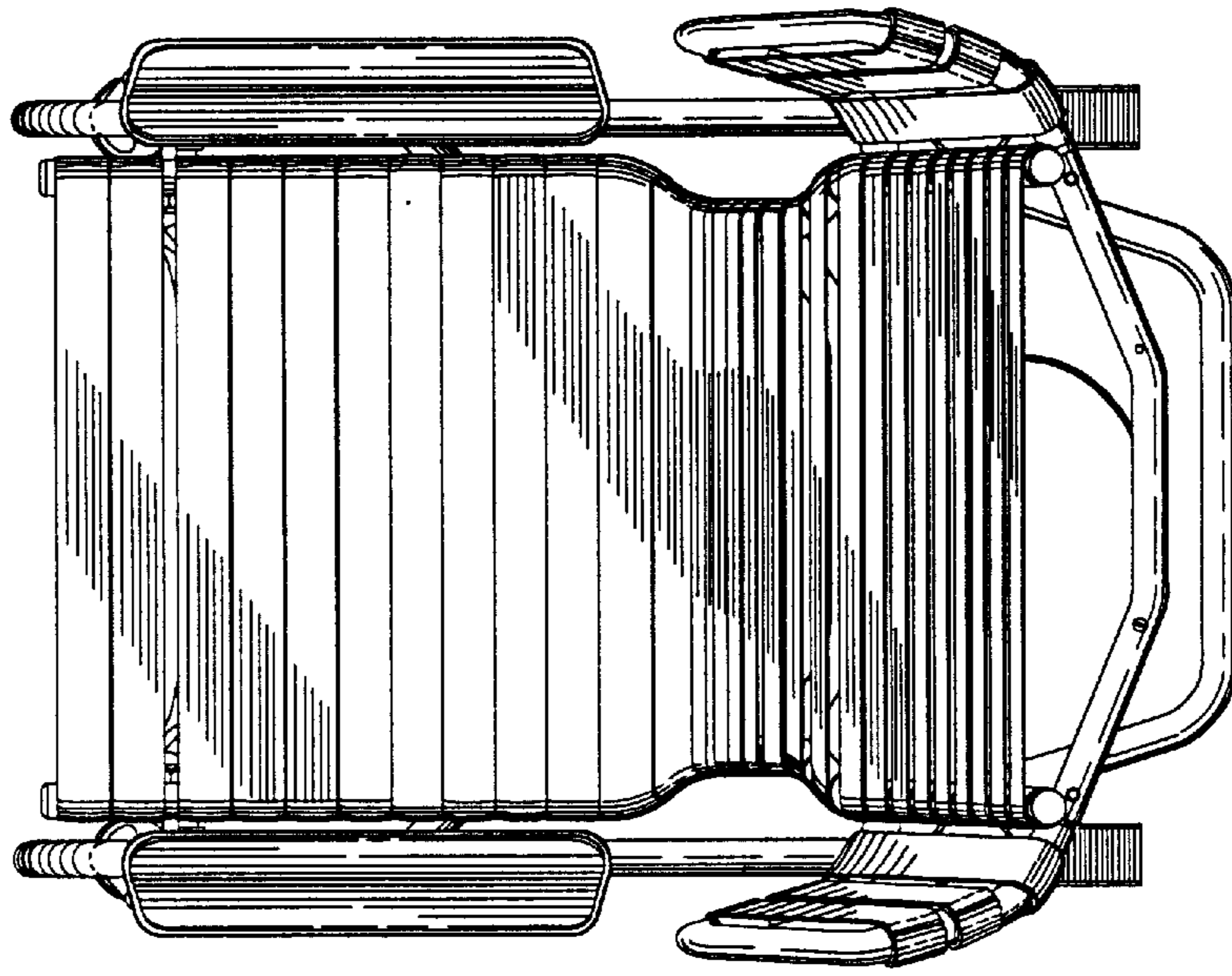


FIG. 2

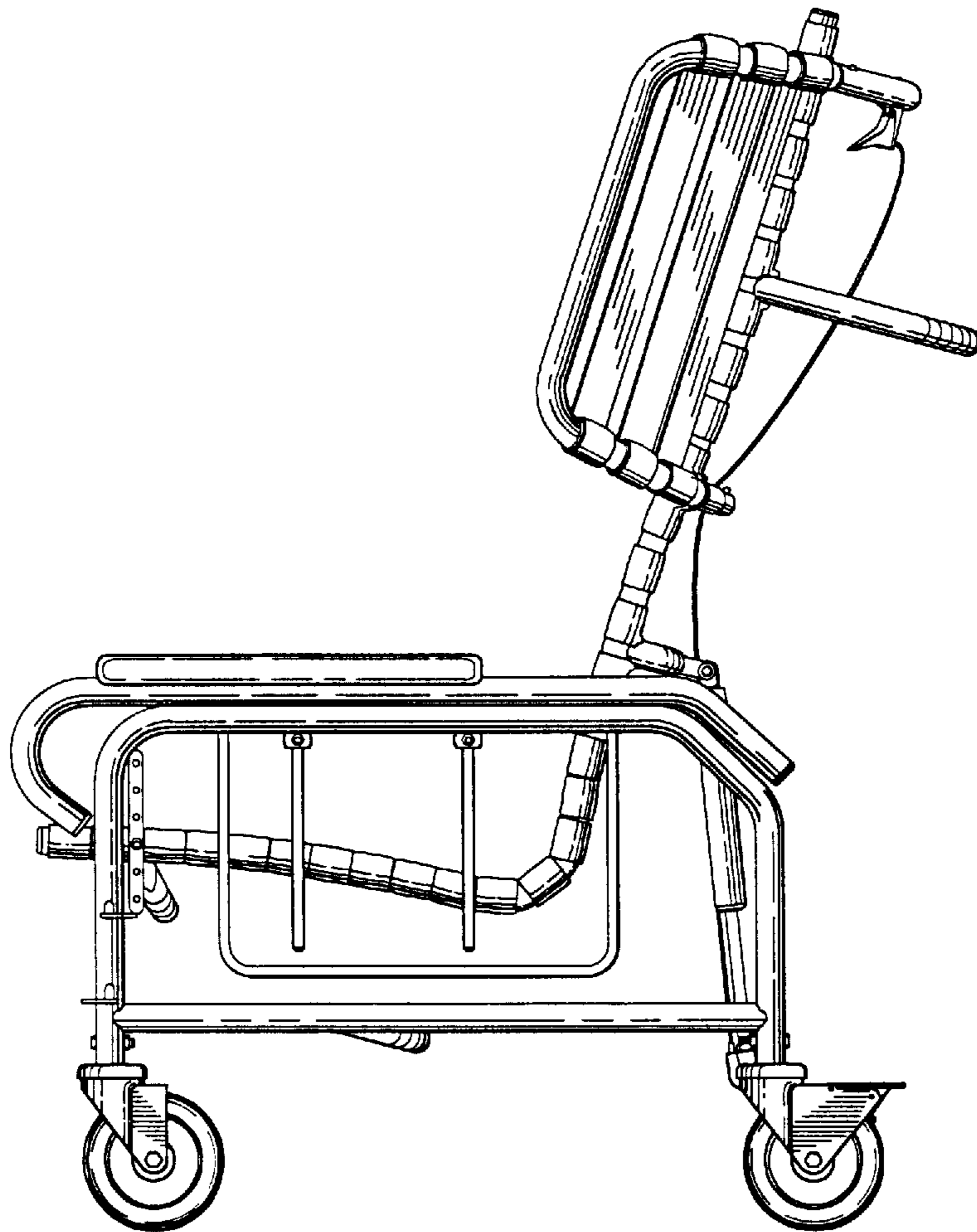


FIG. 3

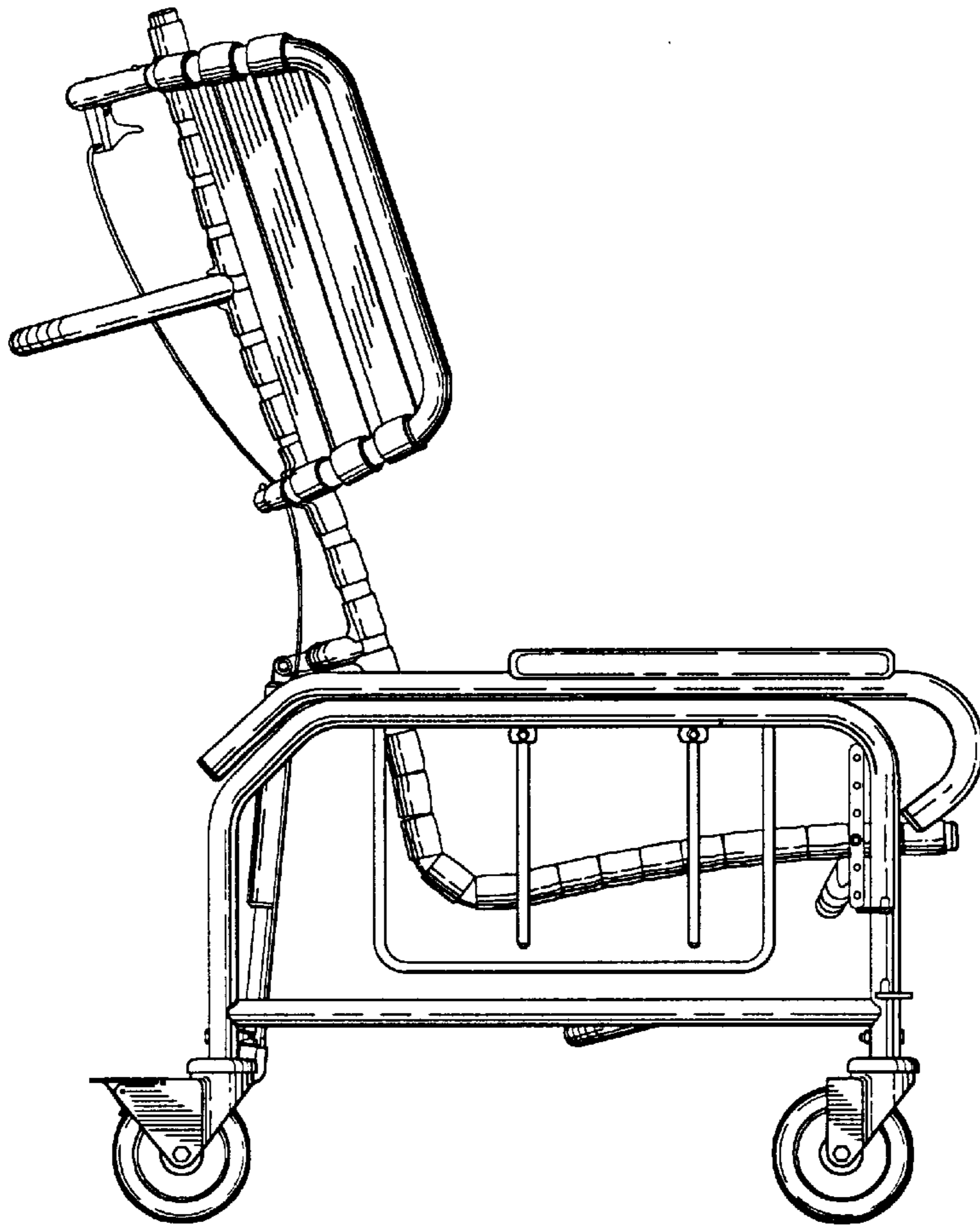


FIG. 4

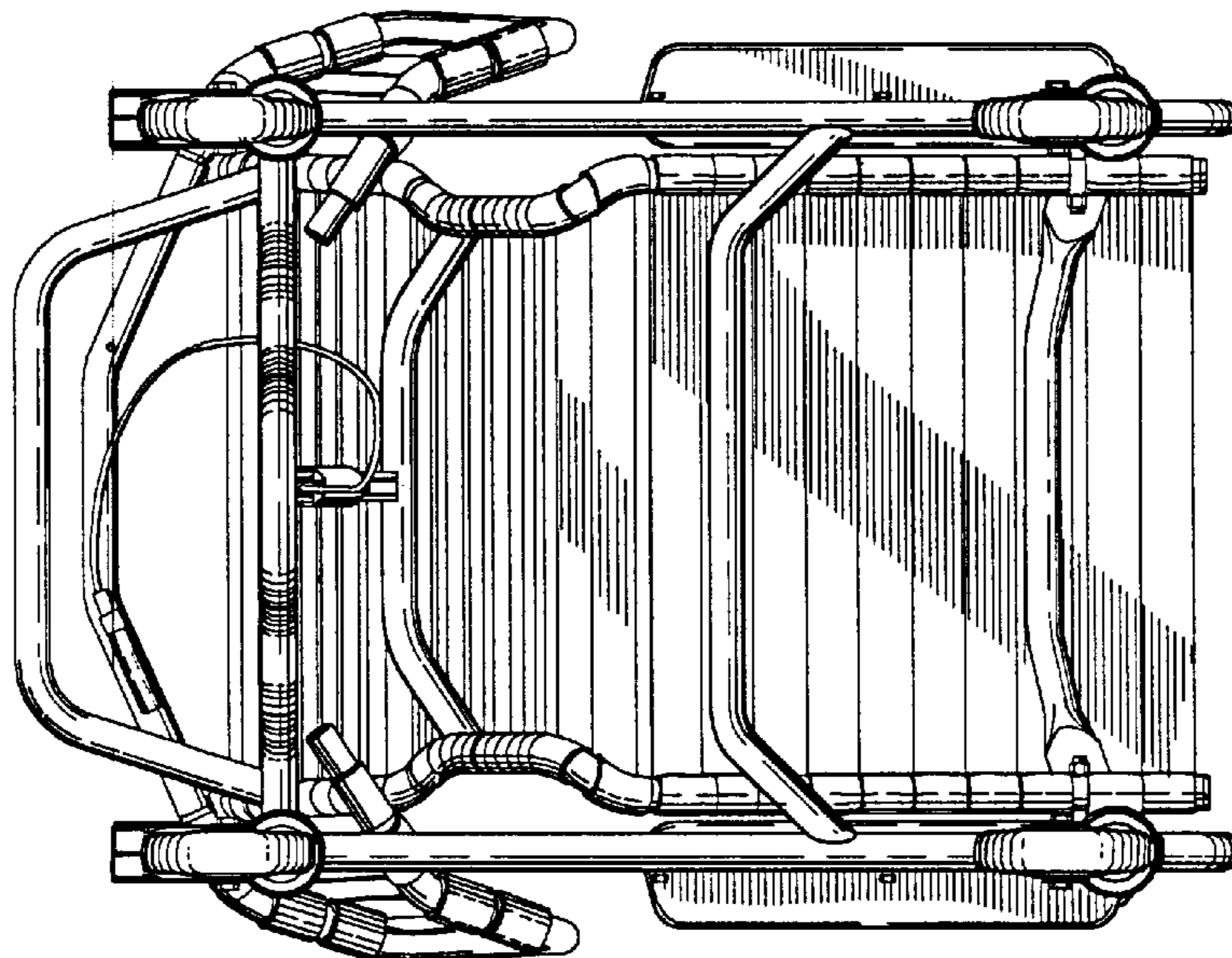


FIG. 5

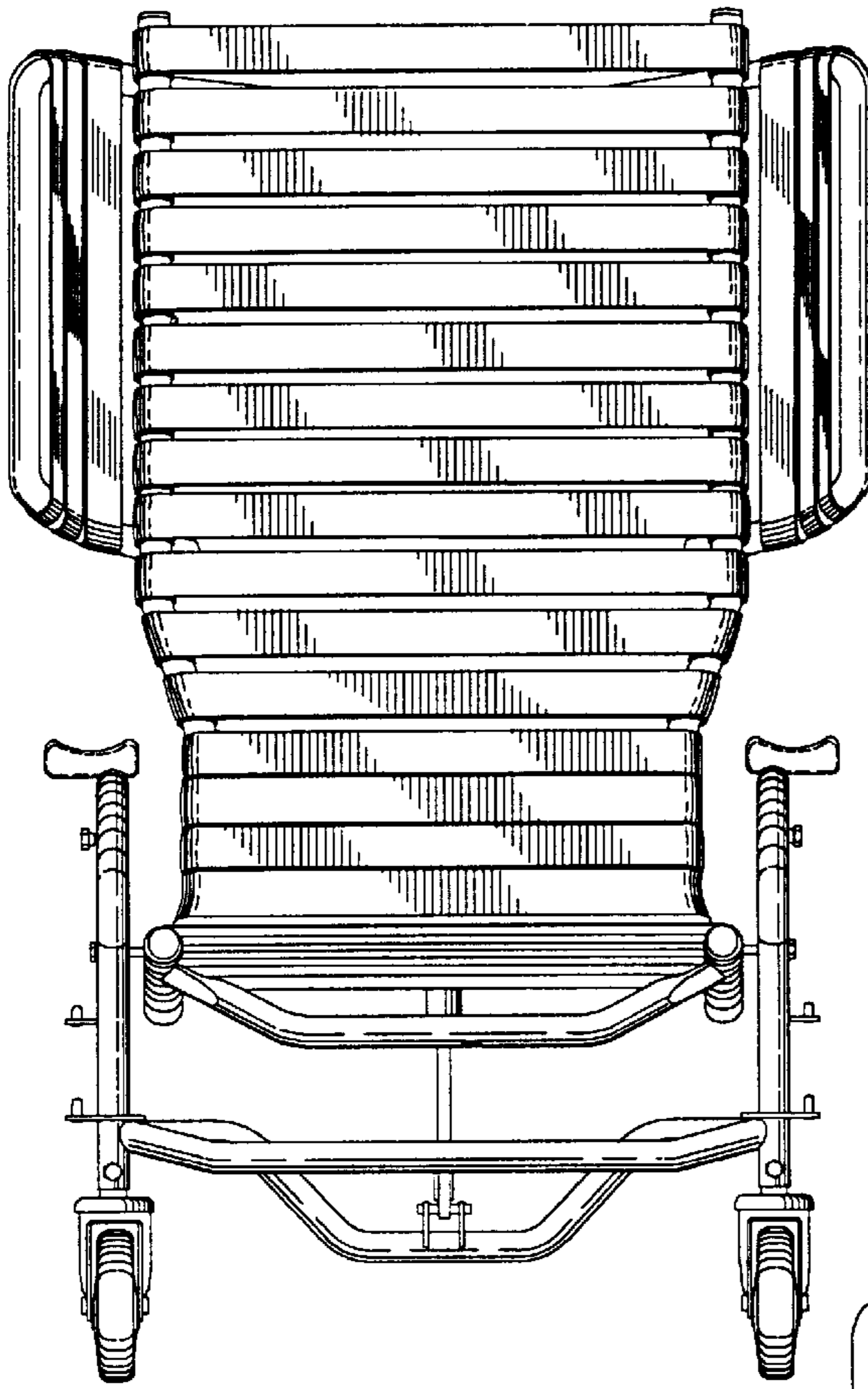


FIG. 6

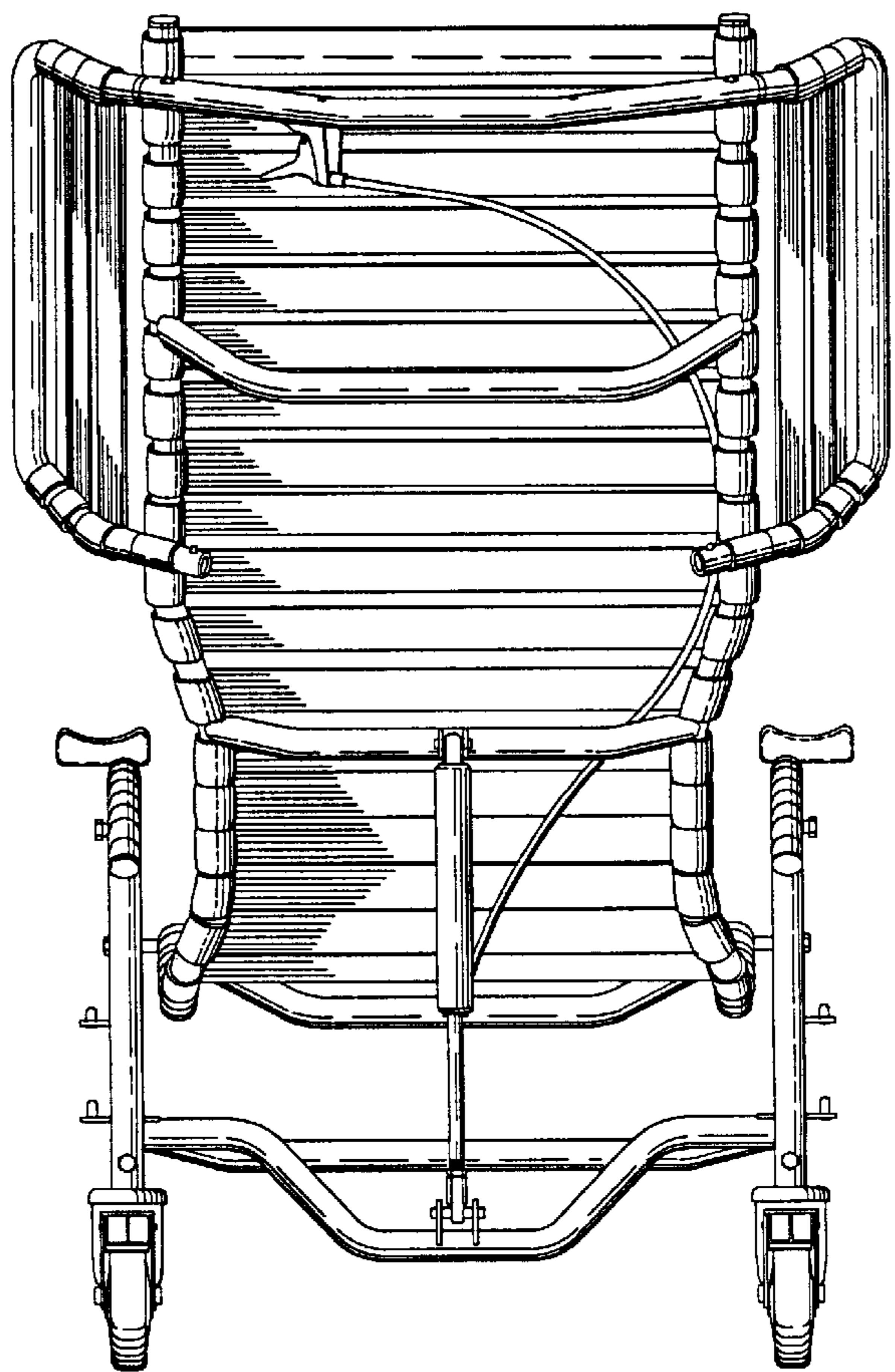


FIG. 7