



US00D414141S

United States Patent [19]
Tsai

[11] **Patent Number: Des. 414,141**

[45] **Date of Patent: ** Sep. 21, 1999**

[54] **FRONT FORK OF A BICYCLE**

5,562,297 10/1996 Lin 280/276
5,833,259 11/1998 Stewart 280/276

[76] Inventor: **Chin-Sung Tsai**, No. 2, Lane 371, Hwa Cheng Rd., Hsin Chuang City, Taipei Hsien, Taiwan

Primary Examiner—Pamela Burgess
Attorney, Agent, or Firm—Kirkpatrick & Lockhart LLP

[**] Term: **14 Years**

[57] **CLAIM**

The ornamental design for a front fork of a bicycle.

[21] Appl. No.: **29/098,616**

DESCRIPTION

[22] Filed: **Jan. 4, 1999**

[51] **LOC (6) Cl.** **12-11**

[52] **U.S. Cl.** **D12/118**

[58] **Field of Search** D12/118, 111;
280/275, 276, 281.1, 284, 288.1–288.3

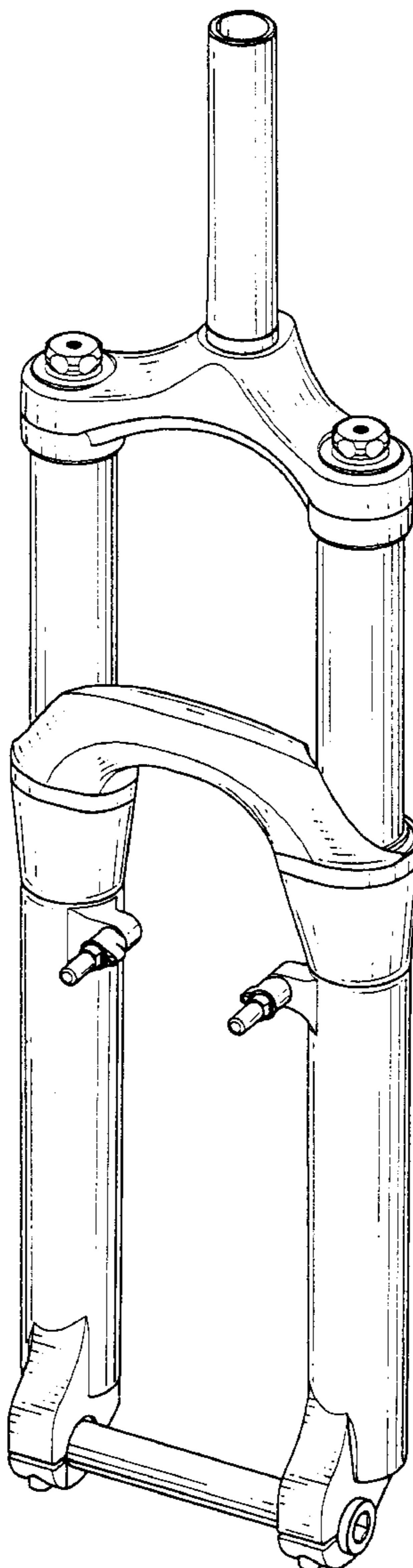
FIG. 1 is a front, right, top perspective view of a front fork of a bicycle showing my new design;
FIG. 2 is a front elevational view thereof;
FIG. 3 is a rear elevational view thereof;
FIG. 4 is a left side elevational view thereof;
FIG. 5 is a right side elevational view thereof;
FIG. 6 is a top plan view thereof; and,
FIG. 7 is a bottom plan view thereof.

[56] **References Cited**

U.S. PATENT DOCUMENTS

D. 368,054 3/1996 Behrens et al. D12/118
5,238,259 8/1993 Wilson et al. 280/276

1 Claim, 4 Drawing Sheets



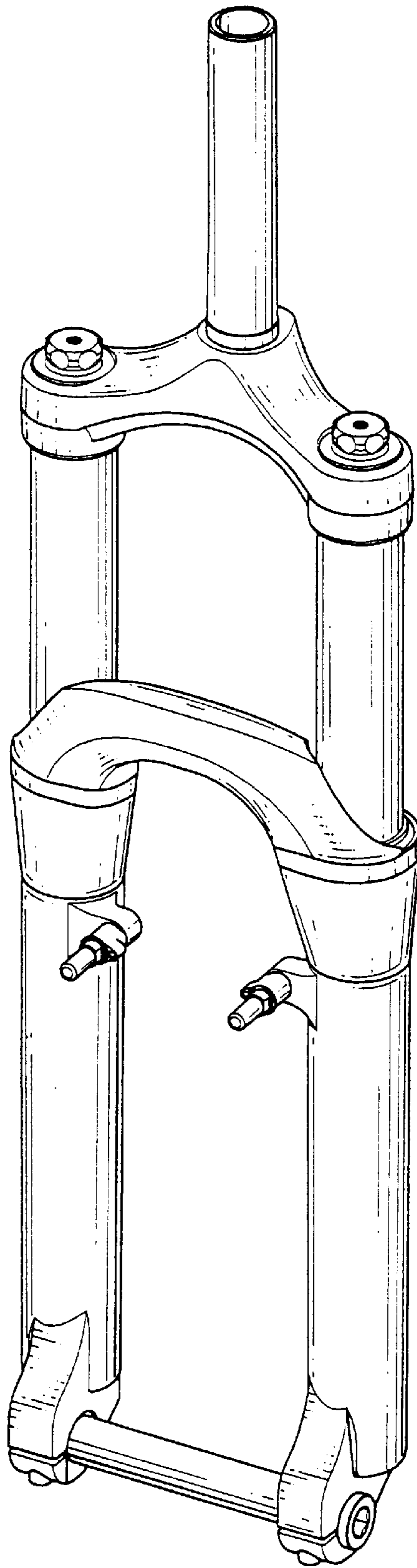


FIG. 1

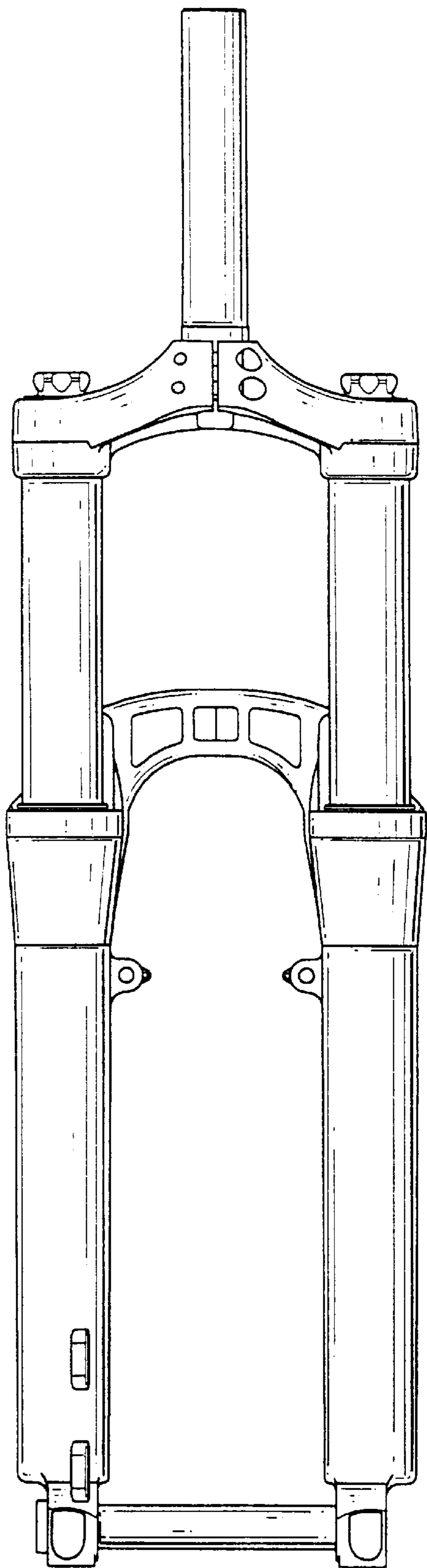


FIG. 3

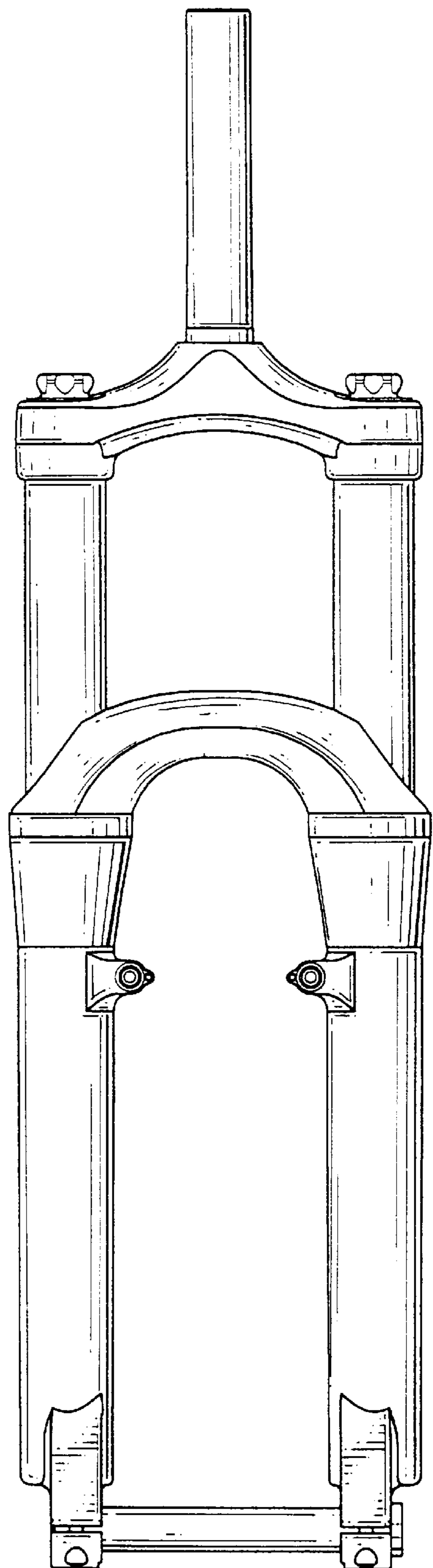


FIG. 2

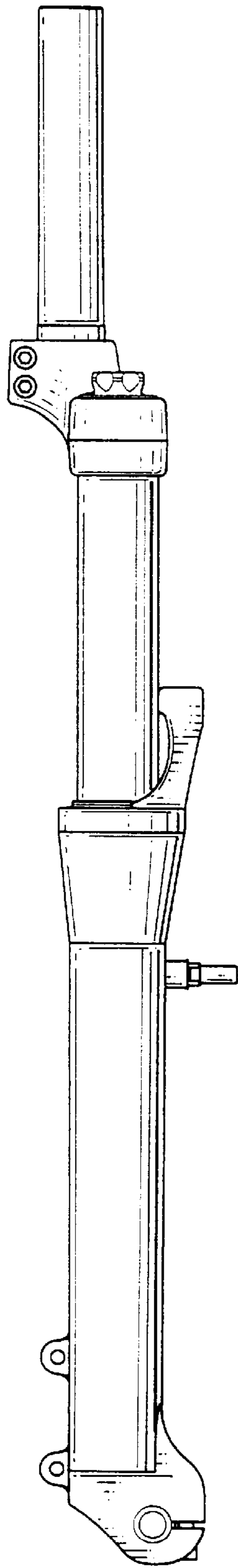


FIG. 4

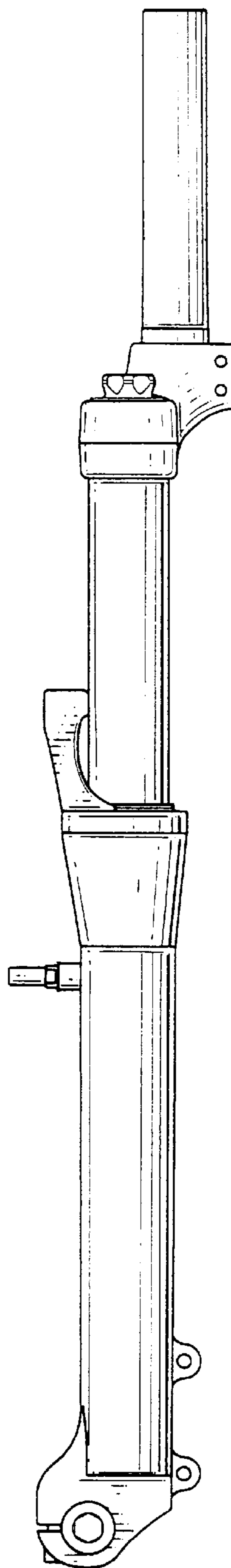


FIG. 5

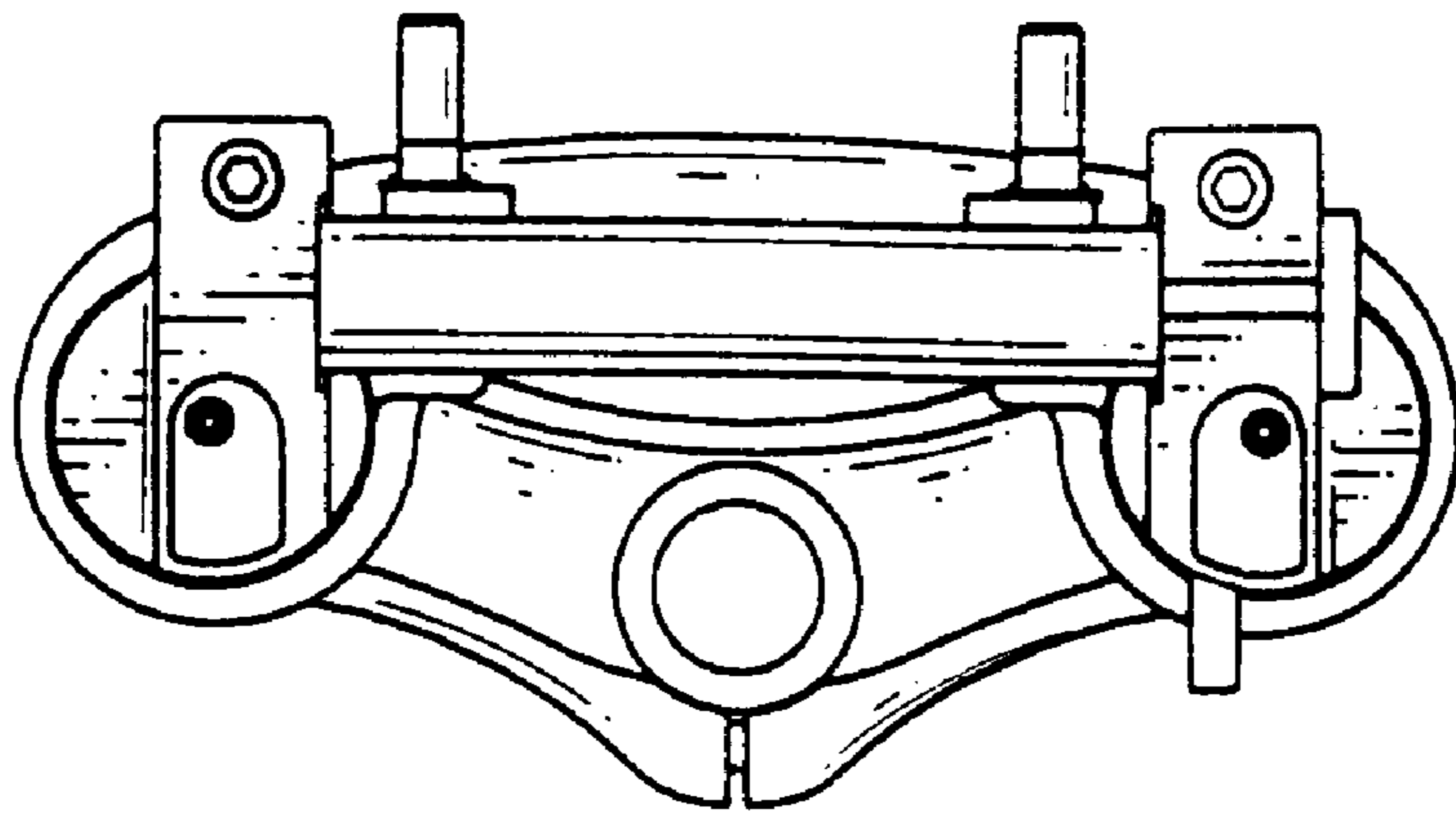


FIG. 7

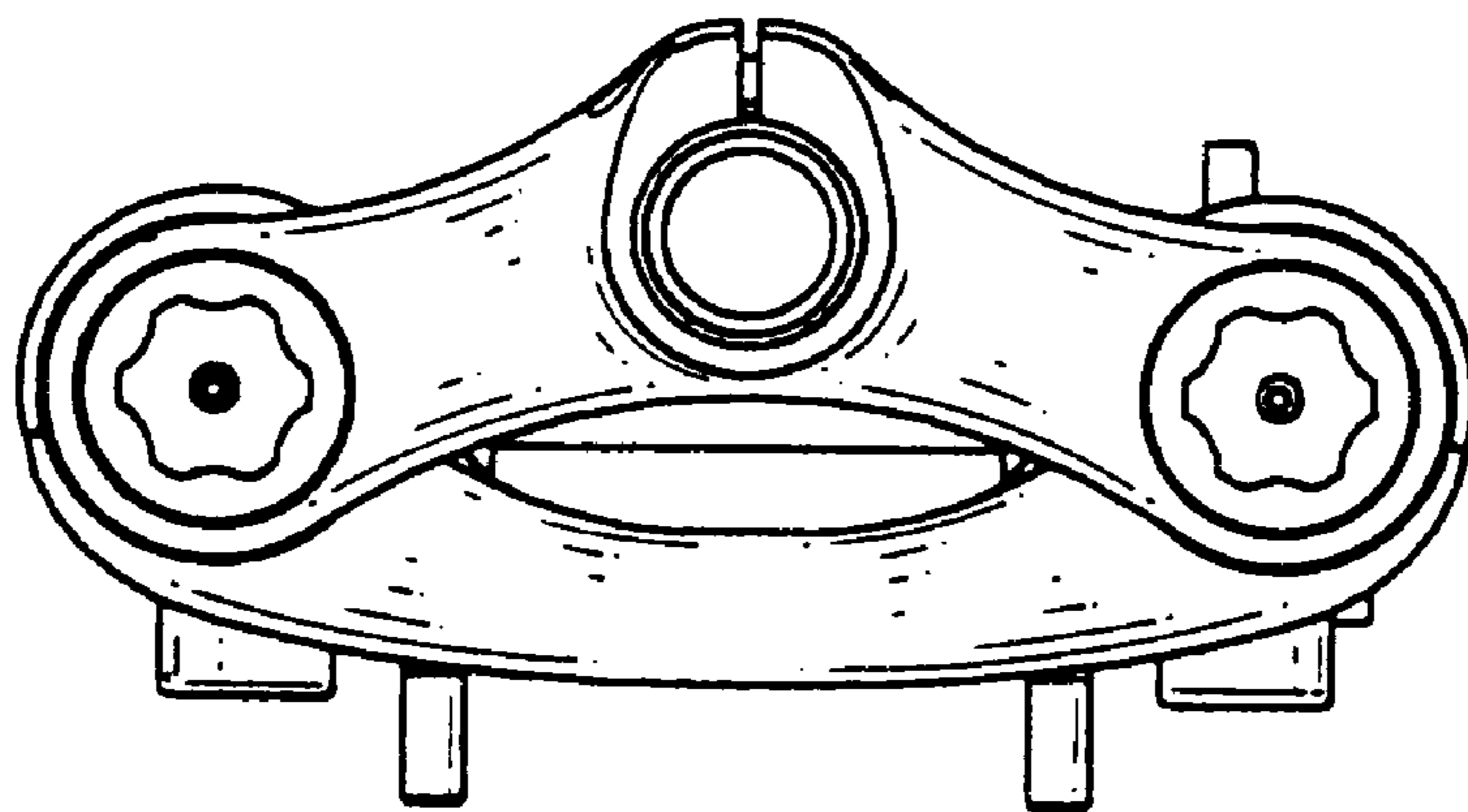


FIG. 6