



US00D414139S

United States Patent [19]

Aros et al.

[11] Patent Number: **Des. 414,139**

[45] Date of Patent: **** Sep. 21, 1999**

[54] **TRUCK BODY**

[75] Inventors: **Carlos Joaquin Aros; Sylvan S. Thronson Aros**, both of Bellflower, Calif.

[73] Assignee: **Royal Truck Bodies, Inc.**, Paramount, Calif.

[**] Term: **14 Years**

[21] Appl. No.: **29/090,724**

[22] Filed: **Jul. 15, 1998**

[51] **LOC (6) Cl.** **12-08**

[52] **U.S. Cl.** **D12/98**

[58] **Field of Search** D12/93, 96, 98, D12/14; 296/24.1, 37.6, 183, 191

[56] **References Cited**

U.S. PATENT DOCUMENTS

D. 190,416	5/1961	Powers	D12/98
D. 262,615	1/1982	Thompson	D12/181
D. 346,571	5/1994	Lewellen et al.	D12/98
D. 351,817	10/1994	Lewellen et al.	D12/98
D. 373,979	9/1996	Starr et al.	D12/98

D. 382,232	8/1997	Hines et al.	D12/98
D. 385,224	10/1997	Aros et al.	D12/98
D. 407,044	3/1999	Aros et al.	D12/98
D. 407,045	3/1999	Aros et al.	D12/98
D. 407,046	3/1999	Aros et al.	D12/98
3,596,976	8/1971	Eitel	296/24.1
4,126,349	11/1978	Nelson et al.	296/24.1
4,685,695	8/1987	Levee	280/423

Primary Examiner—Melody N. Brown
Attorney, Agent, or Firm—Oppenheimer Wolff & Donnelly LLP

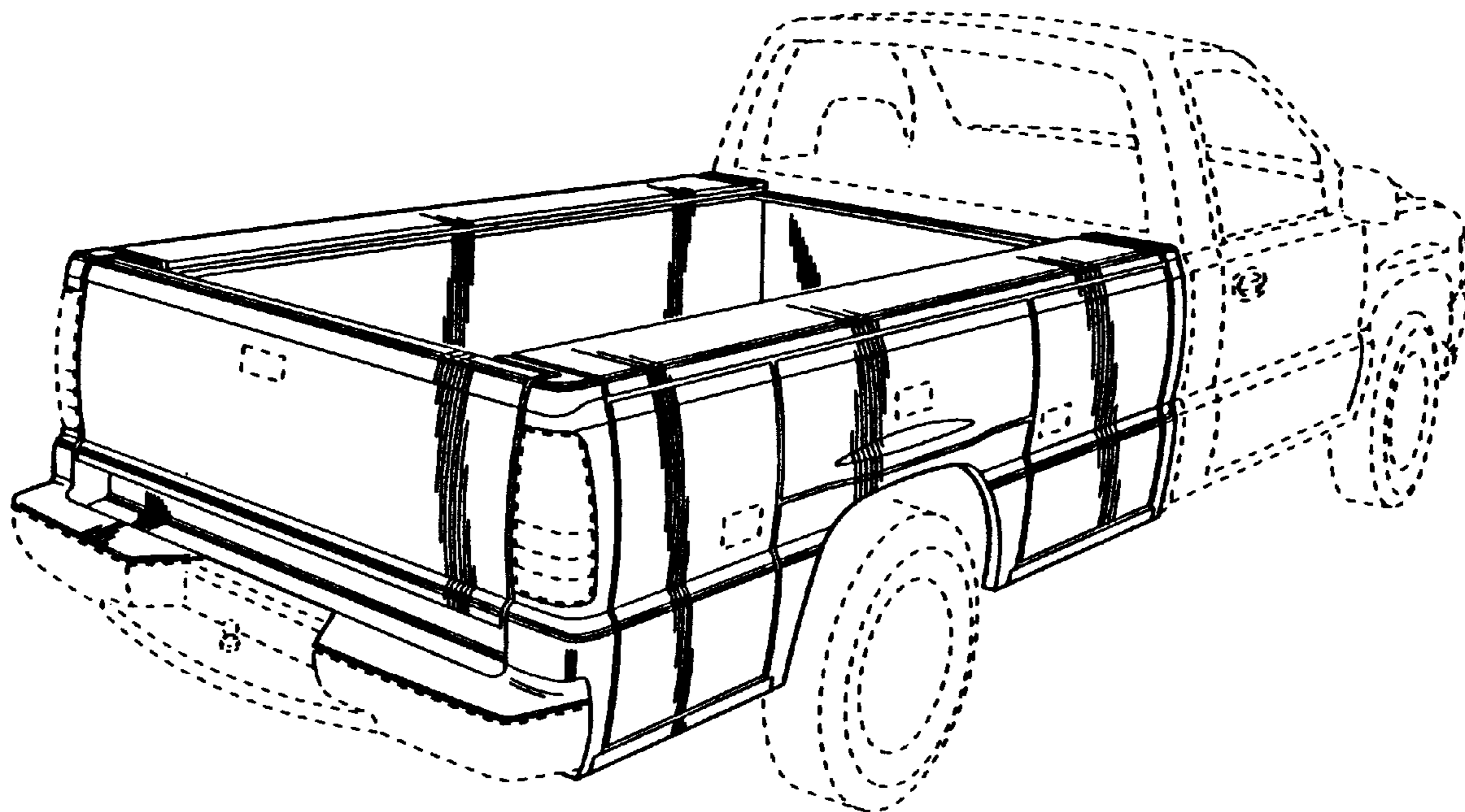
[57] **CLAIM**

The ornamental design for truck body, as shown.

DESCRIPTION

FIG. 1 is a rear perspective view of a truck body showing our new design;
FIG. 2 is a side elevational view thereof;
FIG. 3 is an perspective view of the truck body of FIGS. 1 and 2 showing the other side thereof;
FIG. 4 is an end view thereof; and,
FIG. 5 is a top plan view thereof.
The truck portions shown in broken lines are for illustrative purposes only and form no part of the claimed design.

1 Claim, 5 Drawing Sheets



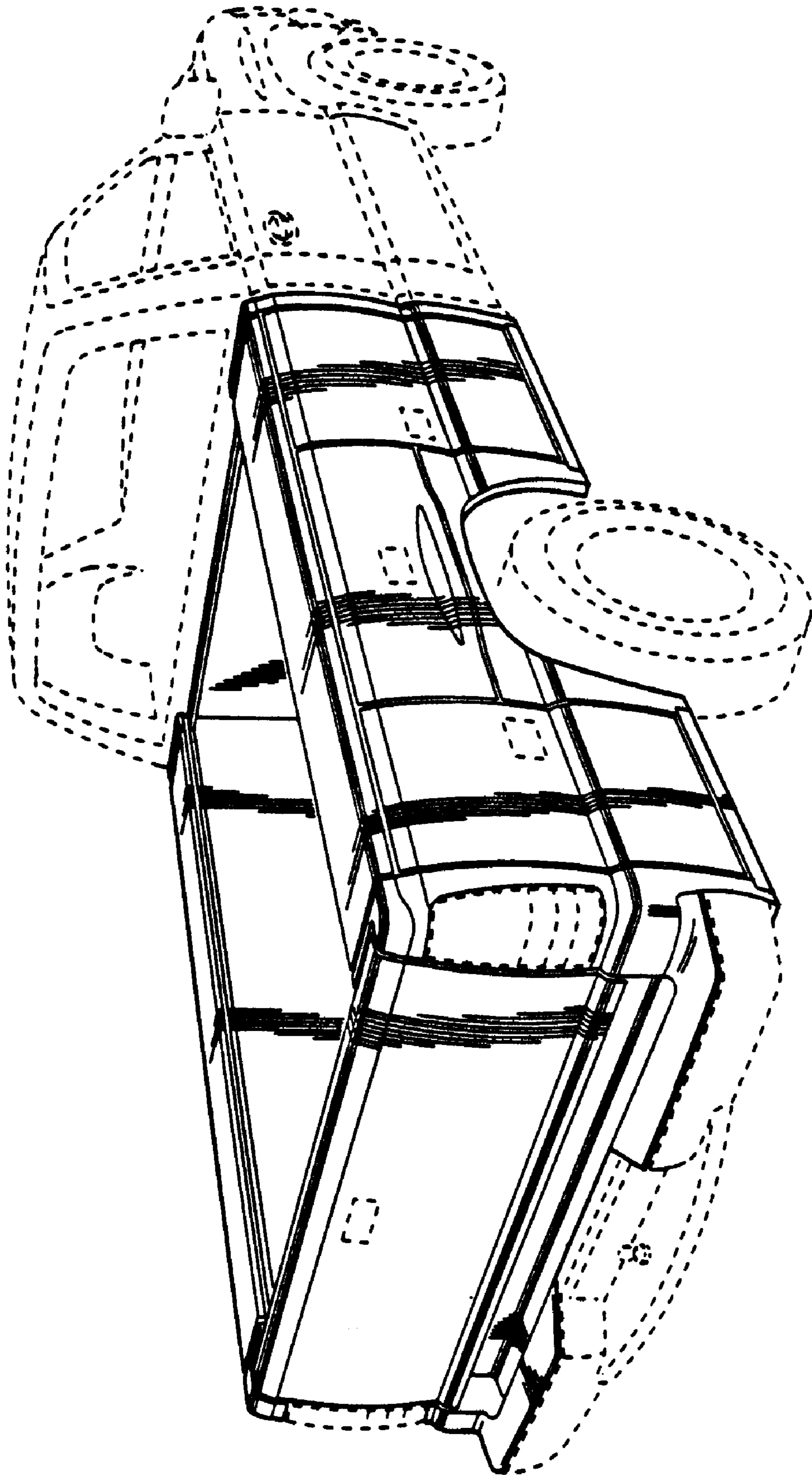


FIGURE 1

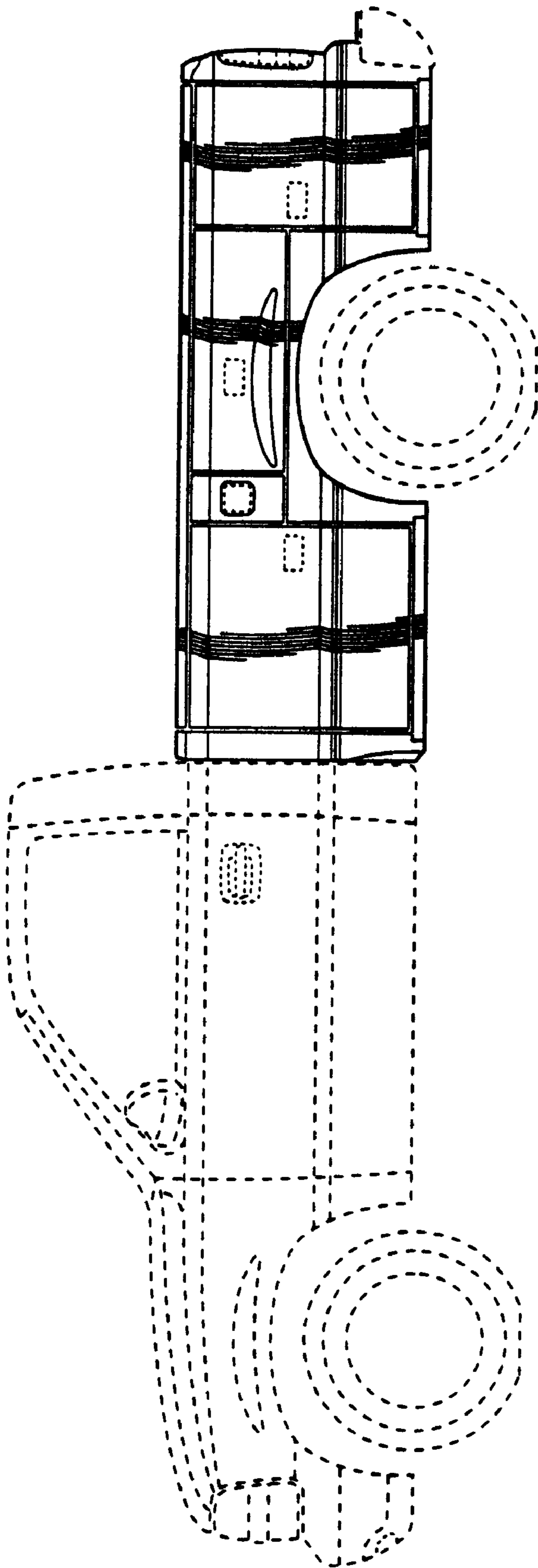


FIGURE 2

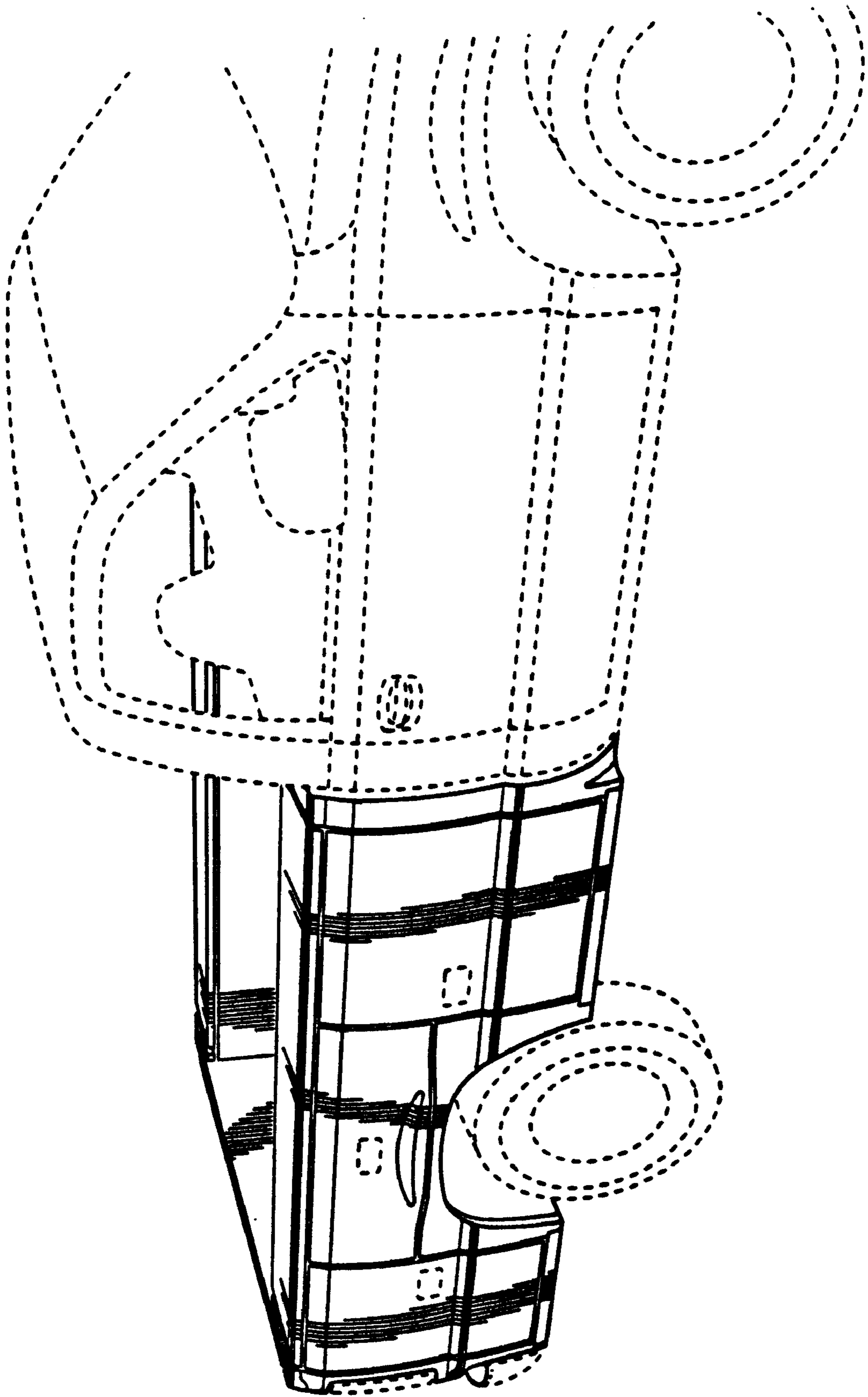


FIGURE 3

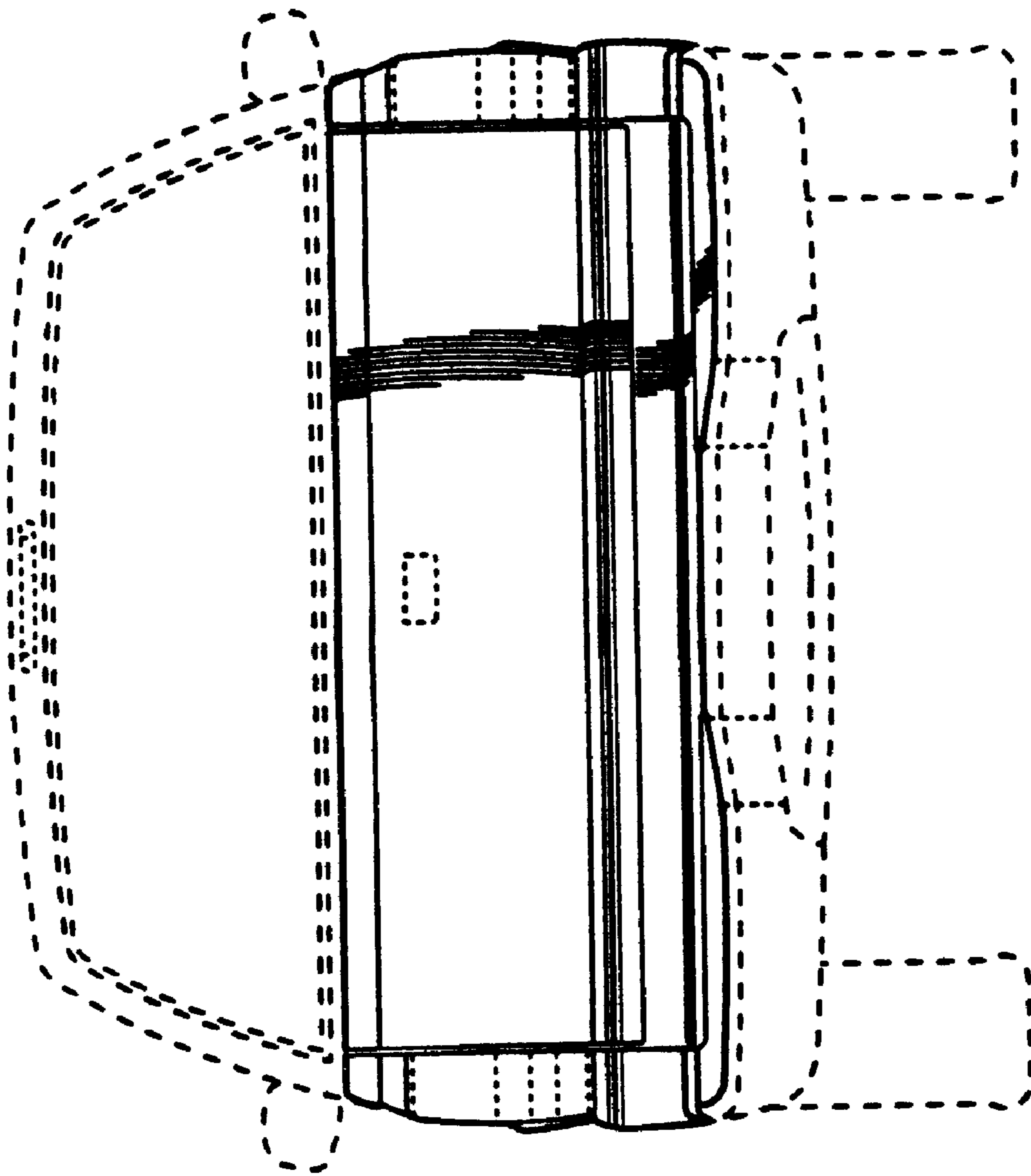


FIGURE 4

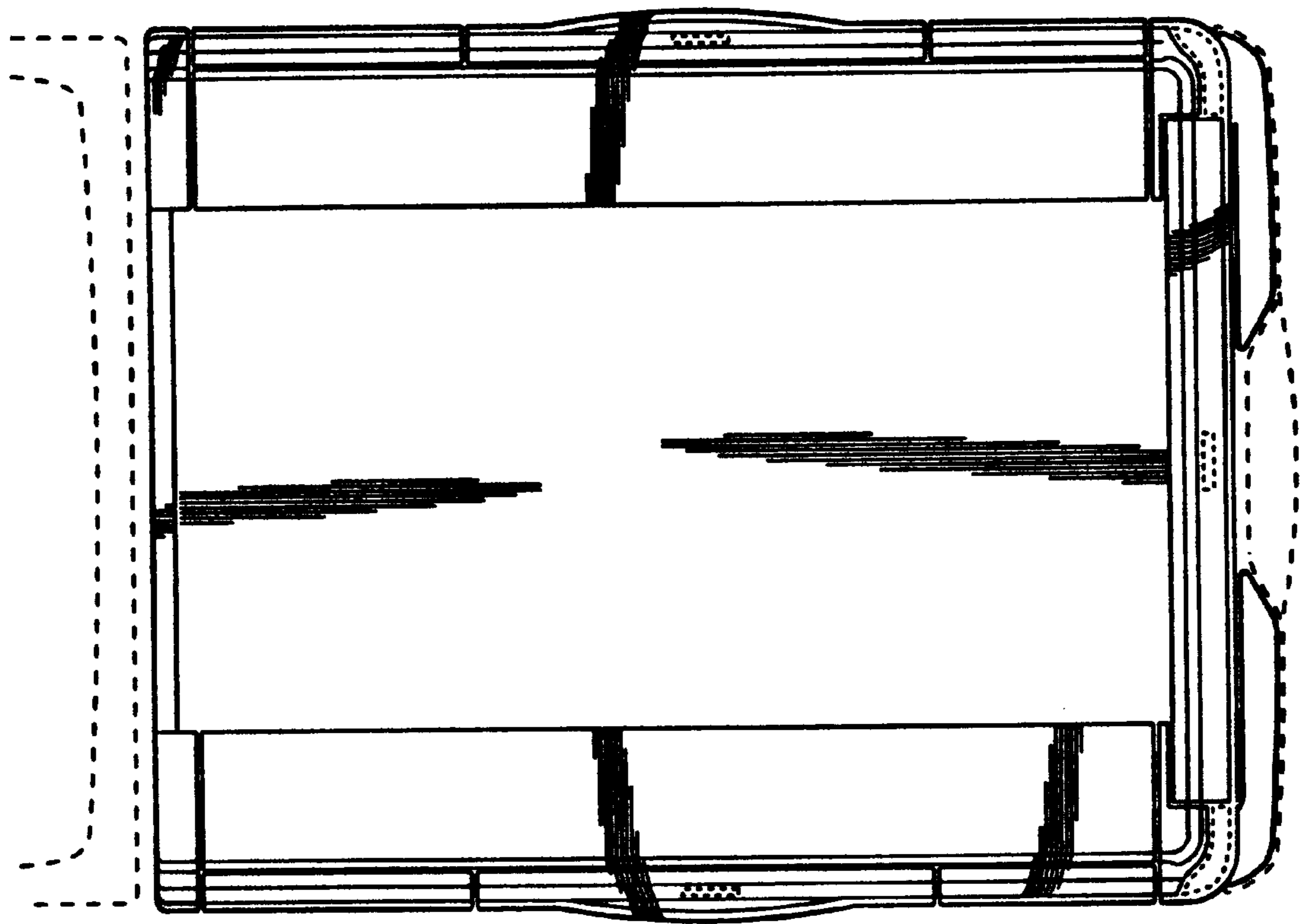


FIGURE 5