



US00D414137S

United States Patent [19]

Aros et al.

[11] Patent Number: Des. 414,137

[45] Date of Patent: ** Sep. 21, 1999

[54] TRUCK BODY

[75] Inventors: Carlos Joaquin Aros; Sylvan S. Thronson Aros, both of Bellflower, Calif.

[73] Assignee: Royal Truck Bodies, Inc., Paramount, Calif.

[**] Term: 14 Years

[21] Appl. No.: 29/070,905

[22] Filed: Apr. 29, 1997

Related U.S. Application Data

[62] Division of application No. 29/055,687, Jun. 11, 1996.

[51] LOC (6) Cl. 12-08

[52] U.S. Cl. D12/98

[58] Field of Search D12/98, 96, 14; 296/24.1, 37.6, 183

[56] References Cited

U.S. PATENT DOCUMENTS

- D. 192,416 5/1962 Powers D12/96
- D. 346,517 5/1994 Lewellen et al. D12/98
- D. 351,817 10/1994 Lewellen et al. D12/98

- D. 382,232 8/1997 Hines et al. D12/98
- D. 382,834 8/1997 Perlman et al. D12/98
- 3,596,976 8/1971 Eitel 296/24.1
- 4,126,349 11/1978 Nelson et al. 296/24.1
- 4,628,695 12/1986 Le Vee 296/24.1

Primary Examiner—Melody N. Brown
Attorney, Agent, or Firm—Oppenheimer Poms Smith

[57] CLAIM

The ornamental design for a truck body, as shown and described.

DESCRIPTION

FIG. 1 is a rear perspective view of a truck body showing our new design;

FIG. 2 is a front perspective view thereof;

FIG. 3 is a side elevational view thereof, the opposite side being a mirror image of that shown;

FIG. 4 is a front plan view thereof;

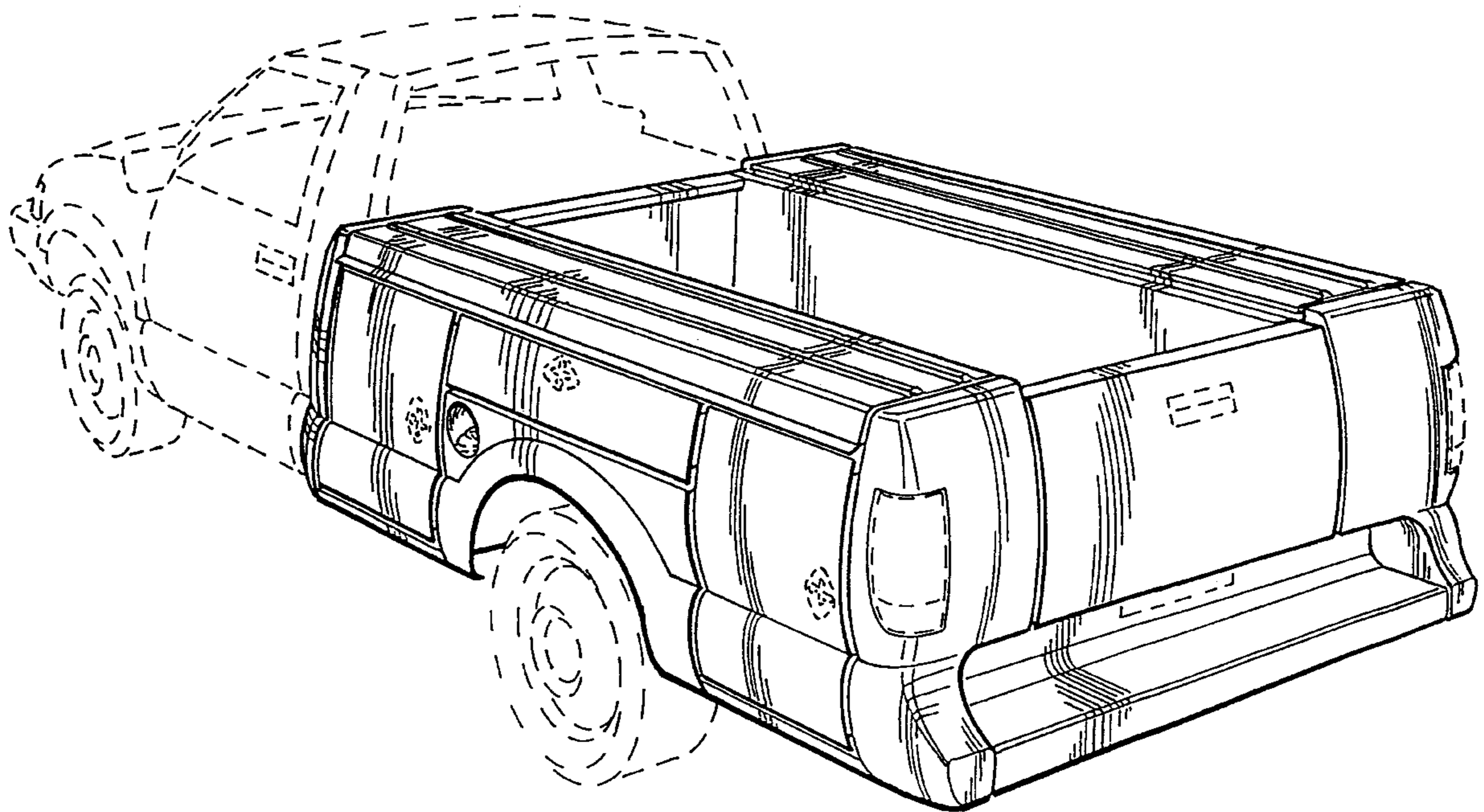
FIG. 5 is a front elevational view thereof;

FIG. 6 is a bottom plan view thereof; and,

FIG. 7 is a top plan view thereof.

The broken lines shown in all views of the drawing are for illustrative purposes only and form no part of the claimed design.

1 Claim, 5 Drawing Sheets



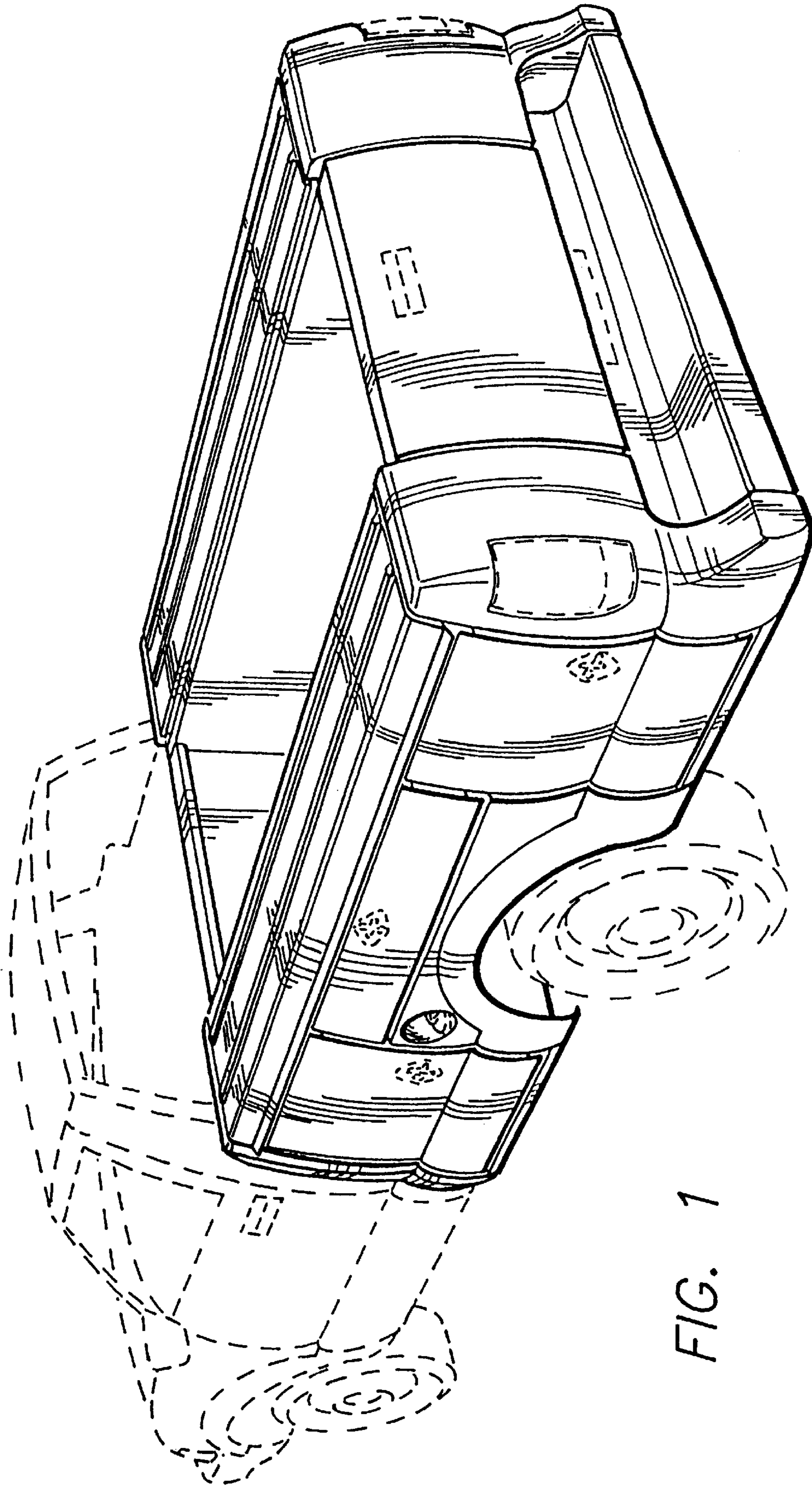


FIG. 1

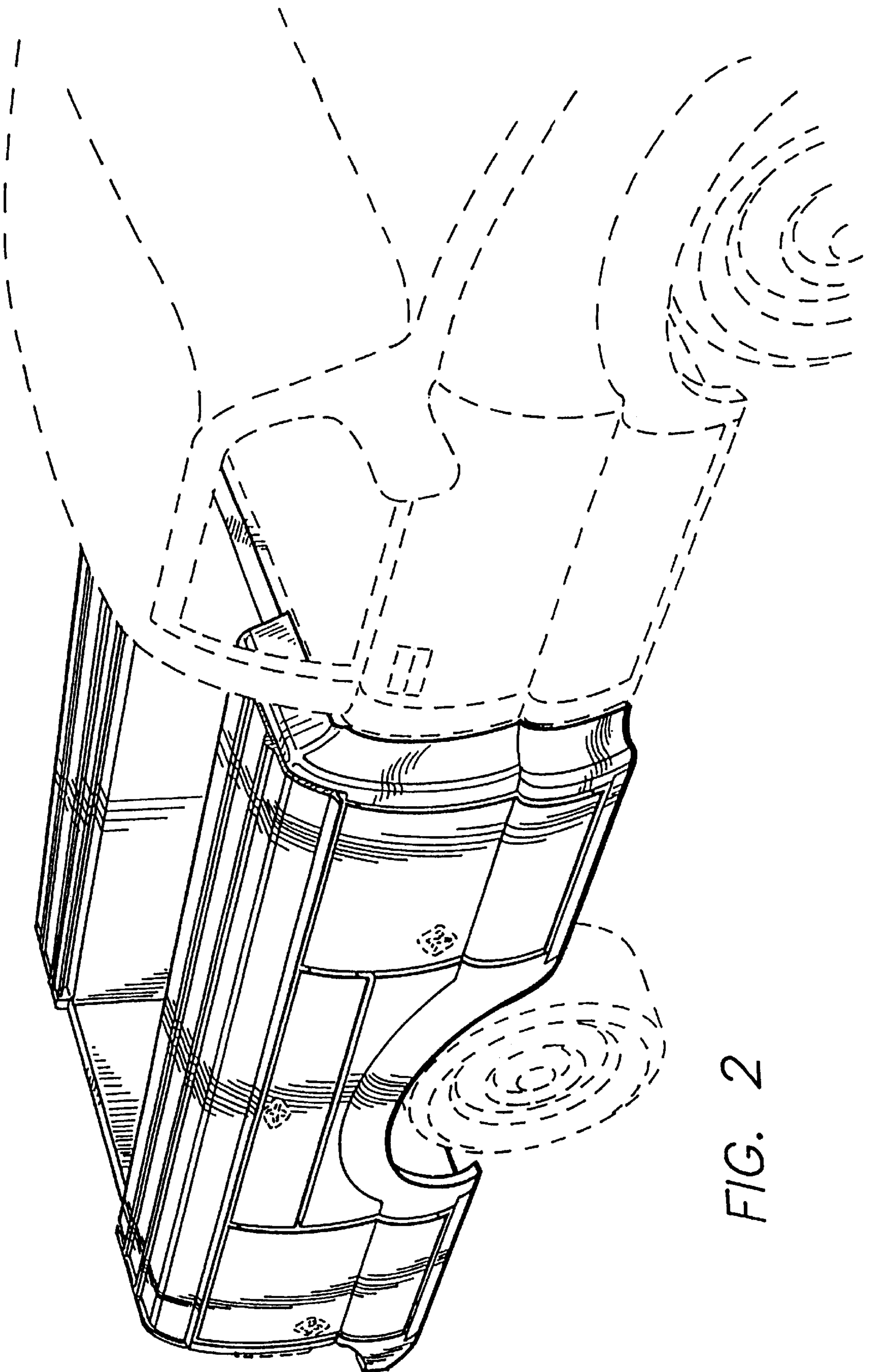


FIG. 2

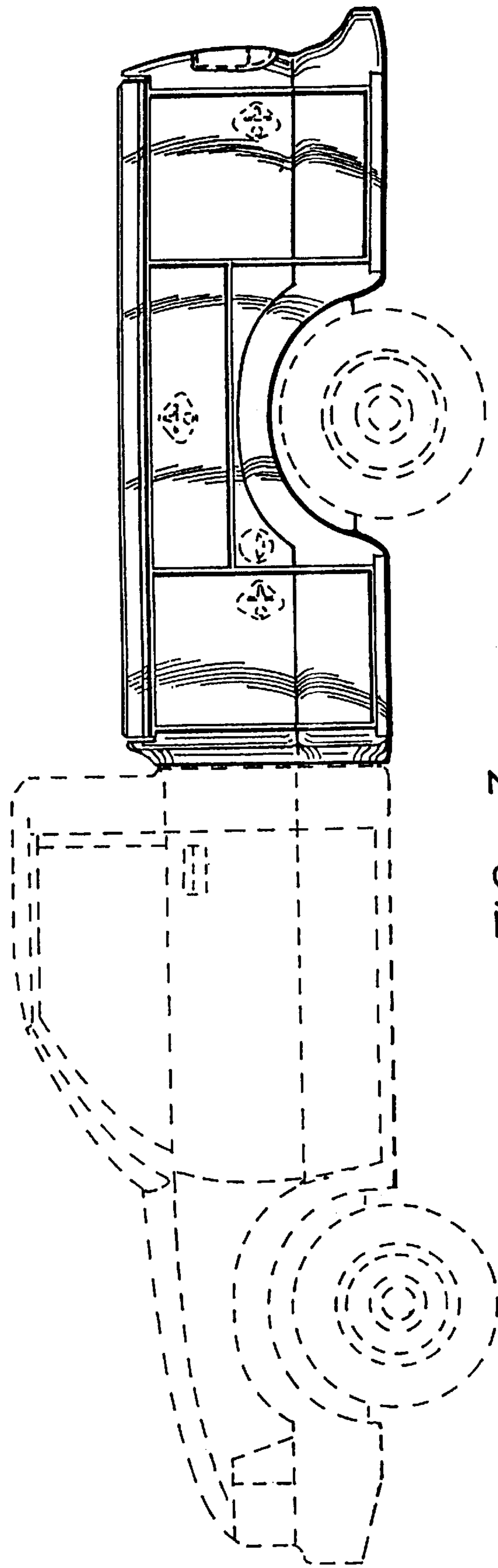


FIG. 3

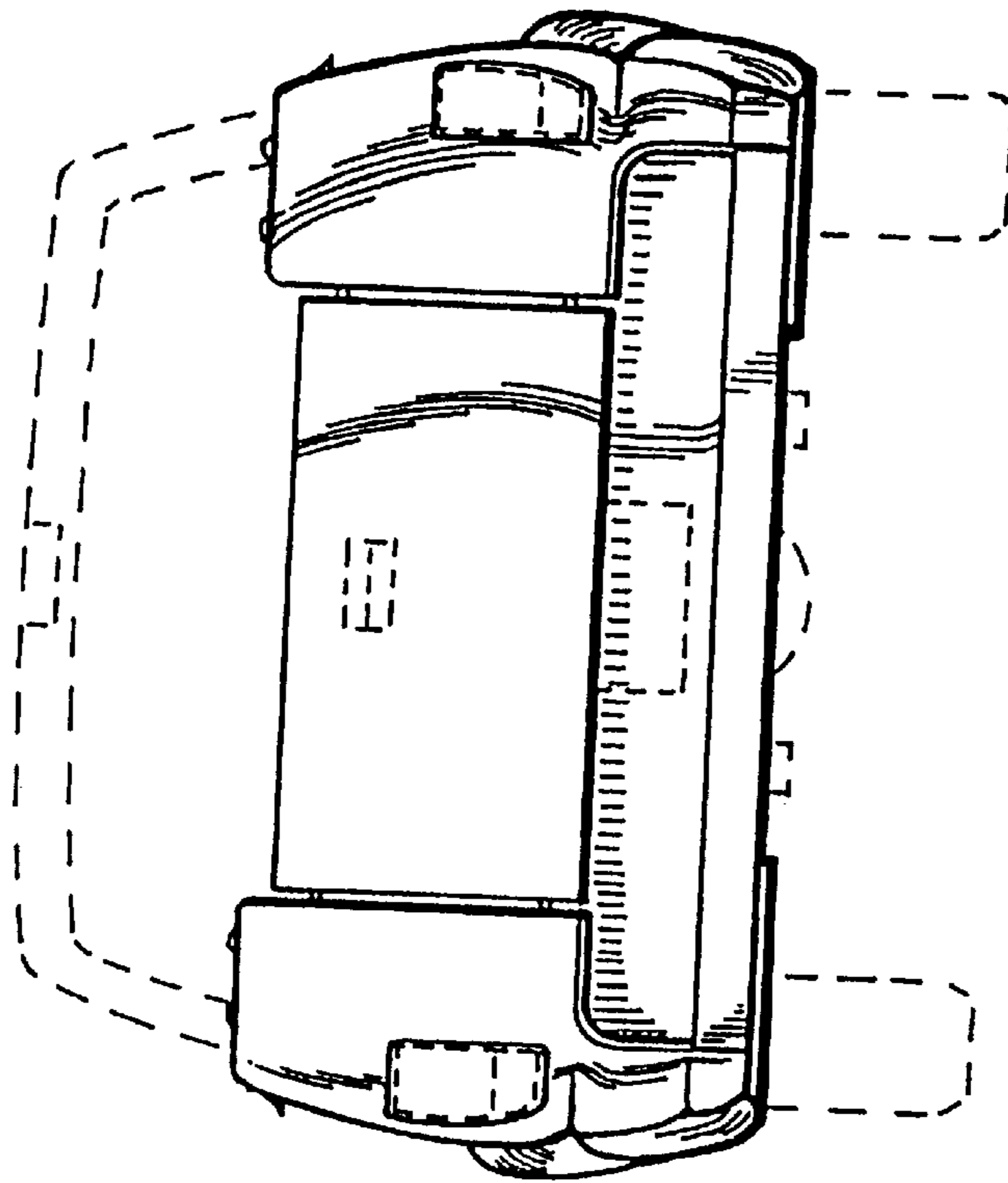


FIG. 5

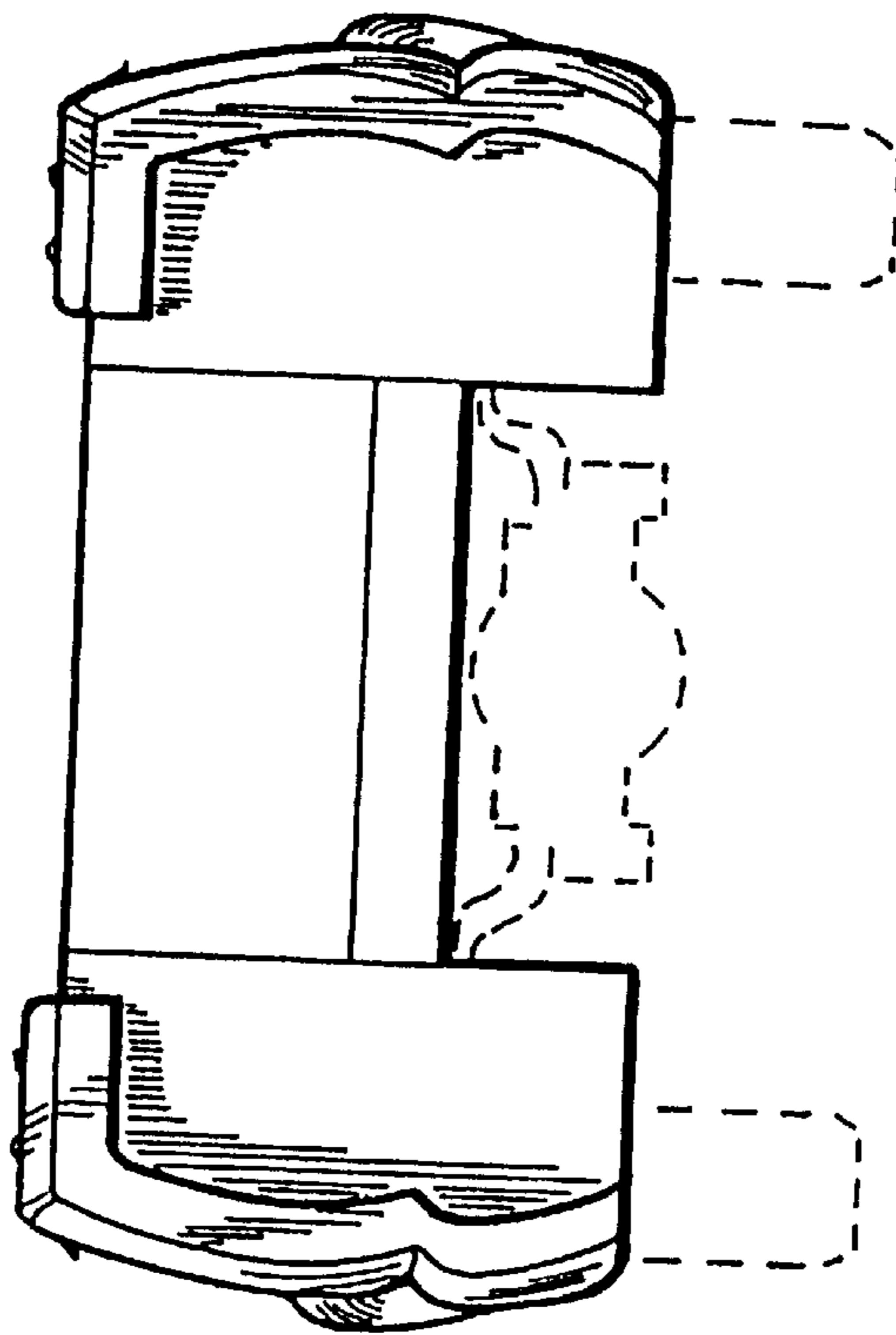


FIG. 4

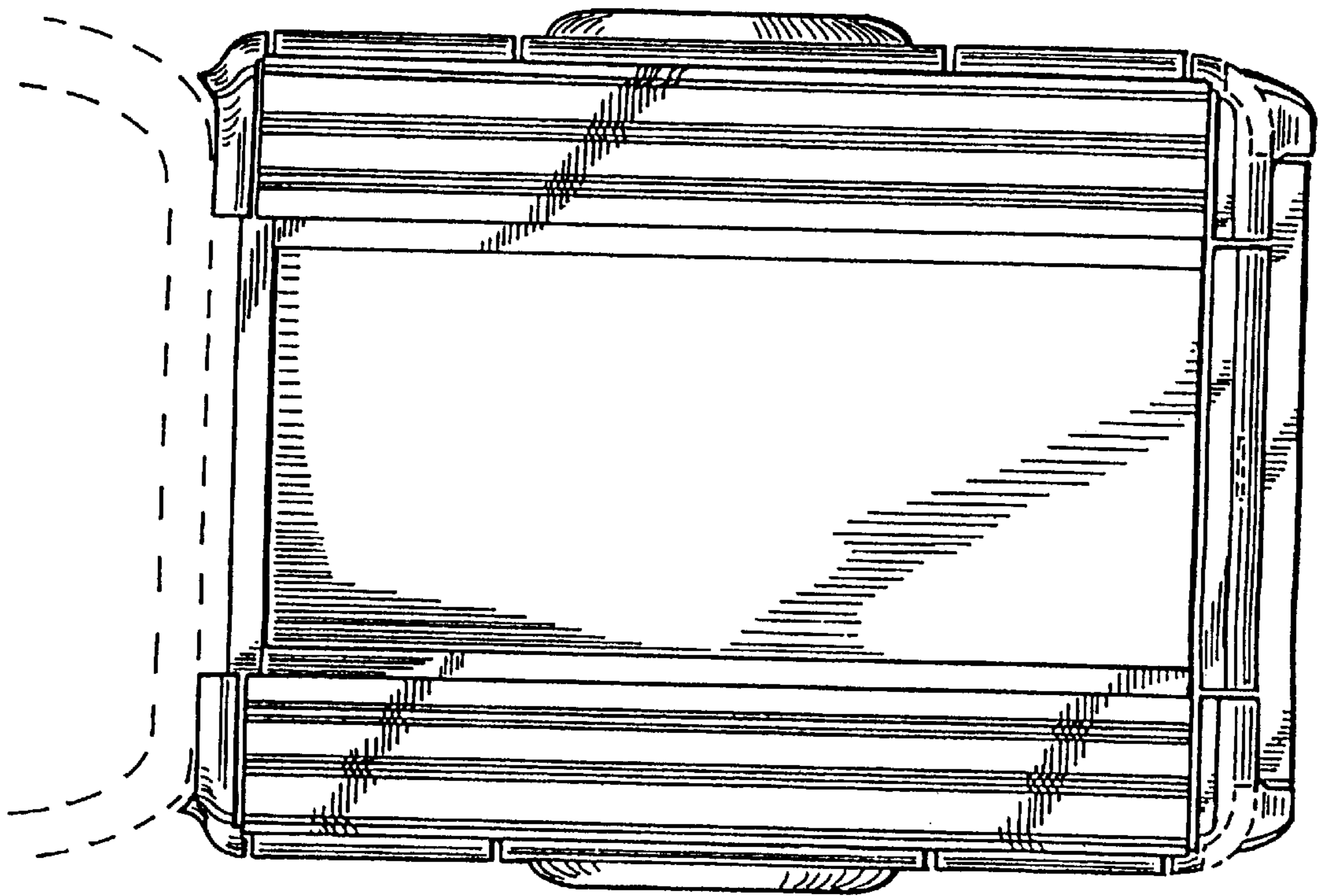


FIG. 7

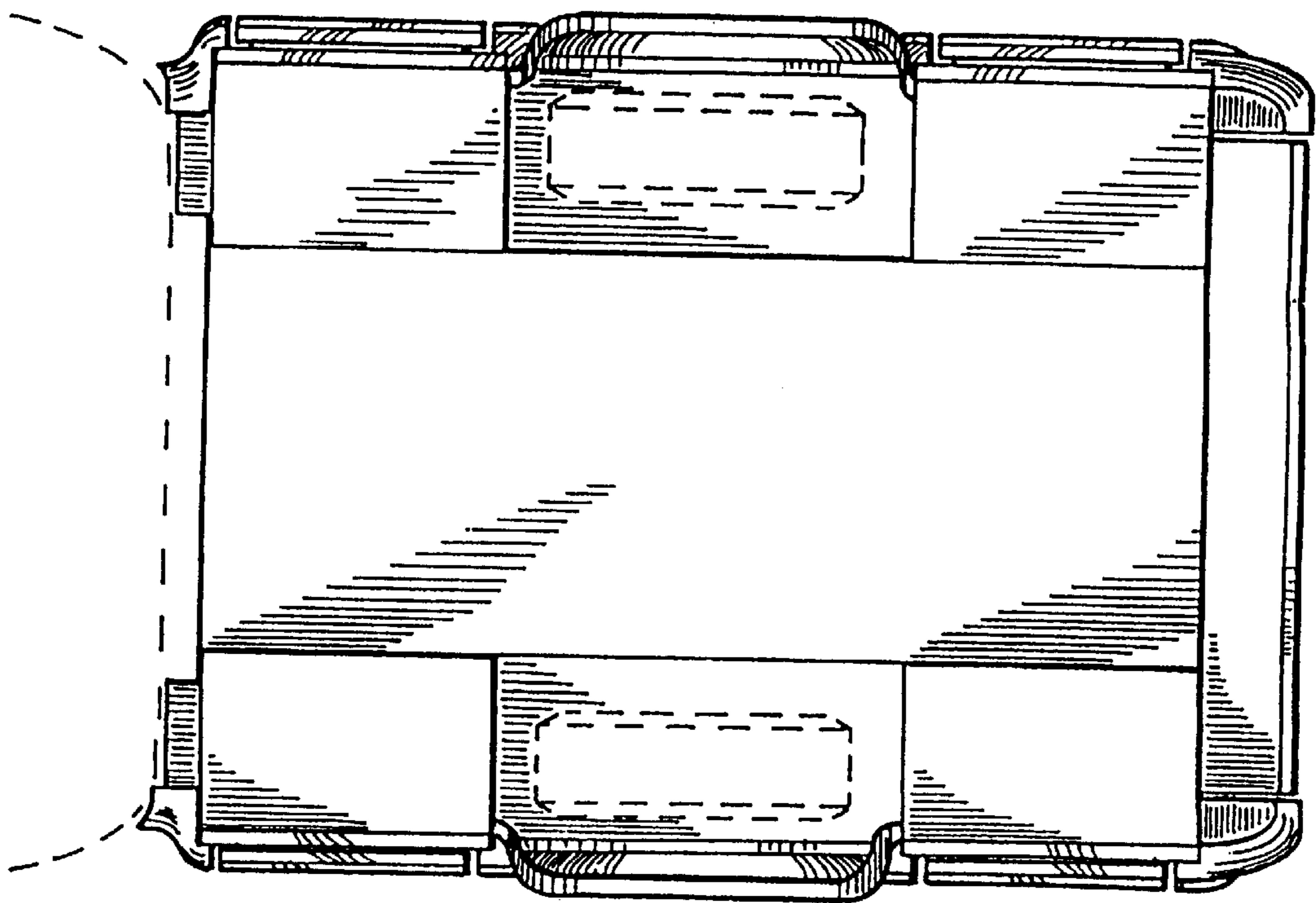


FIG. 6