



US00D414134S

# United States Patent [19]

Ikeda

[11] Patent Number: **Des. 414,134**

[45] Date of Patent: **\*\* Sep. 21, 1999**

[54] **VEHICLE BODY**

[75] Inventor: **Jon Y. Ikeda**, Long Beach, Calif.

[73] Assignee: **Honda Giken Kogyo Kabushiki Kaisha**, Tokyo, Japan

[\*\*] Term: **14 Years**

[21] Appl. No.: **29/098,521**

[22] Filed: **Dec. 30, 1998**

[51] **LOC (6) Cl.** ..... **12-08**

[52] **U.S. Cl.** ..... **D12/91**

[58] **Field of Search** ..... D12/90-92; 296/185

[56] **References Cited**

**U.S. PATENT DOCUMENTS**

- D. 340,010 10/1993 Guedon .
- D. 347,198 5/1994 Semple .
- D. 356,057 3/1995 Sacco et al. .
- D. 360,606 7/1995 Holmes et al. .
- D. 362,831 10/1995 Minowa et al. .
- D. 391,898 3/1998 Yoshikawa et al. .
- D. 403,989 1/1999 Honda et al. .... D12/91

**FOREIGN PATENT DOCUMENTS**

773013 7/1989 Japan .

*Primary Examiner*—Melody N. Brown  
*Attorney, Agent, or Firm*—Banner & Witcoff, Ltd.

[57] **CLAIM**

The ornamental design for a vehicle body, as shown and described.

**DESCRIPTION**

FIG. 1 is a side elevational view of a vehicle body showing my new design with the other side being a mirror image thereof;

FIG. 2 is a front elevational view thereof;

FIG. 3 is a rear elevational view thereof;

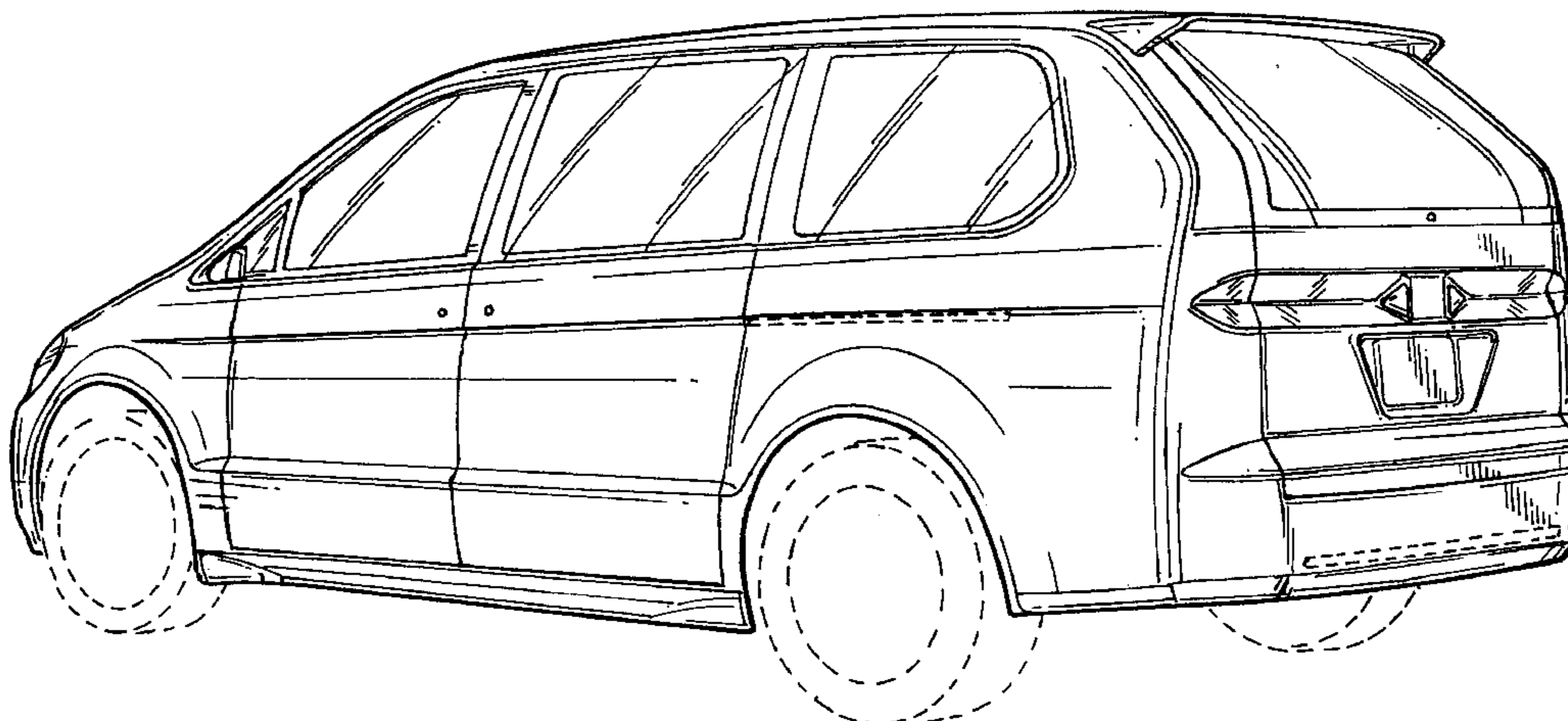
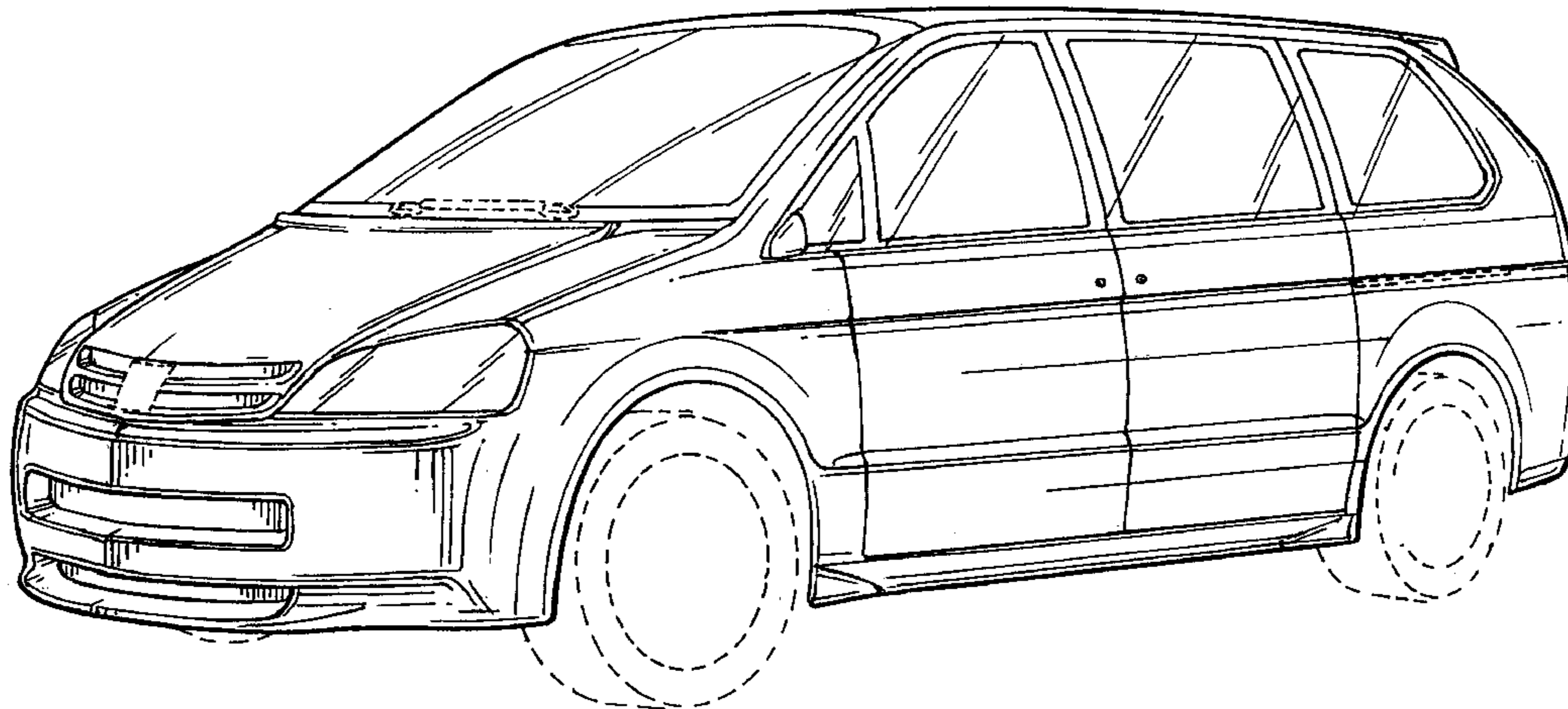
FIG. 4 is a top plan view thereof;

FIG. 5 is a front perspective view thereof; and,

FIG. 6 is a rear perspective view thereof.

The broken line showing of portions of the vehicle body and the wheels is for illustrative purposes only and forms no part of the claimed design.

**1 Claim, 5 Drawing Sheets**



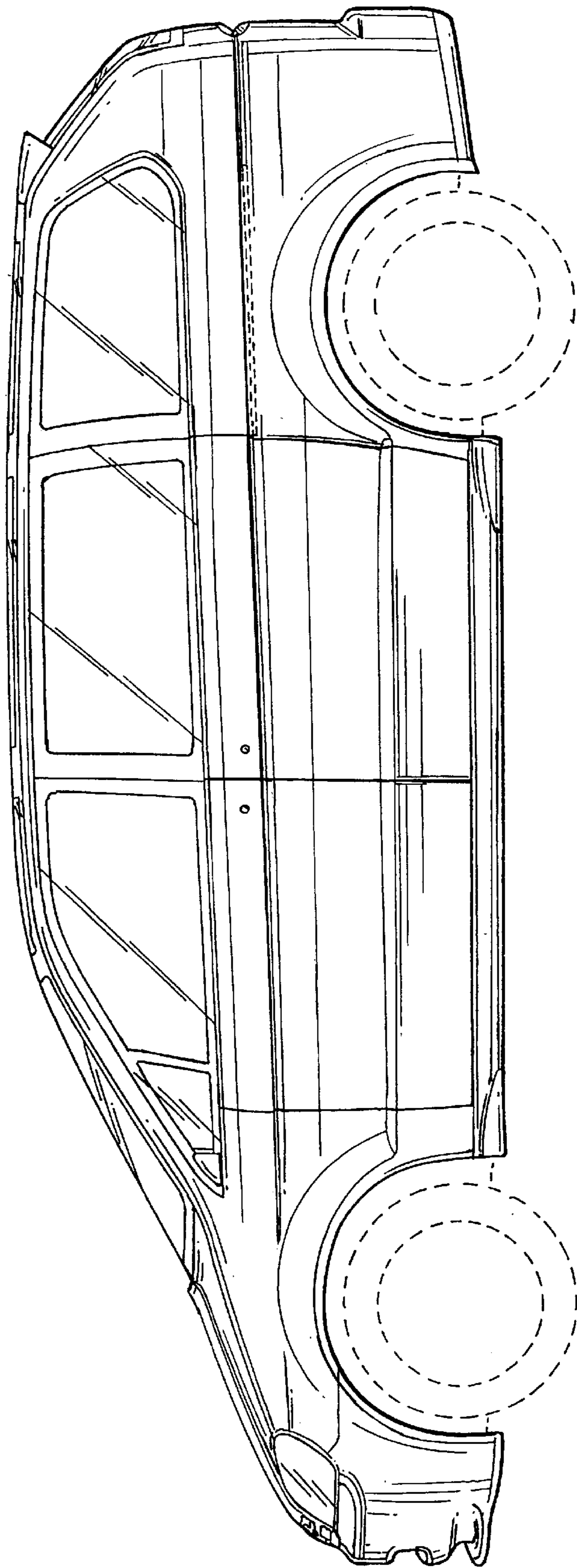


FIG. 1

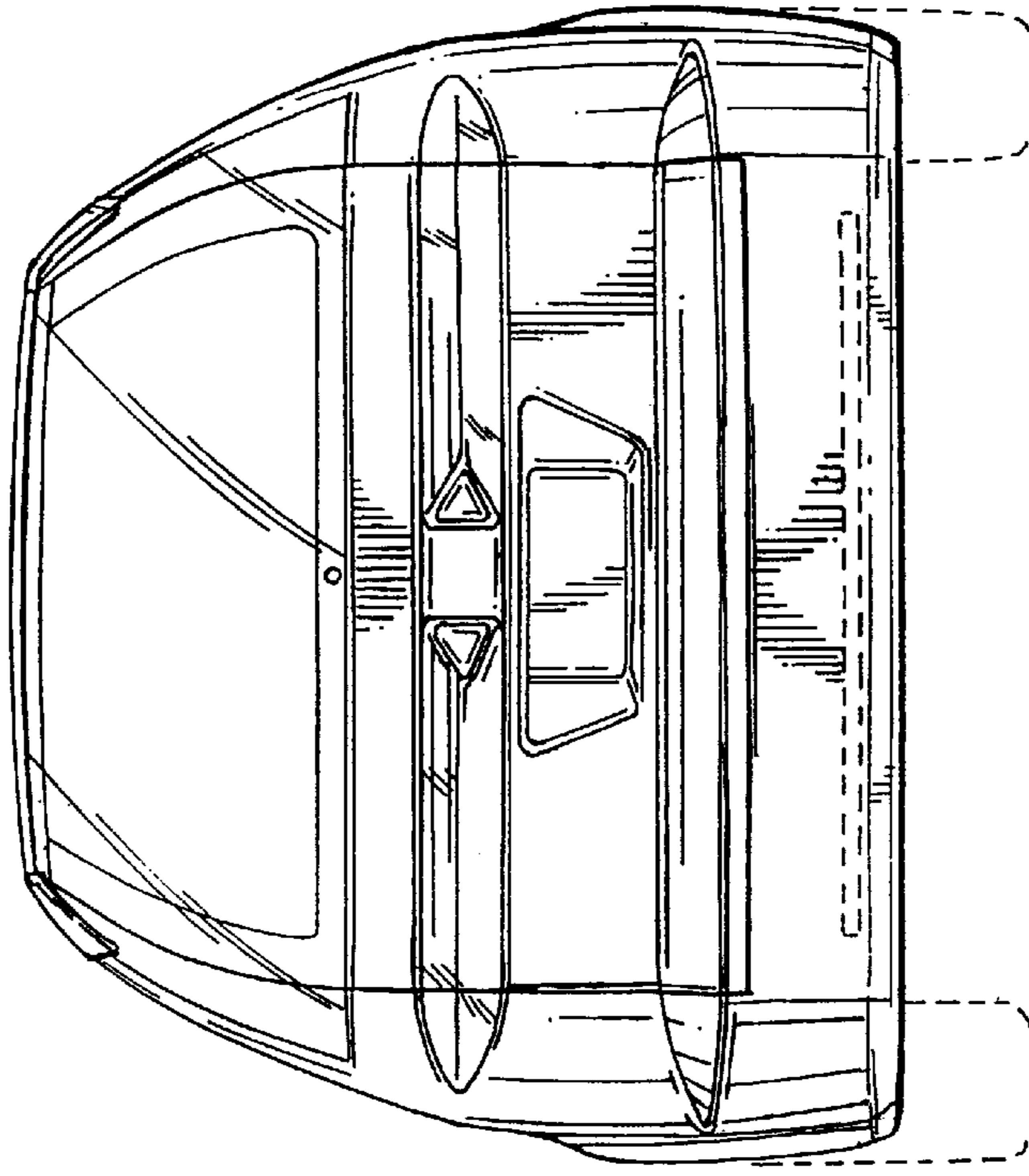


FIG. 2

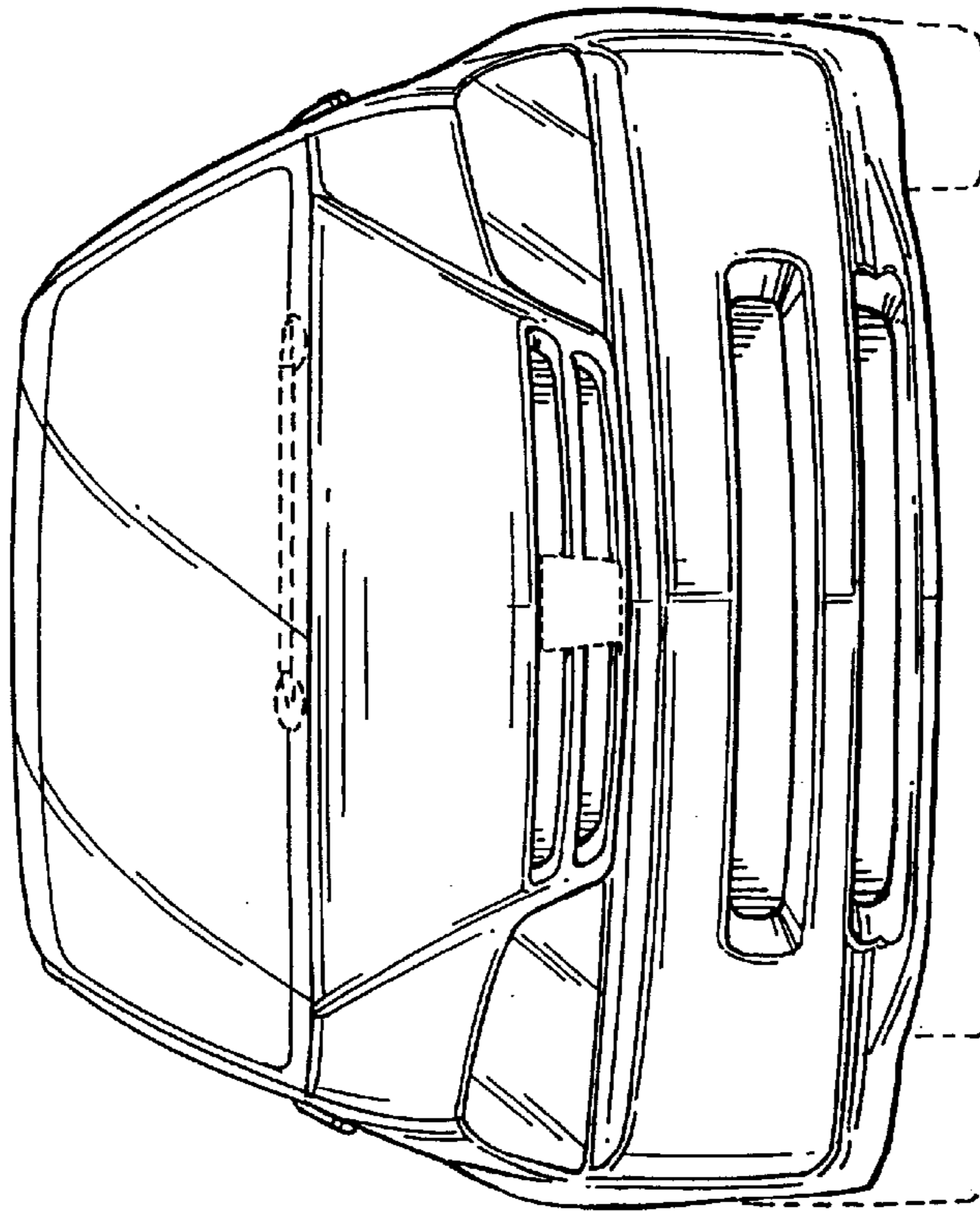


FIG. 3

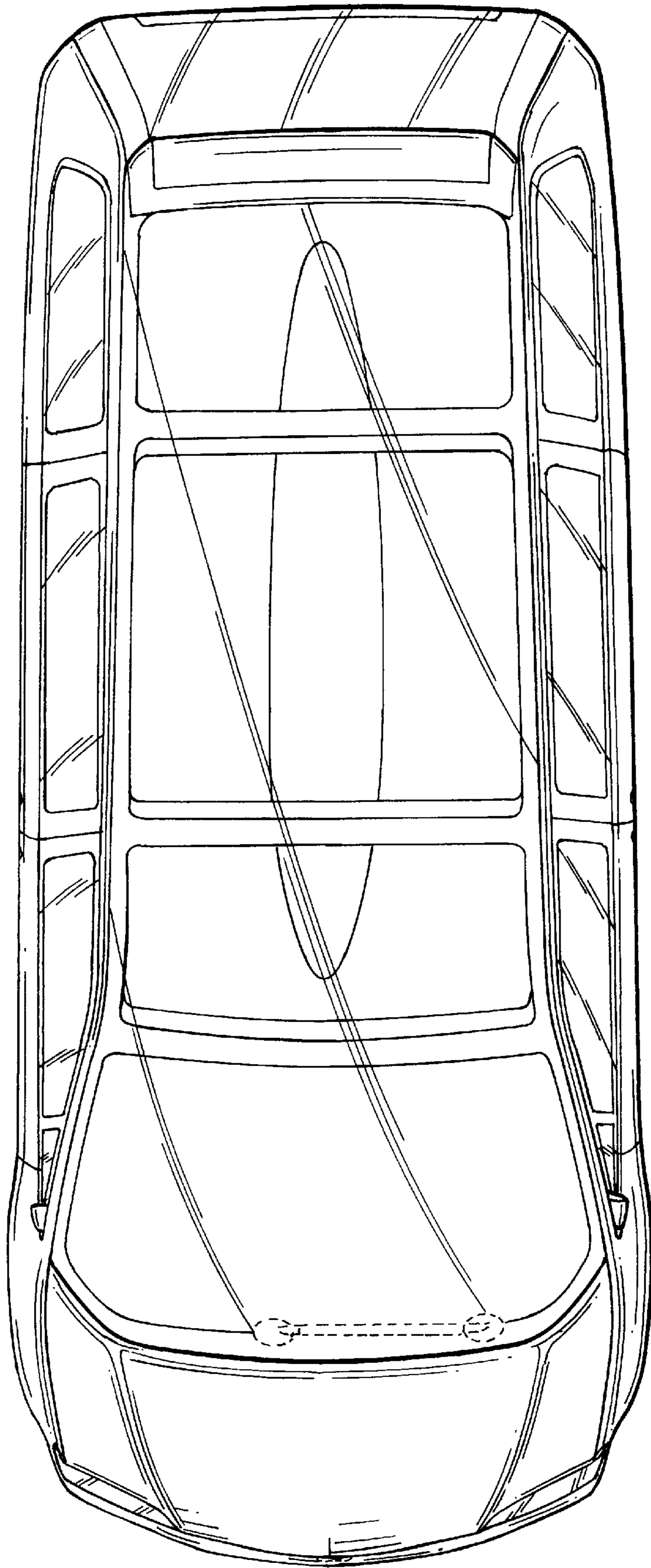


FIG. 4

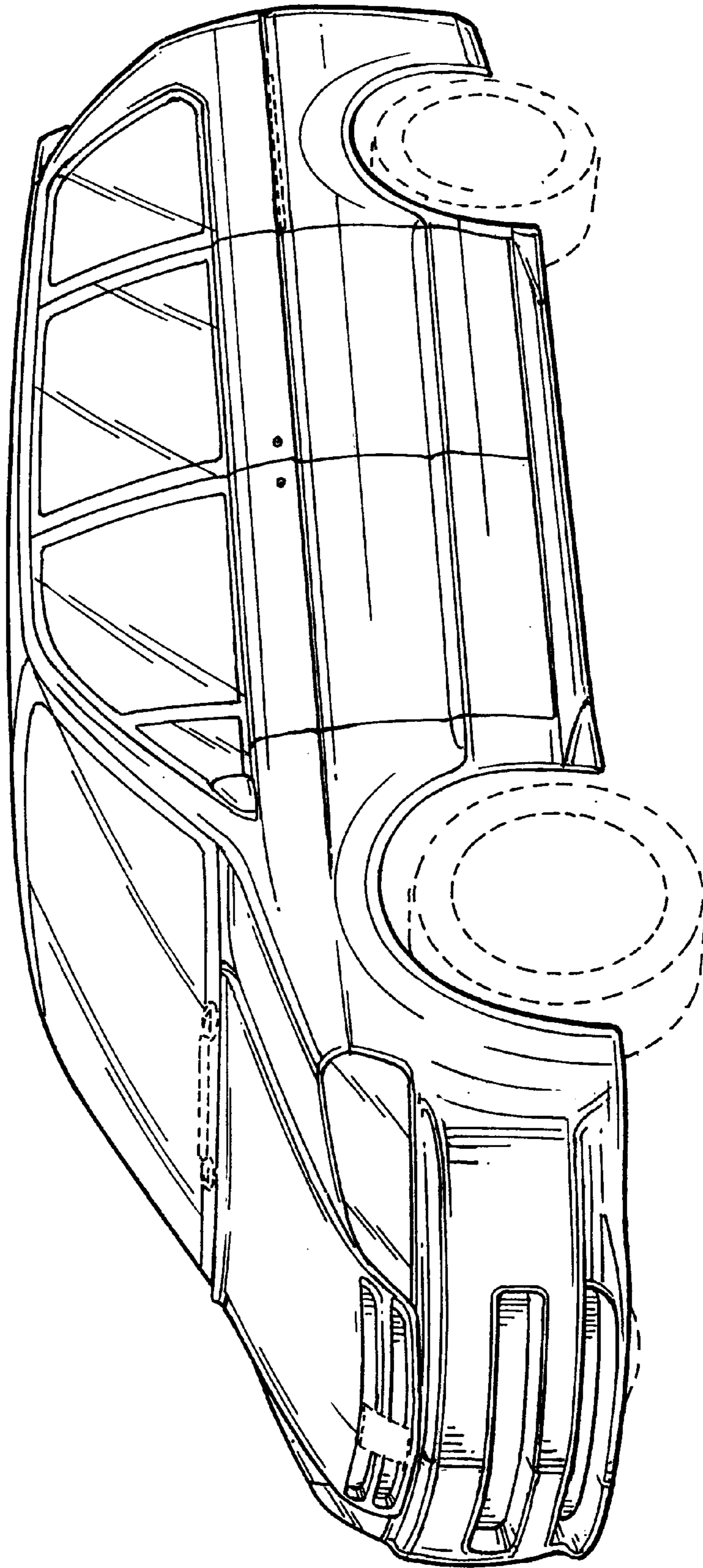


FIG. 5

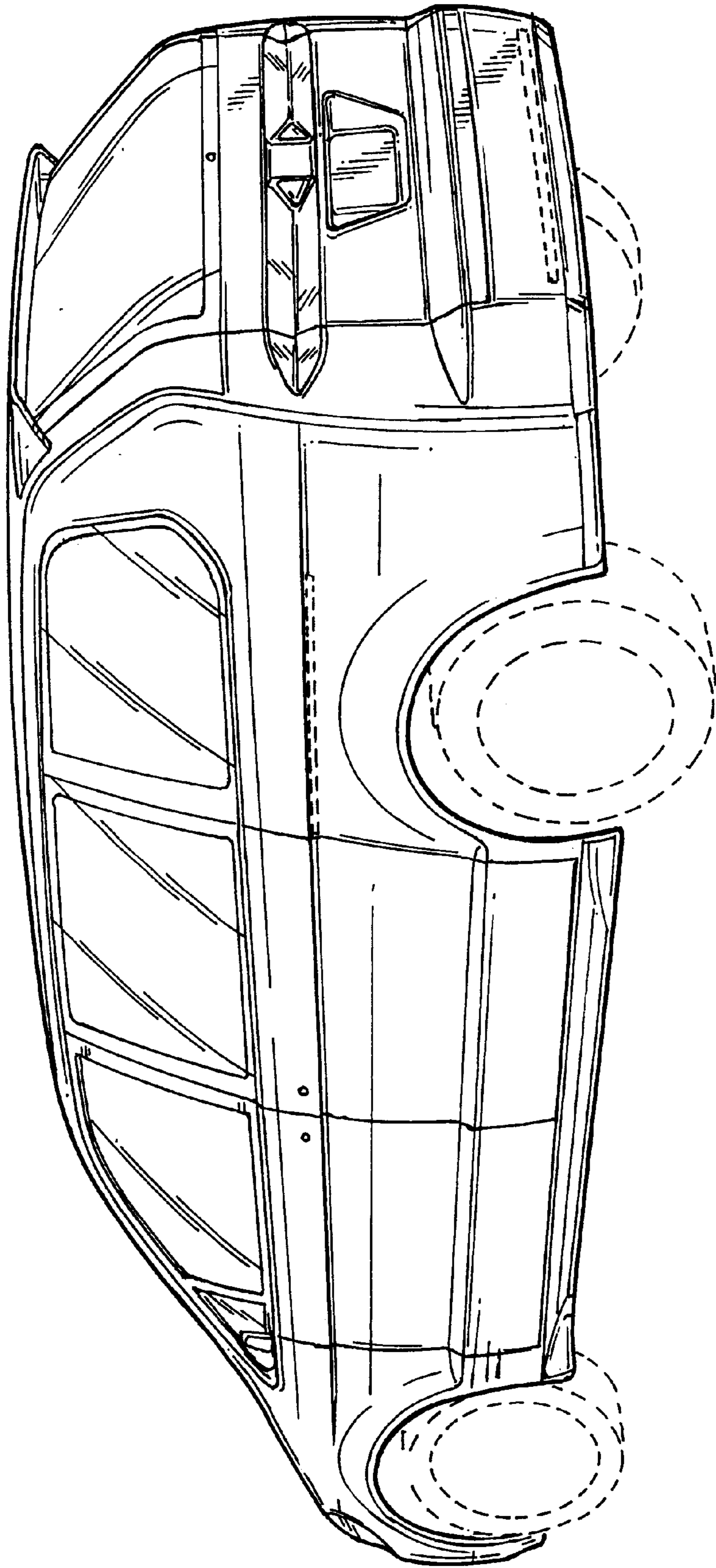


FIG. 6