



US00D414119S

United States Patent [19] Hargrove, III

[11] Patent Number: **Des. 414,119**

[45] Date of Patent: **** Sep. 21, 1999**

[54] **CLOCK**

[75] Inventor: **Walter Edward Hargrove, III**, Athens, Ga.

[73] Assignee: **GTC Properties, Inc.**, Wilmington, Del.

[**] Term: **14 Years**

[21] Appl. No.: **29/097,949**

[22] Filed: **Dec. 18, 1998**

[51] **LOC (6) Cl.** **10-01**

[52] **U.S. Cl.** **D10/15; D10/28**

[58] **Field of Search** D10/1-40, 122-132;
368/280-282, 276-277, 28-30, 285, 239-242,
82-84, 41-44

[56] **References Cited**

U.S. PATENT DOCUMENTS

D. 254,601 4/1980 Talesfore D10/15

D. 270,713 9/1983 Thaler D10/15
D. 366,424 1/1996 Wong D10/15
D. 394,213 5/1998 Plogman D10/15

Primary Examiner—Nelson C. Holtje
Attorney, Agent, or Firm—Jones, Day, Reavis & Pogue

[57] **CLAIM**

The ornamental design for a clock, as shown and described.

DESCRIPTION

FIG. 1 is a perspective view of the clock of the present invention;
FIG. 2 is a front elevational view of the clock of FIG. 1;
FIG. 3 is a top plan view of the clock of FIG. 1; and,
FIG. 4 is a right side elevational view of the clock of FIG. 1, the left side view being a mirror image thereof.
The broken line showing of “feet” of FIGS. 2 and 4 is for environmental purposes only and forms no part of the claimed design.

1 Claim, 2 Drawing Sheets

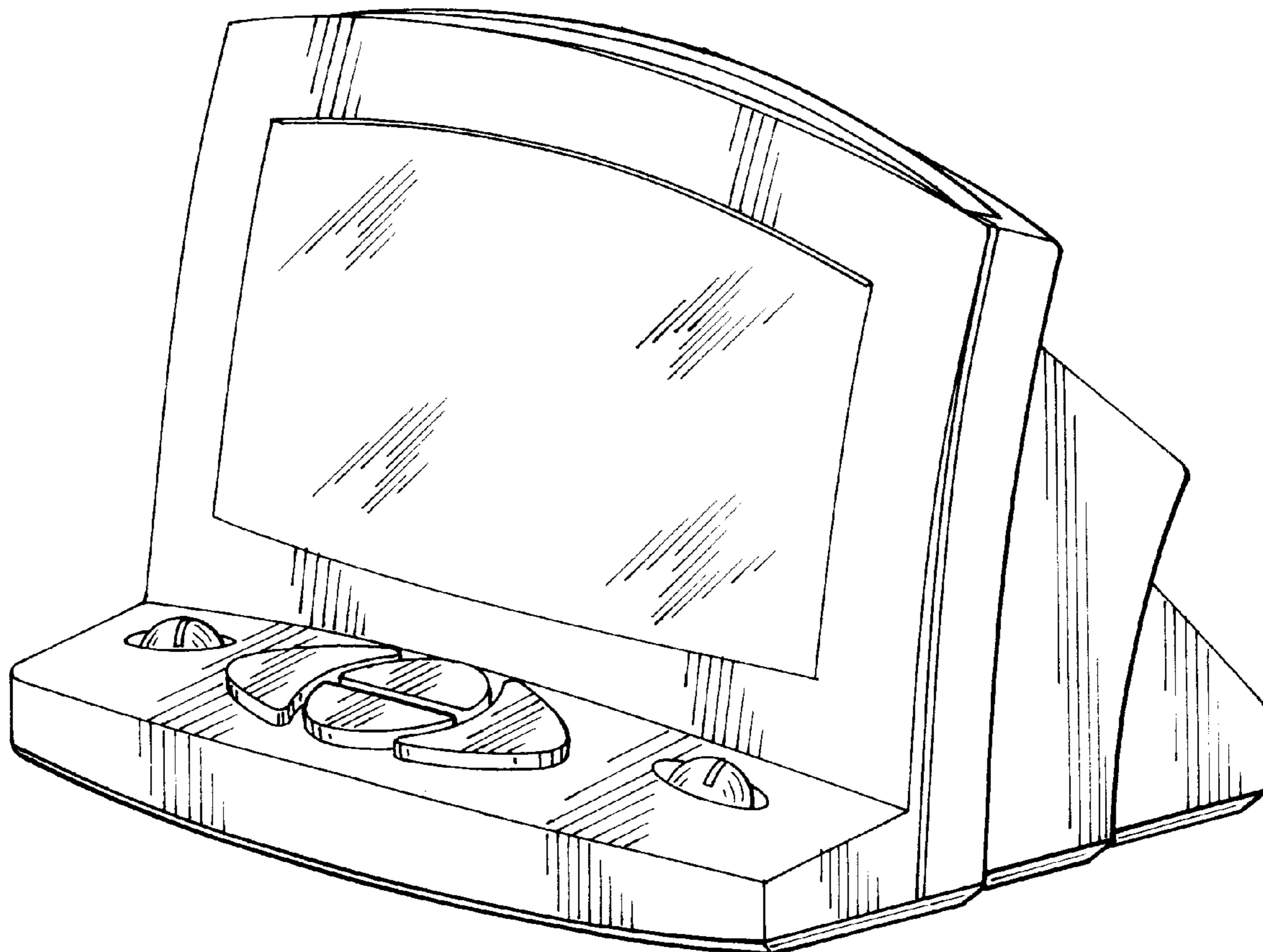


FIG.1

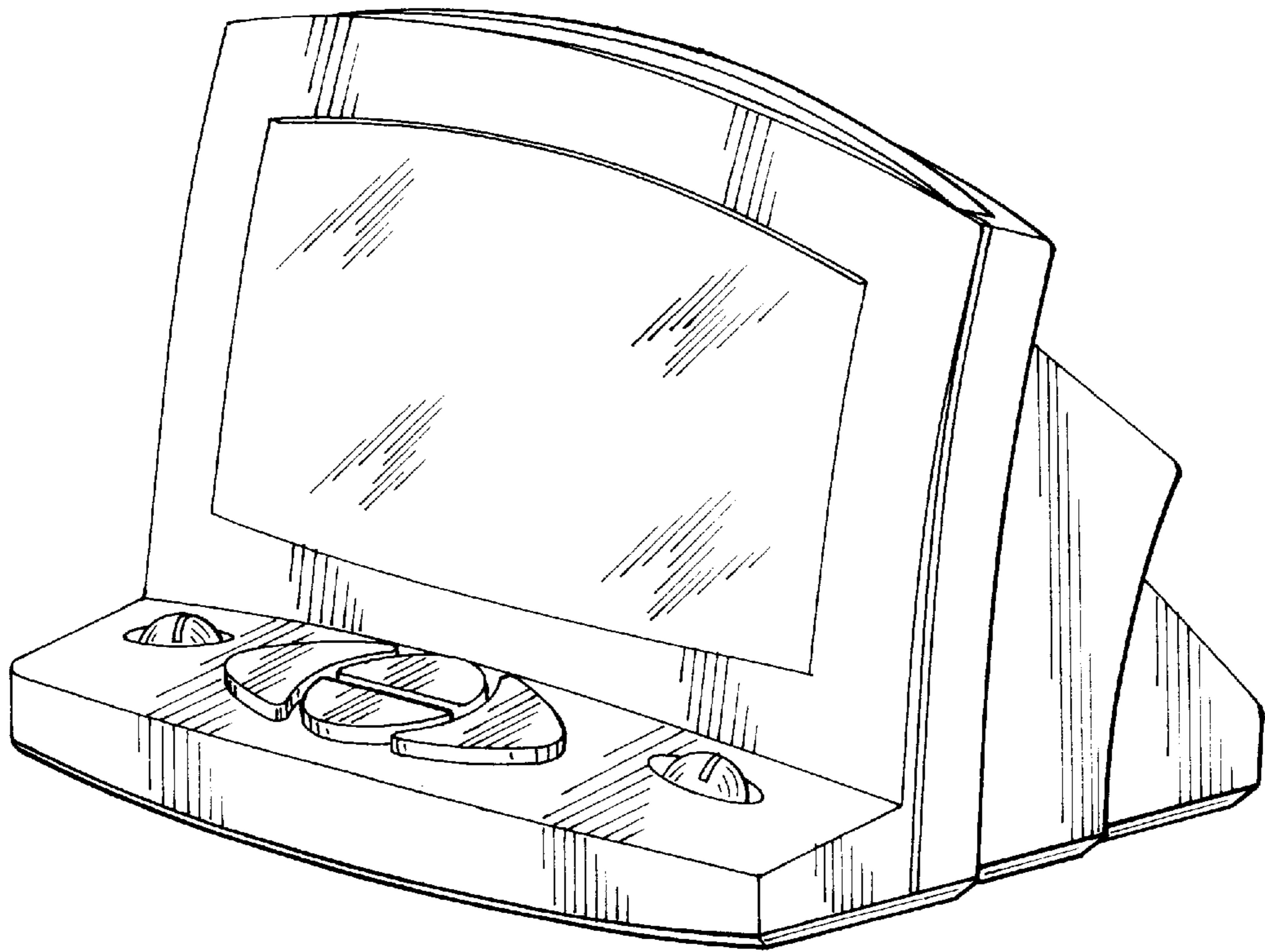


FIG.2

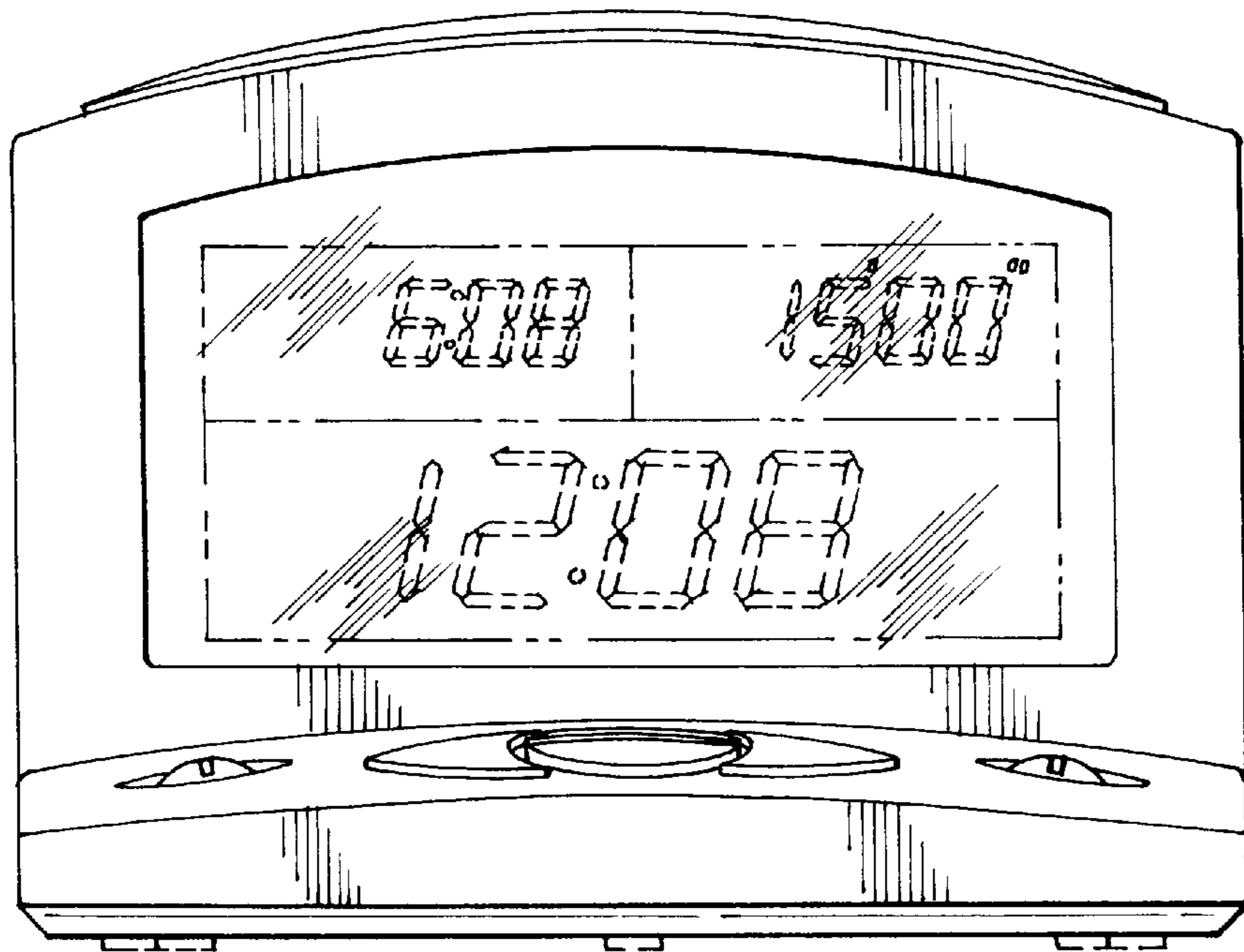


FIG.3

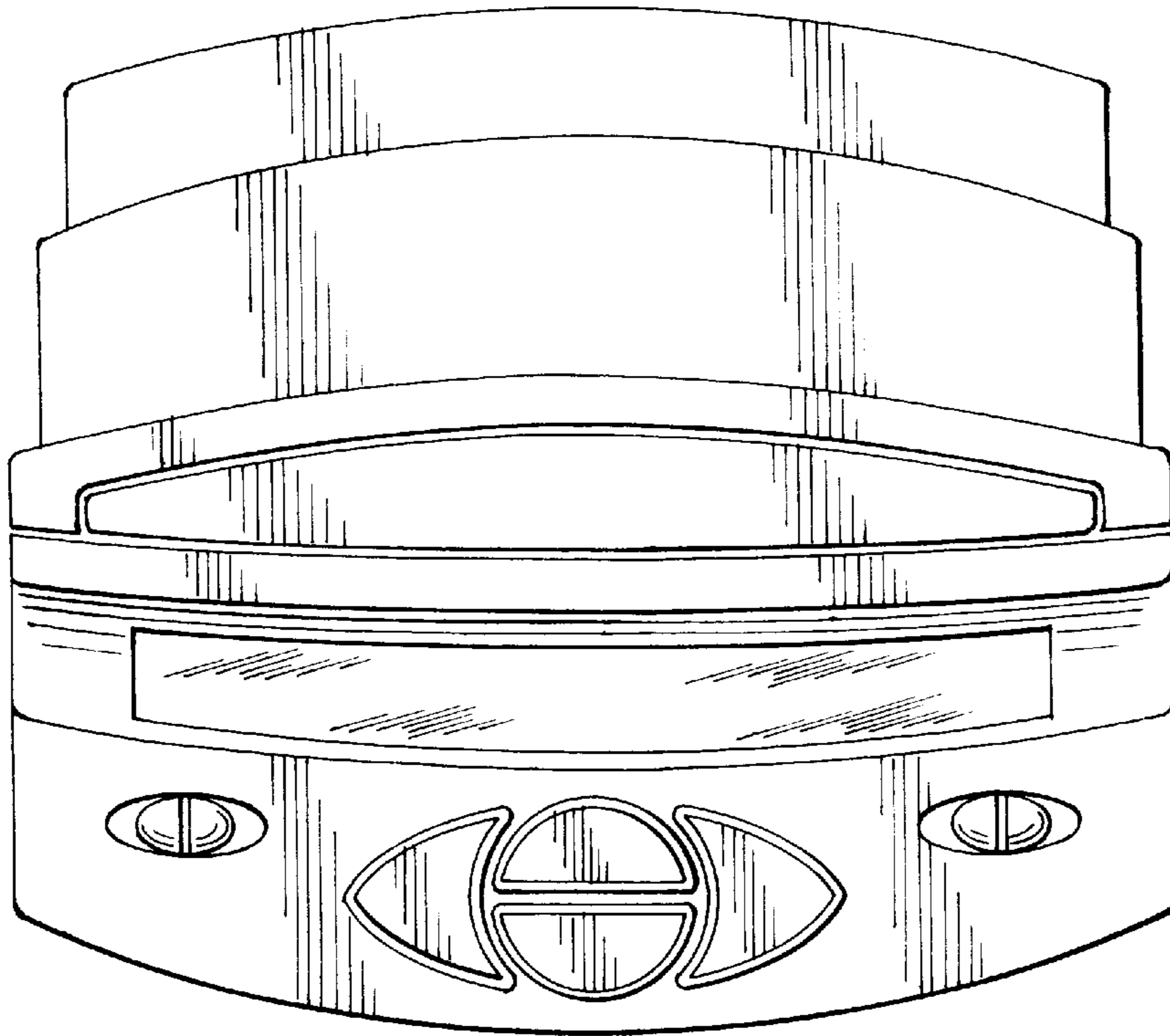


FIG.4

